



US00D766830S

(12) **United States Design Patent** (10) **Patent No.:** **US D766,830 S**  
**Parks** (45) **Date of Patent:** **\*\* Sep. 20, 2016**

- (54) **AUTOMOTIVE PLUG AND ASSOCIATED BRACKETING**
- (71) Applicant: **Dave Parks**, Cottonwood Heights, UT (US)
- (72) Inventor: **Dave Parks**, Cottonwood Heights, UT (US)
- (73) Assignee: **Dave Parks**, Cottonwood Heights, UT (US)
- (\*\*) Term: **15 Years**
- (21) Appl. No.: **29/530,977**
- (22) Filed: **Jun. 22, 2015**
- (51) **LOC (10) Cl.** ..... **13-03**
- (52) **U.S. Cl.**  
USPC ..... **D13/133; D13/137.1**
- (58) **Field of Classification Search**  
USPC ..... D13/101, 107, 112, 113, 118, 120, 123, D13/129-135, 149, 151, 154, 173, 184, 199  
CPC ..... H01R 33/00; H01R 13/00; H01R 13/44; H01R 13/62; H01R 13/63; H01H 9/00; H01H 9/02; H02G 3/14; H02J 7/00; H02B 1/01; F02N 17/00; B60L 1/02  
See application file for complete search history.

|                 |         |                   |                         |
|-----------------|---------|-------------------|-------------------------|
| 5,803,216 A     | 9/1998  | McNaught          |                         |
| D399,187 S *    | 10/1998 | Kay .....         | D13/146                 |
| 5,919,048 A     | 7/1999  | Slattery          |                         |
| 6,205,967 B1    | 3/2001  | Alvine            |                         |
| D449,581 S *    | 10/2001 | Bosatelli .....   | D13/146                 |
| 6,749,438 B1 *  | 6/2004  | Scheller .....    | B60D 1/62<br>439/35     |
| 6,854,575 B1    | 2/2005  | Desormeaux et al. |                         |
| 7,022,943 B1    | 4/2006  | Barta             |                         |
| 7,554,034 B2 *  | 6/2009  | Smith .....       | H01R 13/5213<br>174/135 |
| D602,433 S *    | 10/2009 | Katou .....       | D13/120                 |
| D614,573 S *    | 4/2010  | Ihde .....        | D12/162                 |
| 7,753,701 B2    | 7/2010  | Tsuji             |                         |
| 8,011,704 B2    | 9/2011  | Nees et al.       |                         |
| D646,224 S *    | 10/2011 | Guo .....         | D13/147                 |
| D698,729 S *    | 2/2014  | Fukushima .....   | D13/146                 |
| 2011/0267797 A1 | 11/2011 | Clark et al.      |                         |
| 2014/0262665 A1 | 9/2014  | Giles             |                         |

\* cited by examiner

*Primary Examiner* — Thomas Johannes  
*Assistant Examiner* — Shawn T Gingrich  
(74) *Attorney, Agent, or Firm* — Thorpe North & Western

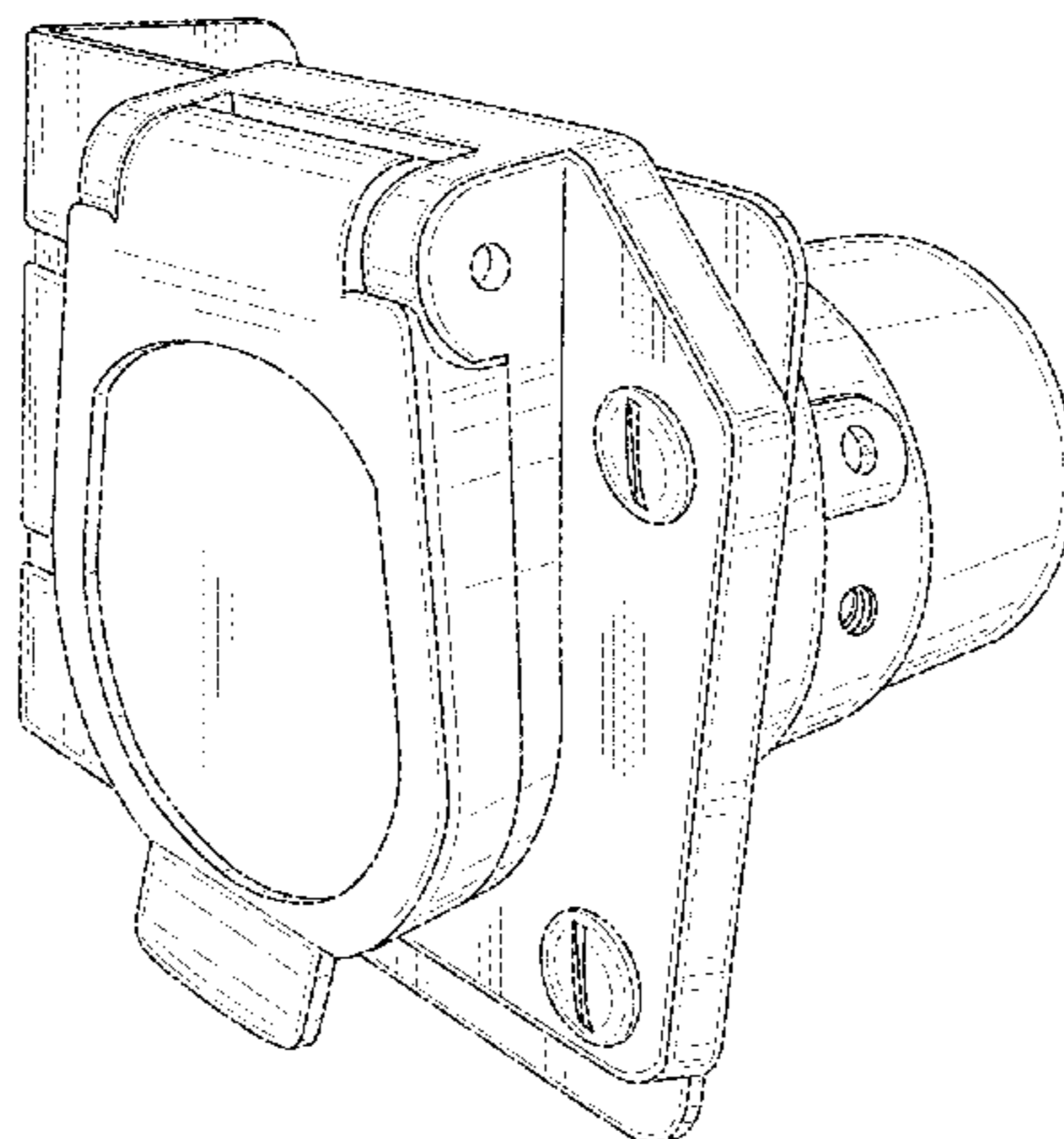
(57) **CLAIM**  
The ornamental design for the automotive plug and associated bracketing, as shown and described.

**DESCRIPTION**

FIG. 1 is a perspective view of my automotive plug and associated bracketing in accordance with my invention; FIG. 2 is a front view thereof; FIG. 3 is a rear view thereof; FIG. 4 is a side view thereof; FIG. 5 is an opposing side view thereof; FIG. 6 is a top view thereof; and, FIG. 7 is a bottom view thereof. The broken line portion of the figure drawings is included to show portions of the article that form no part of the claimed design.

**1 Claim, 7 Drawing Sheets**

- (56) **References Cited**  
U.S. PATENT DOCUMENTS
- |               |         |                 |                      |
|---------------|---------|-----------------|----------------------|
| 3,270,267 A   | 8/1966  | Nolte, Jr.      |                      |
| 4,067,635 A   | 1/1978  | Solberg         |                      |
| 4,829,223 A   | 5/1989  | Broberg et al.  |                      |
| 4,842,108 A   | 6/1989  | Anderson et al. |                      |
| 4,971,576 A   | 11/1990 | Thimmesch       |                      |
| 5,021,633 A   | 6/1991  | Schaefer        |                      |
| 5,252,078 A   | 10/1993 | Langenbahn      |                      |
| D344,490 S *  | 2/1994  | Nociar .....    | D13/146              |
| D361,313 S *  | 8/1995  | Sai .....       | D13/146              |
| 5,538,439 A   | 7/1996  | Fell et al.     |                      |
| D374,212 S *  | 10/1996 | Fukao .....     | D13/146              |
| 5,571,023 A * | 11/1996 | Anthony .....   | H02G 3/14<br>220/242 |



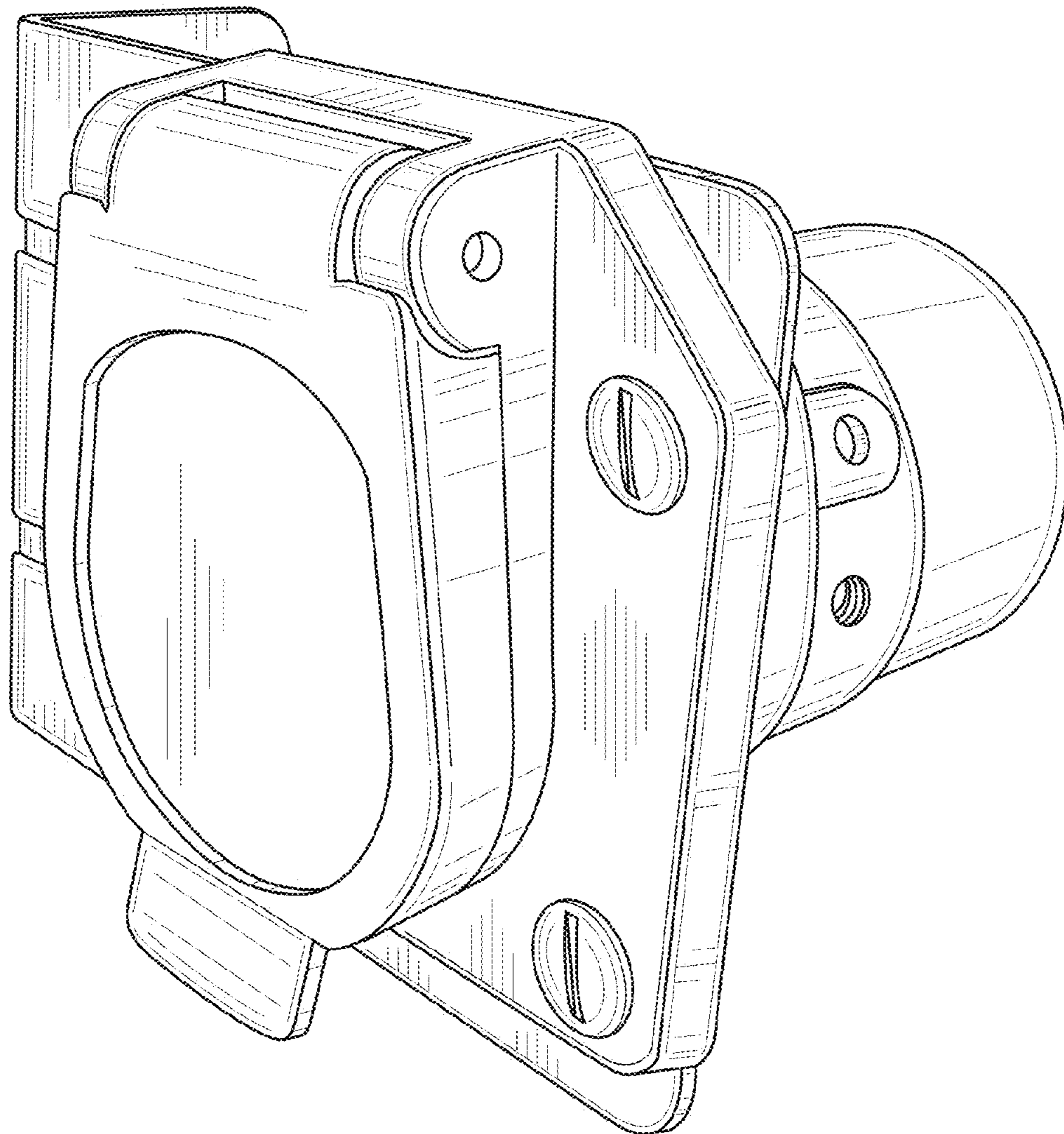


FIG. 1

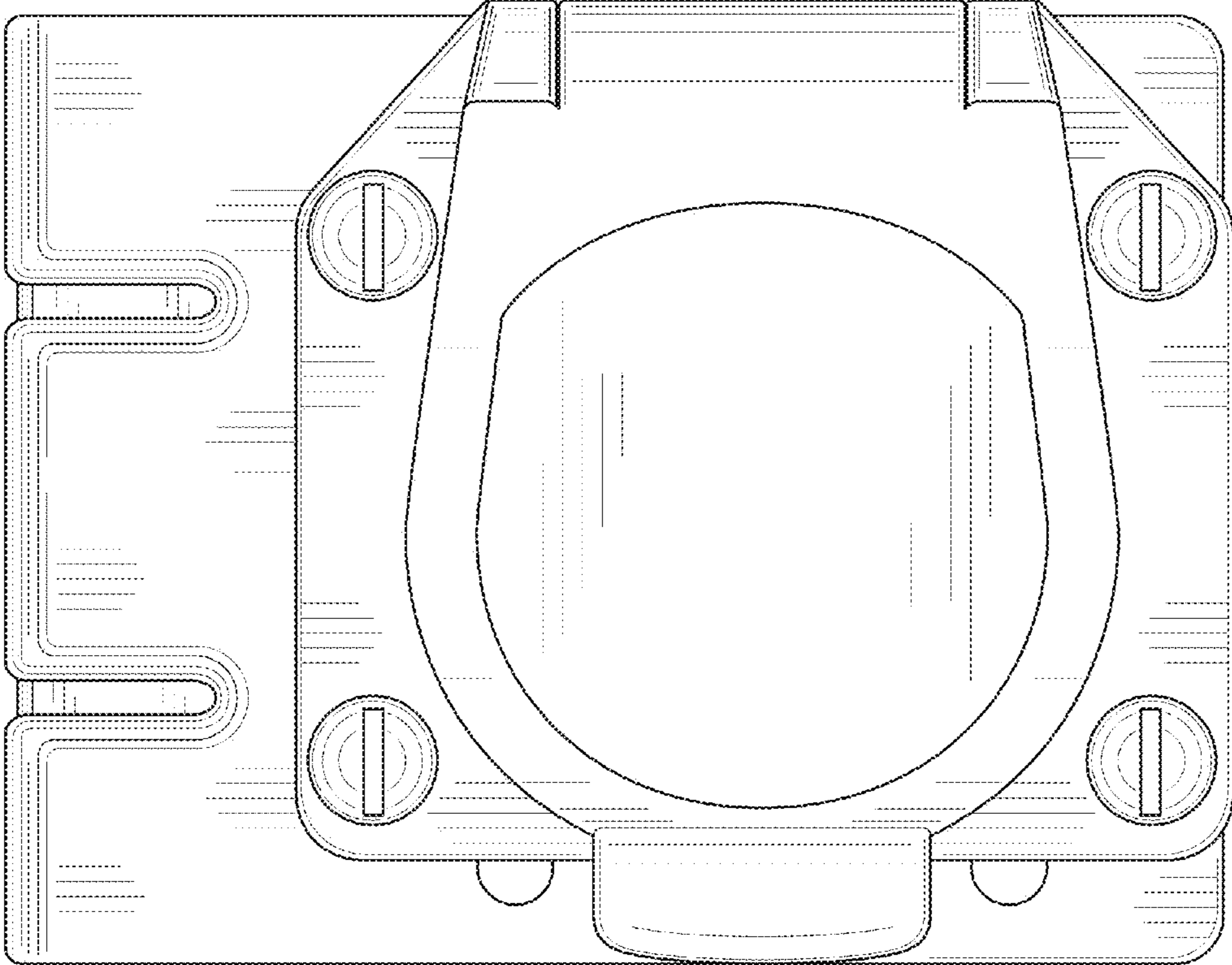


FIG. 2

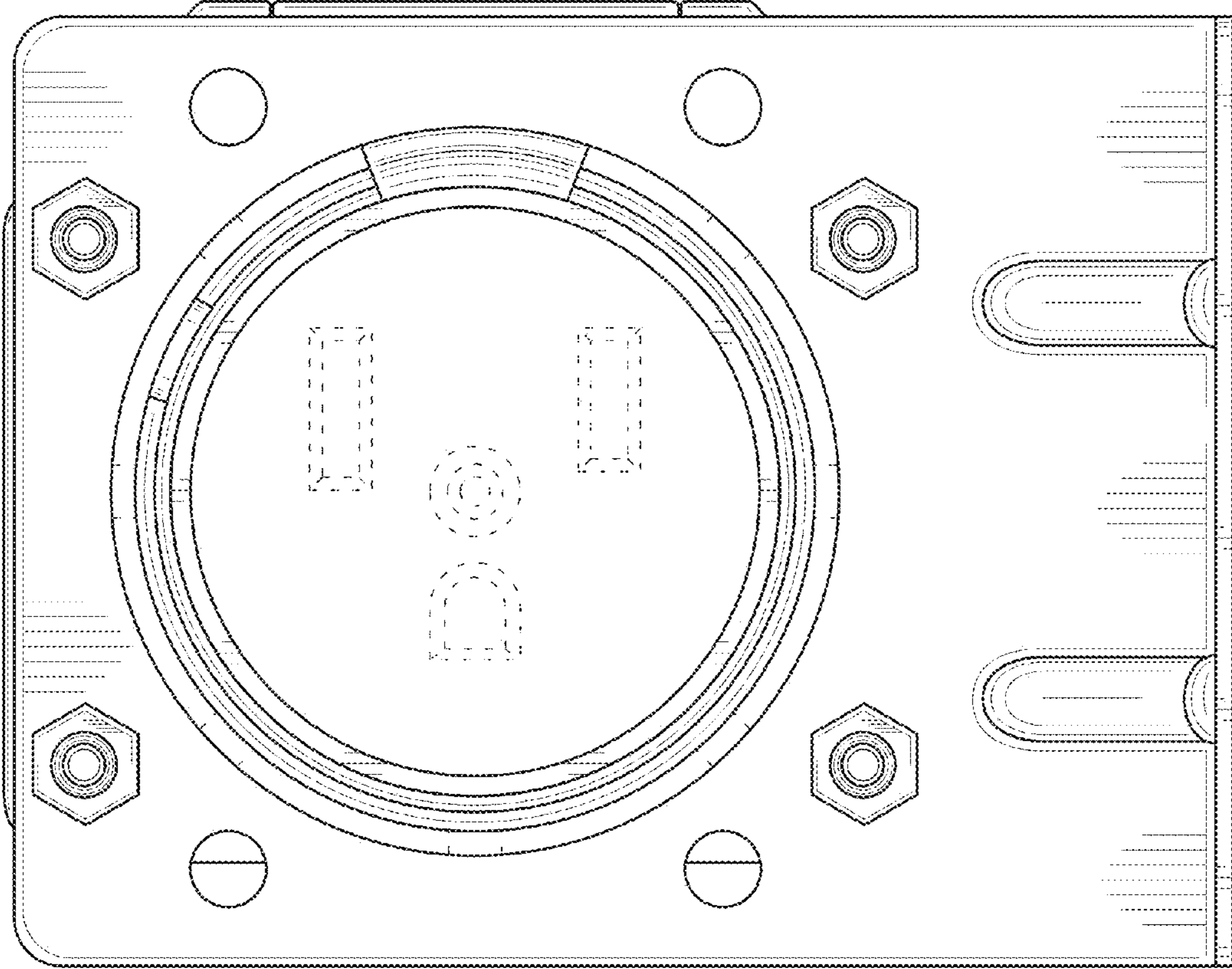


FIG. 3

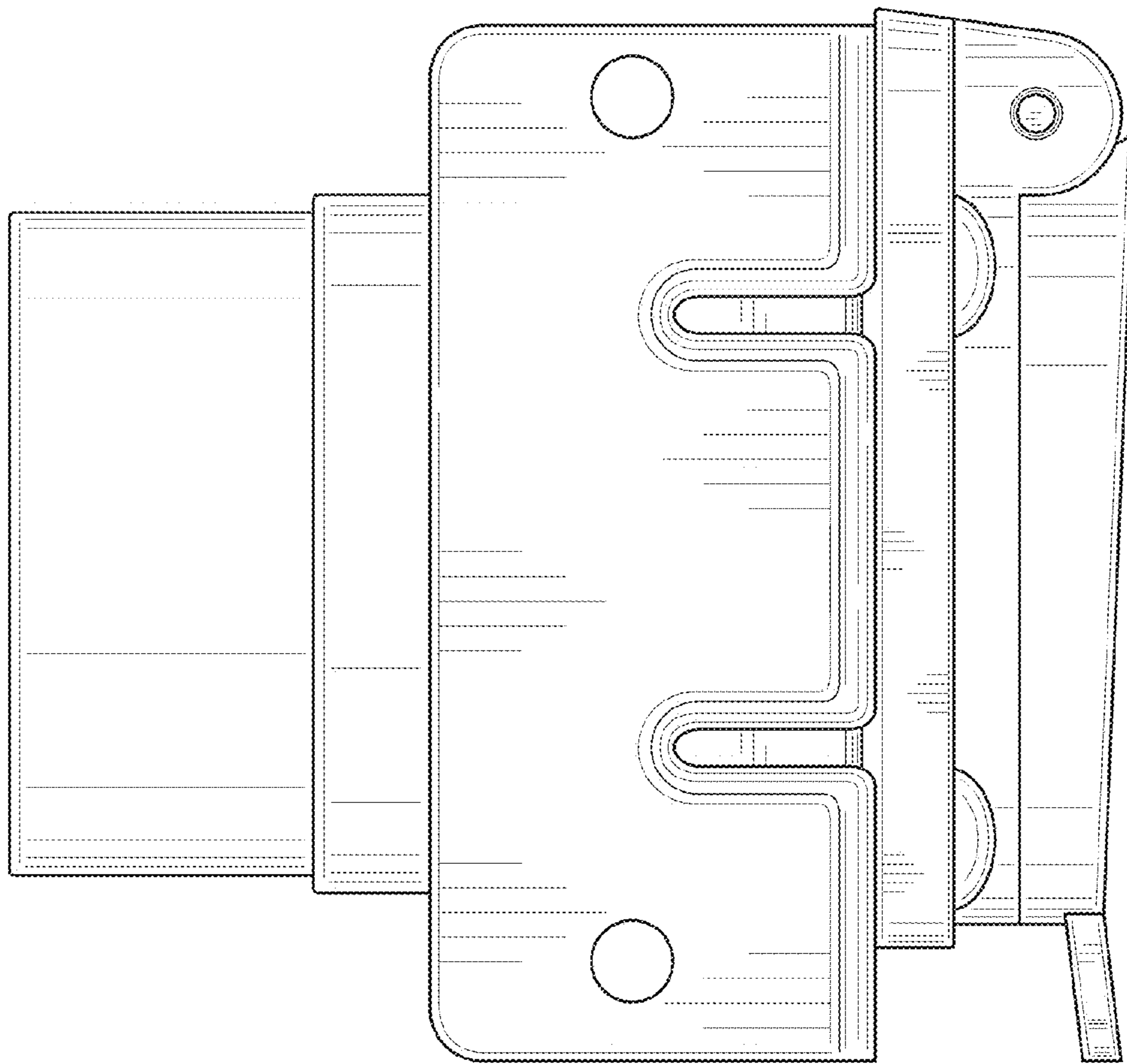


FIG. 4

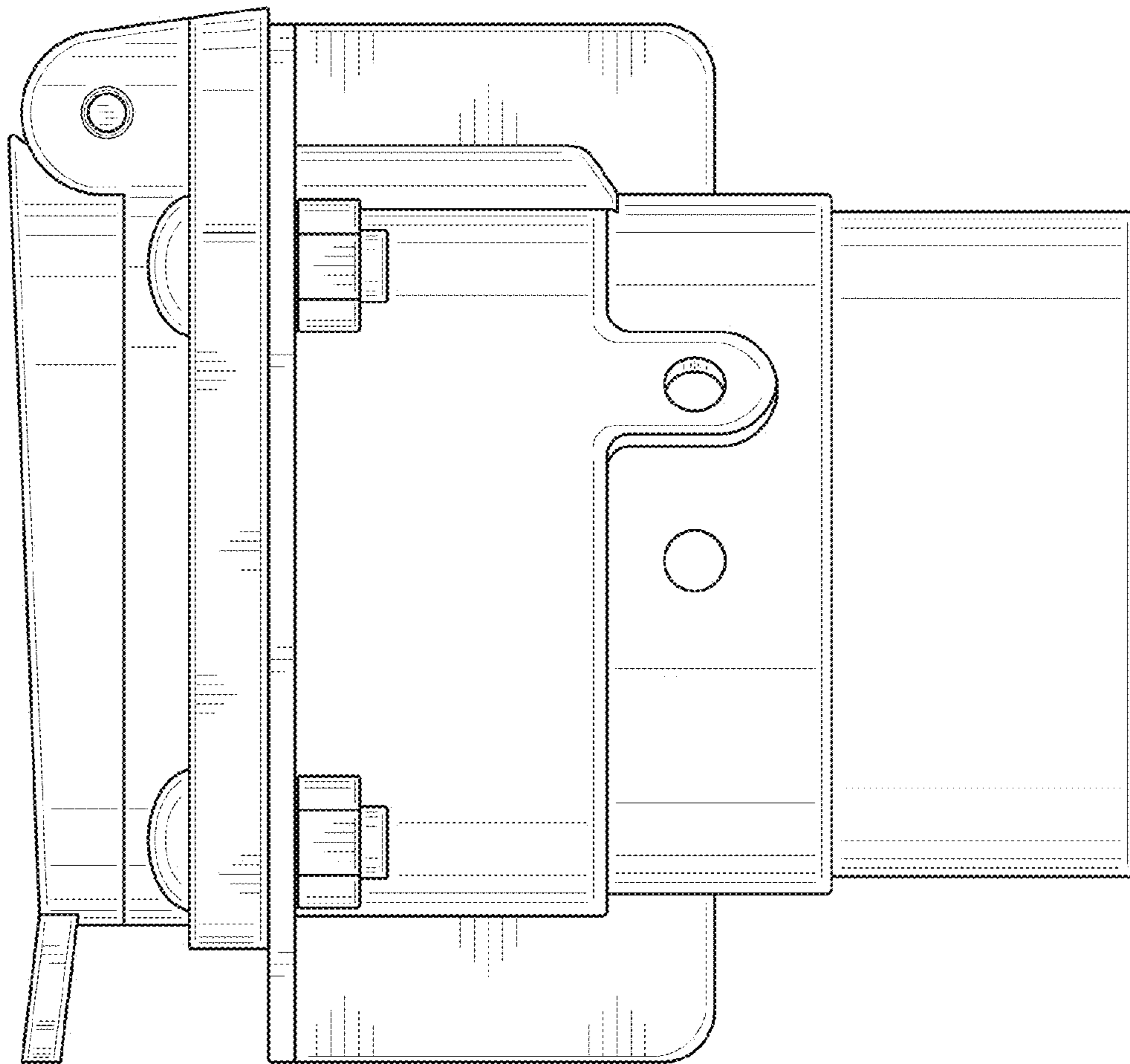


FIG. 5

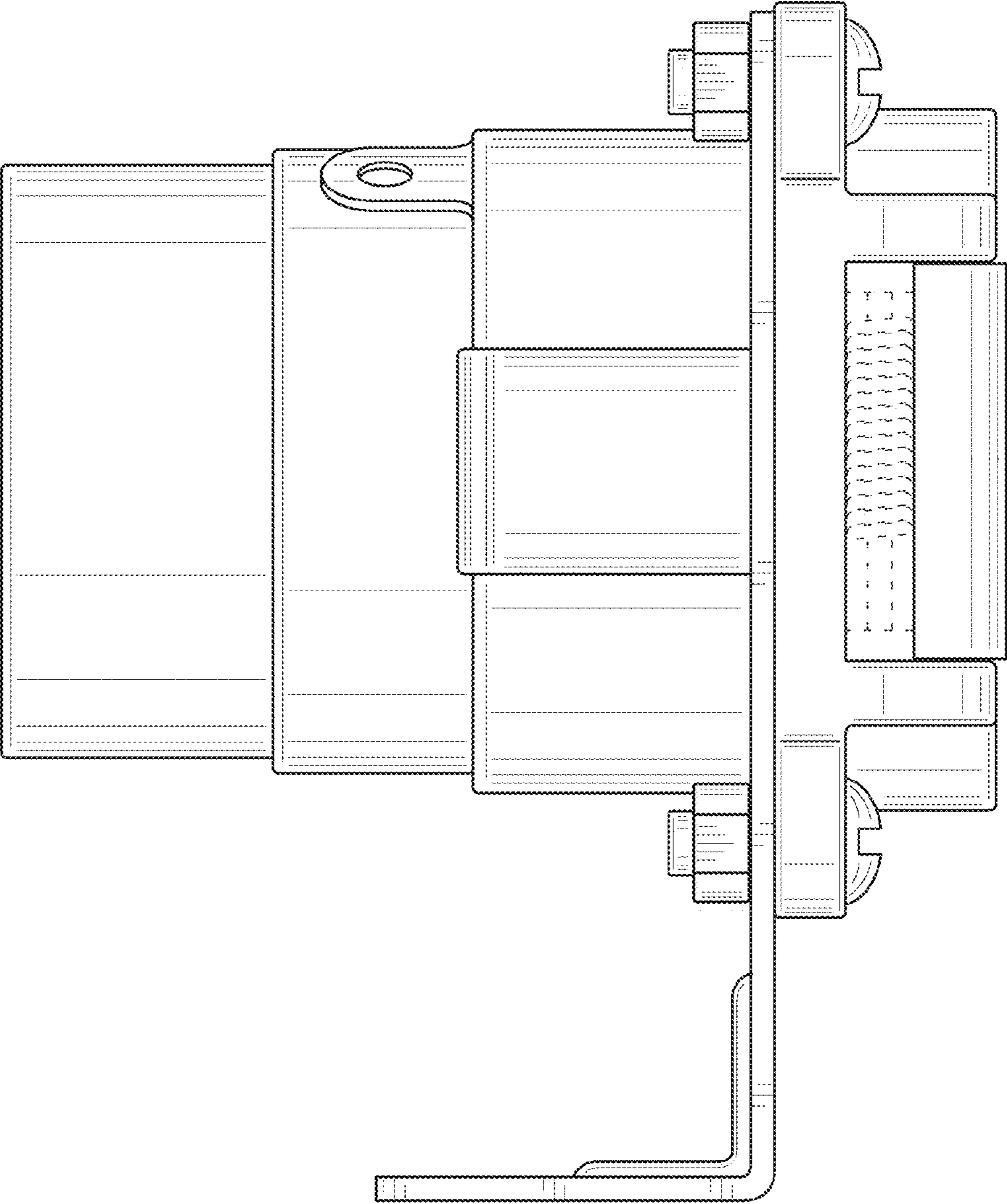


FIG. 6

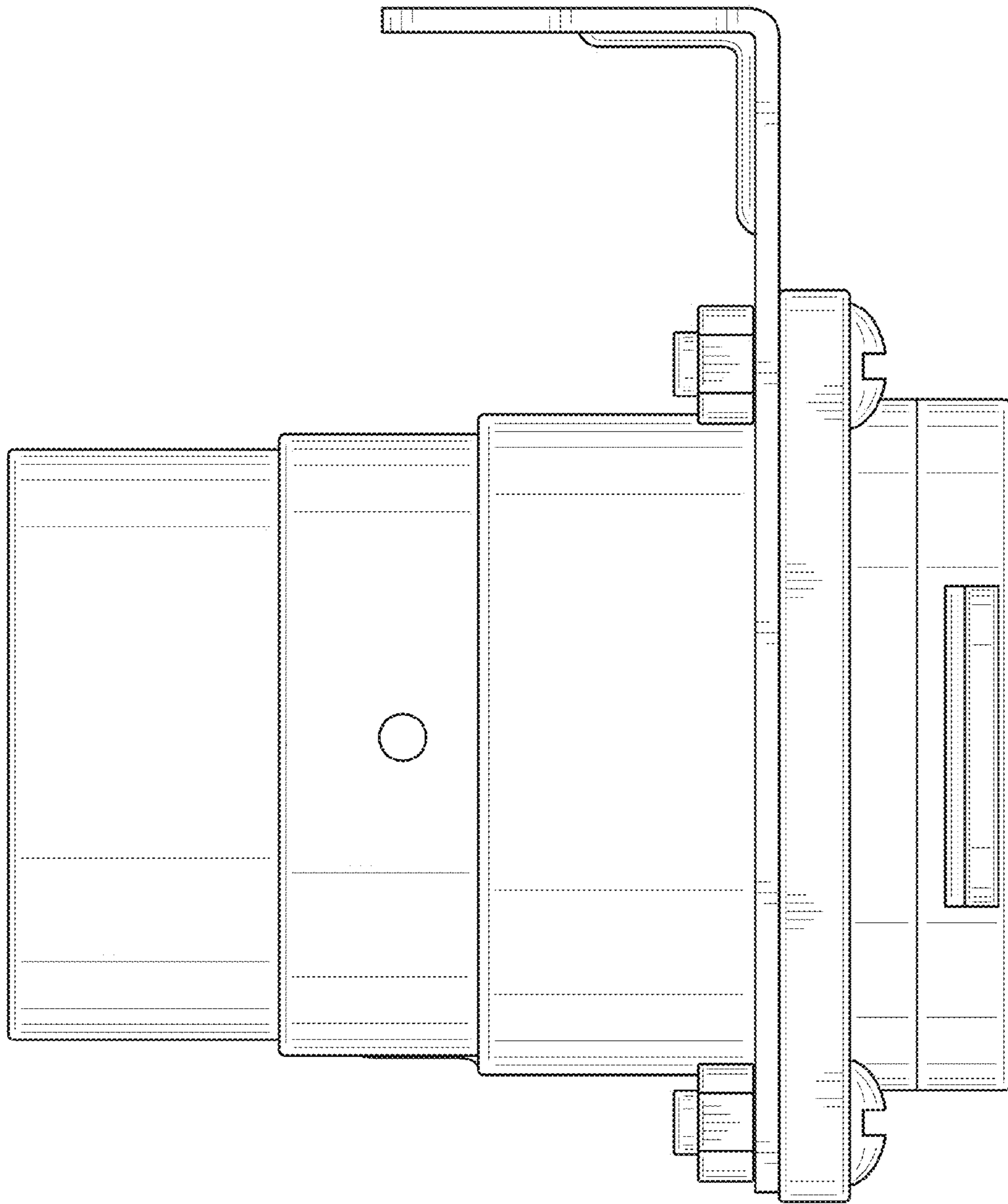


FIG. 7