



US00D766829S

(12) **United States Design Patent**
Huynh

(10) **Patent No.:** **US D766,829 S**

(45) **Date of Patent:** **** Sep. 20, 2016**

(54) **BATTERY ADAPTER**

(71) Applicant: **John Thanh Huynh**, Arlington, VA
(US)

(72) Inventor: **John Thanh Huynh**, Arlington, VA
(US)

(**) Term: **14 Years**

(21) Appl. No.: **29/506,996**

(22) Filed: **Oct. 22, 2014**

(51) **LOC (10) Cl.** **13-02**

(52) **U.S. Cl.**
USPC **D13/119**

(58) **Field of Classification Search**
USPC D13/102-106, 184, 110, 118-119, 114;
429/96-100, 163, 176
CPC ... Y02E 60/12; Y02E 60/122; Y02E 60/124;
H01M 2/02; H01M 2/022; H01M 2/0207;
H01M 10/643; H01M 10/4257; H01M
2/1027; H01M 2/1033; H01M 2/105
See application file for complete search history.

(56) **References Cited**

U.S. PATENT DOCUMENTS

D411,510 S *	6/1999	Wells, Sr.	D13/119
D535,945 S *	1/2007	Towler	D13/119
D538,227 S *	3/2007	Holland	D7/554.1
D573,946 S *	7/2008	Ledbetter	D13/110
D589,888 S *	4/2009	Wu	D13/147
D596,572 S *	7/2009	Wu	D13/138.1
D637,156 S *	5/2011	Yoon	D13/119
D664,092 S *	7/2012	Gea Suarez	D13/103
D700,144 S *	2/2014	Benedict	D13/133
D702,183 S *	4/2014	Benedict	D13/110
D702,633 S *	4/2014	Andre	D13/110
D704,639 S *	5/2014	Alesi	D13/110

D710,305 S *	8/2014	Windom	D13/119
D712,356 S *	9/2014	Windom	D13/119
D716,234 S *	10/2014	Tien	D13/147
D720,290 S *	12/2014	Wu	D13/110
D720,291 S *	12/2014	Liu	D13/119
D723,466 S *	3/2015	Wang	D13/110
D730,286 S *	5/2015	Liu	D13/119
D730,826 S *	6/2015	Moanack	D13/110
2014/0199571 A1 *	7/2014	Ryu	H01M 10/0587 429/94
2016/0079586 A1 *	3/2016	Bedol	H01M 2/367 429/52

* cited by examiner

Primary Examiner — Rosemary K Tarcza

Assistant Examiner — James Thorn, Sr.

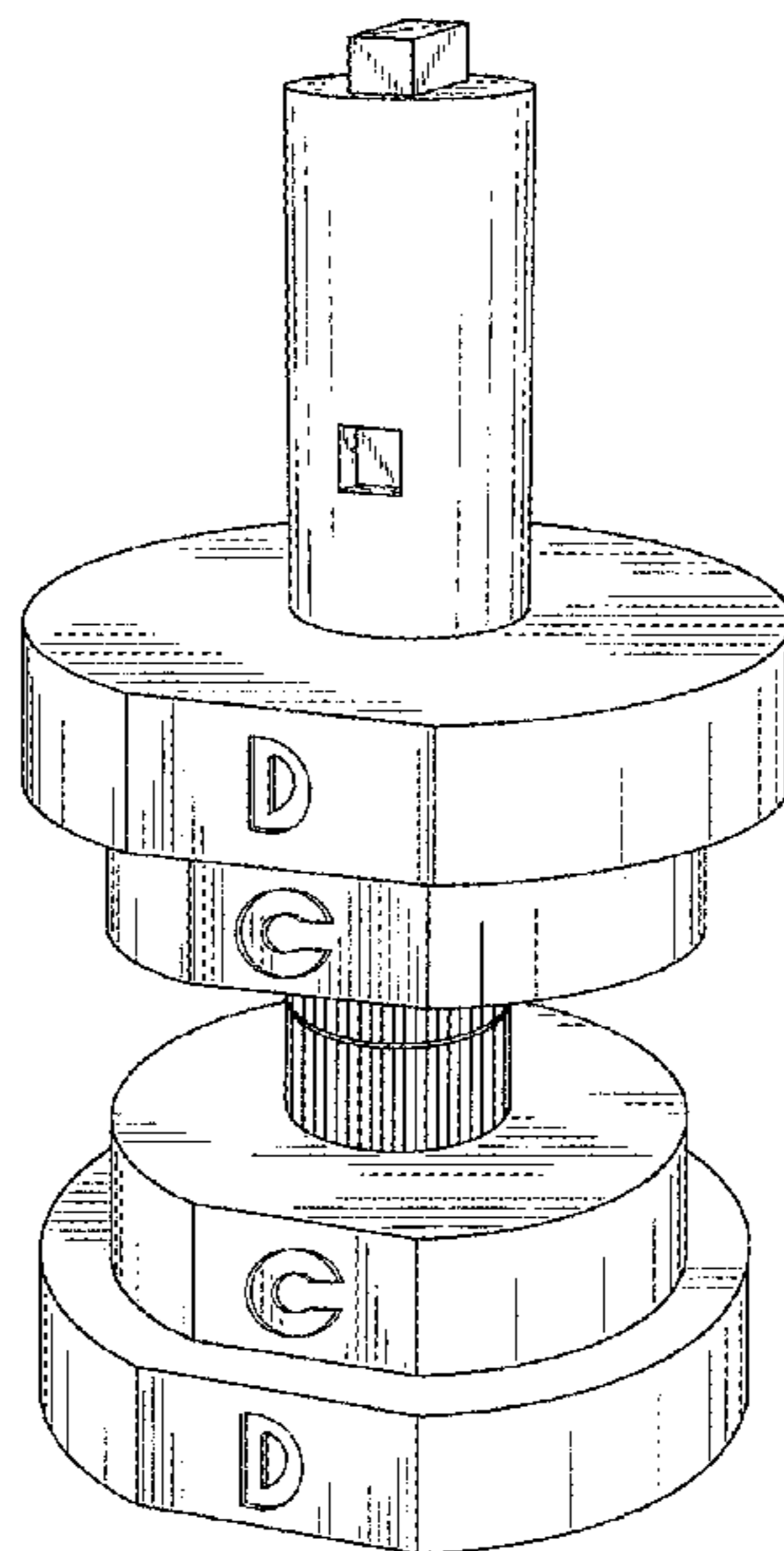
(57) **CLAIM**

The ornamental design for a battery adapter, as shown and described.

DESCRIPTION

FIG. 1 is a perspective view of the battery adapter.
 FIG. 2 is a front view for the battery adapter shown in FIG. 1.
 FIG. 3 is a rear view for the battery adapter shown in FIG. 1.
 FIG. 4 is a left side view for the battery adapter shown in FIG. 1; The right side view is a mirror image of the left side view.
 FIG. 5 is a top view for the battery adapter shown in FIG. 1.
 FIG. 6 is a bottom view for the battery adapter shown in FIG. 1; The broken line in the drawing is for the purpose of illustrating the unclaimed portion and form no part of the claimed design; and,
 FIG. 7 is an exploded view for the battery adapter shown in FIG. 1.

1 Claim, 4 Drawing Sheets



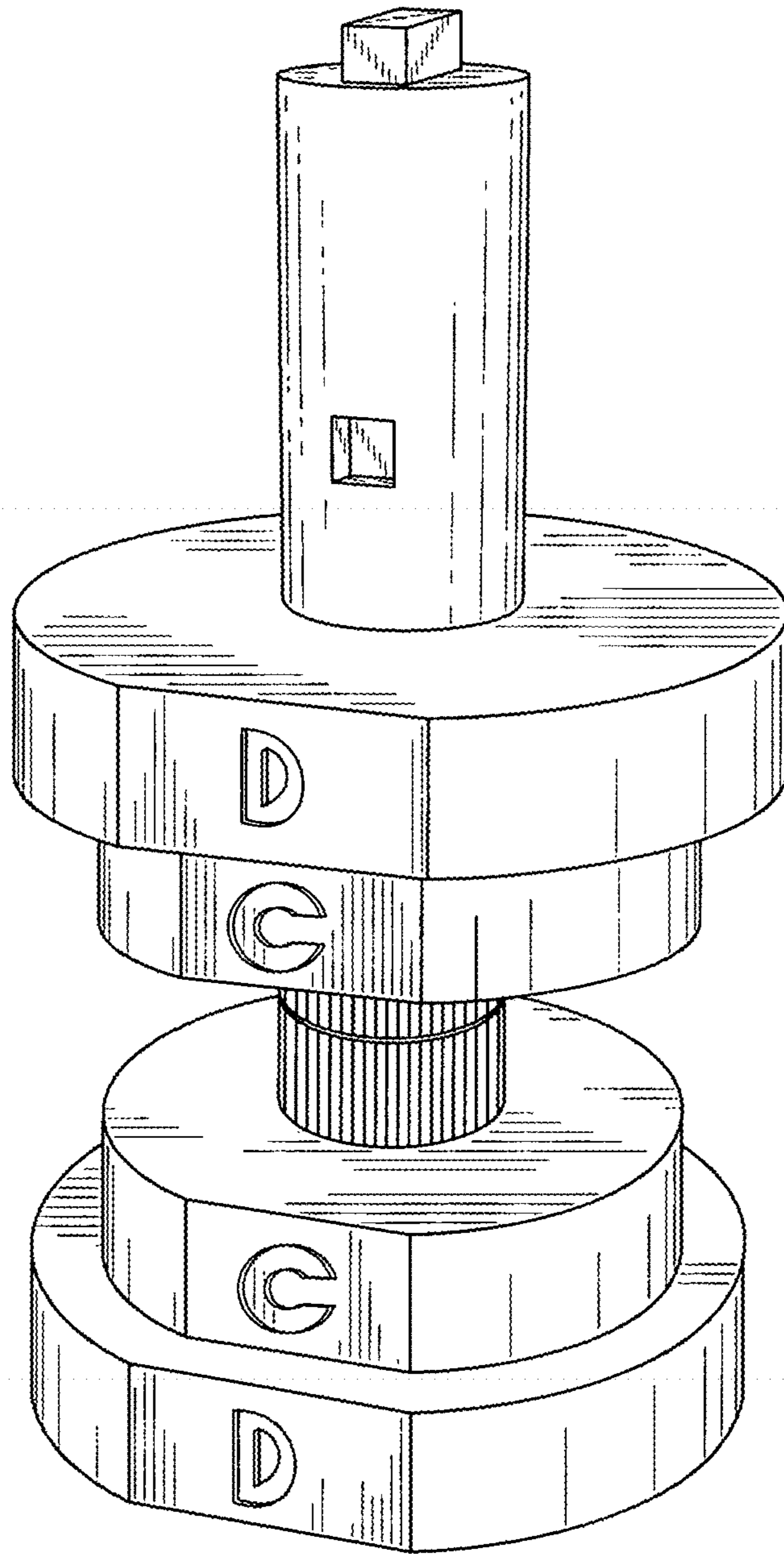


FIG. 1

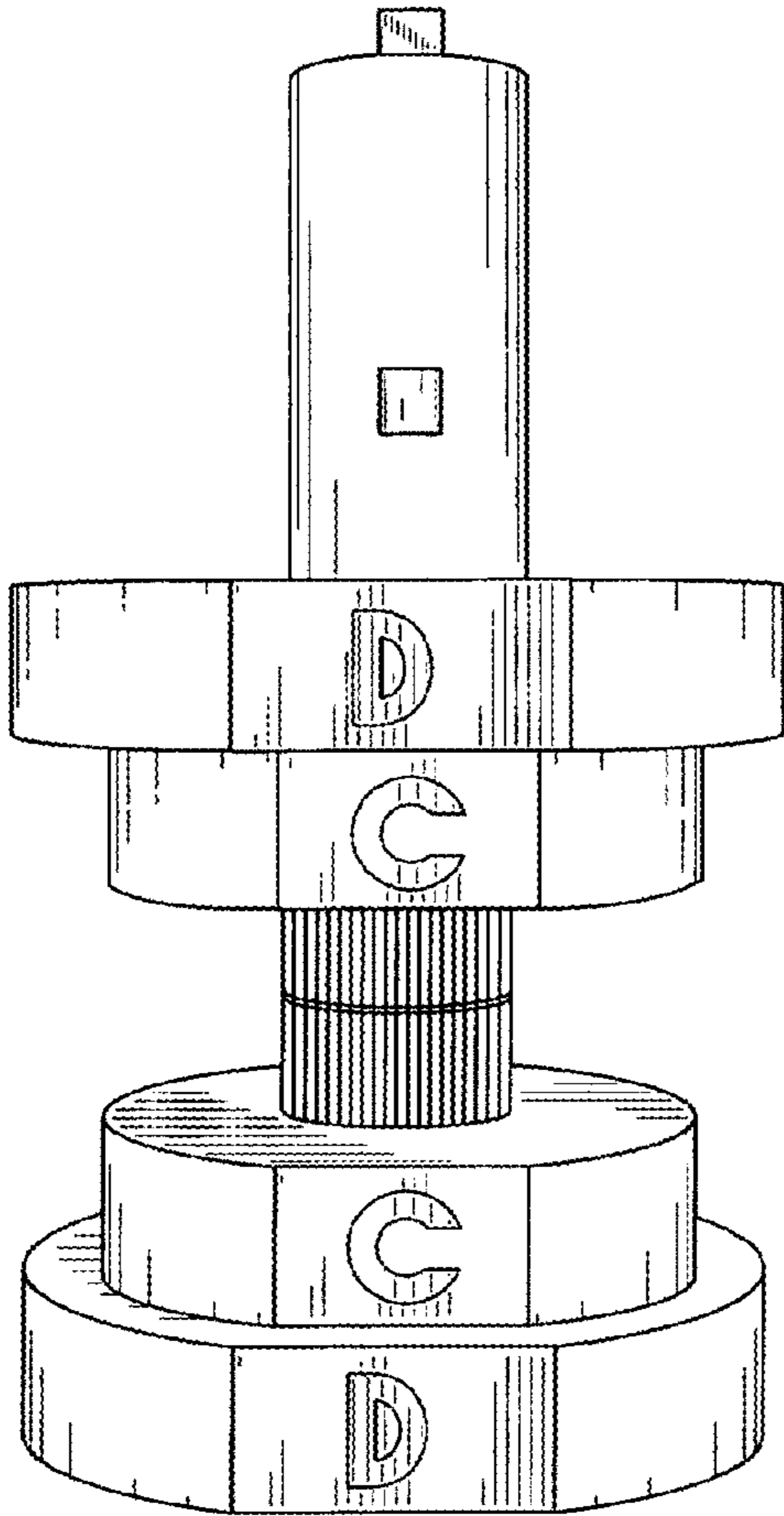


FIG. 2

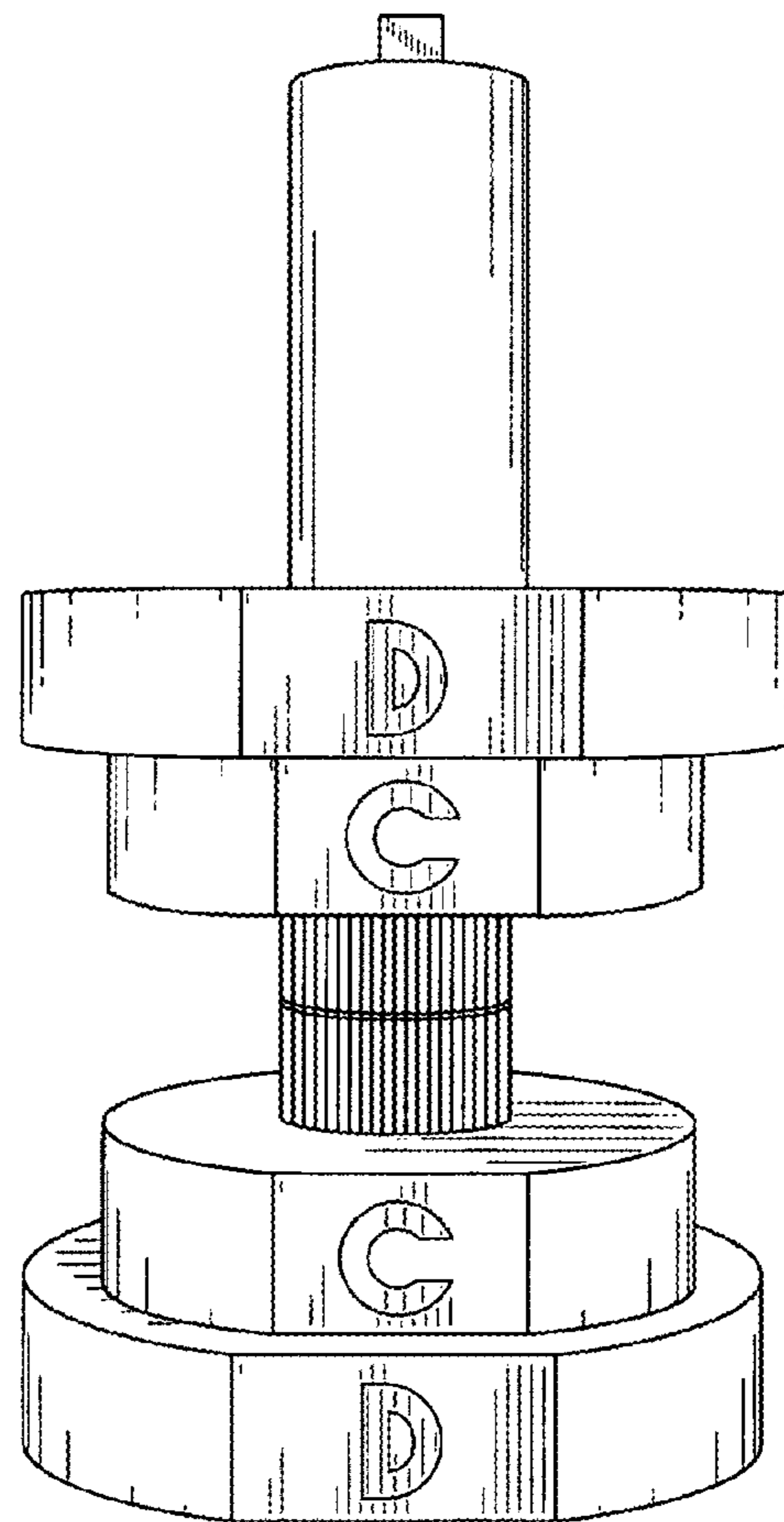


FIG. 3

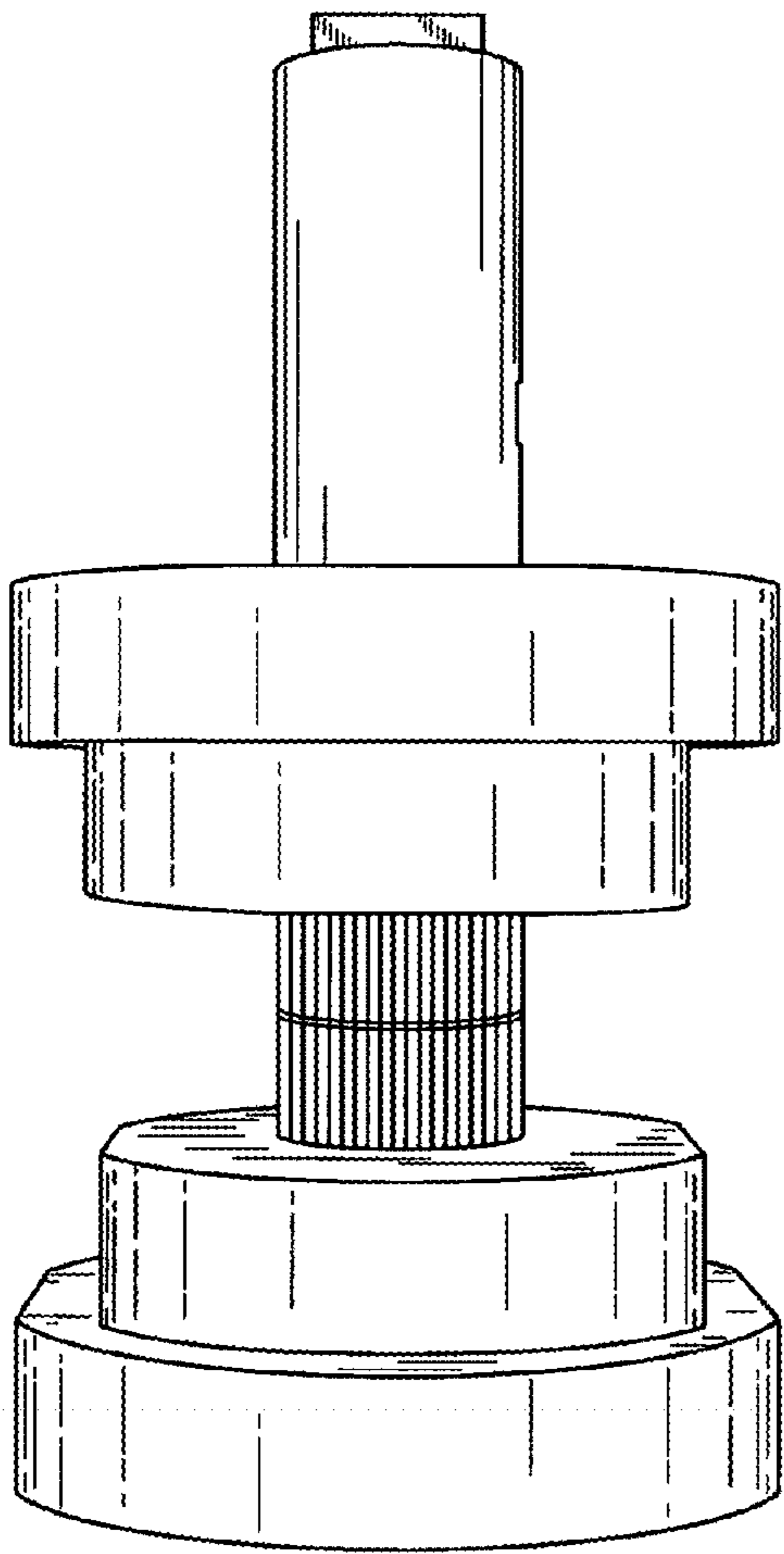


FIG. 4

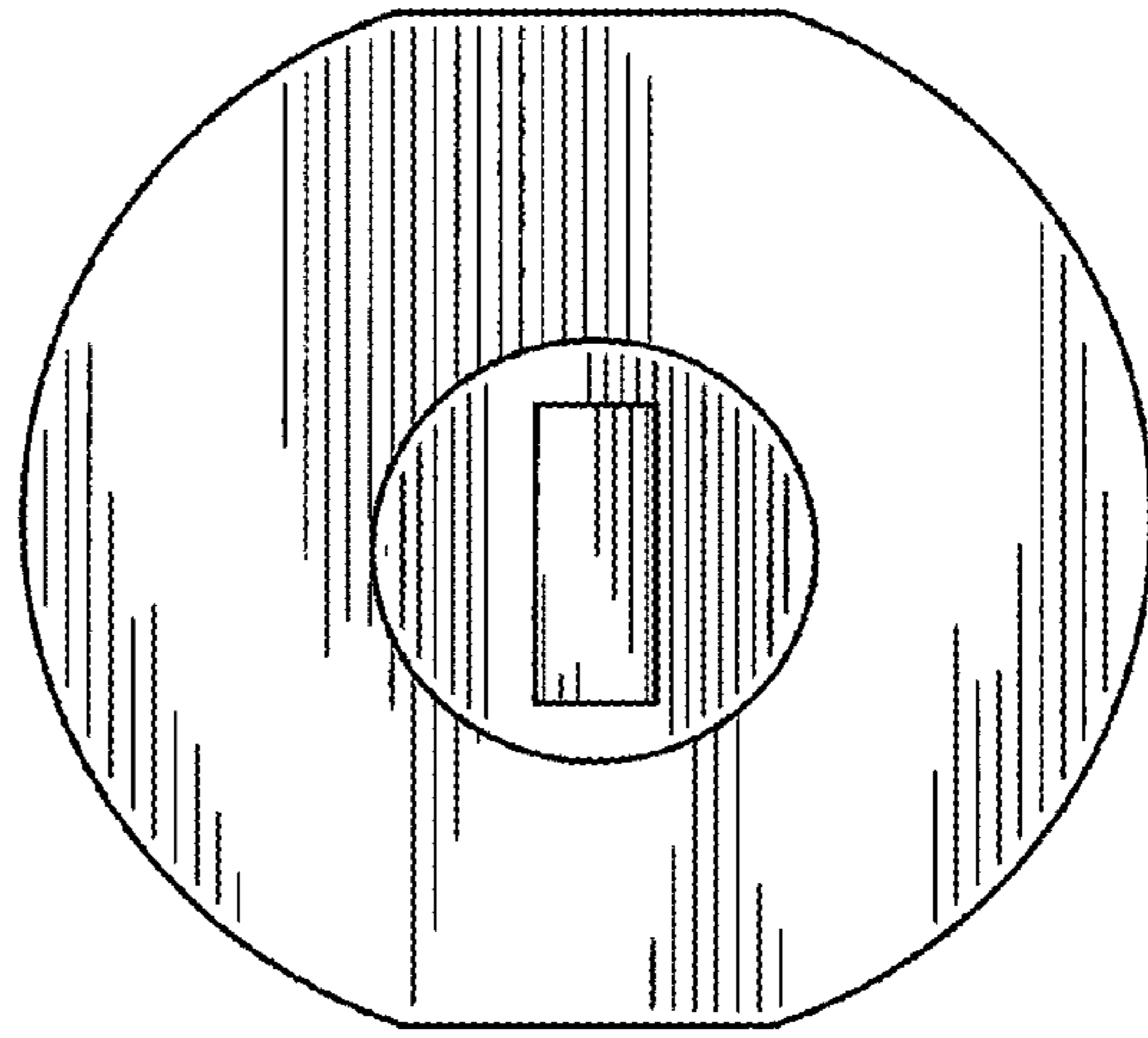


FIG. 5

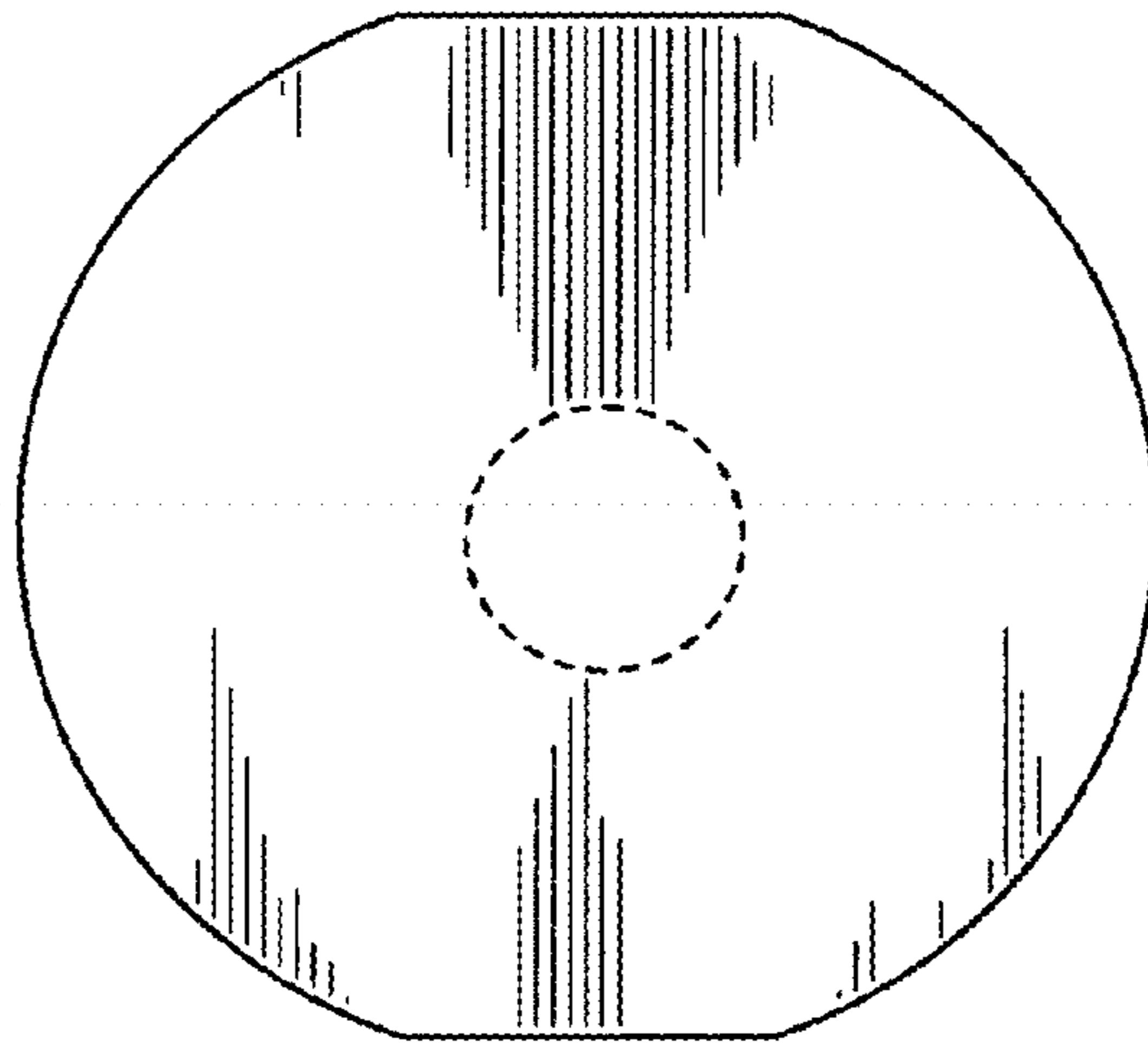


FIG. 6

FIG. 7

