



US00D766828S

(12) **United States Design Patent** (10) **Patent No.:** **US D766,828 S**
Yamada et al. (45) **Date of Patent:** **** Sep. 20, 2016**

(54) **TURBINE GENERATOR**

(56) **References Cited**

(71) Applicant: **MITSUBISHI ELECTRIC CORPORATION**, Tokyo (JP)

(72) Inventors: **Wataru Yamada**, Tokyo (JP); **Hideaki Maeda**, Tokyo (JP); **Shinichi Kimata**, Tokyo (JP); **Kiyonori Koga**, Tokyo (JP); **Fumio Matsumoto**, Tokyo (JP); **Shingo Kingetsu**, Tokyo (JP)

(73) Assignee: **Mitsubishi Electric Corporation**, Tokyo (JP)

(**) Term: **15 Years**

(21) Appl. No.: **29/545,184**

(22) Filed: **Nov. 10, 2015**

U.S. PATENT DOCUMENTS

1,645,411 A	10/1927	Blake	
D133,650 S	9/1942	Vogel	
D133,651 S	9/1942	Vogel	
2,460,502 A	2/1949	Heintz	
3,121,570 A *	2/1964	Gilbert	F16J 15/46 277/583
D213,563 S	3/1969	Mabuchi	
3,808,819 A *	5/1974	Engelke	F01K 11/02 60/690
D239,562 S	4/1976	Matousek et al.	
4,488,072 A	12/1984	Archibald et al.	

(Continued)

Primary Examiner — Derrick Holland
Assistant Examiner — Jennifer O King
 (74) *Attorney, Agent, or Firm* — Studebaker & Brackett PC

Related U.S. Application Data

(62) Division of application No. 29/497,449, filed on Jul. 24, 2014, now Pat. No. Des. 753,590.

Foreign Application Priority Data

Mar. 12, 2014 (JP) 2014-005192
 Mar. 12, 2014 (JP) 2014-005193

(51) **LOC (10) Cl.** **13-01**

(52) **U.S. Cl.**
USPC **D13/112**

(58) **Field of Classification Search**

USPC D13/112, 101, 110, 113–118, 122, 123,
 D13/154, 162, 164, 184, 199; D15/3, 5,
 D15/199; 74/606 R, 609; 310/10, 40 MM,
 310/40 R, 42, 51, 52, 58, 64, 71, 80, 83, 85,
 310/88, 89, 91, 109, 236, 239, 254;
 318/245, 255; 322/16, 39; 361/688,
 361/704, 709; 29/596–598
 CPC F02B 63/04; H02K 3/24; H02K 3/47
 See application file for complete search history.

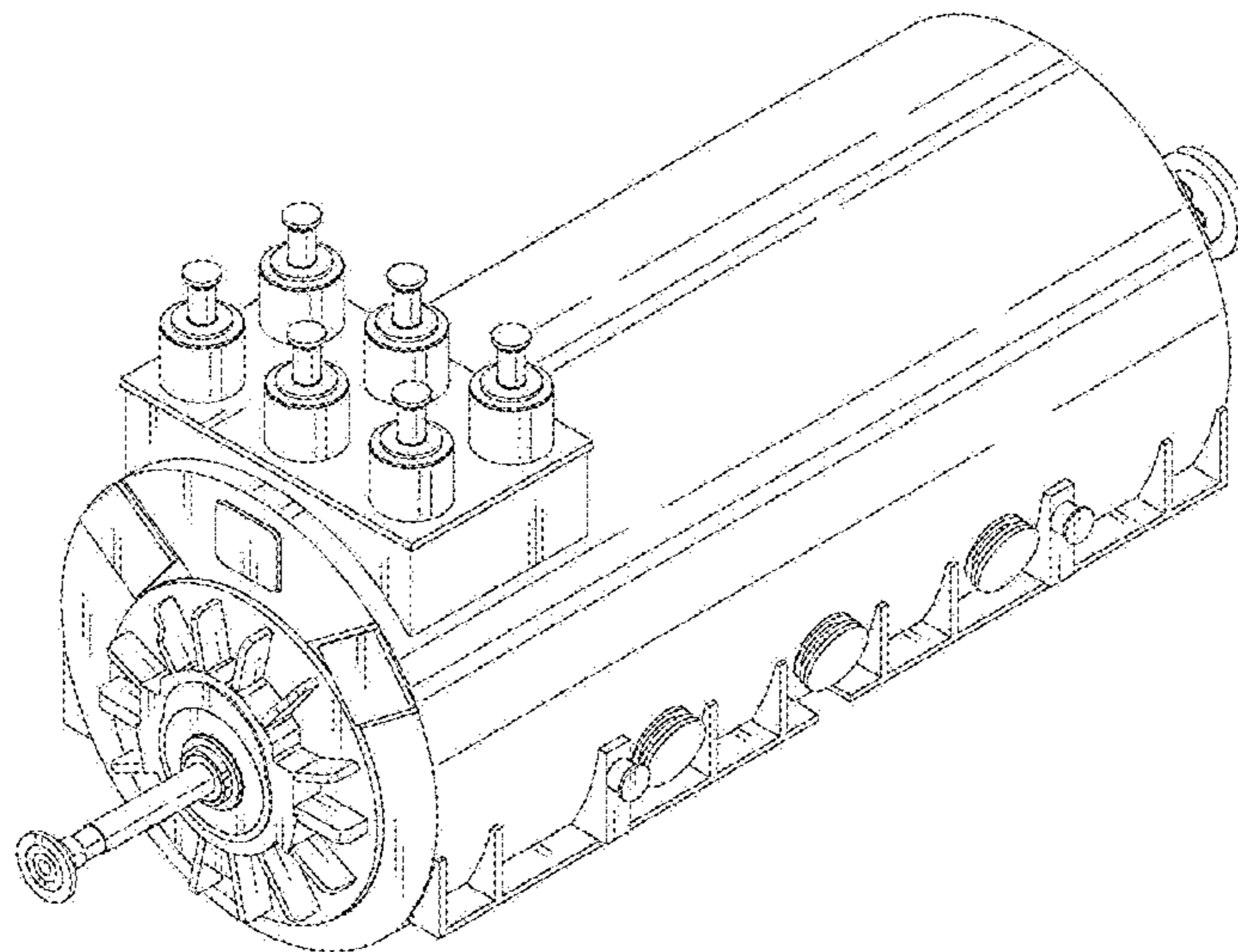
(57) **CLAIM**

The ornamental design for a turbine generator, as shown and described.

DESCRIPTION

FIG. 1 is a front perspective view of the front, left, and top sides of a turbine generator showing our new design,
 FIG. 2 is a rear perspective view of the rear, right, and bottom sides thereof,
 FIG. 3 is a front view thereof,
 FIG. 4 is a rear view thereof,
 FIG. 5 is a left side view thereof,
 FIG. 6 is a right side view thereof,
 FIG. 7 is a top view thereof,
 FIG. 8 is a bottom view thereof,
 FIG. 9 is a sectional view thereof taken along line 9-9 of FIG. 5; and,
 FIG. 10 is a reference view for showing use situation. The broken lines shown represent unclaimed subject matter of turbine generator and form no part of the claimed design.

1 Claim, 9 Drawing Sheets



(56)

References Cited

U.S. PATENT DOCUMENTS

D314,550 S * 2/1991 Sieber D13/112
D336,890 S * 6/1993 Hirose D13/112
D342,955 S 1/1994 Bankier et al.
D347,619 S 6/1994 VanHorn et al.
5,814,912 A 9/1998 Ross
D462,937 S 9/2002 Nord
D537,411 S 2/2007 Katada
D538,743 S 3/2007 Katada et al.

D576,548 S 9/2008 Andersson et al.
D624,015 S * 9/2010 Walker D13/112
8,739,528 B2 * 6/2014 Shiraishi F01D 25/18
417/407
D729,732 S 5/2015 Kasaba et al.
9,140,445 B2 * 9/2015 Tomita B24B 49/105
2011/0103971 A1 * 5/2011 Hada F01D 5/189
416/97 R
2013/0149125 A1 * 6/2013 Onishi F01D 9/042
415/191

* cited by examiner

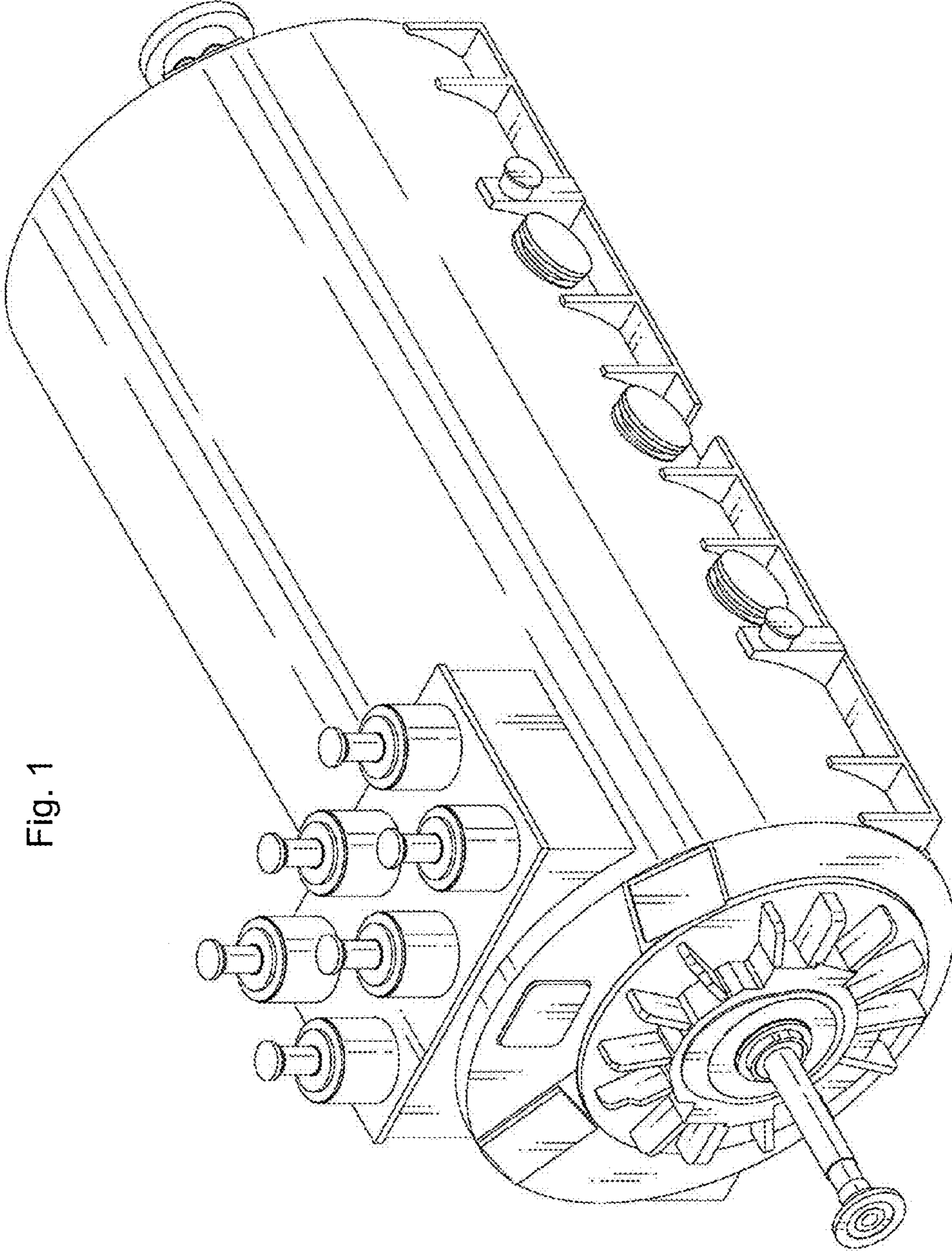


Fig. 1

Fig. 2

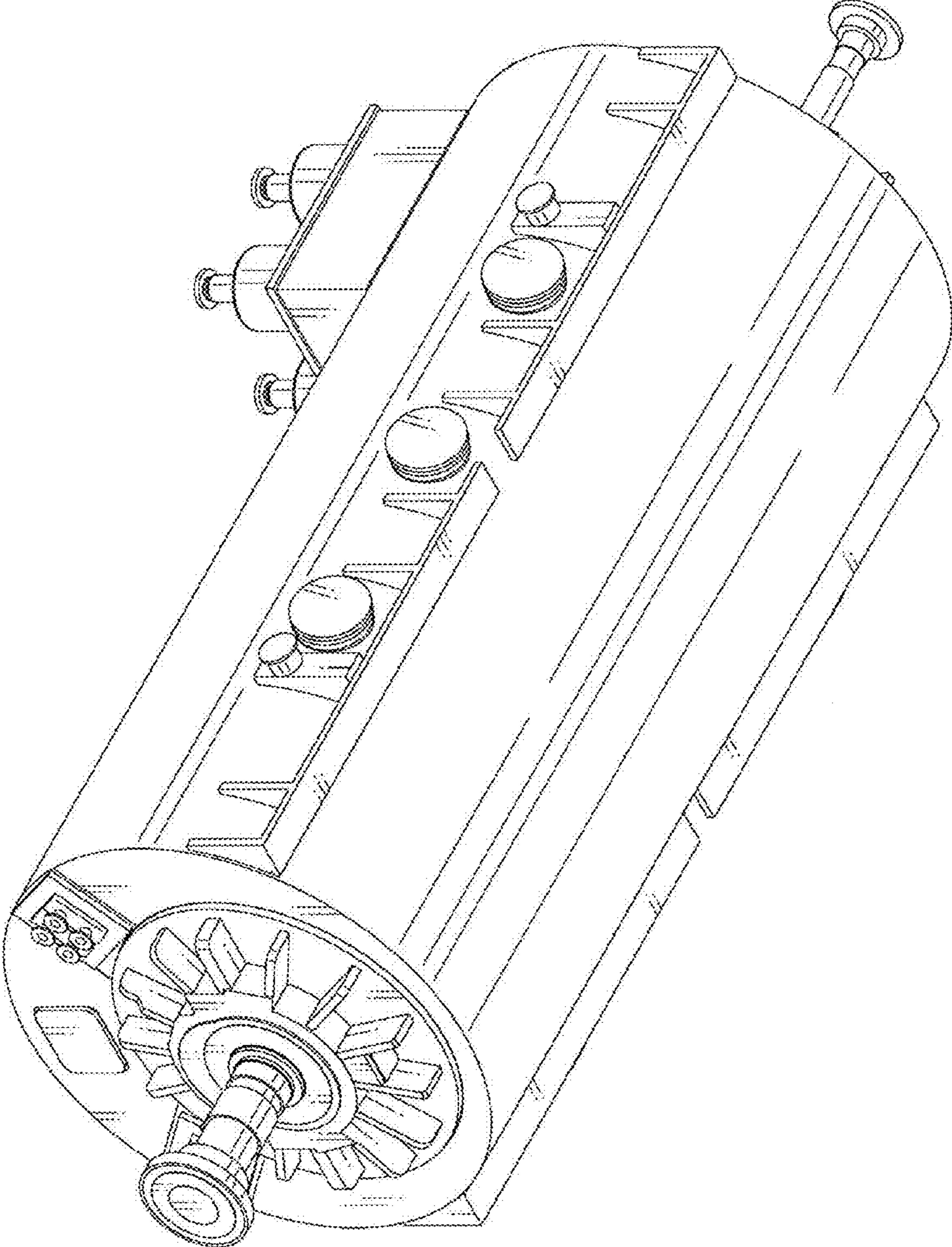


Fig. 3

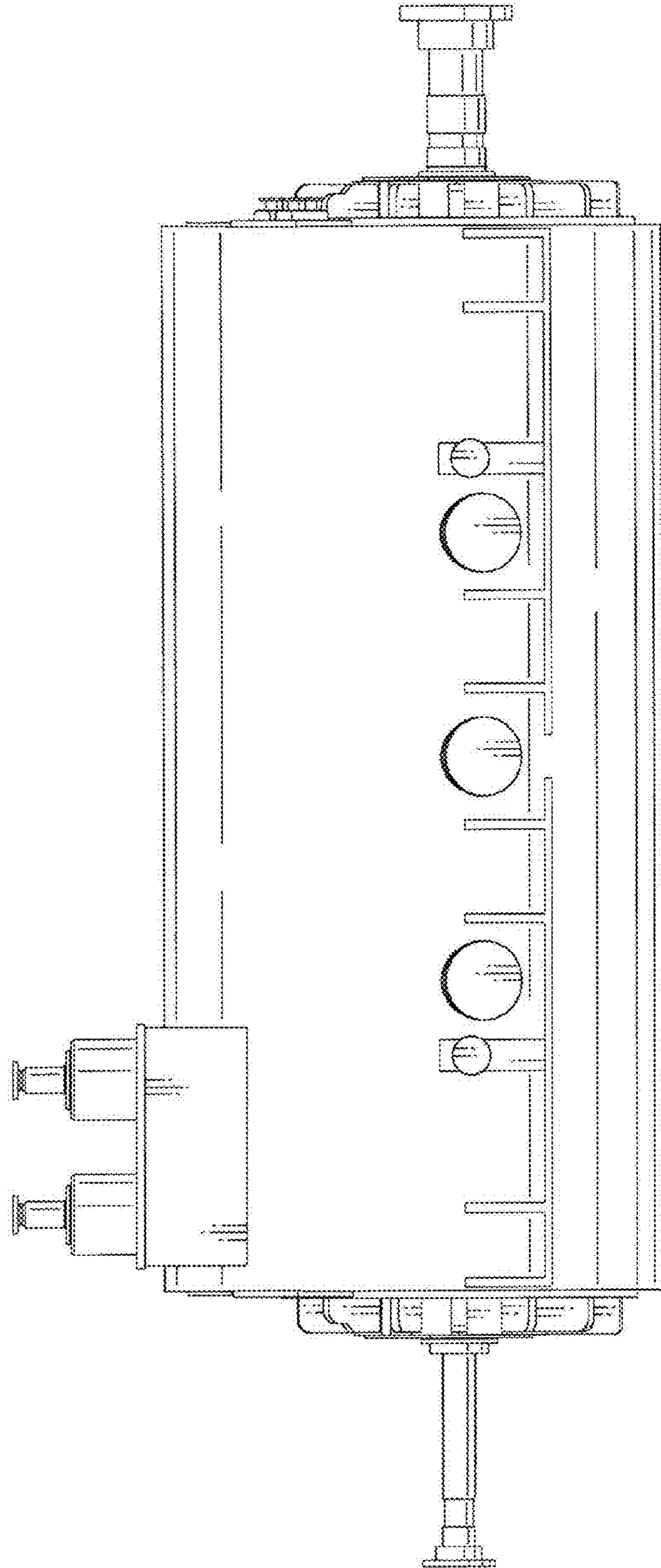


Fig. 4

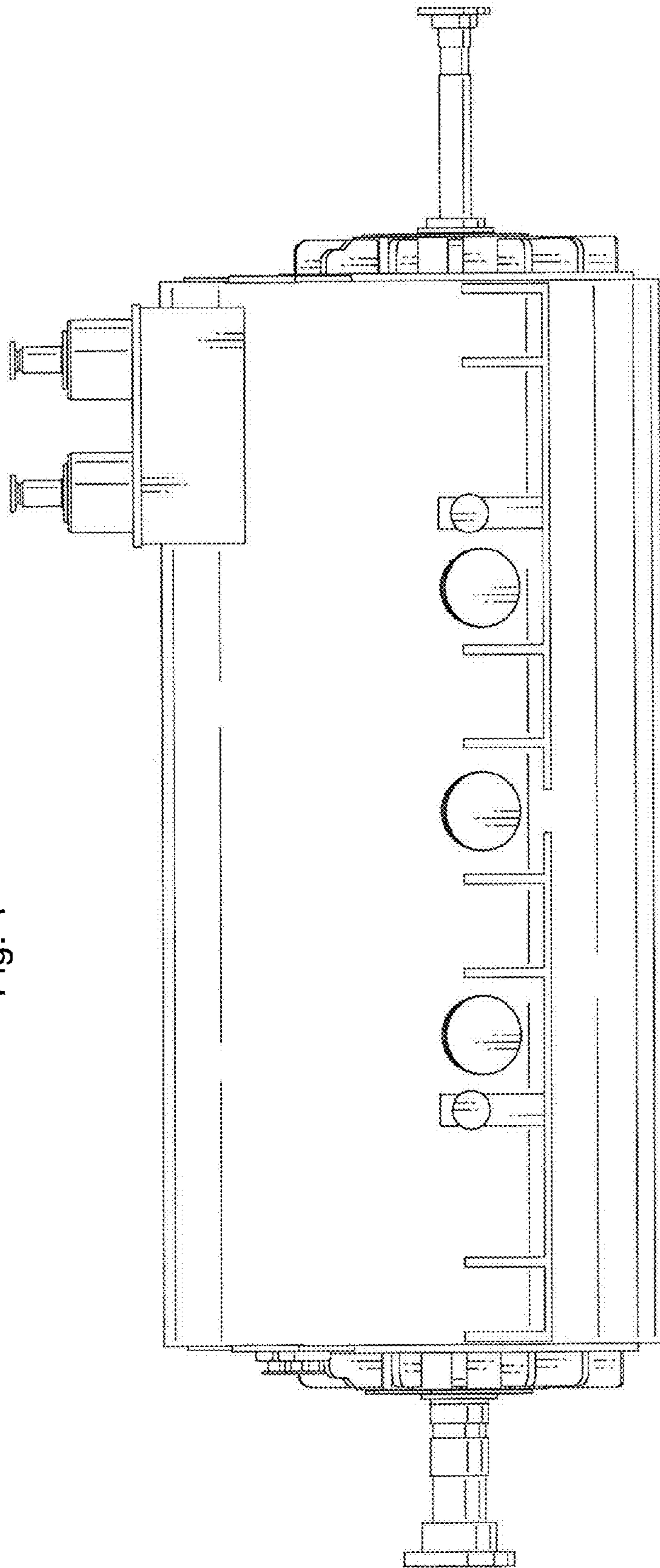


Fig. 6

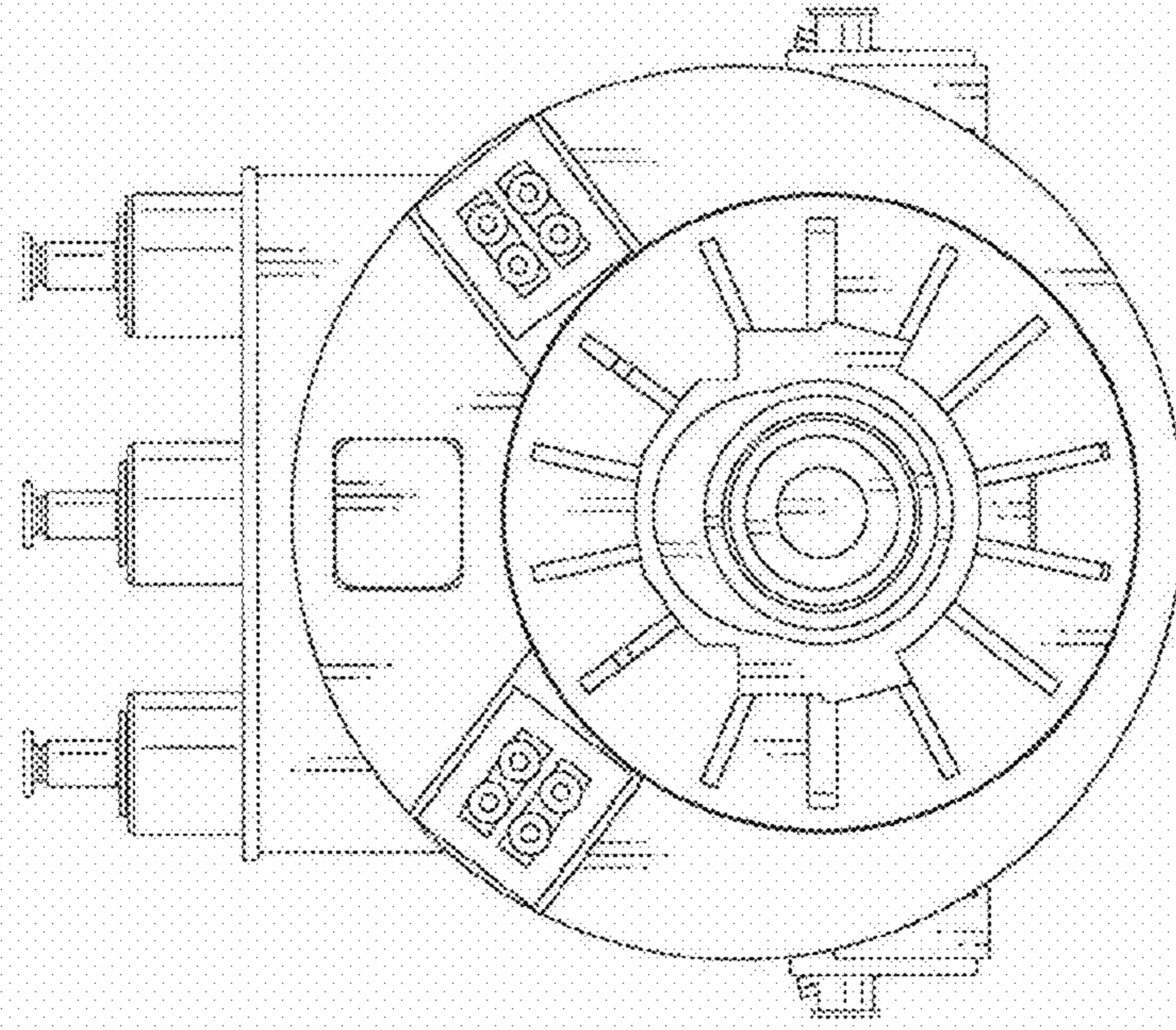


Fig. 5

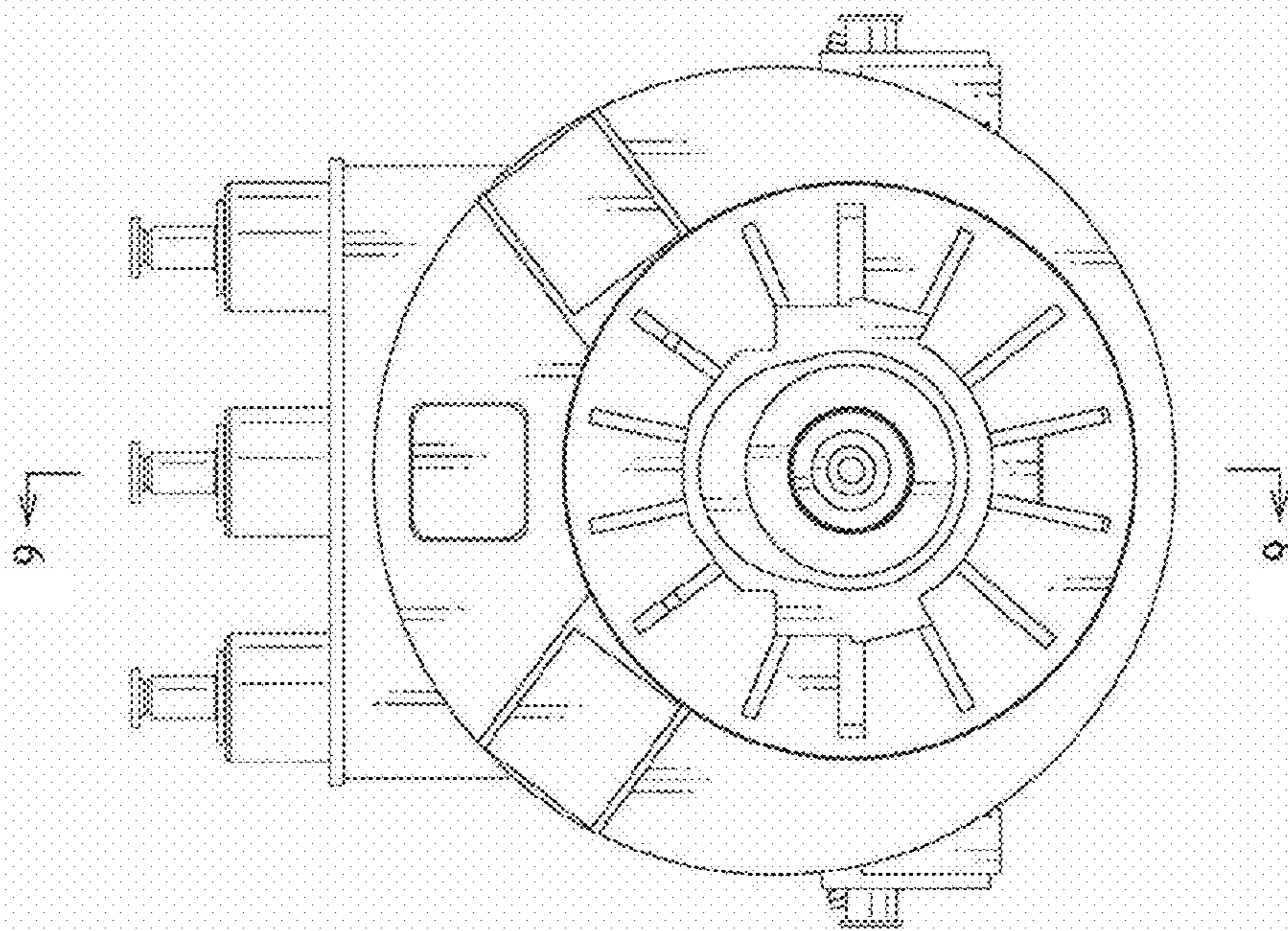


Fig. 7

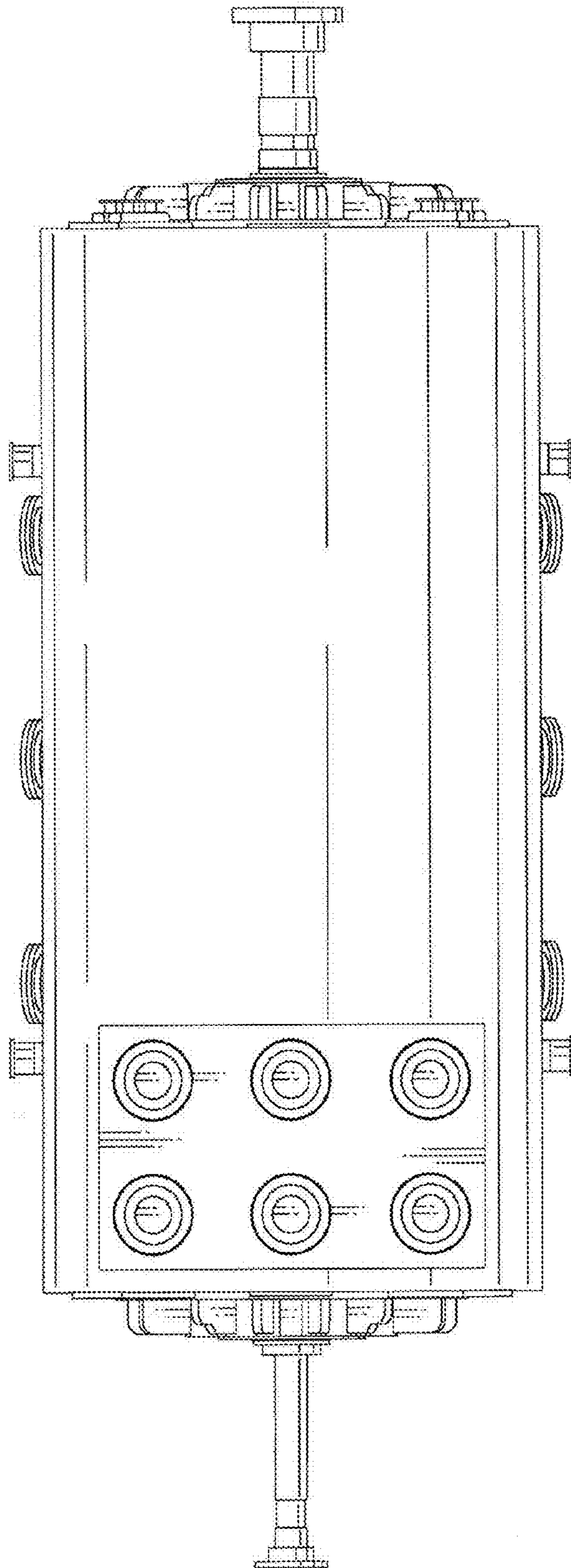


Fig. 8

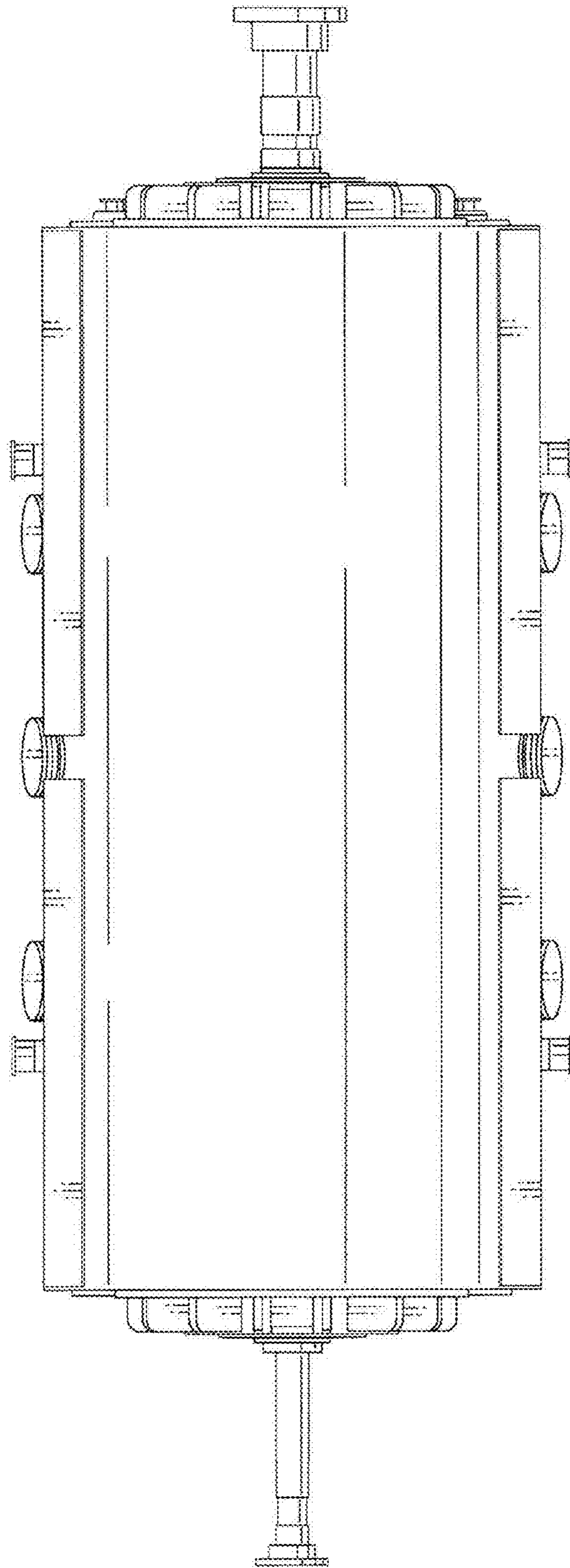


Fig. 9

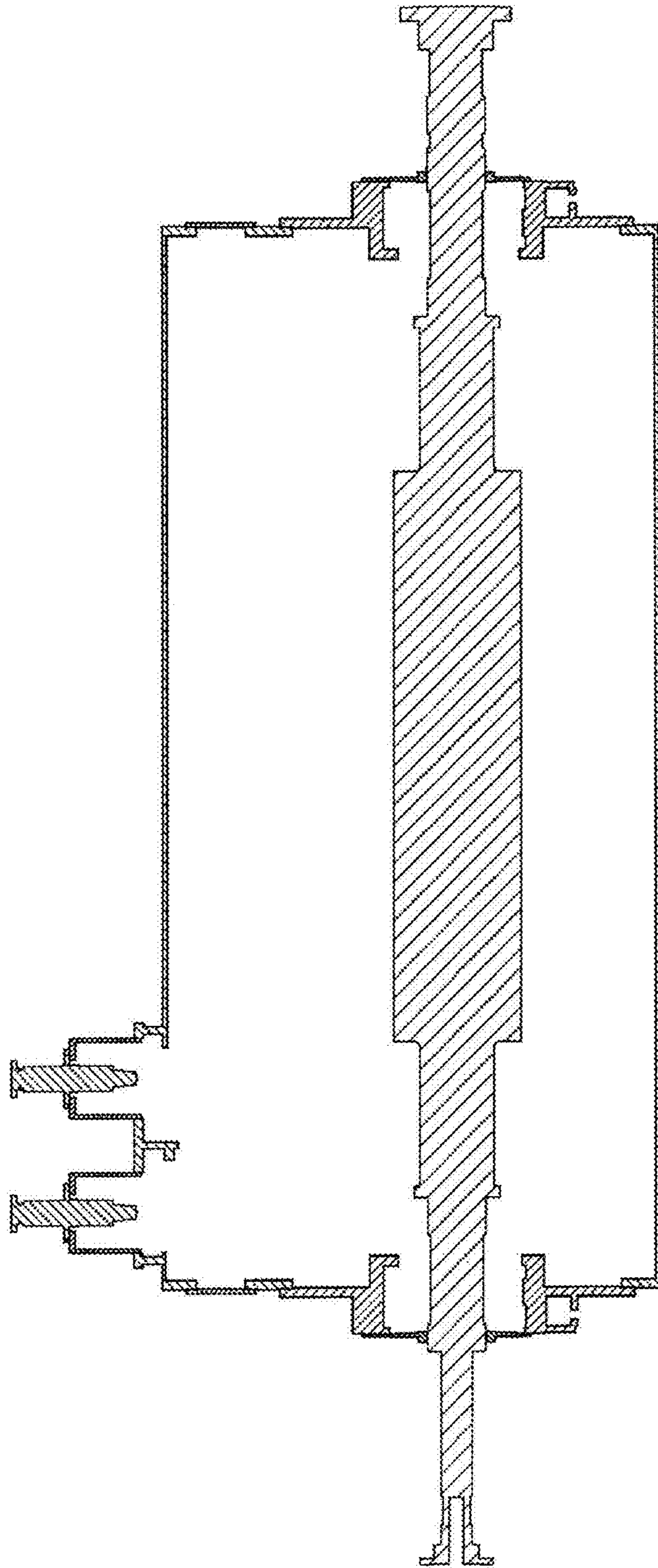


Fig. 10

