



US00D766826S

(12) **United States Design Patent** (10) **Patent No.:** **US D766,826 S**  
**Xu** (45) **Date of Patent:** **\*\* Sep. 20, 2016**

- (54) **INVERTER**
- (71) Applicant: **Guangdong BESTEK E-commerce Co., Ltd.**, Shenzhen (CN)
- (72) Inventor: **Xinhua Xu**, Shenzhen (CN)
- (73) Assignee: **GUANGDONG BESTEK E-COMMERCE CO., LTD.** (CN)
- (\*\*) Term: **15 Years**
- (21) Appl. No.: **29/535,946**
- (22) Filed: **Aug. 12, 2015**
- (51) **LOC (10) Cl.** ..... **13-02**
- (52) **U.S. Cl.**  
USPC ..... **D13/110**
- (58) **Field of Classification Search**  
USPC ..... D13/110, 108, 118, 123, 162, 168, 169,  
D13/174, 177, 184, 199; D14/257, 432,  
D14/438; 174/16.3, 17 R, 17.08; 361/600,  
361/601, 690, 694, 695, 679.01, 679.61,  
361/704, 730; 363/141, 142  
CPC ..... H05K 5/00; H05K 5/02; H05K 5/0247;  
H05K 7/00; H05K 7/20; H05K 7/20136;  
H05K 7/20154; H05K 7/209; H02M 7/00;  
H02M 7/003; H02M 2001/009; H02J 7/0042;  
Y10T 307/367  
See application file for complete search history.

- 7,483,272 B2 \* 1/2009 Hussaini ..... H02J 7/0042  
174/50
- D627,719 S \* 11/2010 DuMelle ..... D13/110
- D693,298 S \* 11/2013 Inskeep ..... D13/110
- D701,490 S \* 3/2014 Inskeep ..... D13/110
- D719,508 S \* 12/2014 Byrne ..... D13/110

\* cited by examiner

*Primary Examiner* — Derrick Holland

(74) *Attorney, Agent, or Firm* — Garcia-Zamor IP Law;  
Ruy M. Garcia-Zamor

(57) **CLAIM**

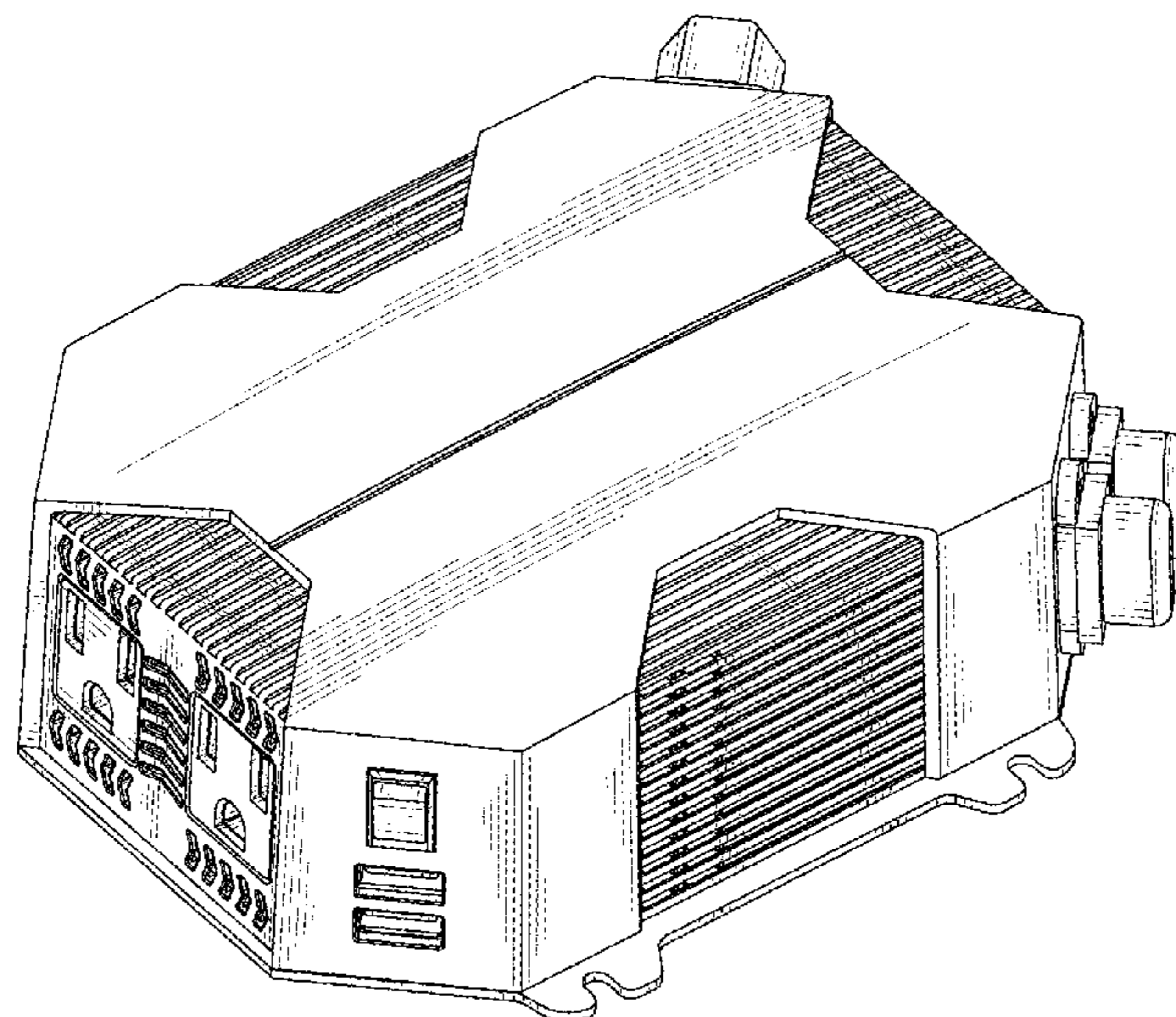
The ornamental design for an inverter, as shown and described.

**DESCRIPTION**

FIG. 1 is a perspective view of an inverter showing my new design;  
 FIG. 2 is a front elevational view thereof;  
 FIG. 3 is a rear elevational view thereof;  
 FIG. 4 is a left side elevational view thereof;  
 FIG. 5 is a right side elevational view thereof;  
 FIG. 6 is a top plan view thereof; and,  
 FIG. 7 is a bottom plan view thereof.  
 The broken lines shown represent unclaimed subject matter and form no part of the claimed design.

**1 Claim, 7 Drawing Sheets**

- (56) **References Cited**  
U.S. PATENT DOCUMENTS  
5,949,640 A \* 9/1999 Cameron ..... H02M 7/003  
361/600  
D427,146 S \* 6/2000 Wei ..... D13/110  
D562,235 S \* 2/2008 Hussaini ..... D13/110



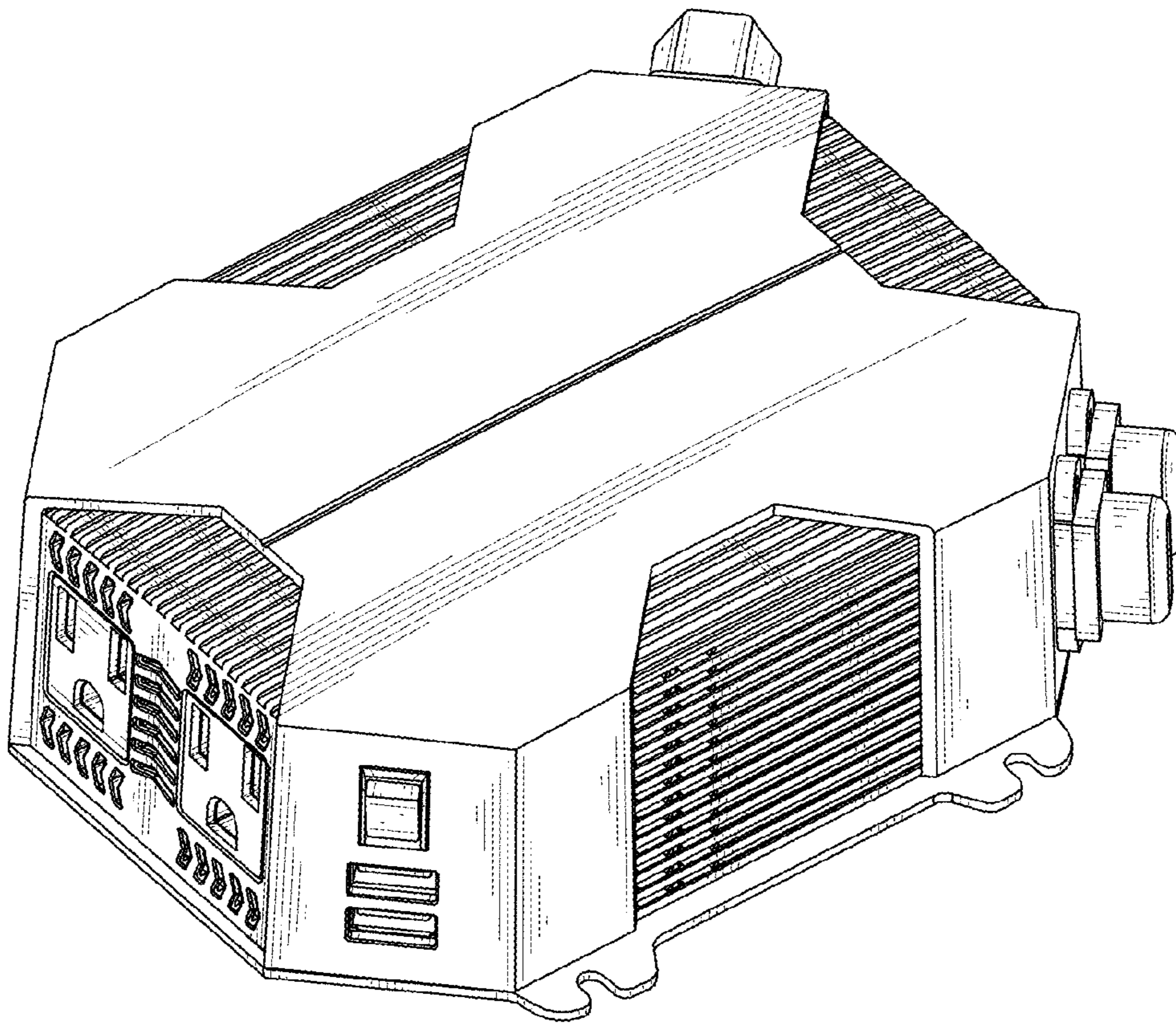


FIG. 1

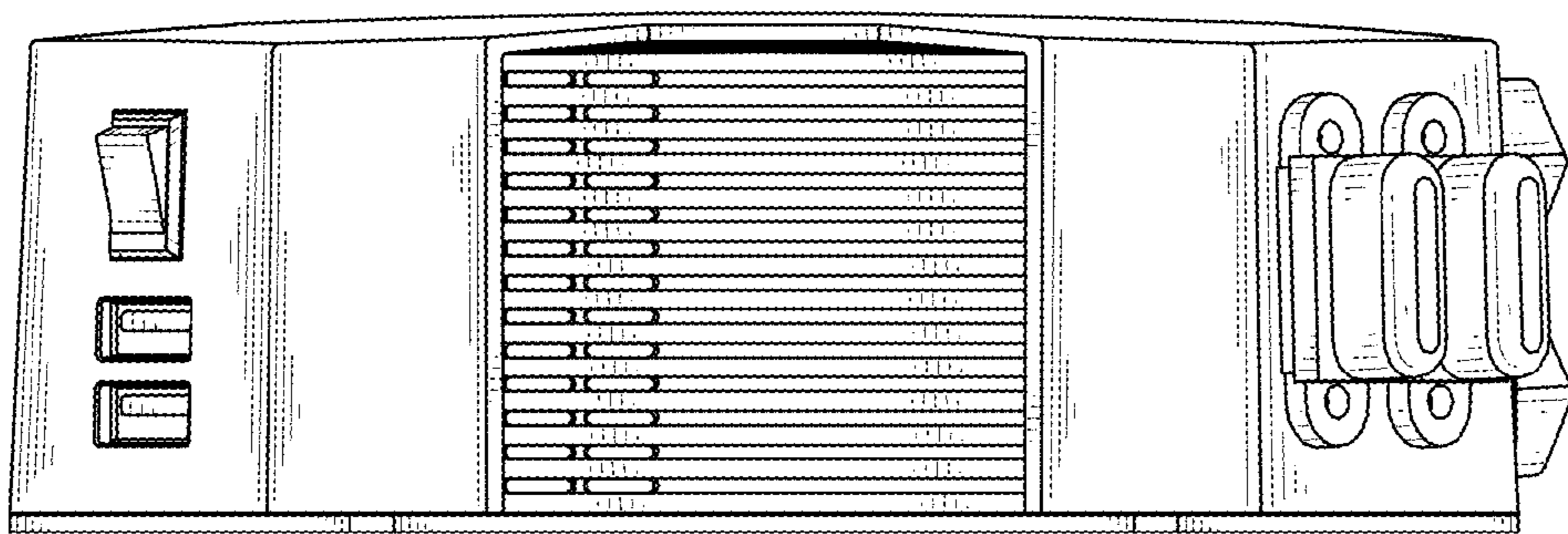


FIG. 2

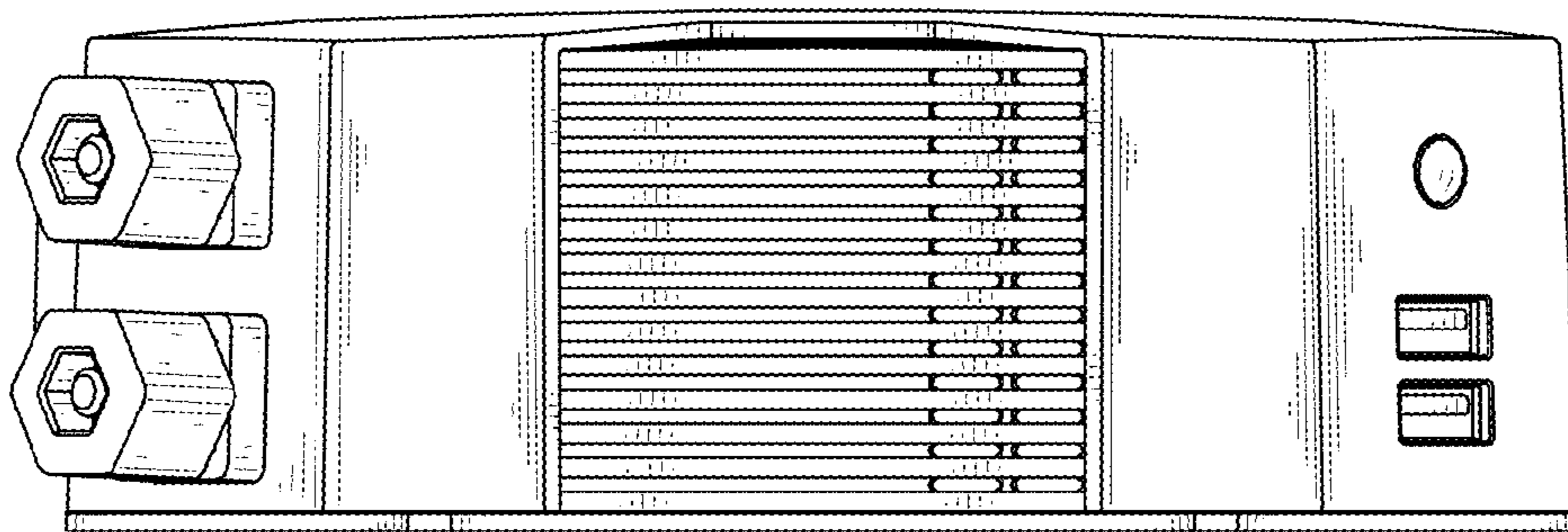


FIG. 3



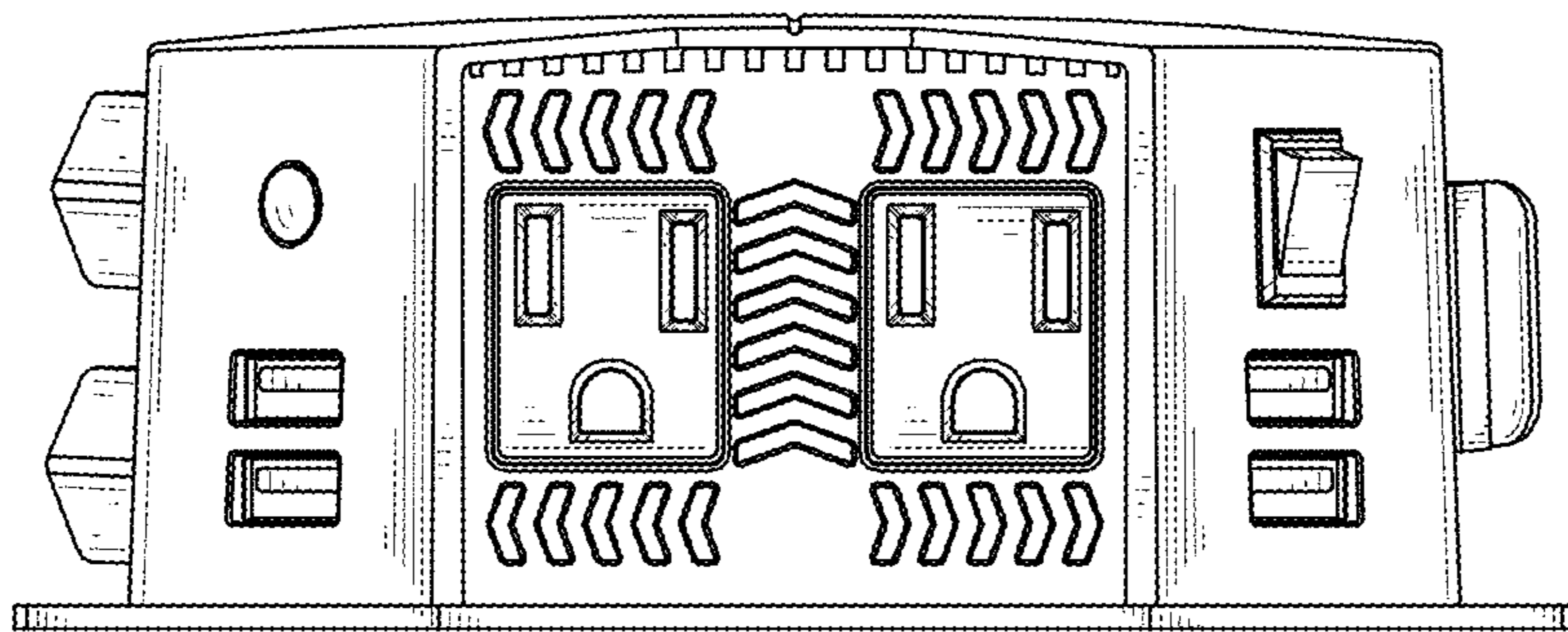


FIG. 4

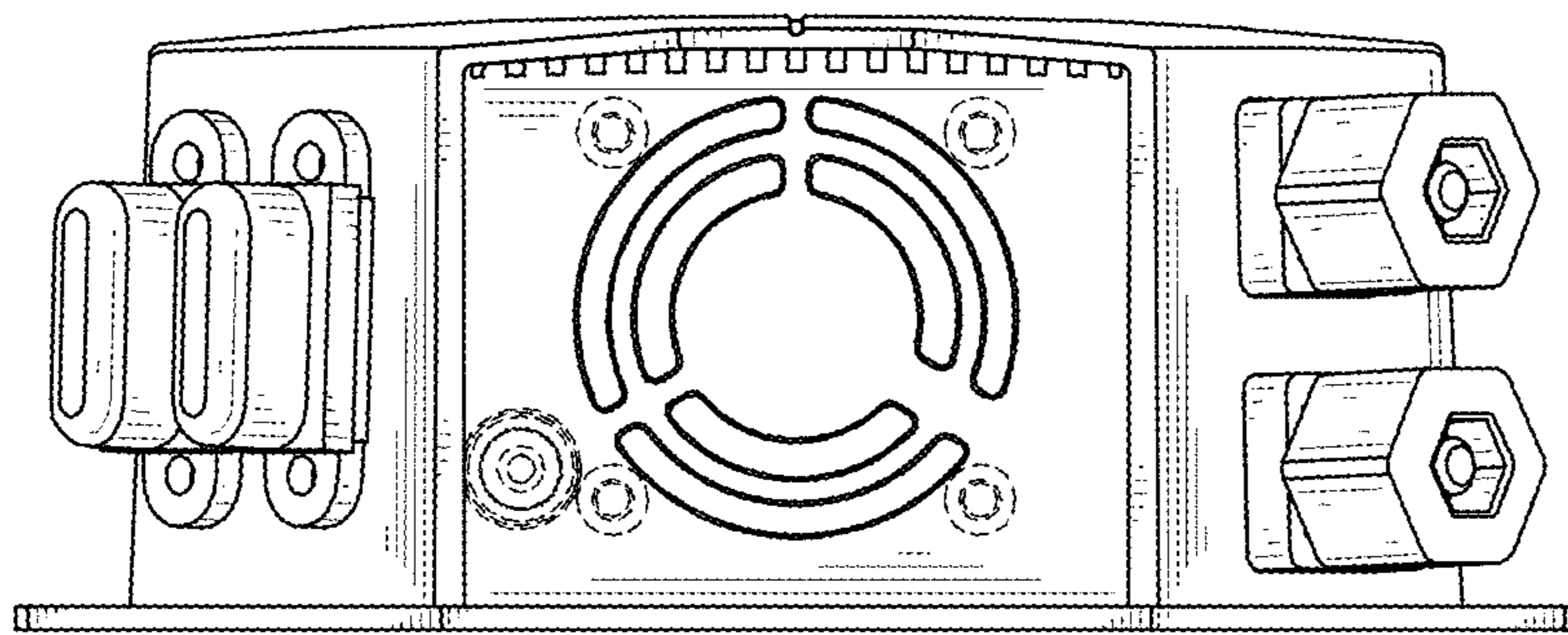


FIG. 5

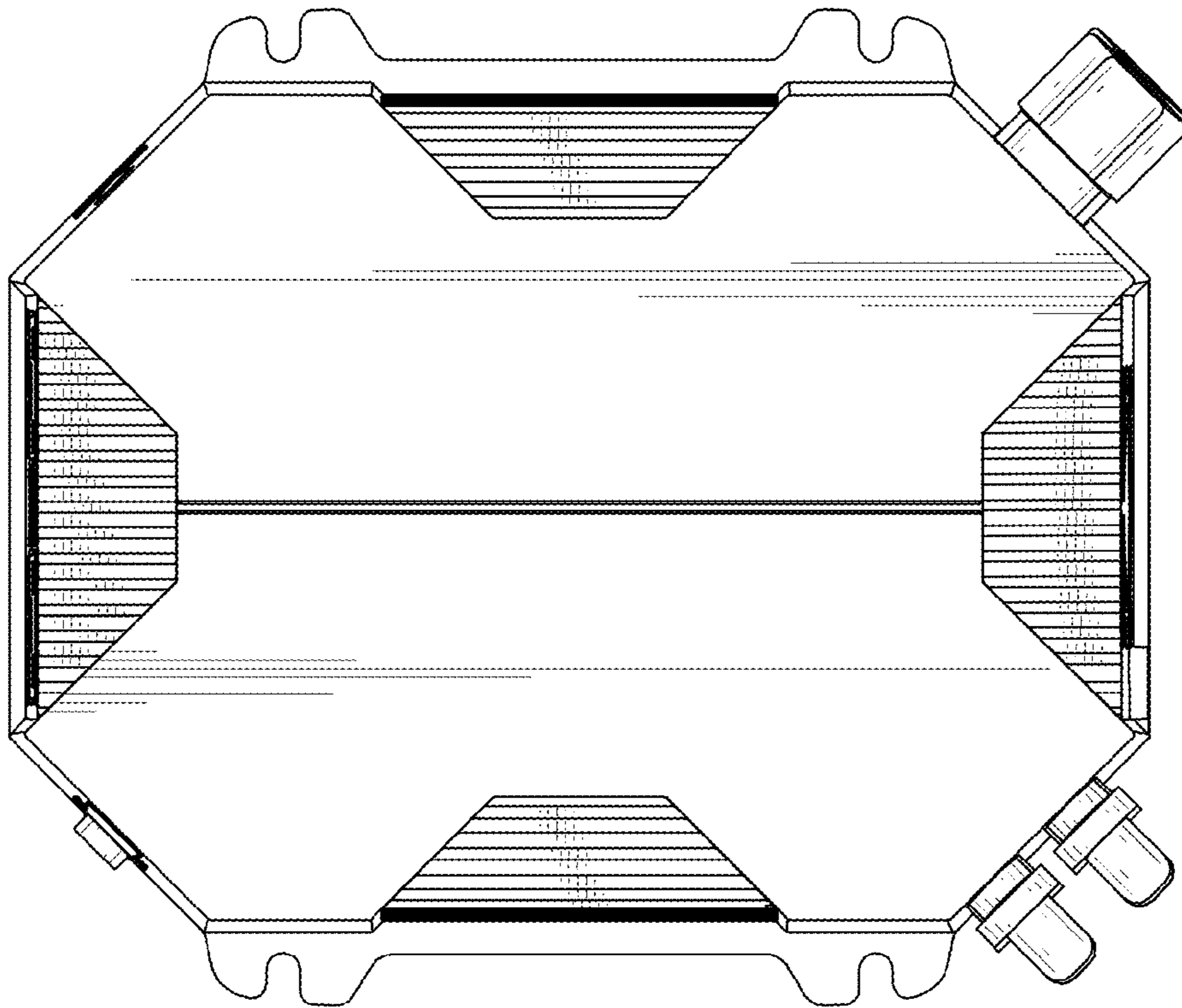


FIG. 6

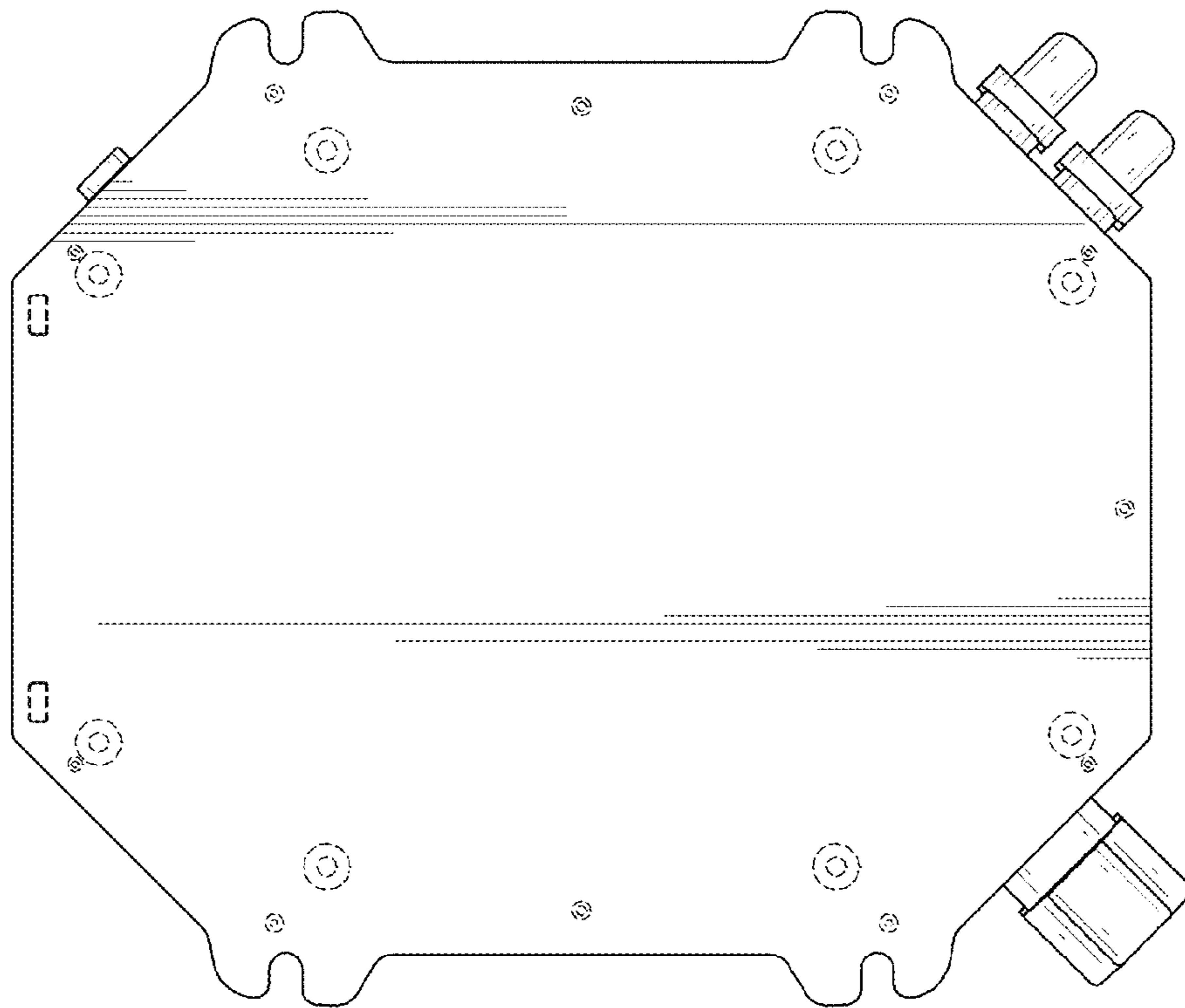


FIG. 7