



US00D766823S

(12) **United States Design Patent** (10) **Patent No.:** **US D766,823 S**  
**Wahl** (45) **Date of Patent:** **\*\* Sep. 20, 2016**

(54) **WIRELESS CHARGING FIXTURE**

(71) Applicant: **Inter IKEA Systems B.V.**, Delft (NL)

(72) Inventor: **David Wahl**, Stockholm (SE)

(73) Assignee: **INTER IKEA SYSTEMS B.V.** (NL)

(\*\*) Term: **15 Years**

(21) Appl. No.: **29/528,933**

(22) Filed: **Jun. 2, 2015**

(30) **Foreign Application Priority Data**

Dec. 2, 2014 (EM) ..... 001429559  
Dec. 2, 2014 (EM) ..... 002589234

(51) **LOC (10) Cl.** ..... **13-02**

(52) **U.S. Cl.**  
USPC ..... **D13/108; D26/93**

(58) **Field of Classification Search**  
USPC ..... D13/107-110, 118-119, 184; D14/251,  
D14/253, 432, 434; D26/93  
CPC ..... Y02E 60/12; Y02T 90/14; Y02T 90/122;  
Y02T 90/128; Y02T 90/163; H02J 7/025;  
H02J 7/0042; H02J 7/0044; H02J 7/0045;  
H02J 7/0003; H01F 38/14; H01R 13/6675;  
H01M 2/1022; H01M 2/1055; H01M 10/44;  
H01M 10/46; H01M 10/425; B60L 11/182  
See application file for complete search history.

(56) **References Cited**

**U.S. PATENT DOCUMENTS**

D620,884 S \* 8/2010 Lee ..... D13/108  
D625,262 S \* 10/2010 Lee ..... D13/118  
D636,724 S \* 4/2011 Nomi ..... D13/108  
D654,431 S \* 2/2012 Stephanchick ..... D13/108  
D654,866 S \* 2/2012 Rautiainen ..... D13/108  
D668,605 S \* 10/2012 Park ..... D13/108  
D694,182 S \* 11/2013 Lee ..... D13/108  
D694,707 S \* 12/2013 Zeng ..... D13/108

D696,190 S \* 12/2013 Brandtman ..... D13/108  
D697,027 S \* 1/2014 Ho ..... D13/108  
D718,233 S \* 11/2014 Aumiller ..... D13/108  
D718,236 S \* 11/2014 Murray ..... D13/108  
D719,146 S \* 12/2014 Herbst ..... D14/253  
D720,288 S \* 12/2014 Ko ..... D13/108  
D720,289 S \* 12/2014 Chiang ..... D13/108  
D725,034 S \* 3/2015 Chen ..... D13/108  
D727,260 S \* 4/2015 Aumiller ..... D13/108  
D735,131 S \* 7/2015 Akana ..... D13/108  
D737,760 S \* 9/2015 Kyriakoulis ..... D13/108  
D738,303 S \* 9/2015 Symons ..... D13/108

(Continued)

*Primary Examiner* — Rosemary K Tarcza

*Assistant Examiner* — Nathaniel D Buckner

(74) *Attorney, Agent, or Firm* — Condo Roccia Koptiw LLP

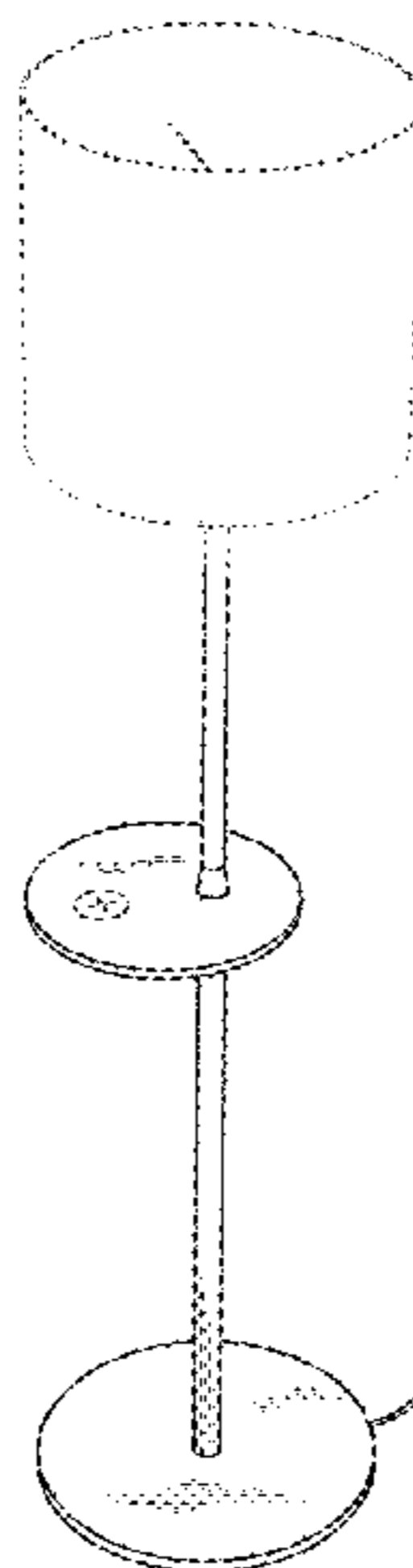
(57) **CLAIM**

The ornamental design for a wireless charging fixture, as shown and described.

**DESCRIPTION**

FIG. 1 is a first perspective view of a wireless charging fixture embodying my new design;  
FIG. 2 is a second perspective view of the wireless charging fixture of FIG. 1;  
FIG. 3 is a top view of the wireless charging fixture of FIG. 1;  
FIG. 4 is a first side view of the wireless charging fixture of FIG. 1;  
FIG. 5 is a bottom view of the wireless charging fixture of FIG. 1;  
FIG. 6 is a second side view of the wireless charging fixture of FIG. 1;  
FIG. 7 is a third side view of the wireless charging fixture of FIG. 1; and,  
FIG. 8 is a fourth side view of the wireless charging fixture of FIG. 1.  
The broken lines in the figures represent portions of the article which form no part of the claim.

**1 Claim, 8 Drawing Sheets**



# US D766,823 S

Page 2

---

(56)

## References Cited

### U.S. PATENT DOCUMENTS

D740,750 S \* 10/2015 Mayden ..... D13/108  
D741,256 S \* 10/2015 Murphy-Reinhertz ..... D13/108  
D742,823 S \* 11/2015 Nitz ..... D13/103  
D746,772 S \* 1/2016 Aumiller ..... D13/108

D747,267 S \* 1/2016 Aumiller ..... D13/108  
D748,575 S \* 2/2016 Bulgarov ..... D13/108  
D749,044 S \* 2/2016 Huang ..... D13/108  
D749,504 S \* 2/2016 Jeong ..... D13/108  
D752,051 S \* 3/2016 Chen ..... D14/434

\* cited by examiner

FIG. 1

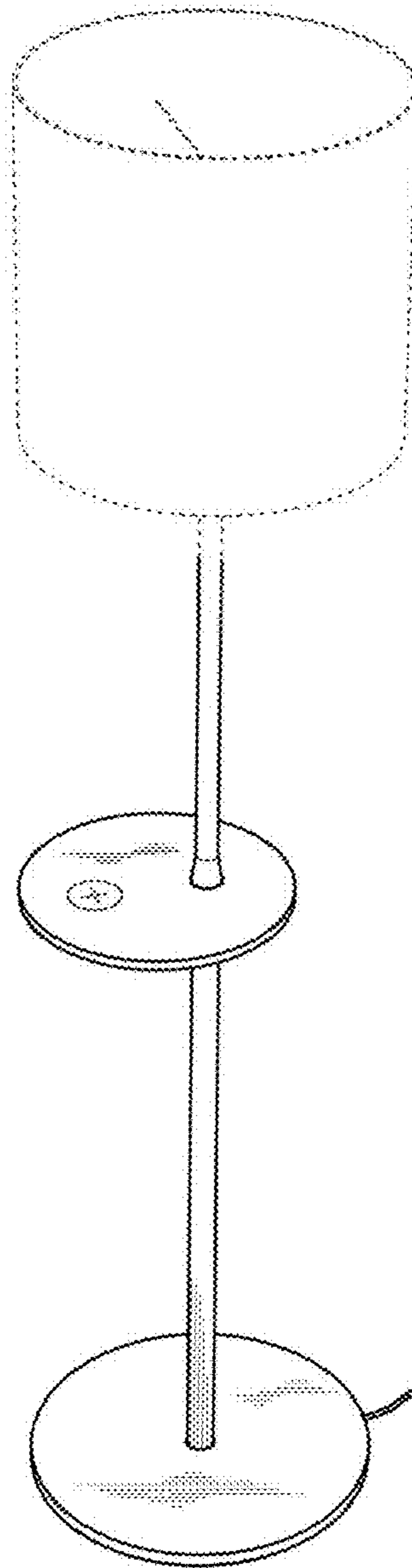


FIG. 2

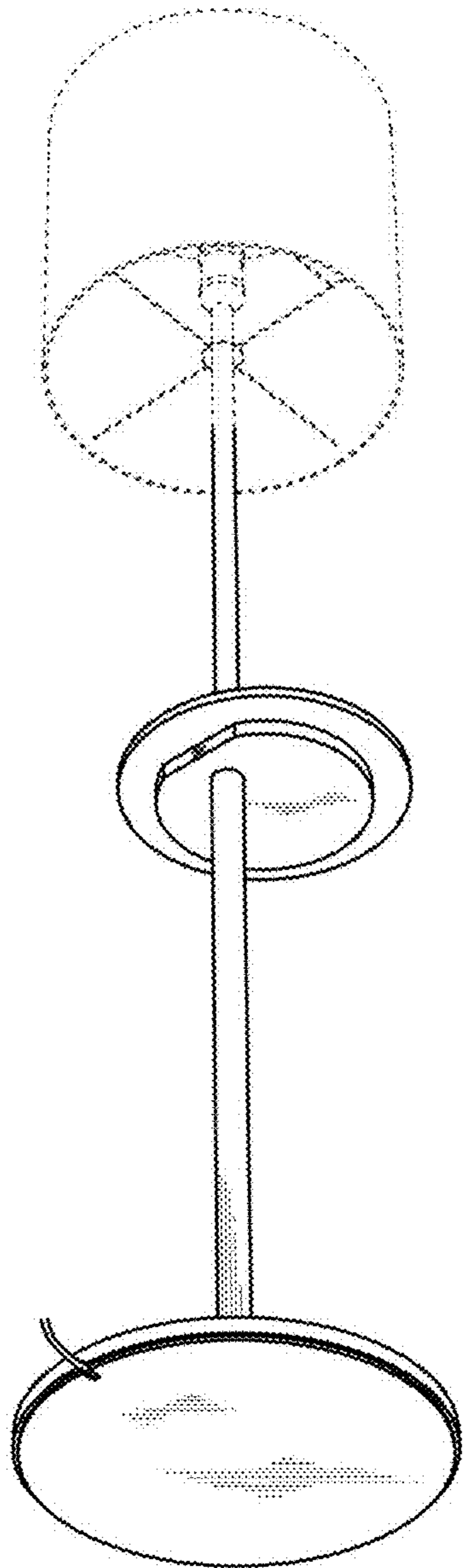


FIG. 3

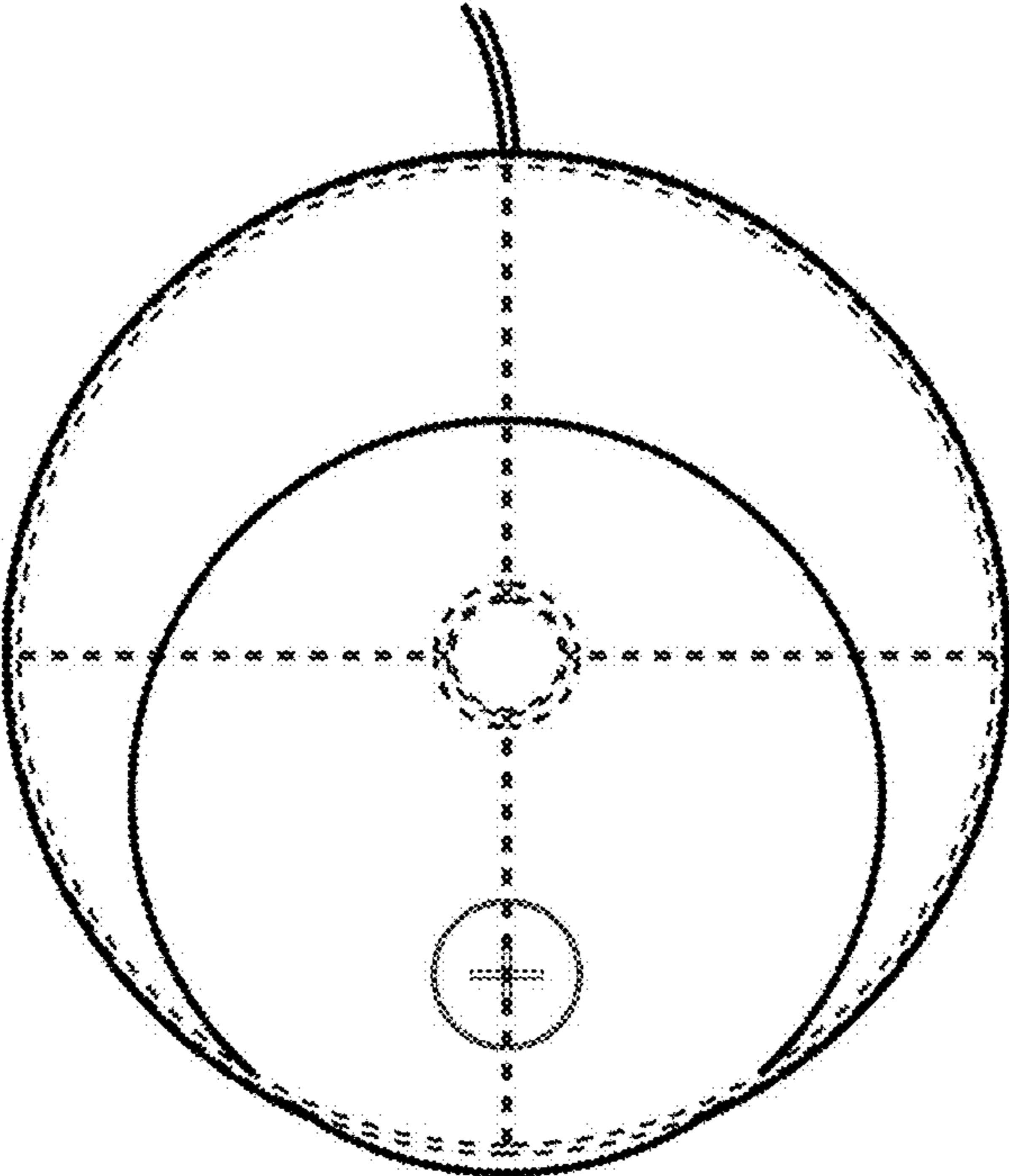


FIG. 4

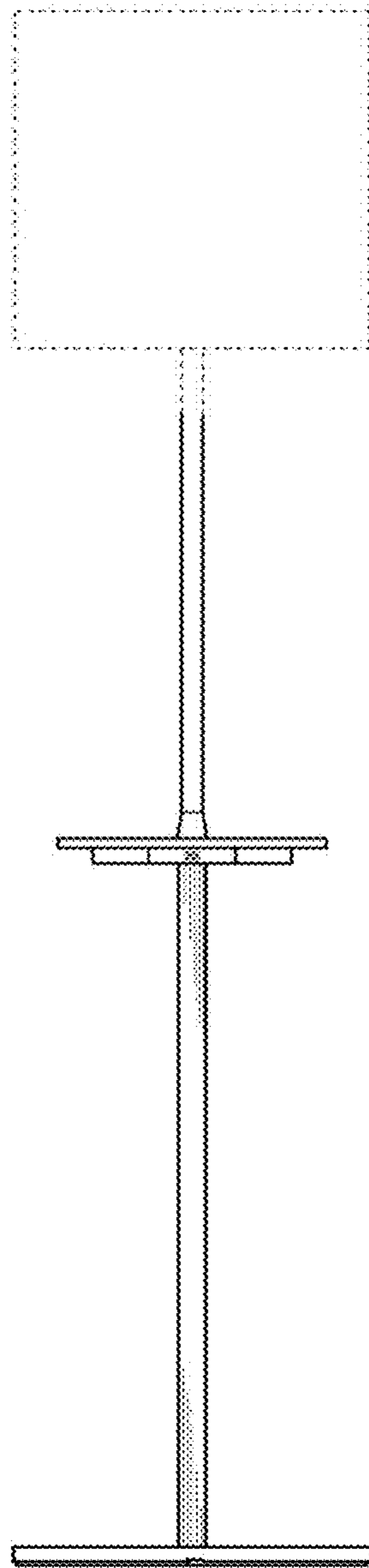


FIG. 5

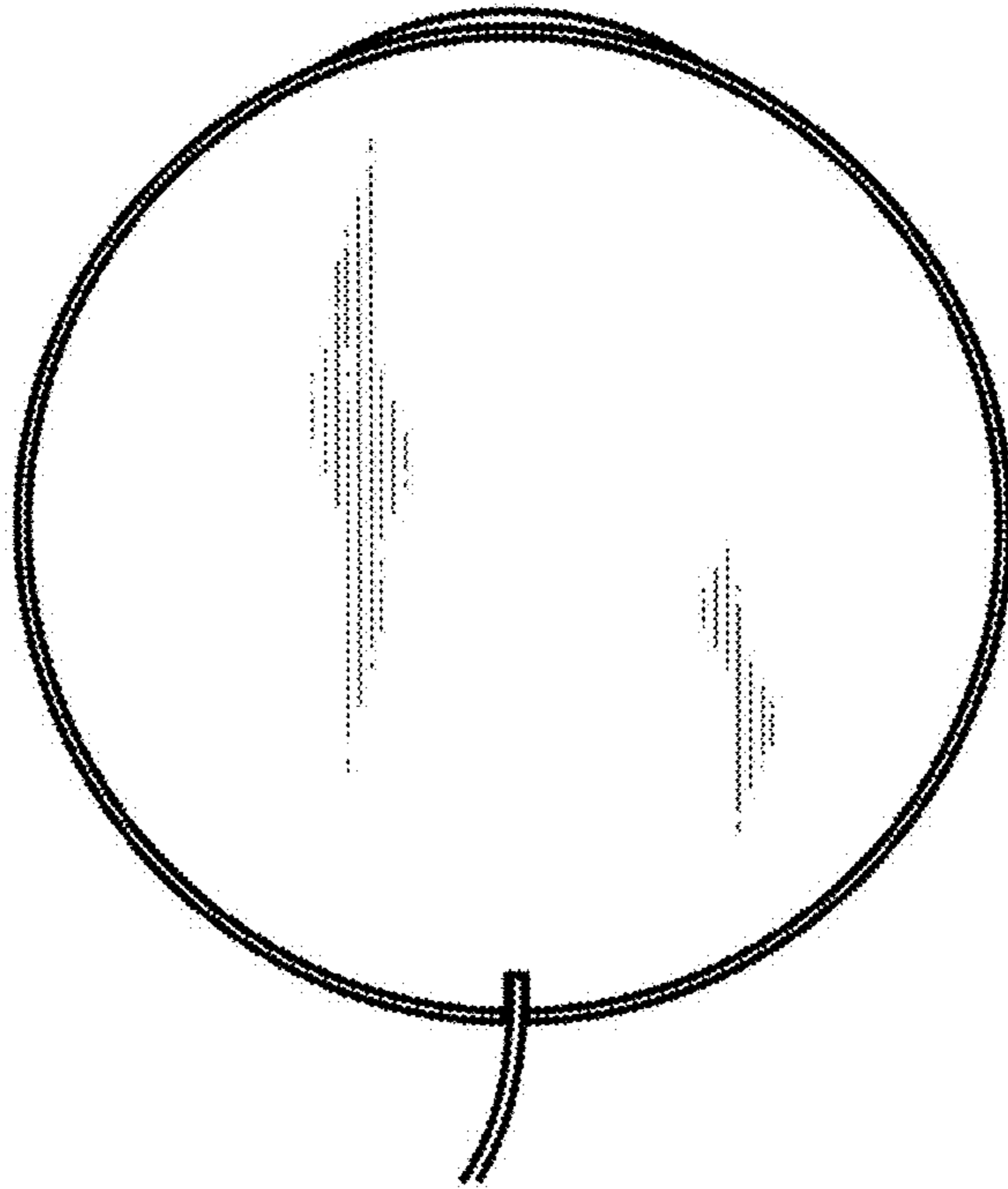


FIG. 6

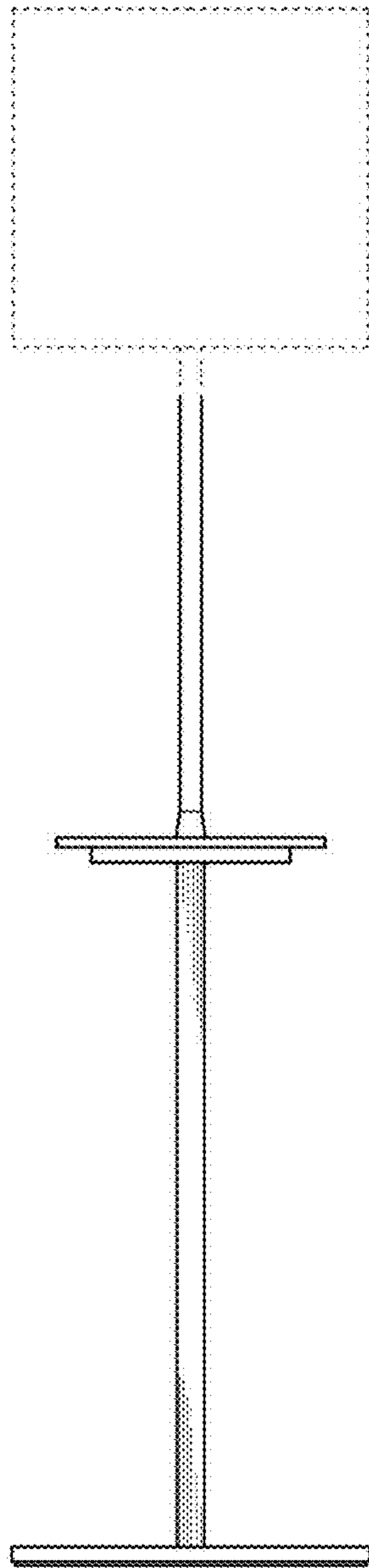




FIG. 7

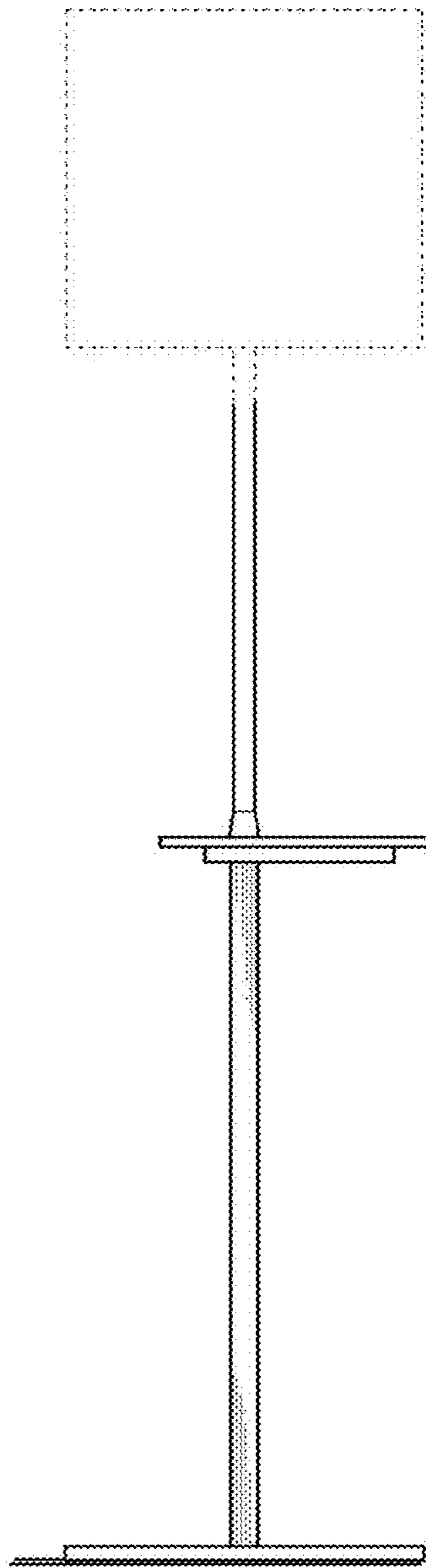


FIG. 8

