

US00D766822S

(12) **United States Design Patent** (10) **Patent No.:** **US D766,822 S**
Esses (45) **Date of Patent:** **** Sep. 20, 2016**

- (54) **CHARGING DEVICE**
- (71) Applicant: **Premier Accessory Group LLC**,
Edison, NJ (US)
- (72) Inventor: **Alfred Esses**, Brooklyn, NY (US)
- (73) Assignee: **Premier Accessory Group LLC**,
Edison, NJ (US)
- (**) Term: **15 Years**
- (21) Appl. No.: **29/564,320**
- (22) Filed: **May 12, 2016**

Related U.S. Application Data

- (63) Continuation-in-part of application No. 29/551,622,
filed on Jan. 14, 2016.
- (51) **LOC (10) Cl.** **13-02**
- (52) **U.S. Cl.**
USPC **D13/107**
- (58) **Field of Classification Search**
USPC D13/107-110, 118-119, 133, 144, 184;
D14/155, 251, 253, 432, 434; D28/85
CPC Y02E 60/12; Y02T 90/14; Y02T 90/122;
Y02T 90/128; Y02T 90/163; H02J 7/025;
H02J 7/0042; H02J 7/0044; H02J 7/0045;
H02J 7/0003; H02J 7/0054; H02J 7/0055;
H02J 7/0057; H01F 38/14; H01M 2/1022;
H01M 2/1055; H01M 10/44; H01M 10/46;
H01M 10/425; H01R 13/70; H01R 13/71;
H01R 13/66; H01R 13/6675; H01R 2201/26;
H05K 11/02; B60L 11/182
See application file for complete search history.

(56) **References Cited**

U.S. PATENT DOCUMENTS

- D297,518 S * 9/1988 Yuen D10/106.1
- D501,279 S * 1/2005 Dittmer D28/85

- D525,201 S * 7/2006 Navarrez D13/107
- D575,729 S * 8/2008 Nomi D13/107
- D579,880 S * 11/2008 Birmingham D13/133
- D644,108 S * 8/2011 Vila Calvo D9/529
- D656,465 S 3/2012 Au
- D657,310 S * 4/2012 Fahrendorff D13/110
- D660,798 S * 5/2012 Tseng D13/110
- D661,248 S * 6/2012 Fahrendorff D13/107
- D665,734 S * 8/2012 Fitch D13/107
- D677,623 S * 3/2013 Fitch D13/108
- D693,768 S 11/2013 Alesi et al.
- D701,838 S 4/2014 Esses
- D704,639 S 5/2014 Alesi et al.

(Continued)

FOREIGN PATENT DOCUMENTS

- EM 002450403-0002 S 6/2014

Primary Examiner — Rosemary K Tarcza

Assistant Examiner — Nathaniel D Buckner

(74) *Attorney, Agent, or Firm* — Gottlieb, Rackman & Reisman, P.C.

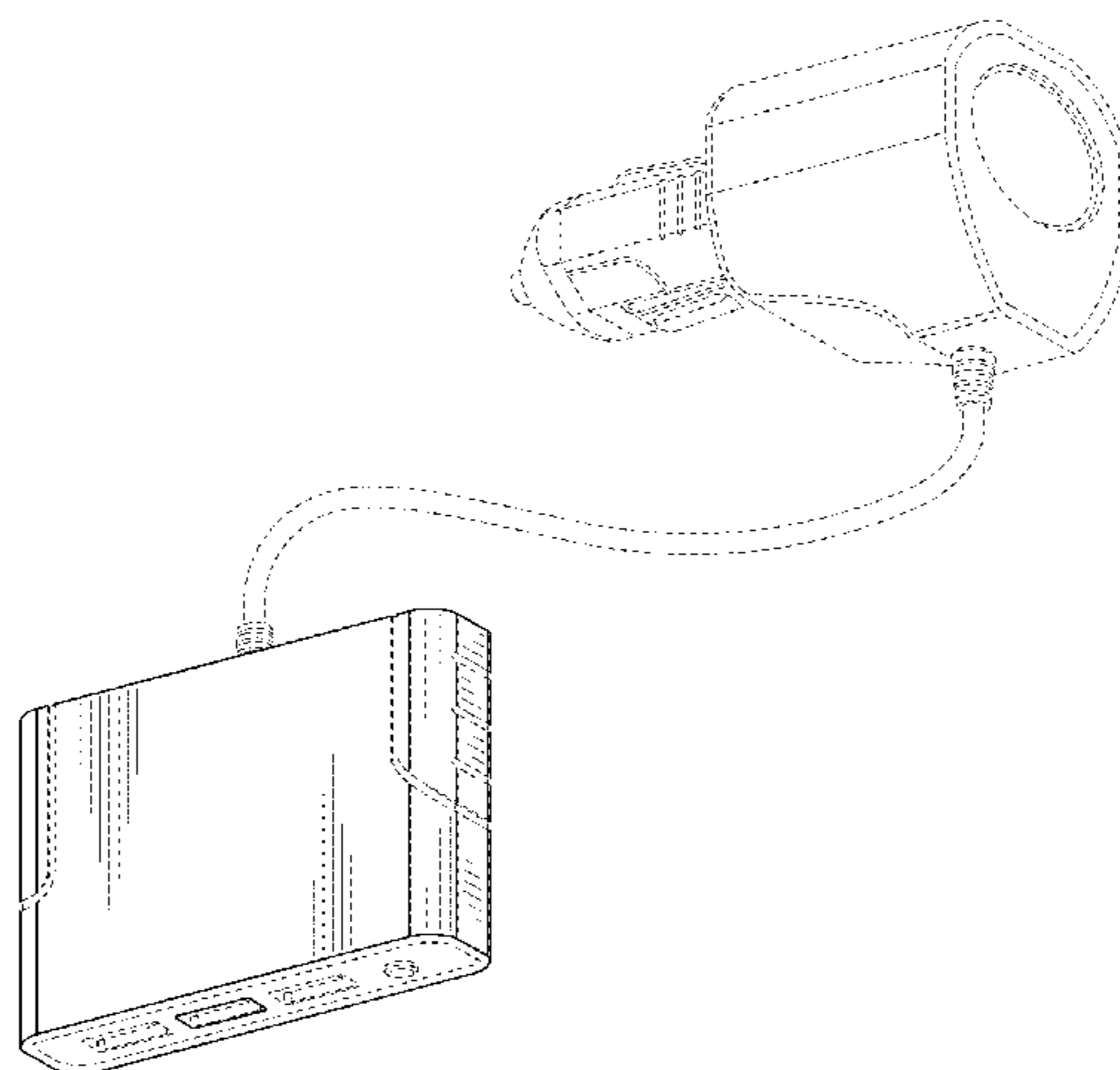
(57) **CLAIM**

The ornamental design for a charging device, as shown and described.

DESCRIPTION

FIG. 1 is a first perspective view of a charging device showing my new design;
 FIG. 2 is a top view thereof;
 FIG. 3 is a bottom view thereof;
 FIG. 4 is a first side view thereof;
 FIG. 5 is a second side view thereof;
 FIG. 6 is a rear view thereof;
 FIG. 7 is a front view thereof; and,
 FIG. 8 is a second perspective view thereof.
 The broken lines shown in the drawings are included for the purpose of illustrating portions of the article that form no part of the claimed design.

1 Claim, 6 Drawing Sheets



US D766,822 S

Page 2

(56)

References Cited

U.S. PATENT DOCUMENTS

D728,471 S *	5/2015	Alesi	D13/110	
D732,023 S *	6/2015	Asao	D14/358	* cited by examiner
D738,302 S *	9/2015	Jeong	D13/108	
D740,751 S *	10/2015	Akana	D13/110	
D746,227 S *	12/2015	Lemire-Elmore	D13/107	

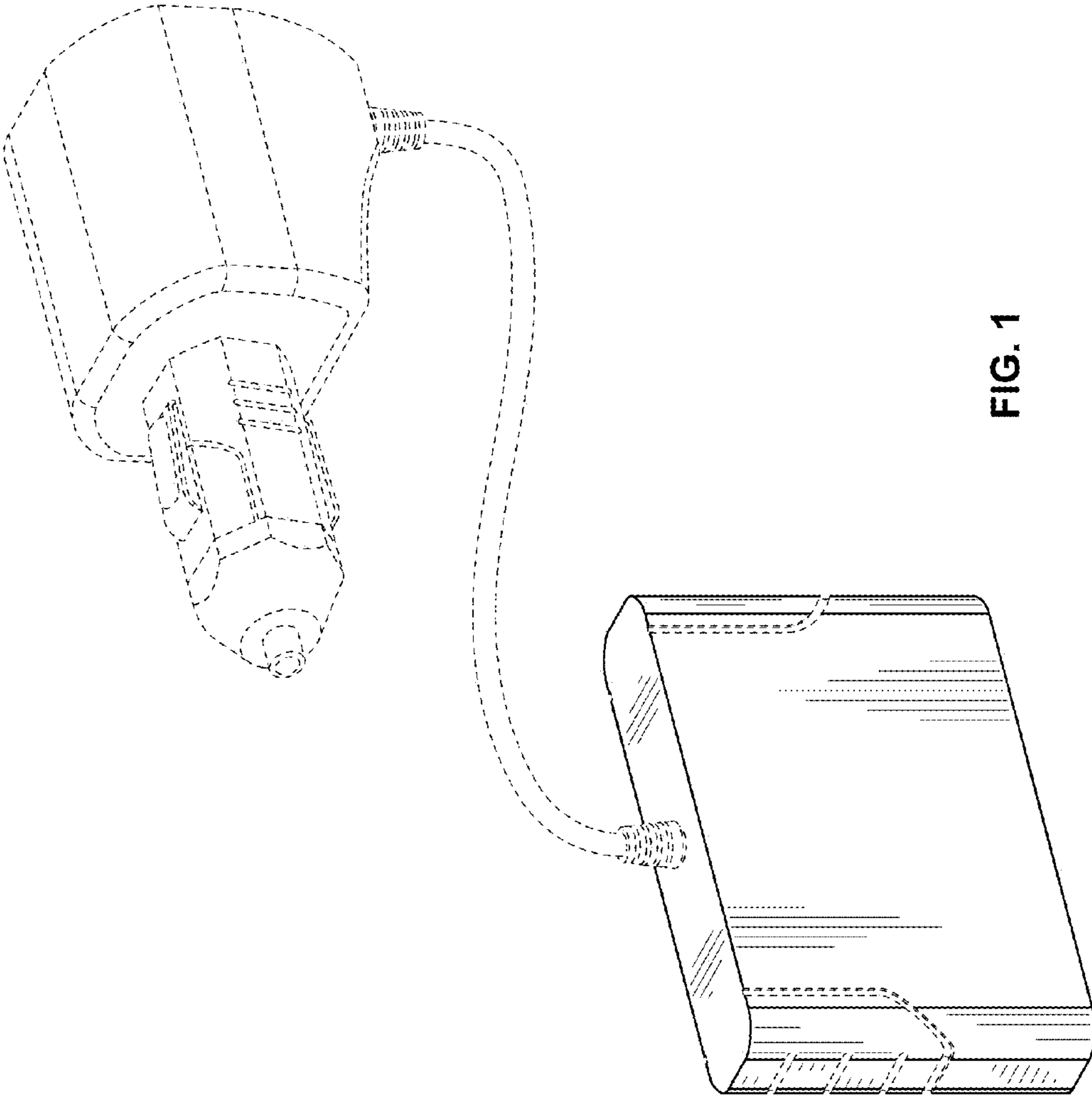


FIG. 1

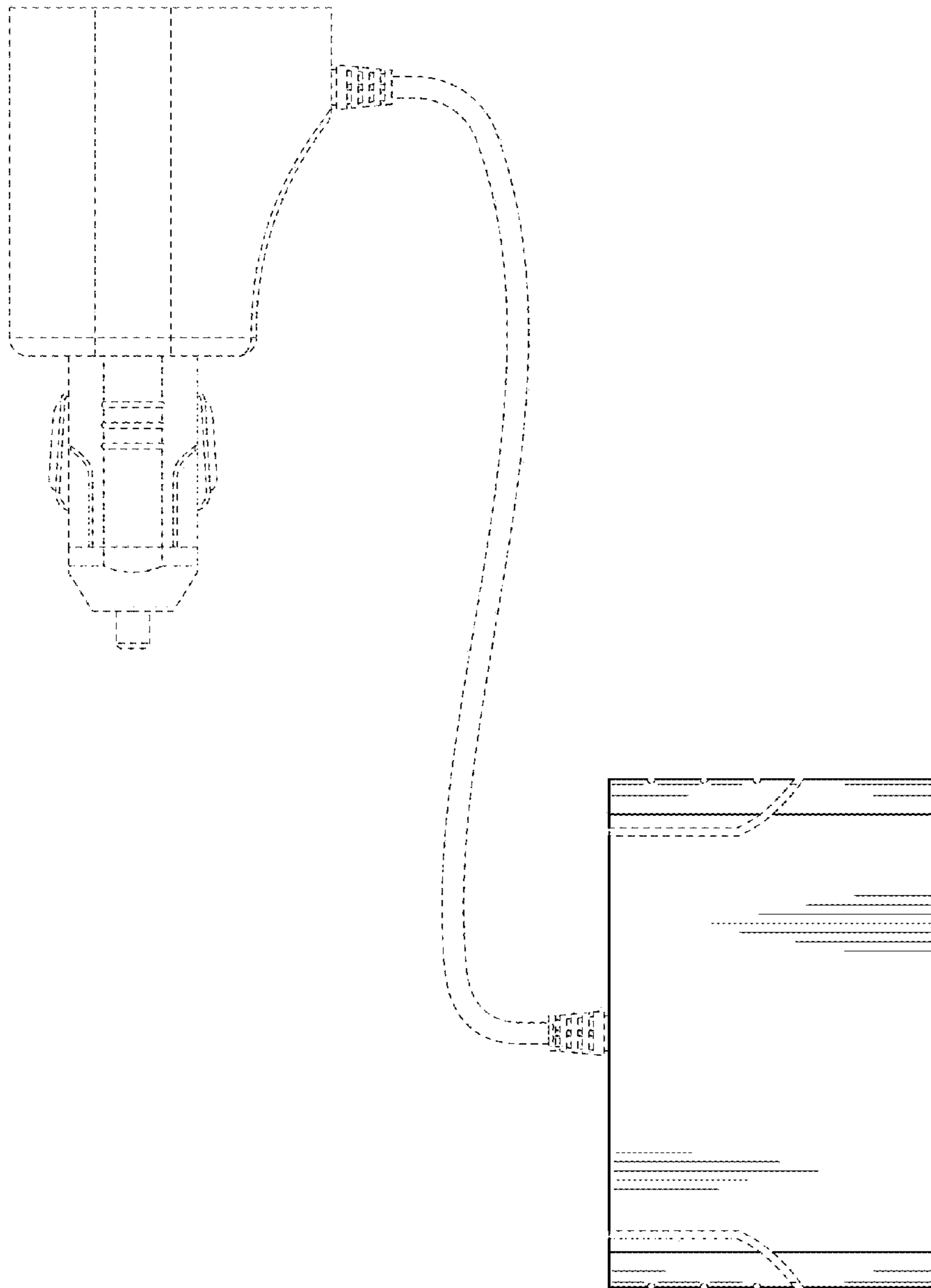


FIG. 2

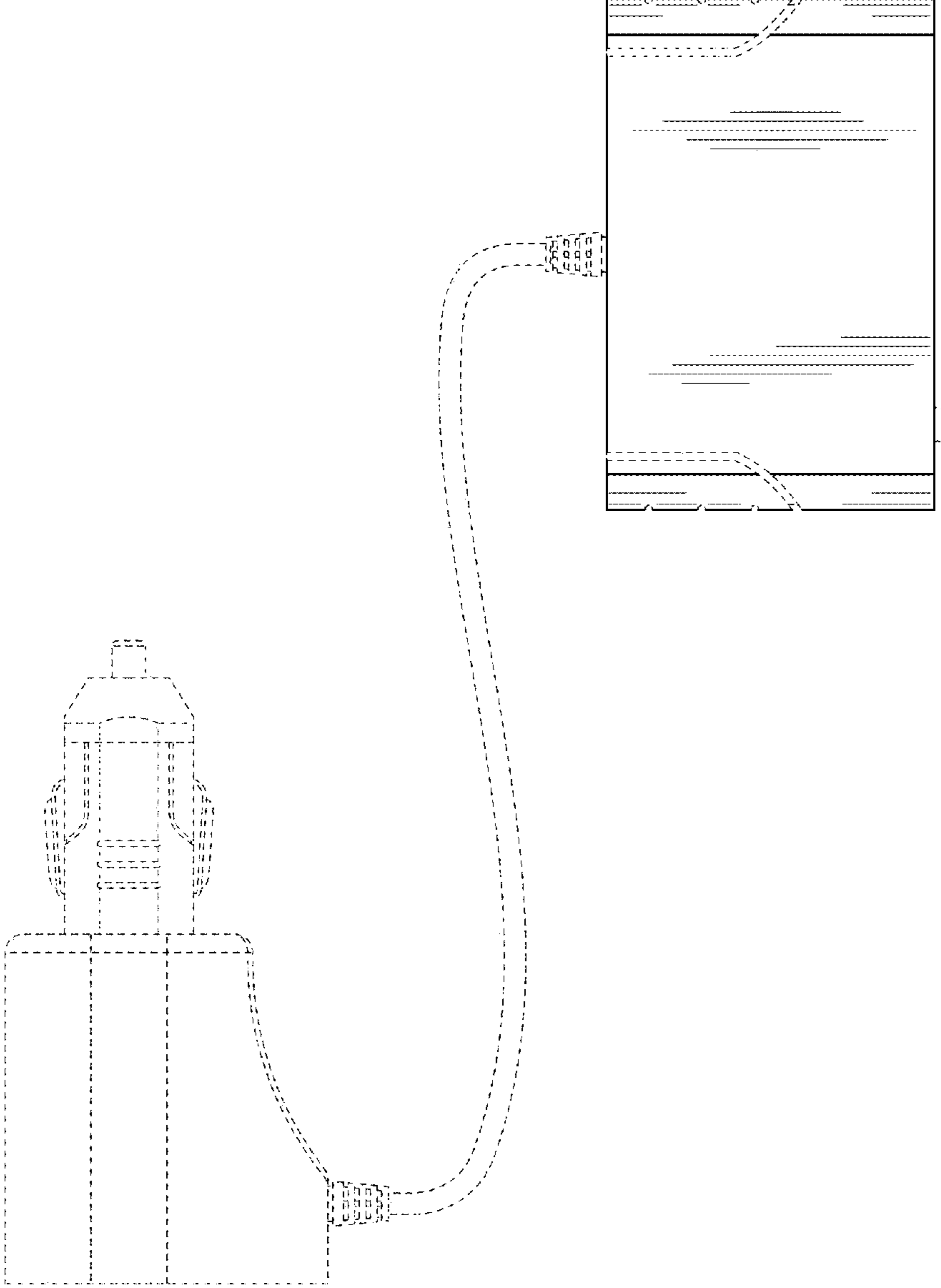


FIG. 3

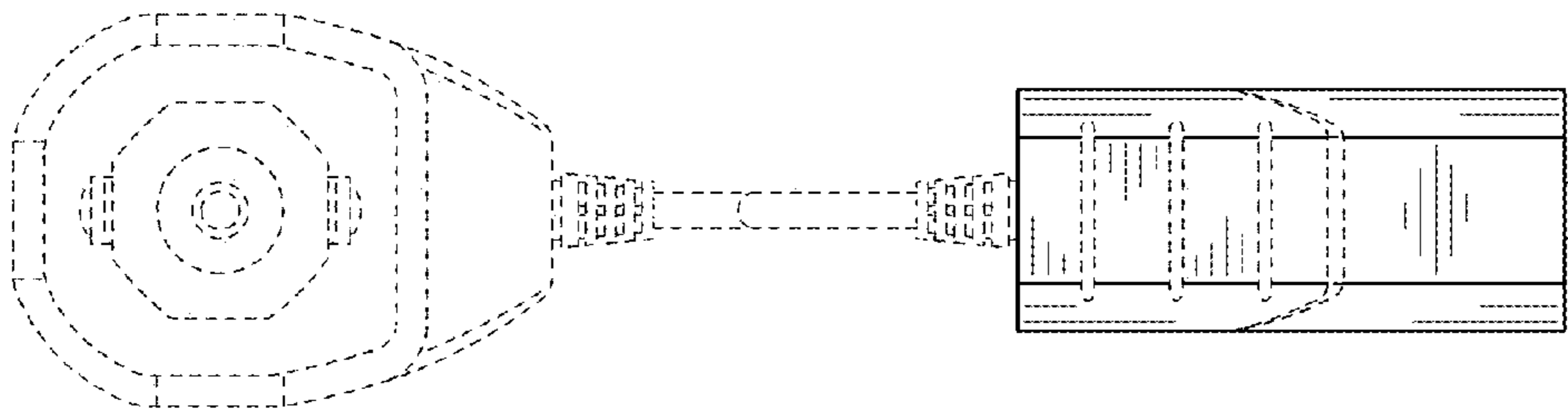


FIG. 5

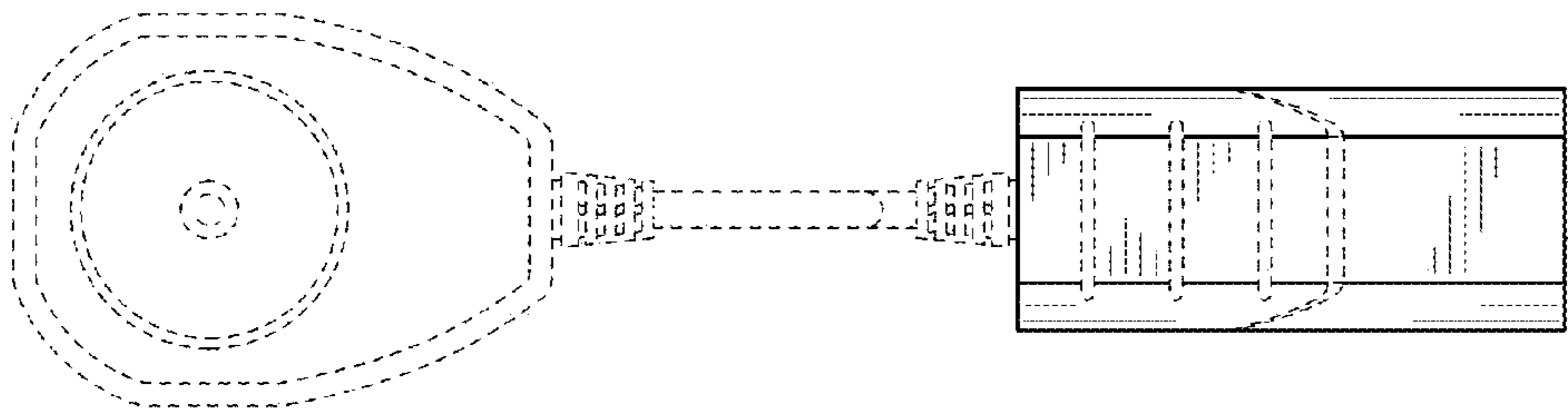


FIG. 4

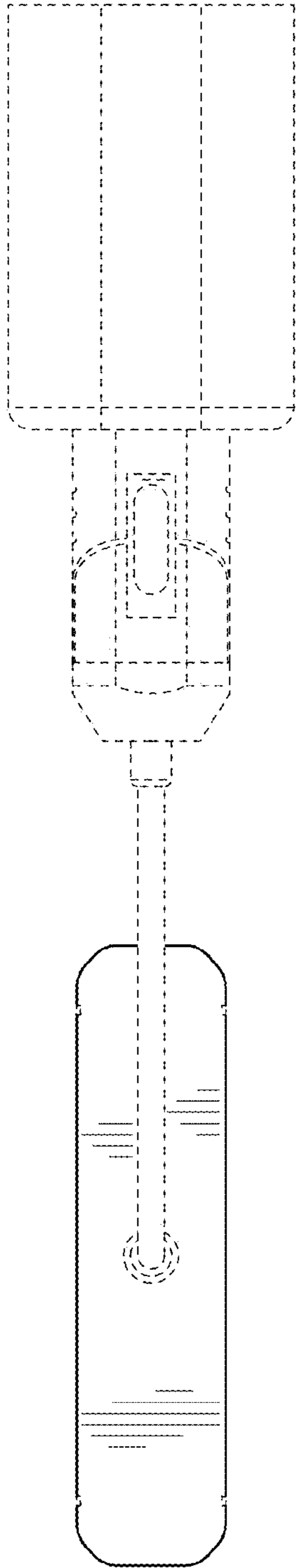


FIG. 6

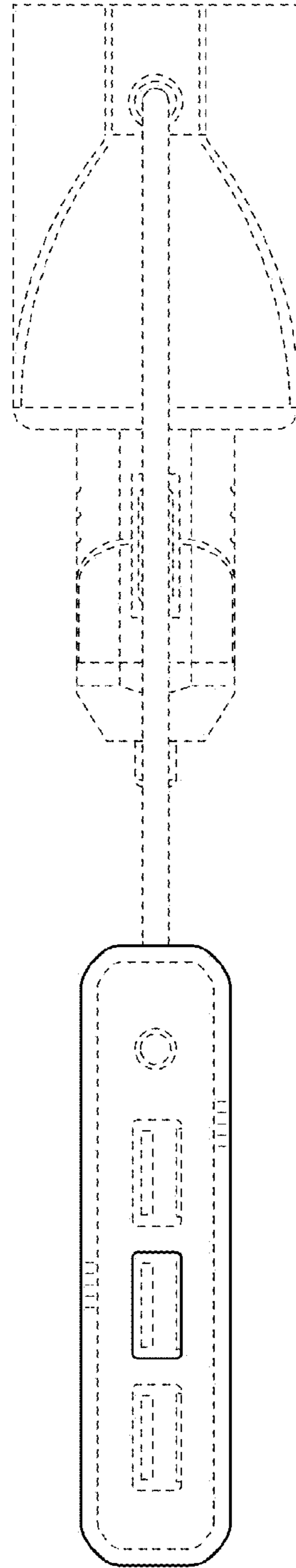


FIG. 7

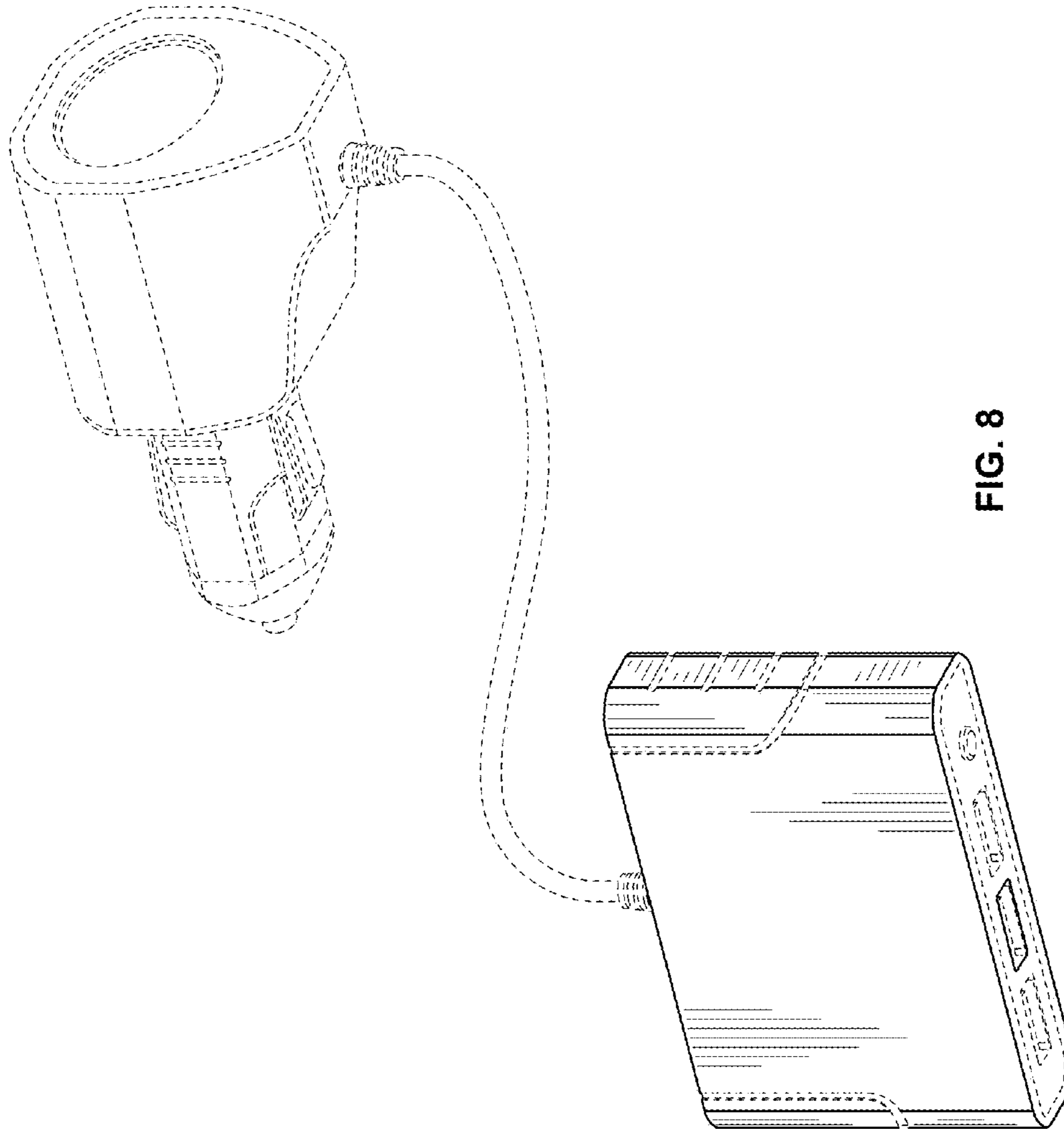


FIG. 8