



US00D766821S

(12) **United States Design Patent**
Chan et al.

(10) **Patent No.:** **US D766,821 S**
(45) **Date of Patent:** **** Sep. 20, 2016**

- (54) **ELECTRICAL CHARGER**
- (71) Applicant: **Linear Flux Company Limited**,
Cheung Sha Wan, Kowloon (HK)
- (72) Inventors: **Ka Lun Chan**, Cheung Sha Wan (HK);
Sin Yee Fung, Cheung Sha Wan (HK)
- (73) Assignee: **Linear Flux Company Limited**,
Kowloon (HK)
- (**) Term: **14 Years**
- (21) Appl. No.: **29/522,818**
- (22) Filed: **Apr. 2, 2015**
- (51) **LOC (10) Cl.** **13-02**
- (52) **U.S. Cl.**
USPC **D13/107**
- (58) **Field of Classification Search**
USPC D13/107–110, 118–119, 184; D14/251,
D14/253, 432, 434
CPC Y02E 60/12; Y02T 90/14; Y02T 90/122;
Y02T 90/128; Y02T 90/163; H02J 7/025;
H02J 7/0042; H02J 7/0044; H02J 7/0045;
H02J 7/0003; H01F 38/14; H01R 13/6675;
H01M 2/1022; H01M 2/1055; H01M 10/44;
H01M 10/46; H01M 10/425; B60L 11/182
See application file for complete search history.

(56) **References Cited**

U.S. PATENT DOCUMENTS

D383,115 S	*	9/1997	Nagele	D13/110
D520,997 S	*	5/2006	Lee	D14/356
D529,495 S	*	10/2006	Kent	D14/356
D580,354 S		11/2008	Dunbar et al.		
D588,146 S	*	3/2009	Tsuboi	D14/356
D588,147 S	*	3/2009	Finlayson	D14/480.5
D610,538 S		2/2010	Wu et al.		
D618,237 S		6/2010	Wang		
D628,153 S		11/2010	Fujii et al.		
D628,535 S		12/2010	Cheng		

D645,049 S	*	9/2011	Faranda	D13/108
D652,379 S	*	1/2012	Vandiver	D13/108
D659,094 S		5/2012	Brand et al.		
D667,788 S		9/2012	Mai		
D674,748 S		1/2013	Ferber et al.		
D675,156 S		1/2013	Vandiver et al.		
D680,063 S		4/2013	Sasada		
D682,196 S		5/2013	Leung		
D682,197 S		5/2013	Leung		
D686,153 S		7/2013	Qu		
D697,867 S		1/2014	Weinstein et al.		
D705,161 S	*	5/2014	Chen	D13/110
D712,351 S	*	9/2014	Zeng	D13/103
D713,785 S		9/2014	Tehrani		
D717,488 S	*	11/2014	Martin	D27/141
D725,588 S	*	3/2015	Iaconis	D13/103
D742,310 S	*	11/2015	Yen	D13/108
D743,332 S	*	11/2015	Ju	D13/103
D745,456 S	*	12/2015	Fung	D13/108
2007/0072042 A1	*	3/2007	Lam	H01M 8/04201 429/443
2014/0042969 A1		2/2014	Miller et al.		

* cited by examiner

Primary Examiner — Rosemary K Tarcza
Assistant Examiner — Nathaniel D Buckner
(74) *Attorney, Agent, or Firm* — Thomas Schneck

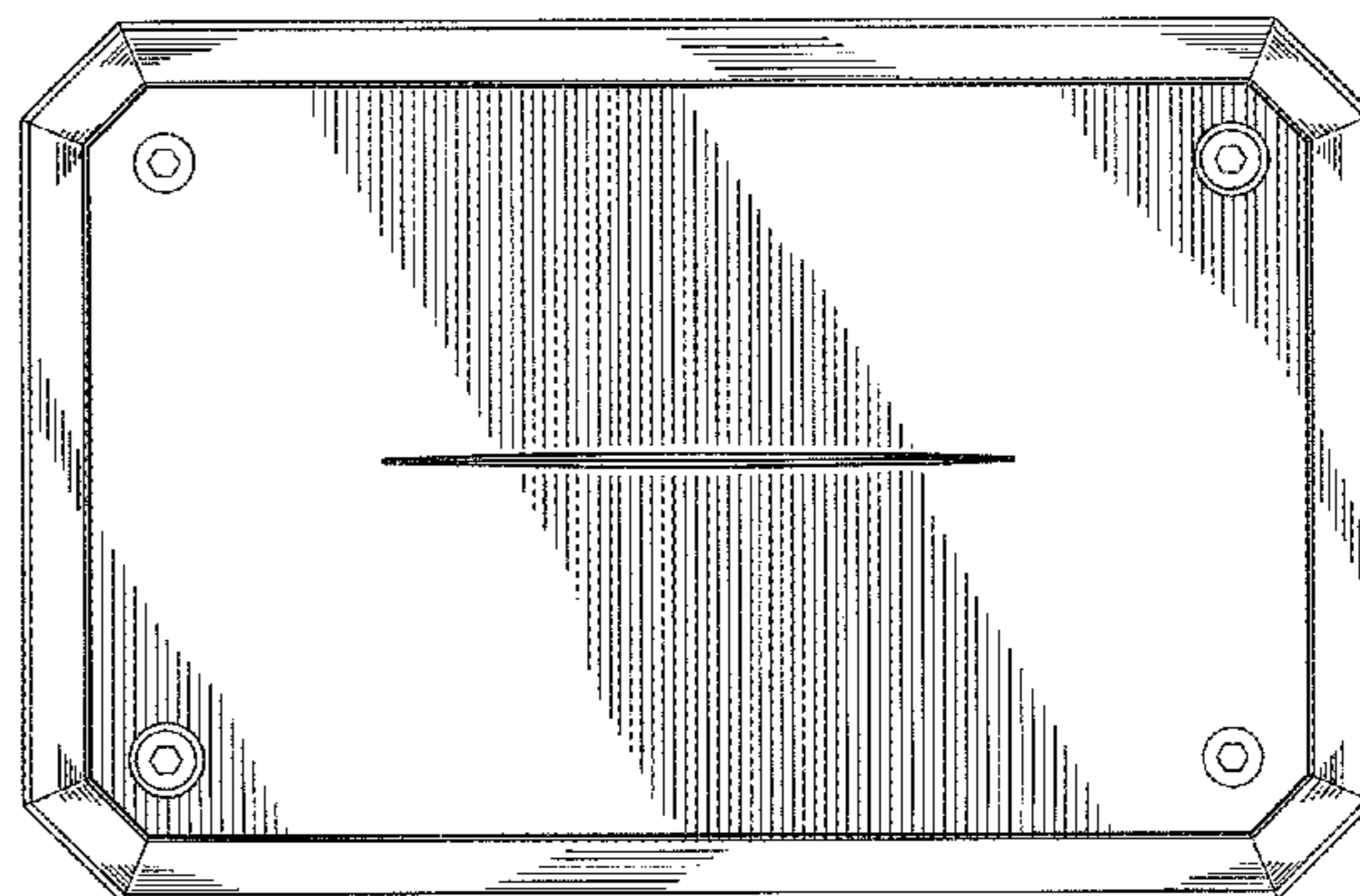
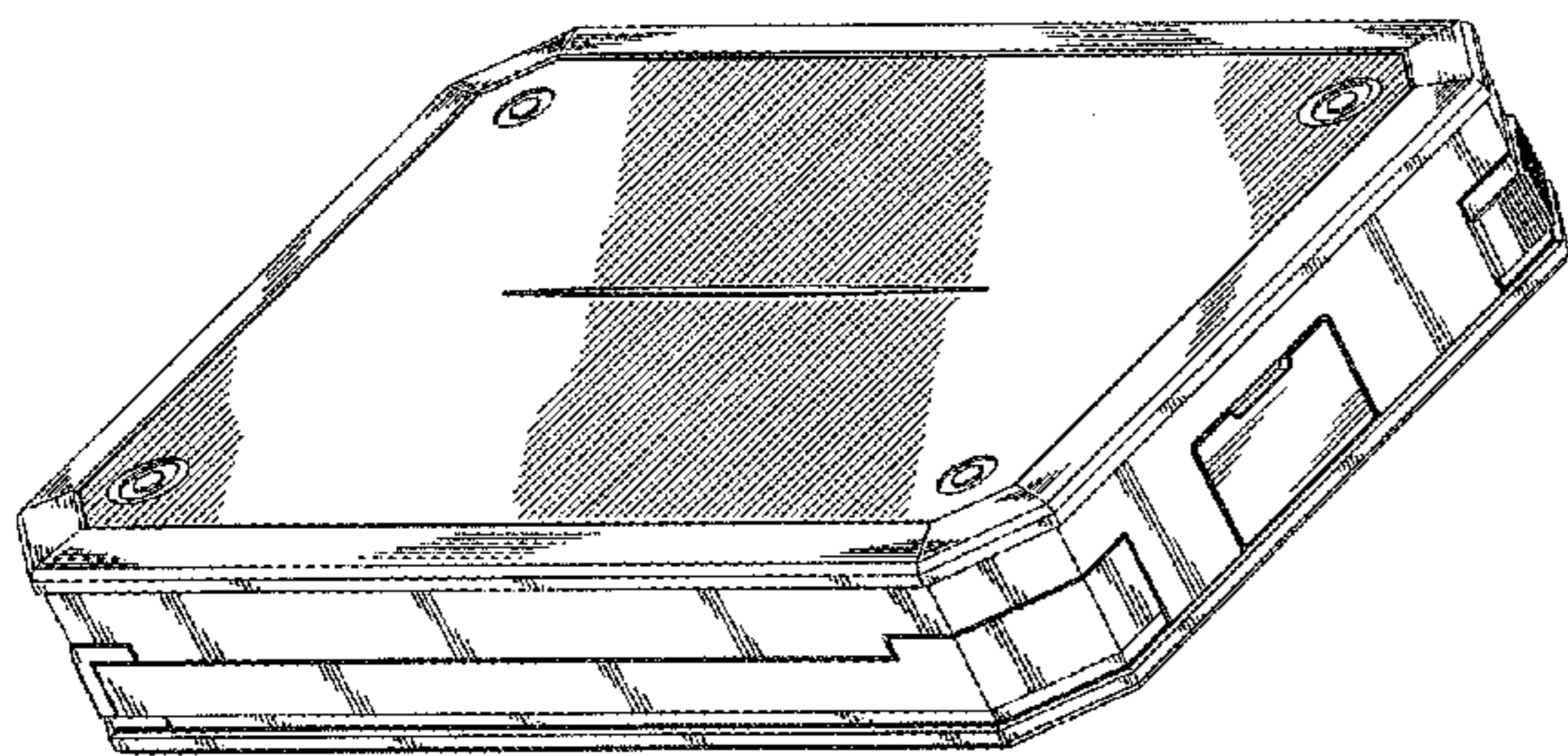
(57) **CLAIM**

The ornamental design for an electrical charger, as shown and described.

DESCRIPTION

FIG. 1 is a top rearward perspective view of an electrical charger of our new design;
FIG. 2 is a top front perspective view thereof;
FIG. 3 is a top view thereof;
FIG. 4 is a bottom view thereof;
FIG. 5 is a topside down front view thereof;
FIG. 6 is a rear view thereof;
FIG. 7 is a right topside down view thereof; and,
FIG. 8 is a left view thereof.

1 Claim, 6 Drawing Sheets



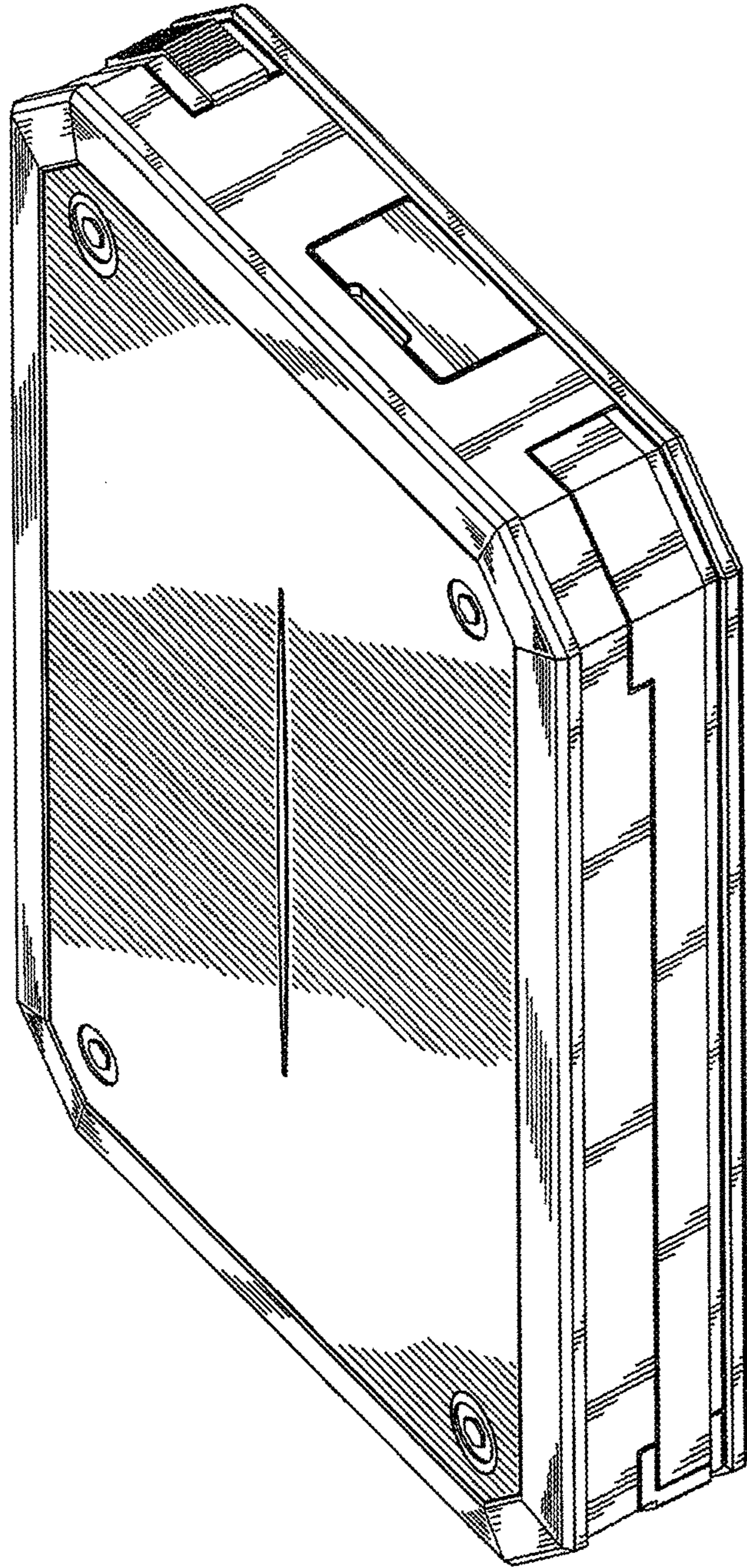


Fig. 1

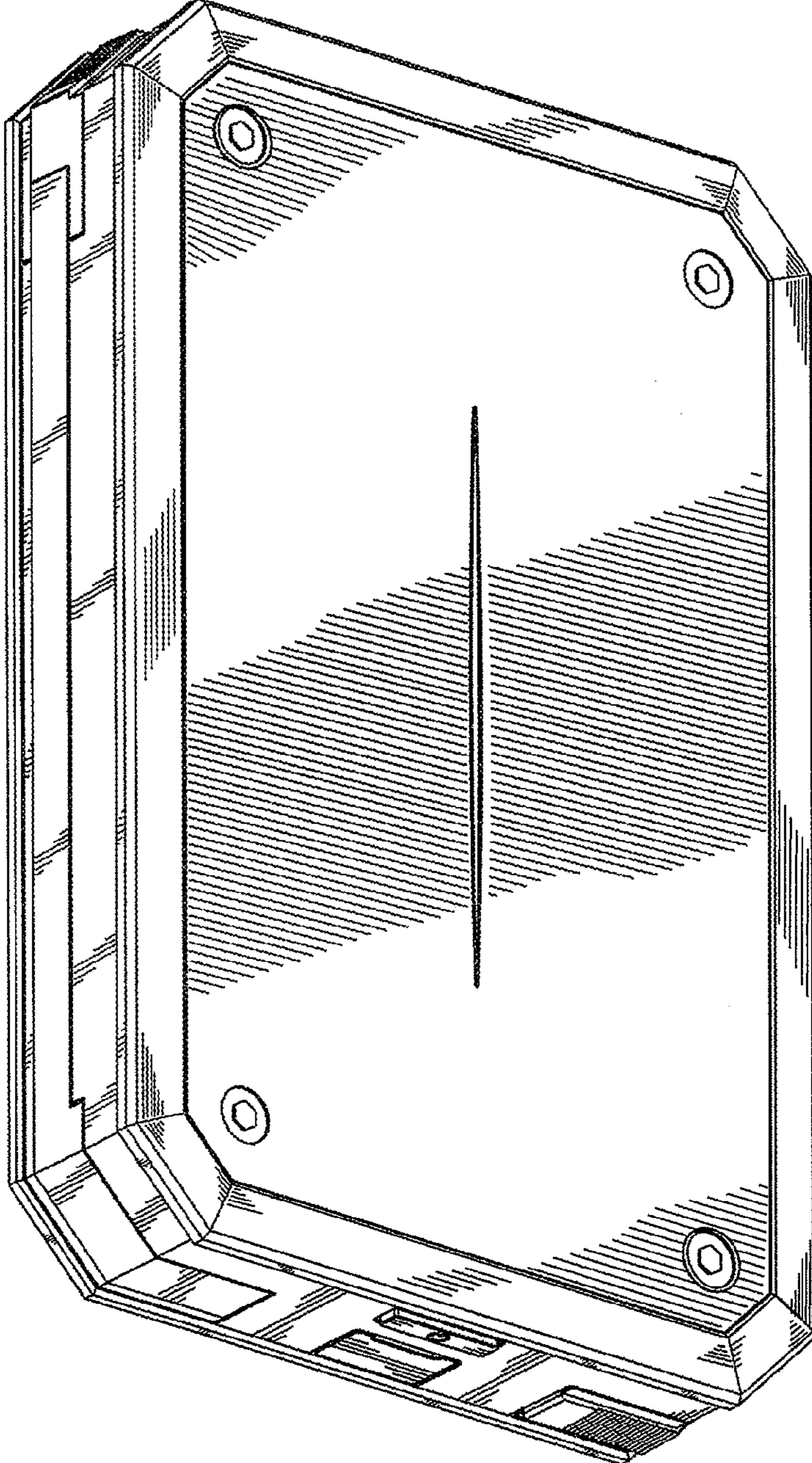


Fig. 2

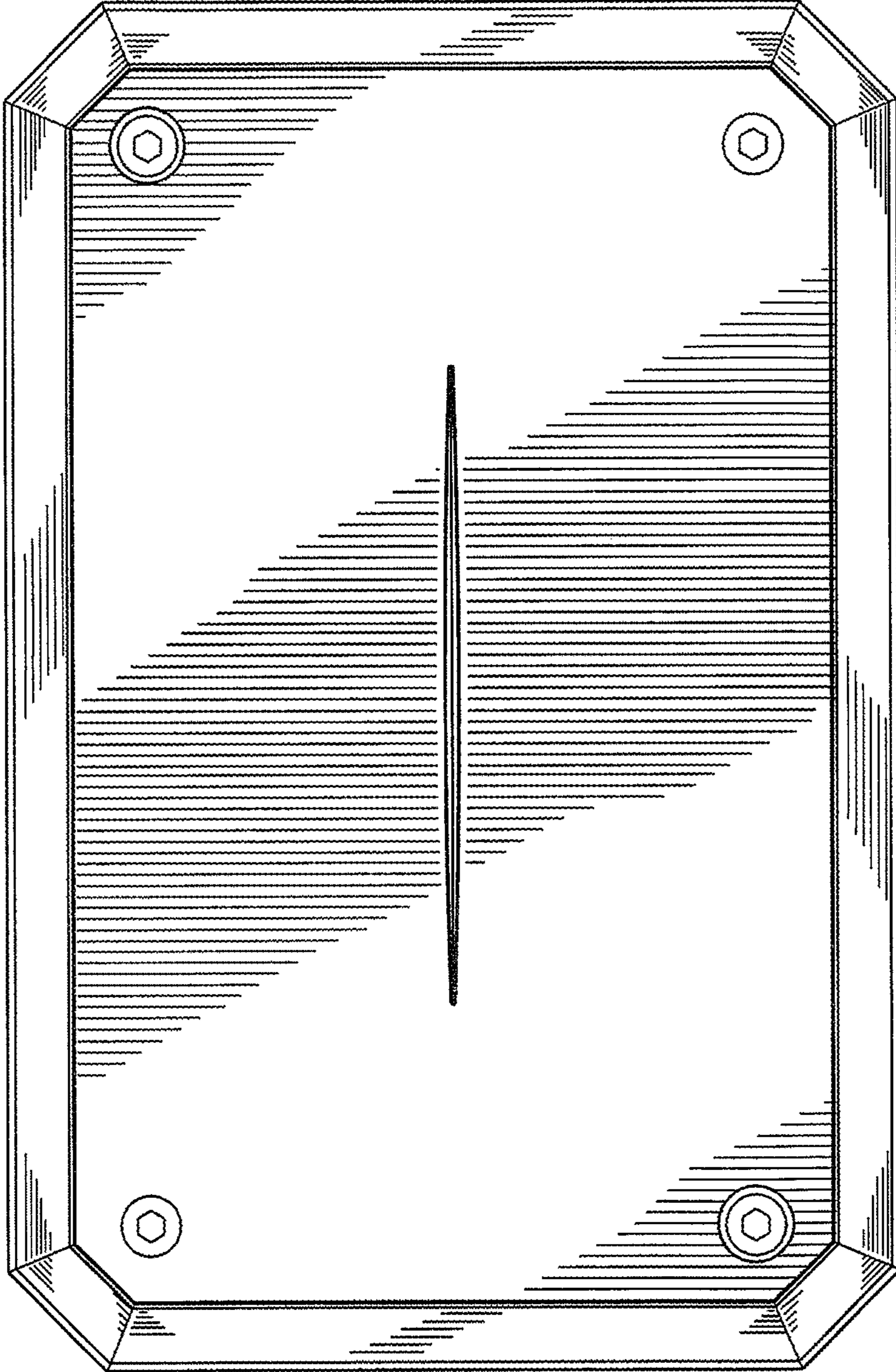


Fig. 3

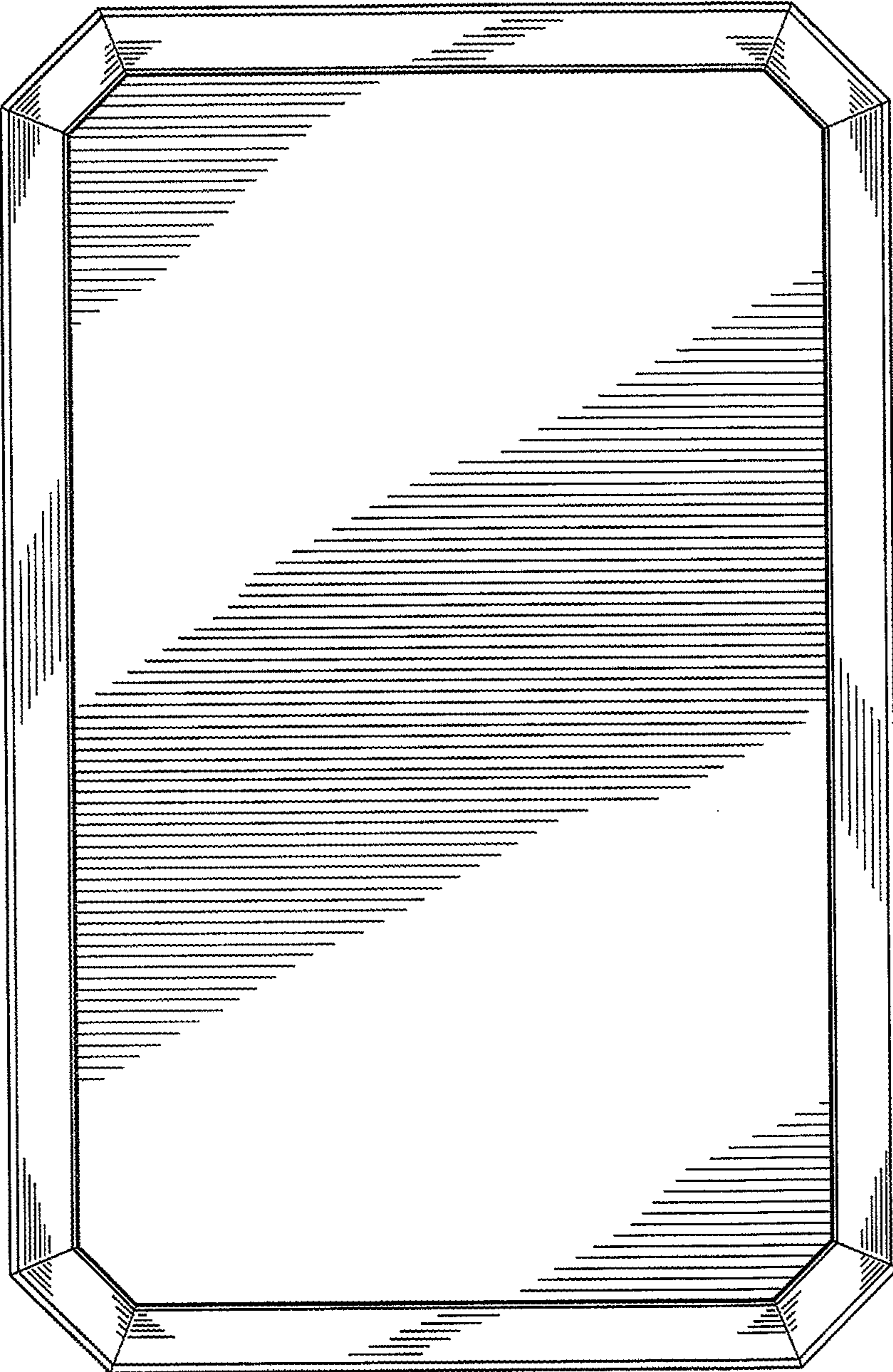


Fig. 4

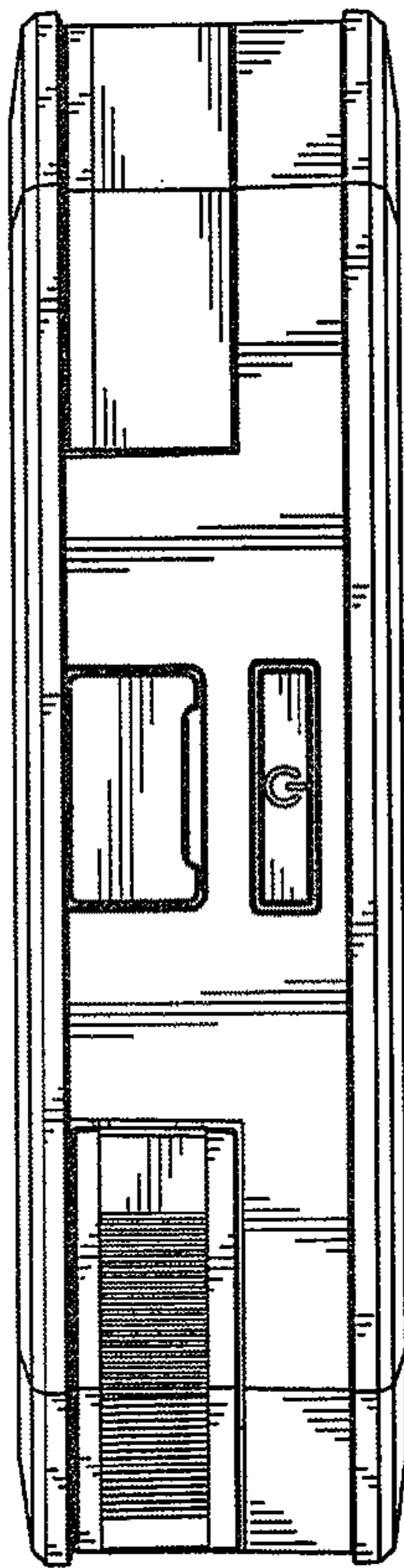


Fig. 5

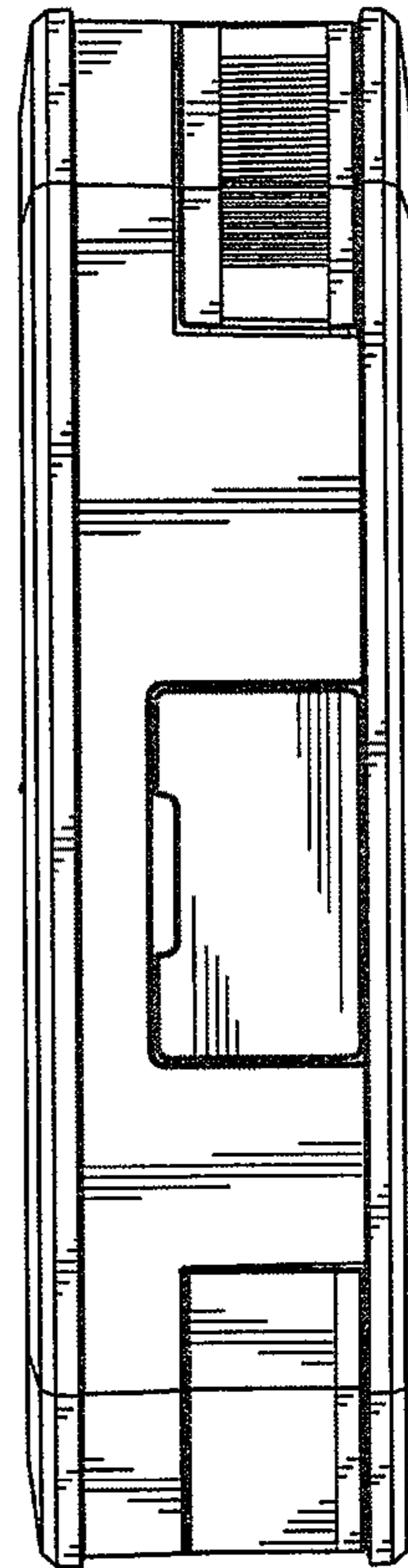


Fig. 6

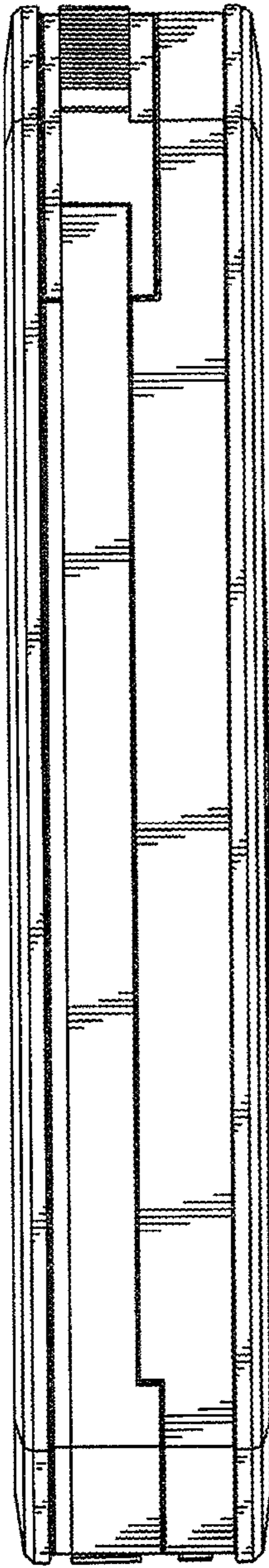


Fig. 7

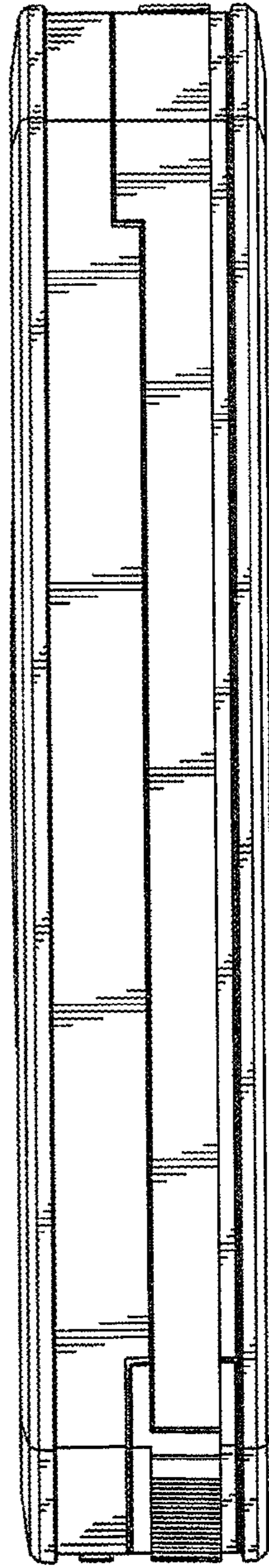


Fig. 8