



US00D766814S

(12) **United States Design Patent**
Pressley et al.

(10) **Patent No.:** **US D766,814 S**
(45) **Date of Patent:** **** Sep. 20, 2016**

(54) **TIRE TREAD**

(71) Applicants: **COMPAGNIE GENERALE DES
ETABLISSEMENTS MICHELIN**,
Clermont-Ferrand (FR); **MICHELIN
RECHERCHE et TECHNIQUE S.A.**,
Granges-Paccot (CH)

(72) Inventors: **David Pressley**, Taylors, SC (US);
William Hudek, Greenville, SC (US)

(73) Assignees: **MICHELIN RECHERCHE et
TECHNIQUE S.A.**, Granges-Paccot
(CH); **COMPAGNIE GENERALE
DES ETABLISSEMENTS
MICHELIN**, Clermont-Ferrand (FR)

(**) Term: **14 Years**

(21) Appl. No.: **29/510,289**

(22) Filed: **Nov. 26, 2014**

(51) **LOC (10) Cl.** **12-15**

(52) **U.S. Cl.**
USPC **D12/583**

(58) **Field of Classification Search**
USPC D12/568-603
CPC B60C 5/00; B60C 11/04; B60C 11/11;
B60C 11/13; B60C 11/12; B60C 2011/1213;
B60C 11/03

See application file for complete search history.

(56) **References Cited**

U.S. PATENT DOCUMENTS

D178,982 S	10/1956	Billingsley
D260,142 S	8/1981	Takigawa et al.
D379,445 S	5/1997	Rohweder et al.
D387,021 S	12/1997	Miyazaki
D425,457 S	5/2000	Gillard et al.

D502,683 S *	3/2005	Pang	D12/602
D626,912 S	11/2010	Fujita et al.		
7,836,927 B2	11/2010	Metzger		
D632,245 S	2/2011	Audigier et al.		
D641,314 S *	7/2011	Strader	D12/583
D654,015 S	2/2012	Rodicq et al.		
D660,224 S	5/2012	Takahashi		
D672,711 S	12/2012	Audigier et al.		
D713,782 S *	9/2014	Krier	D12/583
D742,812 S *	11/2015	Hutz	D12/600

FOREIGN PATENT DOCUMENTS

WO	WO 2009077808	6/2009
WO	WO 2012001488	1/2012

* cited by examiner

Primary Examiner — George D Kirschbaum

Assistant Examiner — Jennifer Watkins

(74) *Attorney, Agent, or Firm* — Dority & Manning, P.A.

(57) **CLAIM**

The ornamental design for a tire tread, as shown and described.

DESCRIPTION

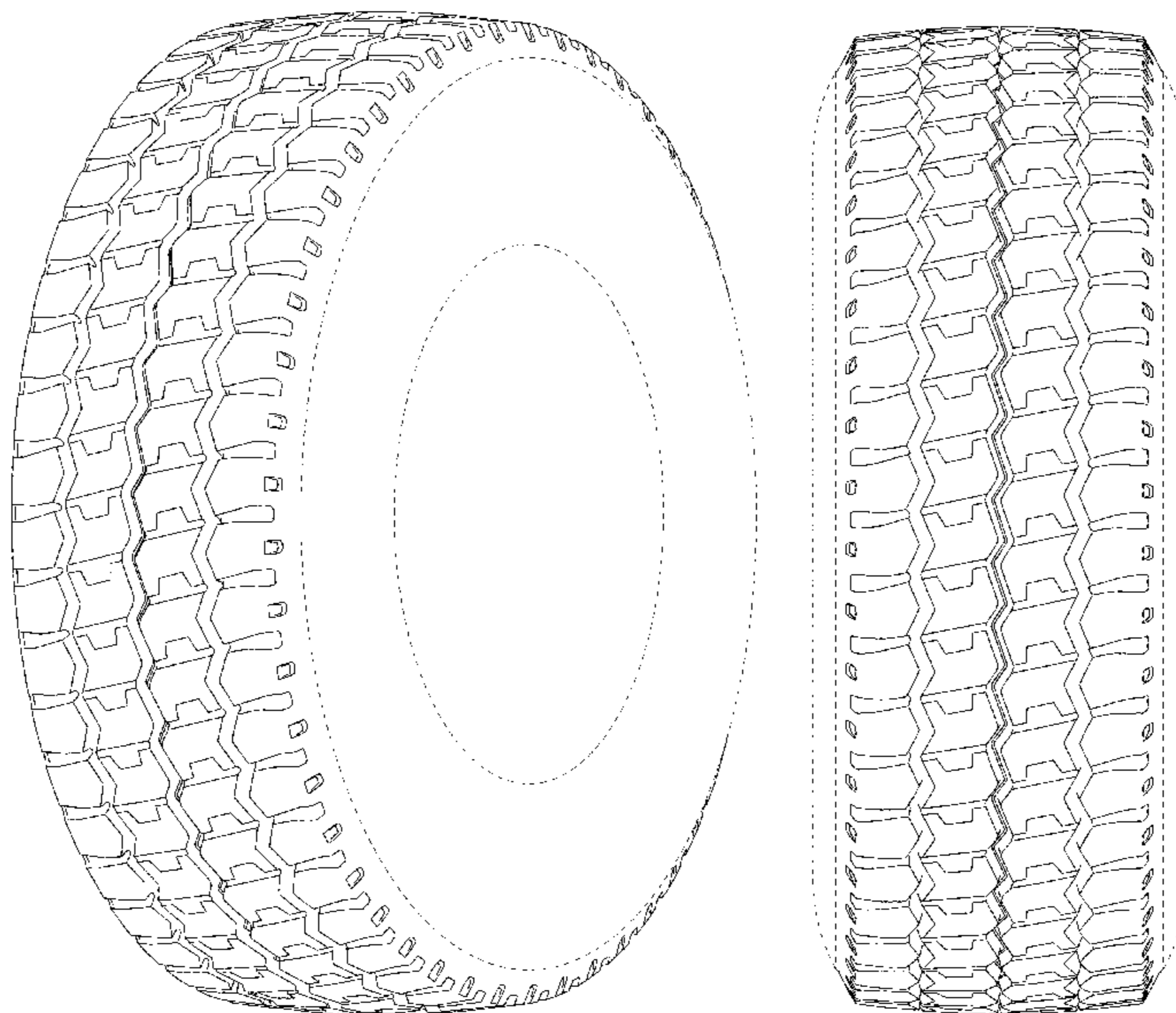
FIG. 1 is a perspective view of a tire tread showing our new design, it being understood that the tread pattern repeats circumferentially throughout the outer circumference and shoulder of the tire, the opposite side perspective being identical thereto;

FIG. 2 is a front elevation view thereof; and,

FIG. 3 is a side elevation view of the right side thereof, the left side elevation being identical thereto.

In the drawings, the broken lines defining the sidewall, inner bead and the peripheral boundary between the claimed tire tread and the unclaimed sidewall depict environmental subject matter that forms no part of the claimed design.

1 Claim, 3 Drawing Sheets



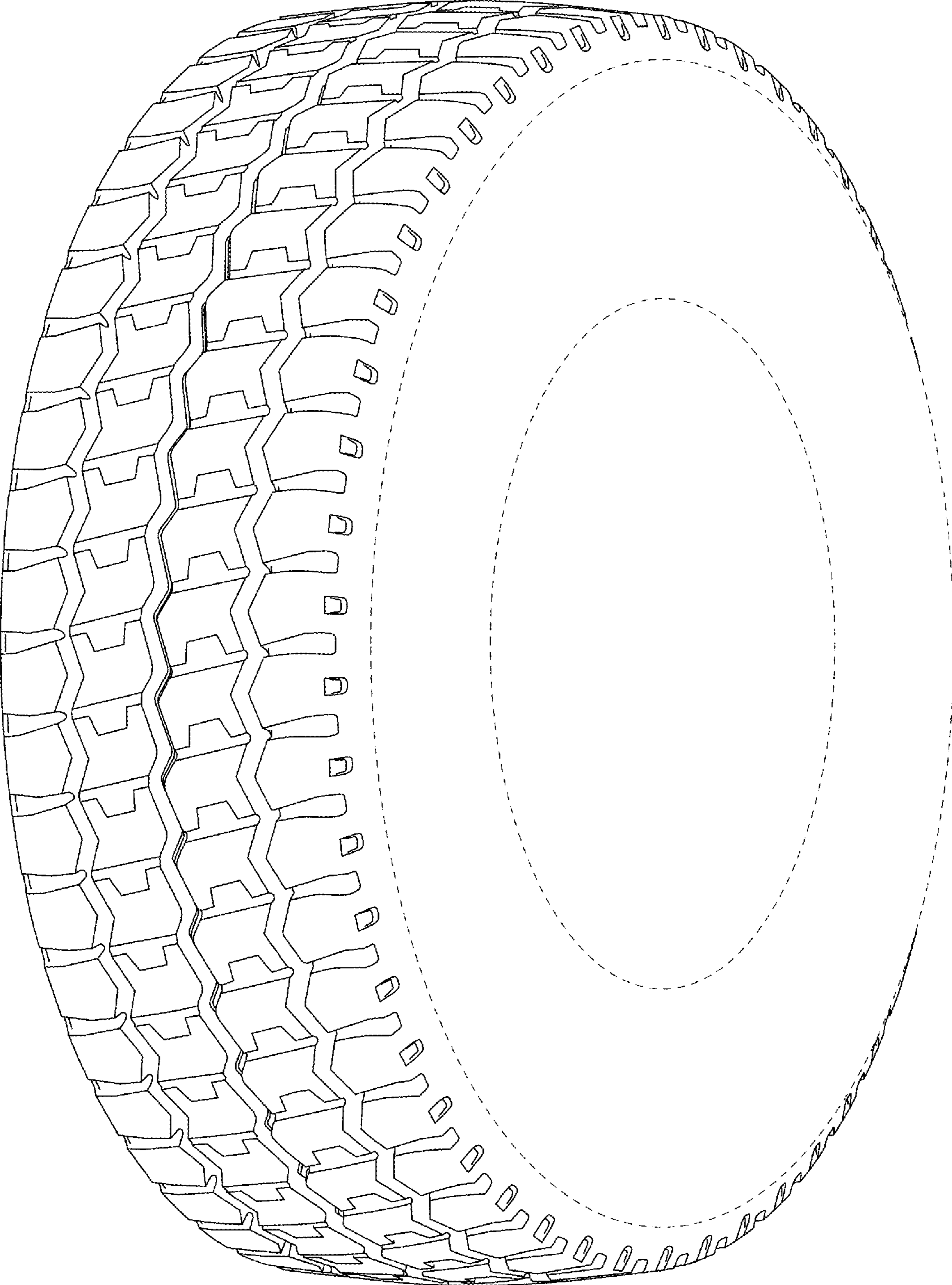


FIG. 1

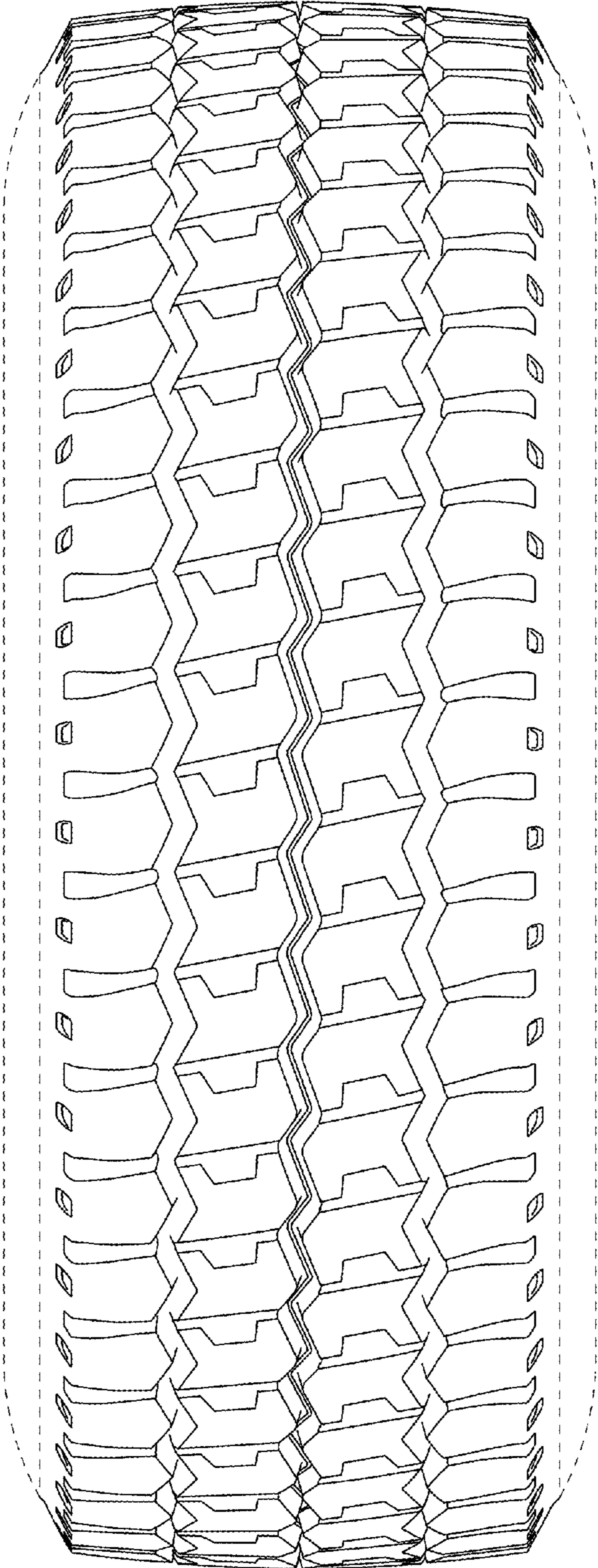


FIG. 2

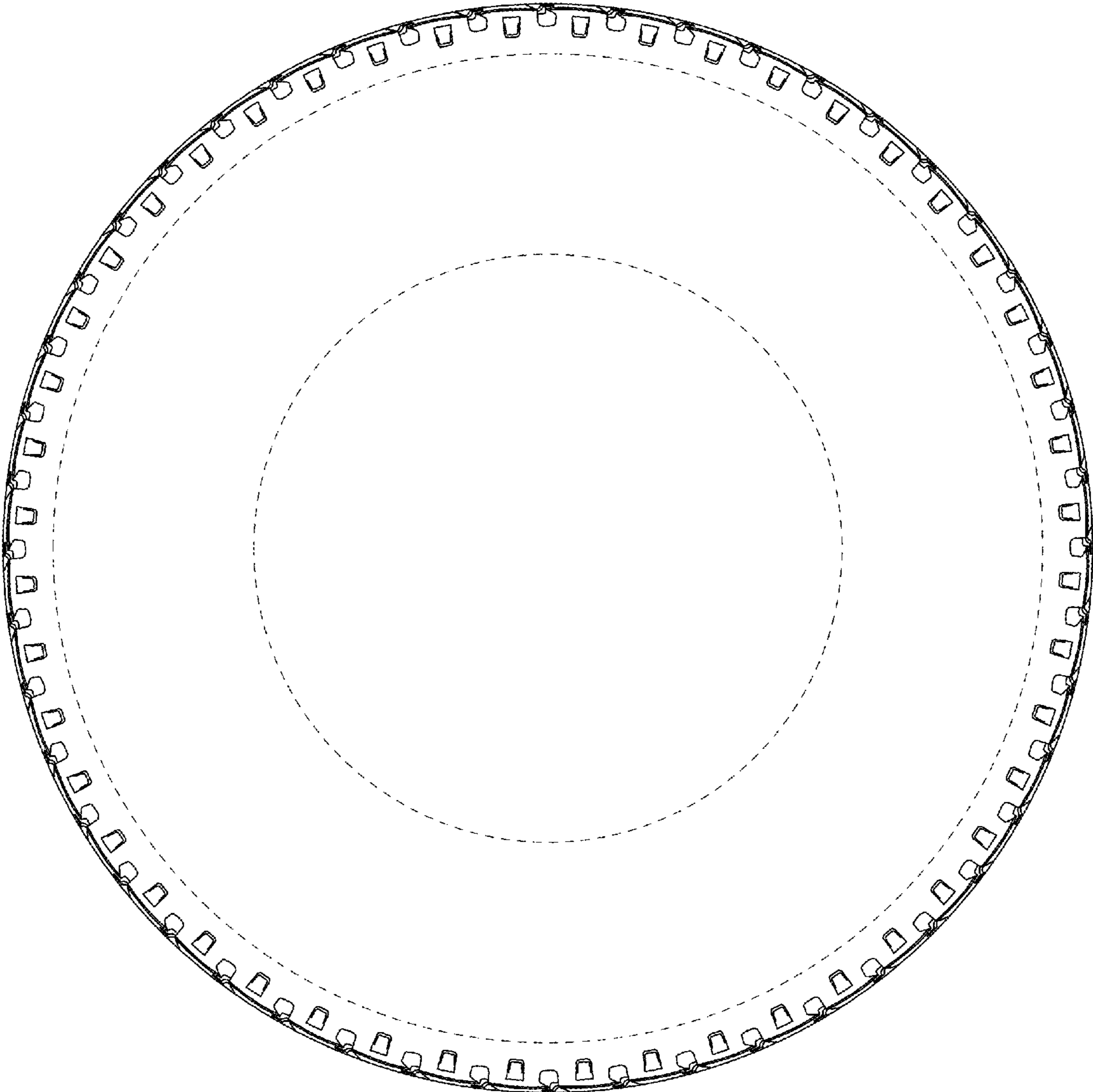


FIG. 3