



US00D766811S

(12) **United States Design Patent** (10) **Patent No.:** **US D766,811 S**
Shouno et al. (45) **Date of Patent:** **** Sep. 20, 2016**

(54) **CENTER CONSOLE FOR AUTOMOBILE**

FOREIGN PATENT DOCUMENTS

(71) Applicant: **Nissan Motor Co., Ltd.**, Yokohama, Kanagawa (JP)

JP 1140108 S 4/2002
JP 1227518 S 1/2005

(Continued)

(72) Inventors: **Shinichi Shouno**, Kanagawa (JP);
Takahide Nakanishi, Kanagawa (JP)

Primary Examiner — Katrina A Betton

(73) Assignee: **Nissan Motor Co., Ltd.**, Yokohama (JP)

(74) *Attorney, Agent, or Firm* — Global IP Counselors, LLP

(**) Term: **15 Years**

(57) **CLAIM**

The ornamental design for a center console for an automobile, as shown and described.

(21) Appl. No.: **29/535,427**

DESCRIPTION

(22) Filed: **Aug. 6, 2015**

(30) **Foreign Application Priority Data**

Feb. 10, 2015 (JP) 2015-002659

(51) **LOC (10) Cl.** **12-16**

(52) **U.S. Cl.**
USPC **D12/419**

(58) **Field of Classification Search**
USPC D12/415-426.1
CPC B64D 11/06; F16M 11/12; F16M 11/10
See application file for complete search history.

FIG. 1 is a front elevational view of a center console for an automobile in accordance with my new design;
FIG. 2 is a top plan view of the center console in accordance with my new design of FIG. 1;
FIG. 3 is a bottom plan view of the center console in accordance with my new design of FIGS. 1 and 2;
FIG. 4 is a left side elevational view of the center console in accordance with my new design of FIGS. 1 to 3;
FIG. 5 is a right side elevational view of the center console in accordance with my new design of FIGS. 1 to 4;
FIG. 6 is a front, left perspective view of the center console in accordance with my new design of FIGS. 1 to 5;
FIG. 7 is a rear, right perspective view of the center console in accordance with my new design of FIGS. 1 to 6; and,
FIG. 8 is a rear elevational view of the center console in accordance with my new design of FIGS. 1 to 7.

(56) **References Cited**

U.S. PATENT DOCUMENTS

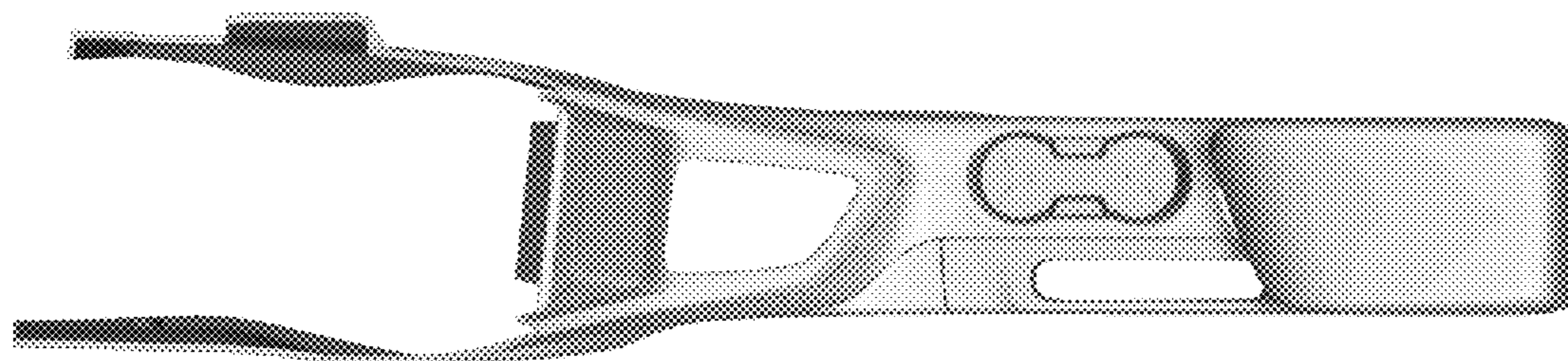
D359,266 S * 6/1995 Karp D12/419
D448,720 S * 10/2001 Nash D12/192
6,616,206 B2 * 9/2003 Luginbill B60N 2/4646
224/539
D522,957 S * 6/2006 Miyashita D12/415
D568,232 S * 5/2008 Motozaki D12/421
7,980,409 B2 * 7/2011 Vasko B60R 7/04
220/326
D673,496 S 1/2013 Kikuta et al.
D711,810 S 8/2014 Matsuo et al.

The inside surfaces of the center console form no part of the claimed design since the inside surfaces are hidden when the center console is mounted to an automobile.

A second embodiment of our new design is identical to the first embodiment. The second embodiment of our new design includes the mirror image of the center console shown in FIGS. 1 to 8.

(Continued)

1 Claim, 8 Drawing Sheets



(56)

References Cited

U.S. PATENT DOCUMENTS

D718,218 S 11/2014 Tanaka et al.
D724,521 S * 3/2015 Ashley D12/419
D725,582 S 3/2015 Kobari et al.
D725,583 S * 3/2015 Seki D12/419
9,199,579 B2 * 12/2015 Gillis B60R 7/04

FOREIGN PATENT DOCUMENTS

JP

1251929 S 9/2005

JP 1268181 S 4/2006
JP 1327140 S 4/2008
JP 1327141 S 4/2008
JP 1341442 S 10/2008
JP 1384126 S 4/2010
JP 1420732 S 8/2011
JP 1434236 S 2/2012
JP 1481504 S 10/2014
JP 1503268 S 7/2015
JP 1505889 S 8/2015

* cited by examiner

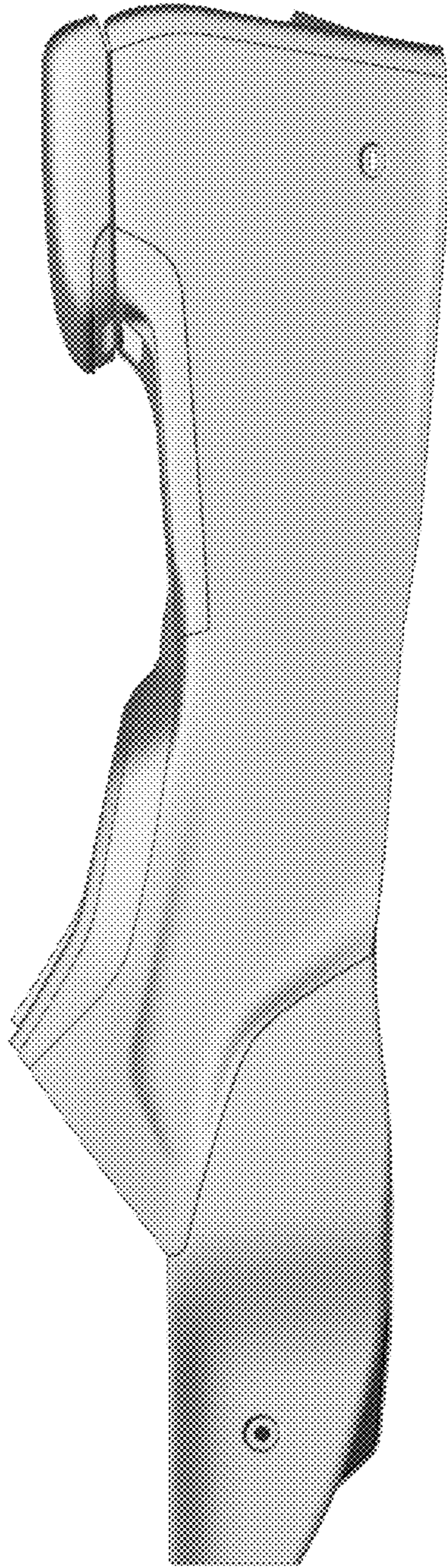


FIG. 1

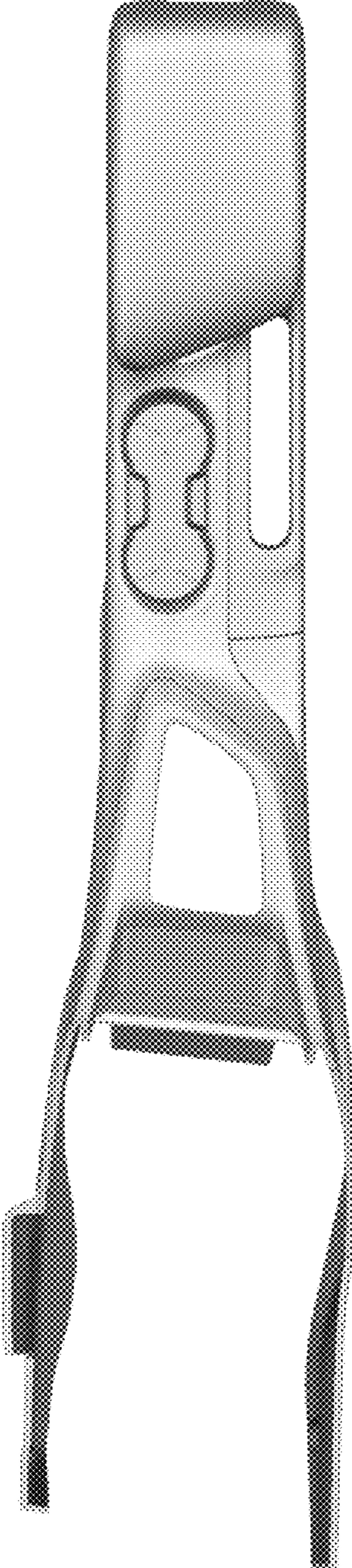


FIG. 2

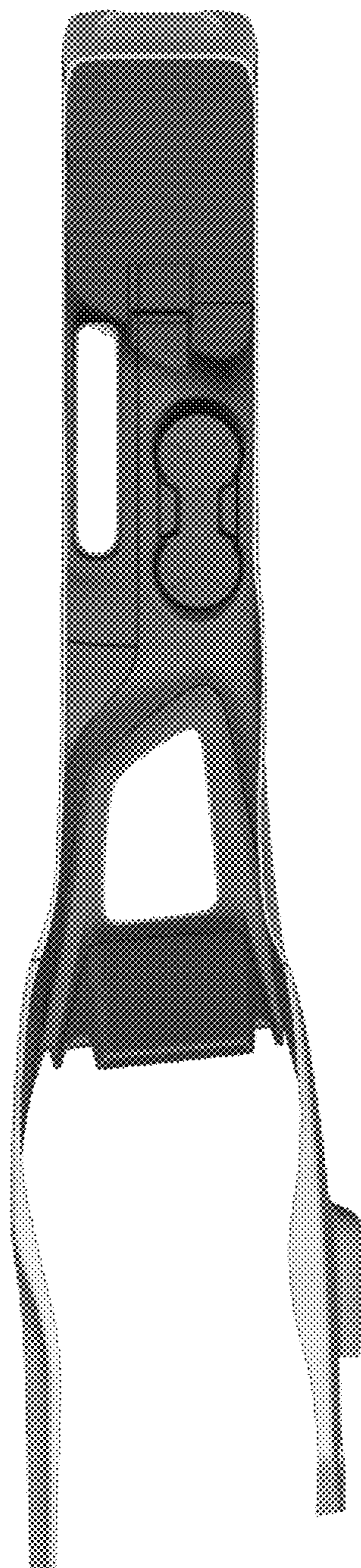


FIG. 3

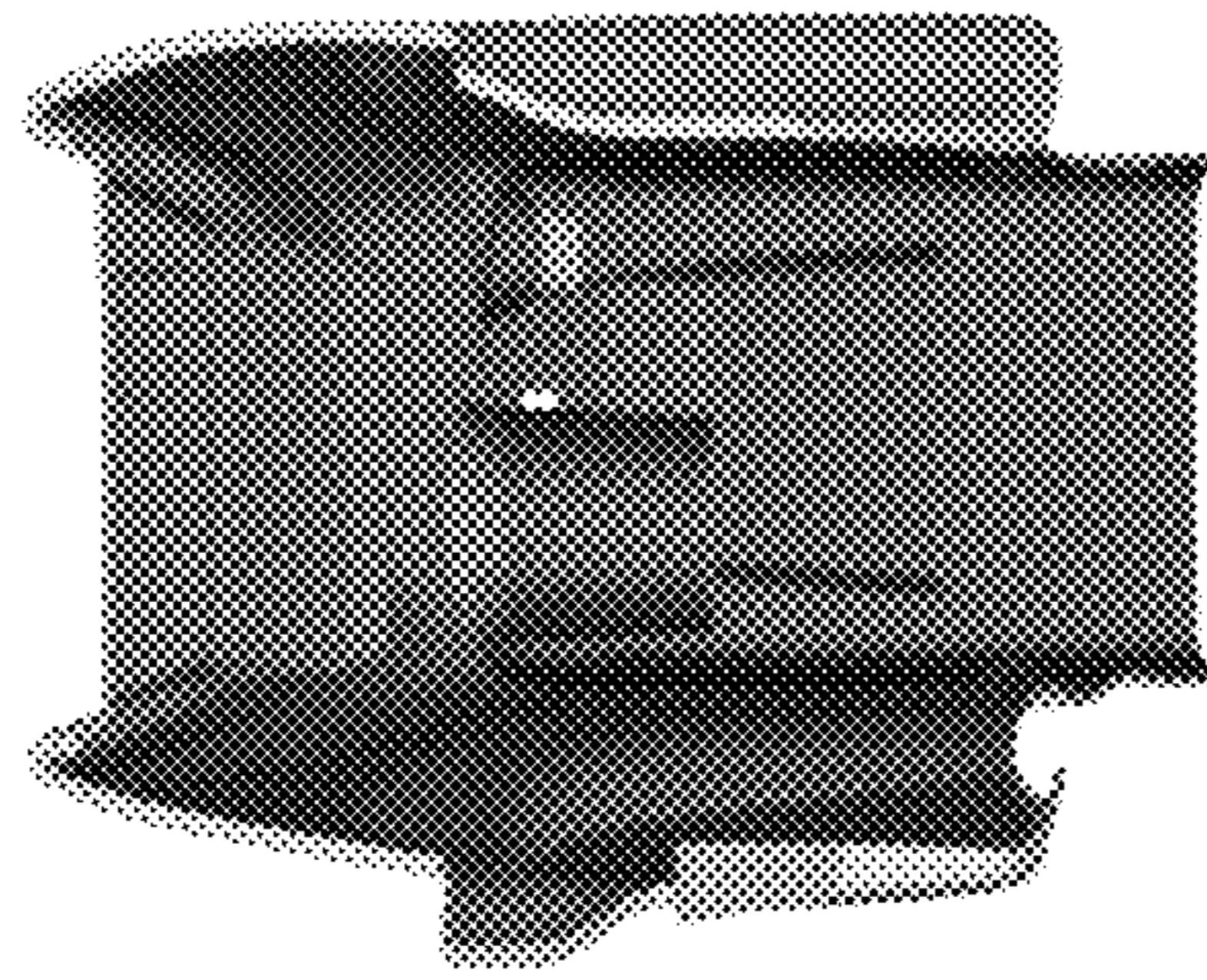


FIG. 4

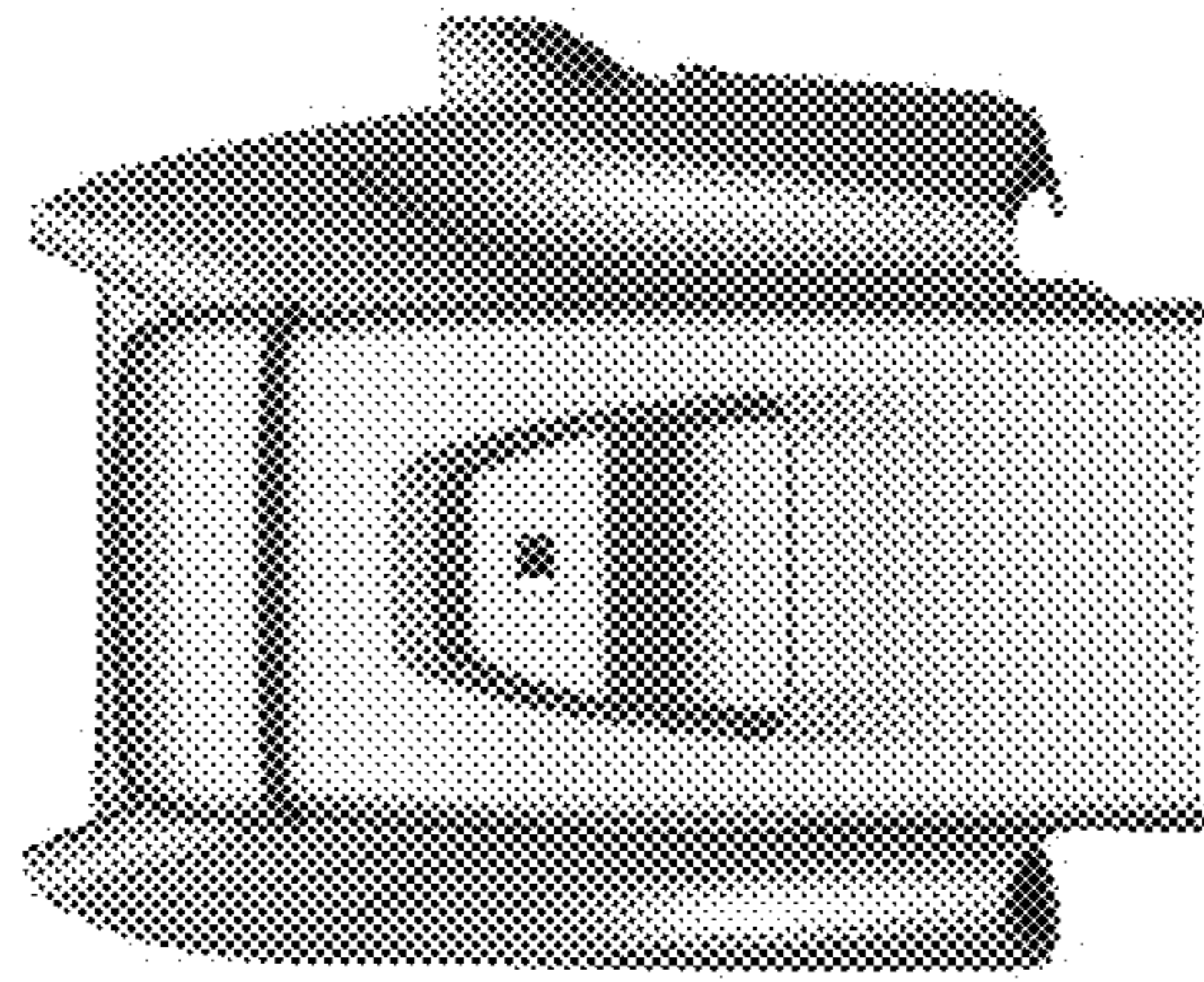


FIG. 5

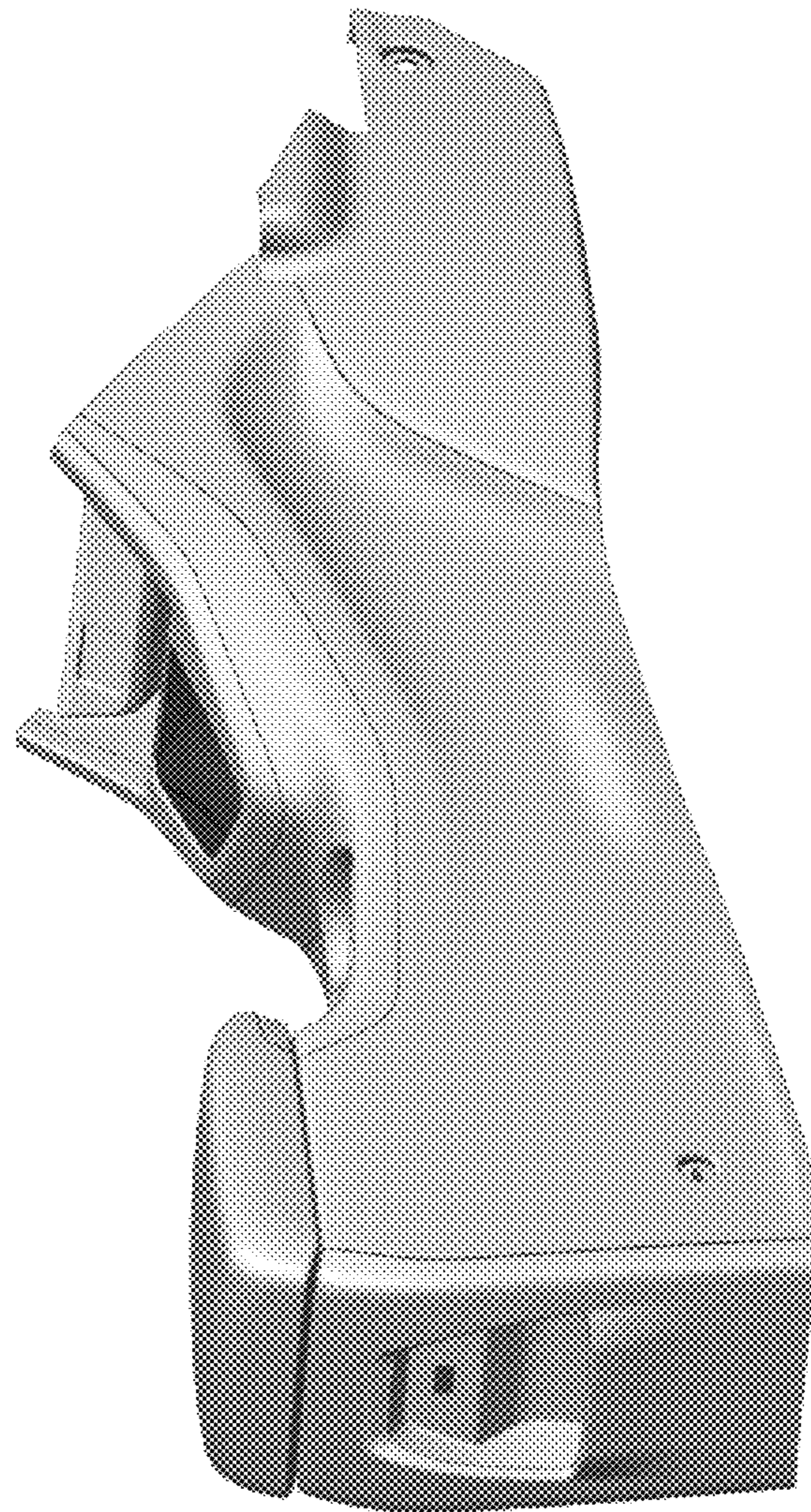


FIG. 6

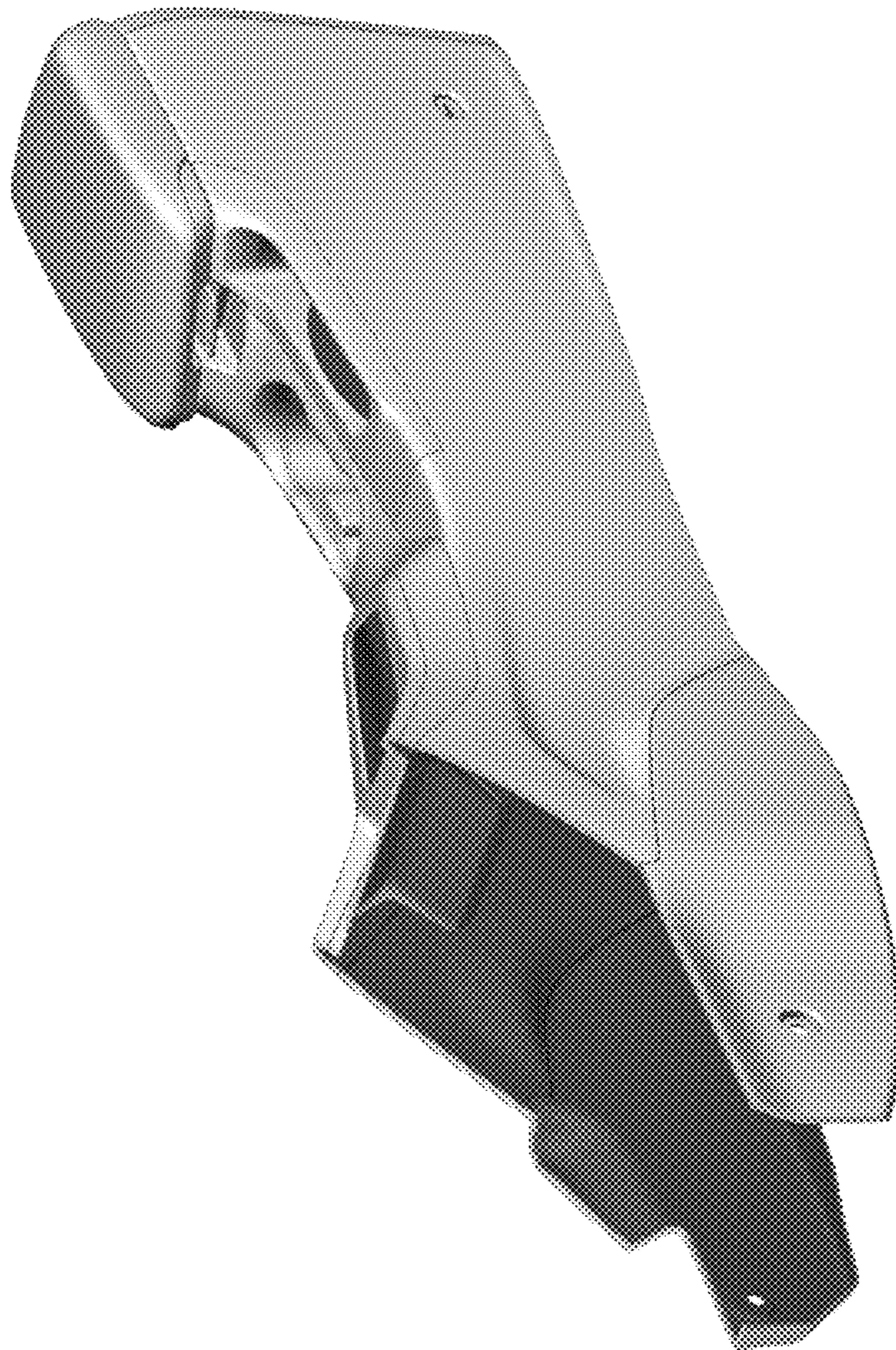


FIG. 7

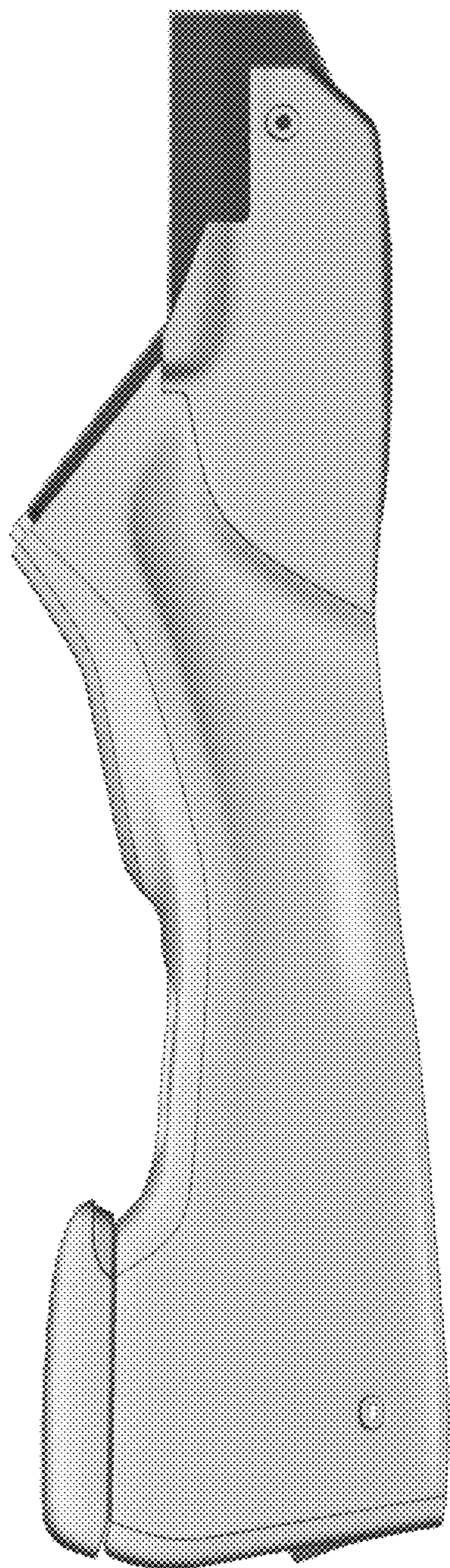


FIG. 8