

US00D766809S

(12) **United States Design Patent** (10) **Patent No.:** **US D766,809 S**
Deng et al. (45) **Date of Patent:** **** Sep. 20, 2016**

- (54) **VEHICLE ASSIST DEVICE**
- (71) Applicant: **E. MISHAN & SONS, INC.**, New York, NY (US)
- (72) Inventors: **Daniel Deng**, Dongguan (CN); **Debbie Feuerstein**, Riverside, NY (US); **Fred Hollinger**, Monroe Township, NJ (US)
- (73) Assignee: **E. Mishan & Sons, Inc.**, New York, NY (US)
- (**) Term: **15 Years**
- (21) Appl. No.: **29/534,989**
- (22) Filed: **Aug. 3, 2015**

Y10T 292/1072; Y10S 292/23; Y10S 16/12;
Y10S 16/24; Y10S 292/27; Y10S 292/65;
Y10S 16/19; Y10S 292/53; Y10S 16/40;
Y10S 56/18; B25G 1/102; B25G 1/10;
B25G 1/00

See application file for complete search history.

(56) **References Cited**

U.S. PATENT DOCUMENTS

D143,563 S *	1/1946	Storm	D7/395
D198,197 S *	5/1964	Utz et al.	D8/303
D231,741 S *	6/1974	Tompkins	D12/174
D234,837 S *	4/1975	Culling	D22/118
D240,678 S *	7/1976	Herig	15/143.1
D326,594 S *	6/1992	Haberman	D8/30
6,340,189 B1 *	1/2002	Porody	B60N 3/023 16/110.1
D486,368 S *	2/2004	Jones	D8/30
D516,009 S *	2/2006	Kontorovich	D12/400
D600,626 S *	9/2009	Miller	D12/400
D642,889 S *	8/2011	Boehm	D8/107

(Continued)

Primary Examiner — Derrick Holland

Assistant Examiner — Lauren Calve

(74) *Attorney, Agent, or Firm* — Notaro, Michalos & Zaccaria P.C.

Related U.S. Application Data

- (63) Continuation-in-part of application No. 29/517,992, filed on Feb. 19, 2015, now Pat. No. Des. 743,324, and a continuation-in-part of application No. 29/526,110, filed on May 6, 2015.
- (51) **LOC (10) Cl.** **12-16**
- (52) **U.S. Cl.**
USPC **D12/400; D8/107**
- (58) **Field of Classification Search**
USPC D8/107, 300-303; D7/394; D12/114, D12/179, 400, 415, 416; 15/145; 16/110.1, 16/419, 420, 421, 422, 426, 427, 430; 292/207, 216; 280/288.4, 293, 295, 280/304.3, 304.5
CPC ... Y10T 16/469; Y10T 16/476; Y10T 16/44; Y10T 292/1089; Y10T 16/466; Y10T 16/4713; Y10T 292/57; Y10T 74/20828; Y10T 16/4644; Y10T 16/513; Y10T 29/49826; Y10T 74/20822; Y10T 16/458; Y10T 16/4652; Y10T 74/20732; Y10T 70/5761; Y10T 292/0956; Y10T 16/4559; Y10T 292/1049; Y10T 16/459; Y10T 74/20864; Y10T 70/5889; Y10T 292/1083; Y10T 292/1041; Y10T 70/577; Y10T 292/0891; Y10T 292/0849; Y10T 407/1825;

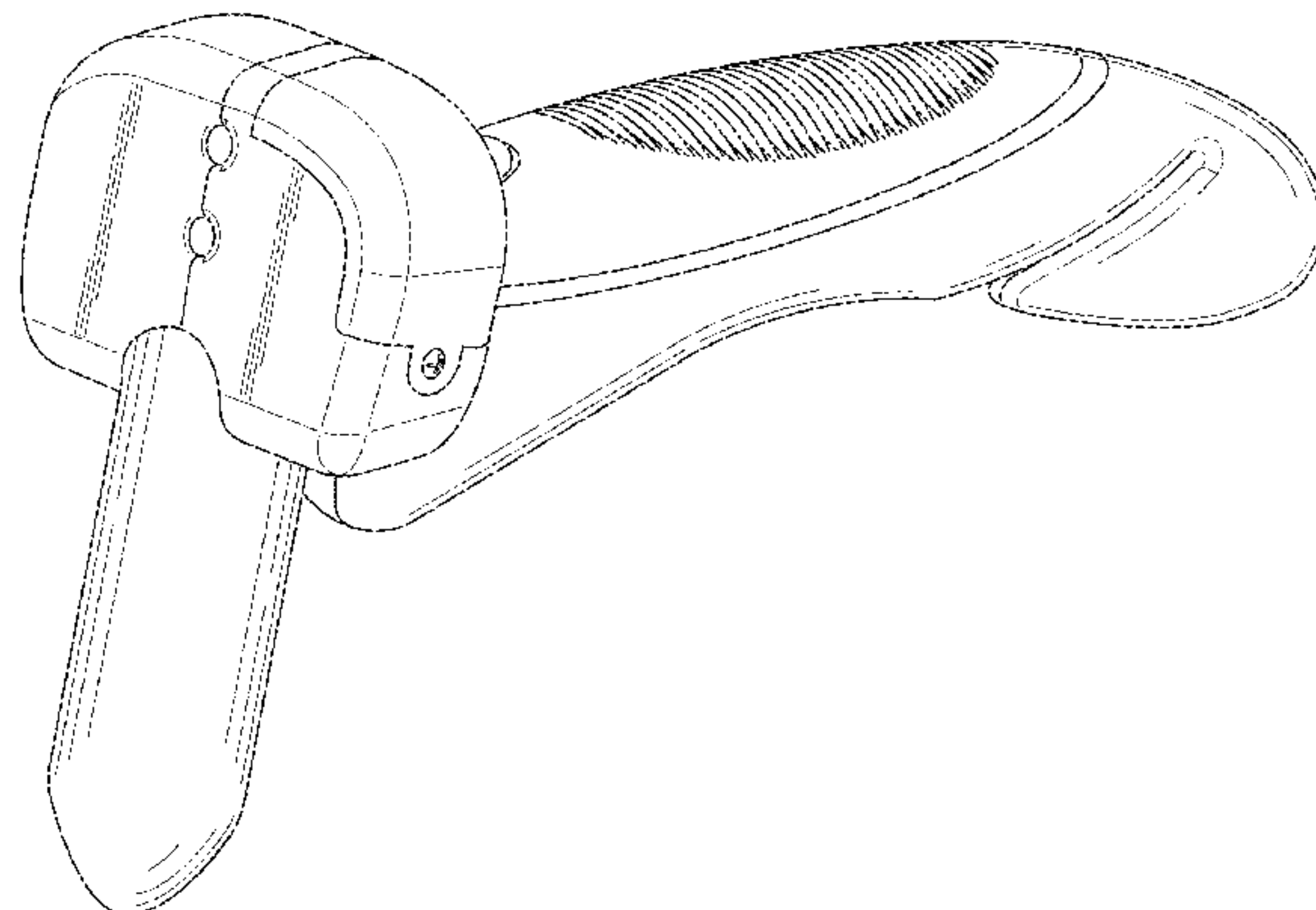
(57) **CLAIM**

The ornamental design for a vehicle assist device, as shown and described.

DESCRIPTION

FIG. 1 is a front, left, top perspective view of a vehicle assist device showing our design therefor;
FIG. 2 is a back elevational view thereof;
FIG. 3 is a front elevational view thereof;
FIG. 4 is a top plan view thereof;
FIG. 5 is a bottom plan view thereof; and,
FIG. 6 is a side view thereof.
The broken lines shown represent unclaimed subject matter and form no part of the claimed design.

1 Claim, 5 Drawing Sheets



US D766,809 S

Page 2

(56)

References Cited

U.S. PATENT DOCUMENTS

D661,964 S *	6/2012	Pangborn	D8/107	
D663,913 S *	7/2012	Alder	D34/35	* cited by examiner
D690,485 S *	9/2013	Sonnendorfer	D34/27	
D743,324 S *	11/2015	Deng	D12/400	
2012/0137821 A1*	6/2012	Badollet	B62K 21/26 74/551.9	

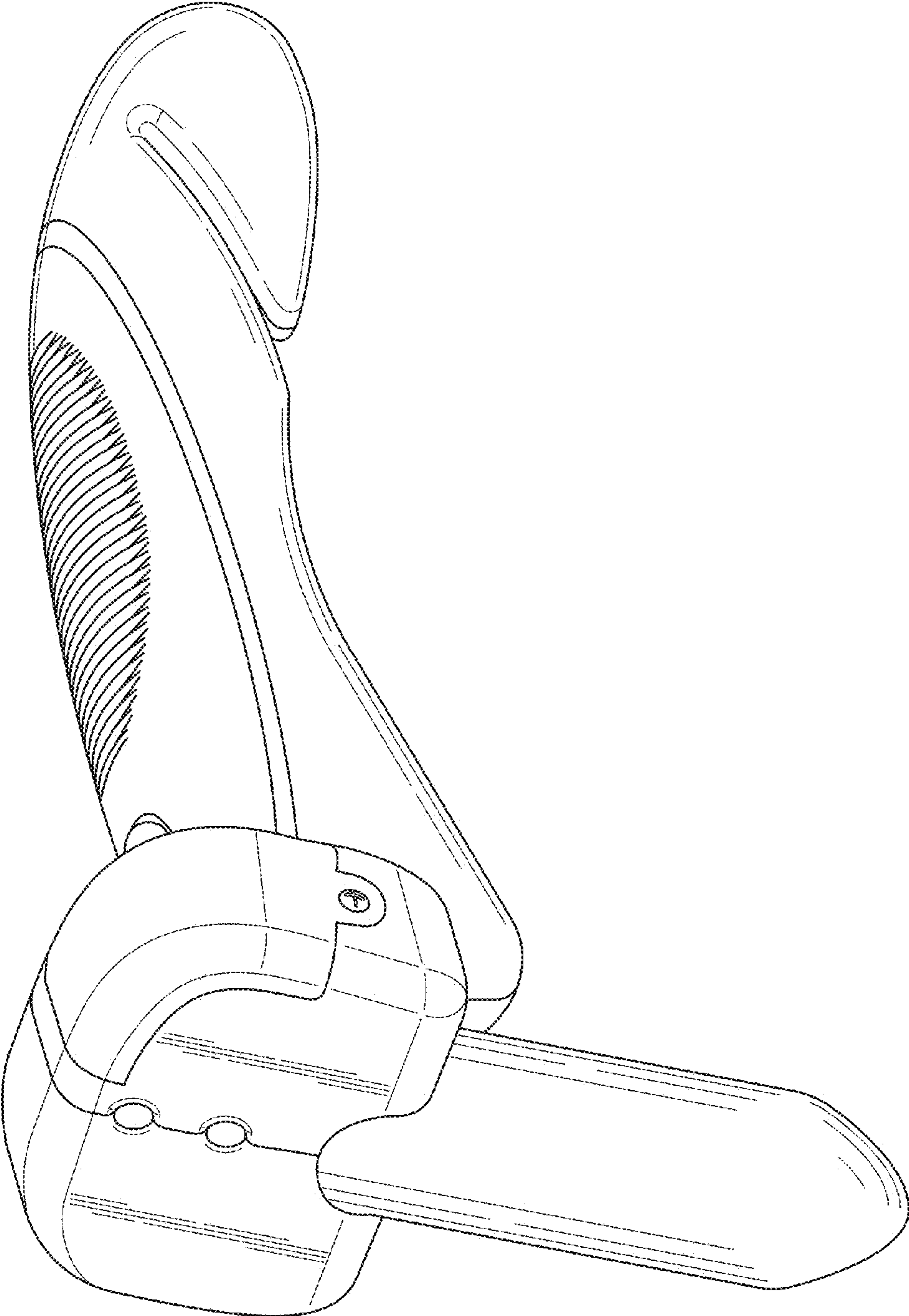


FIG. 1

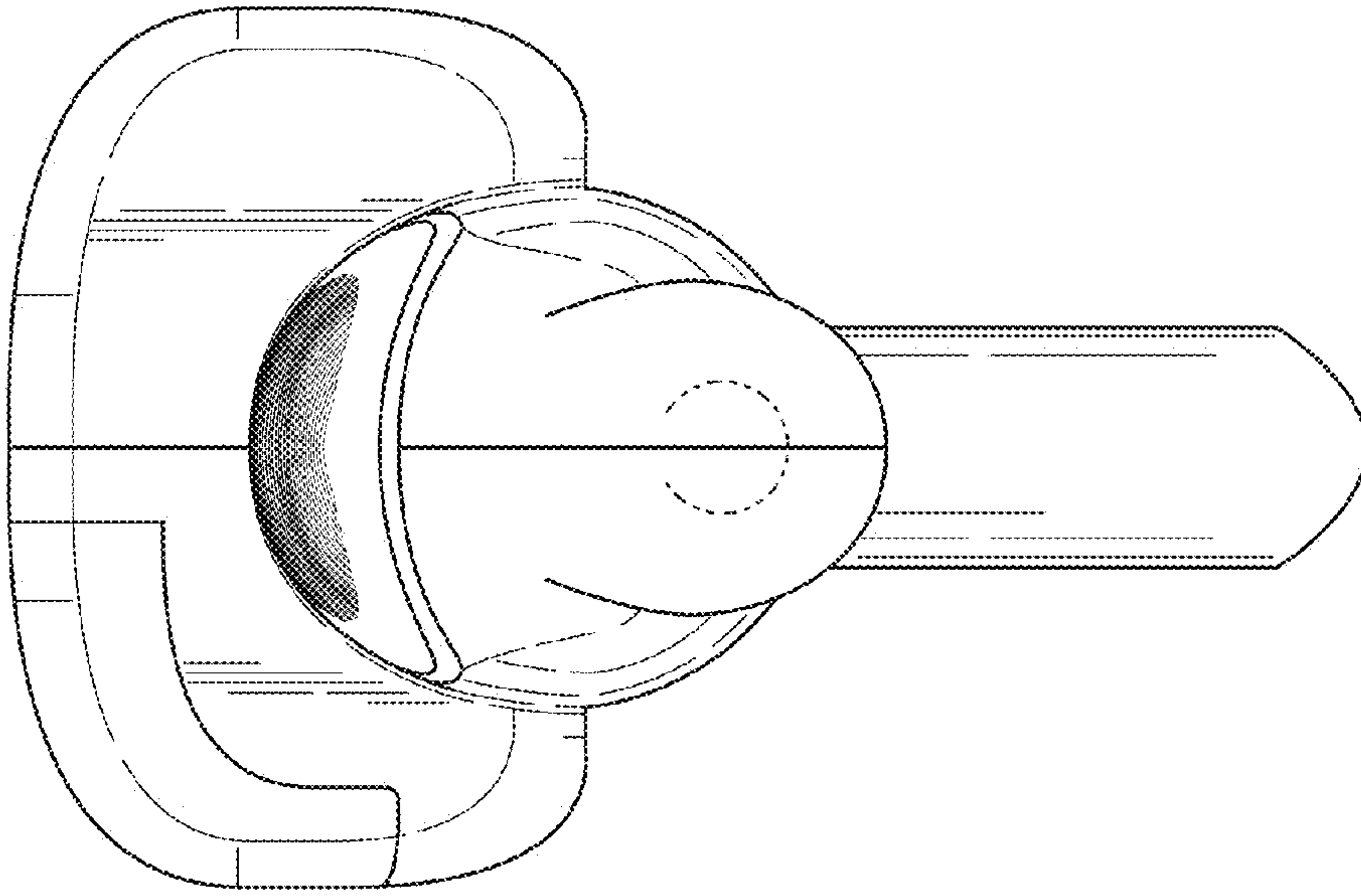


FIG. 3

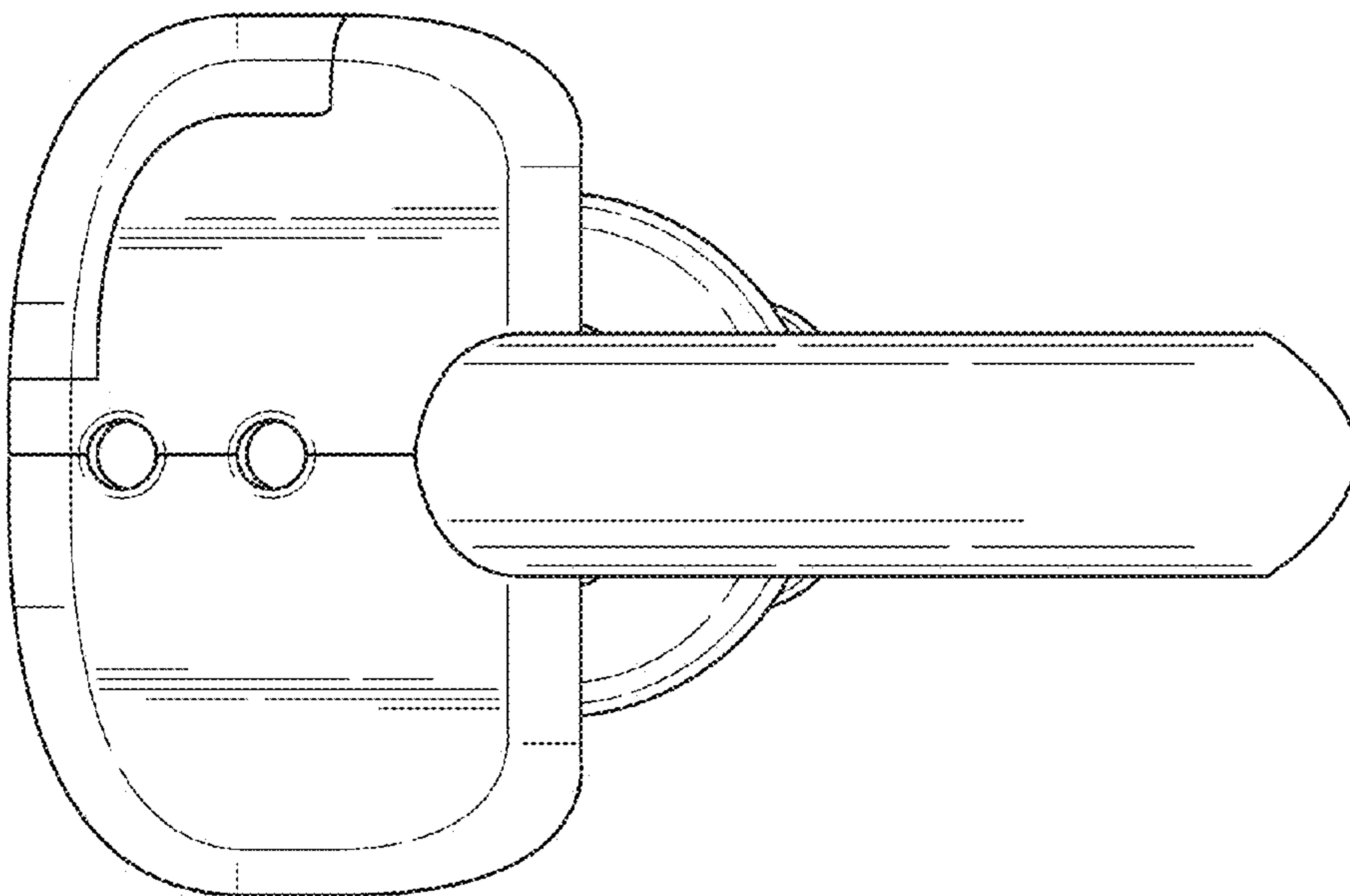


FIG. 2

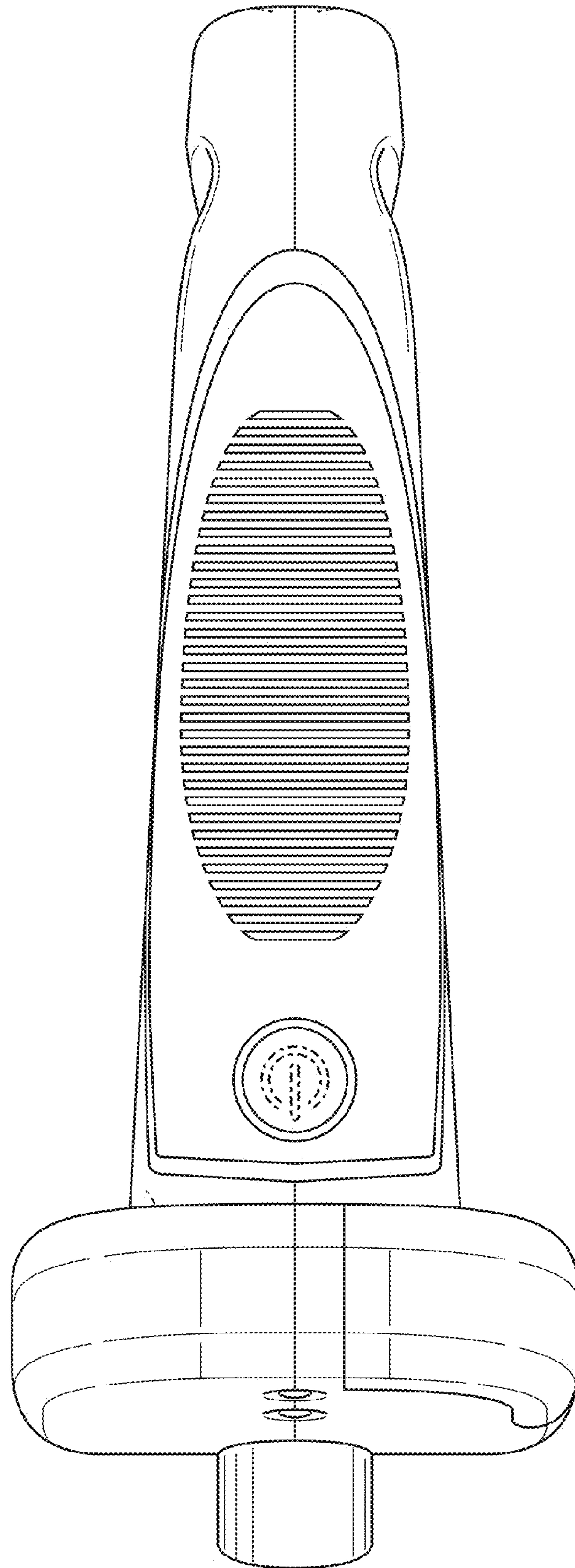


FIG. 4

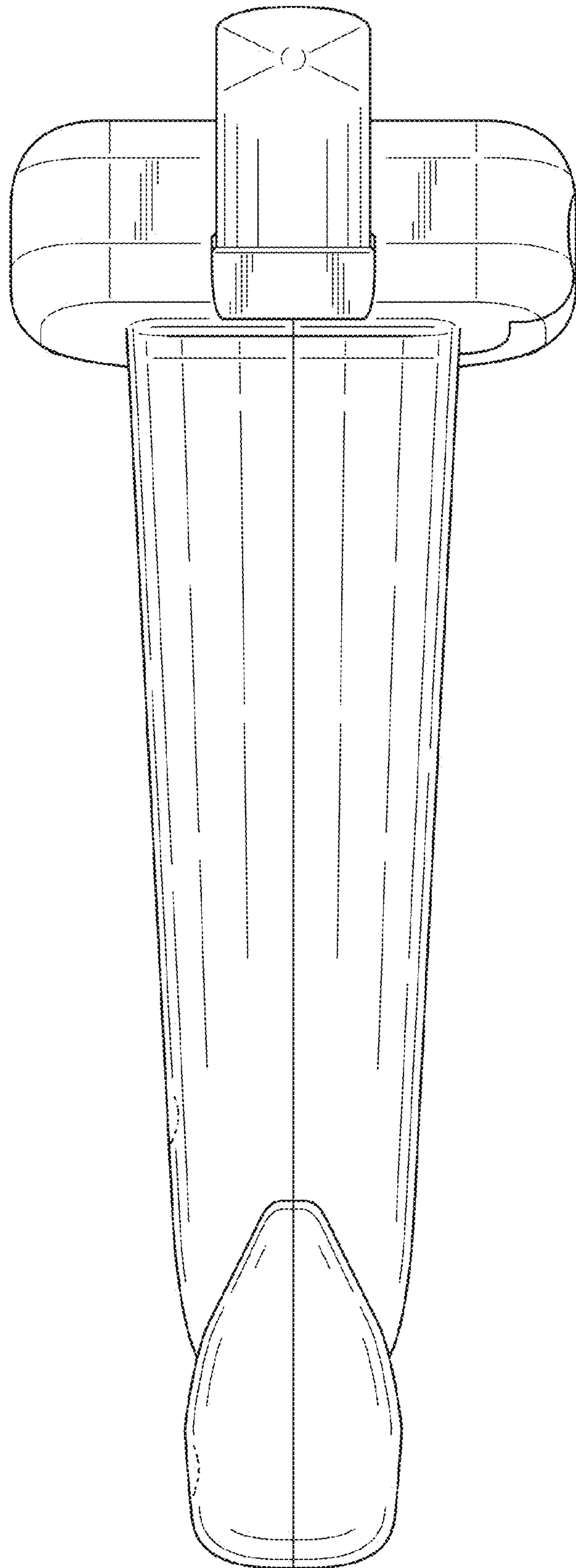


FIG. 5

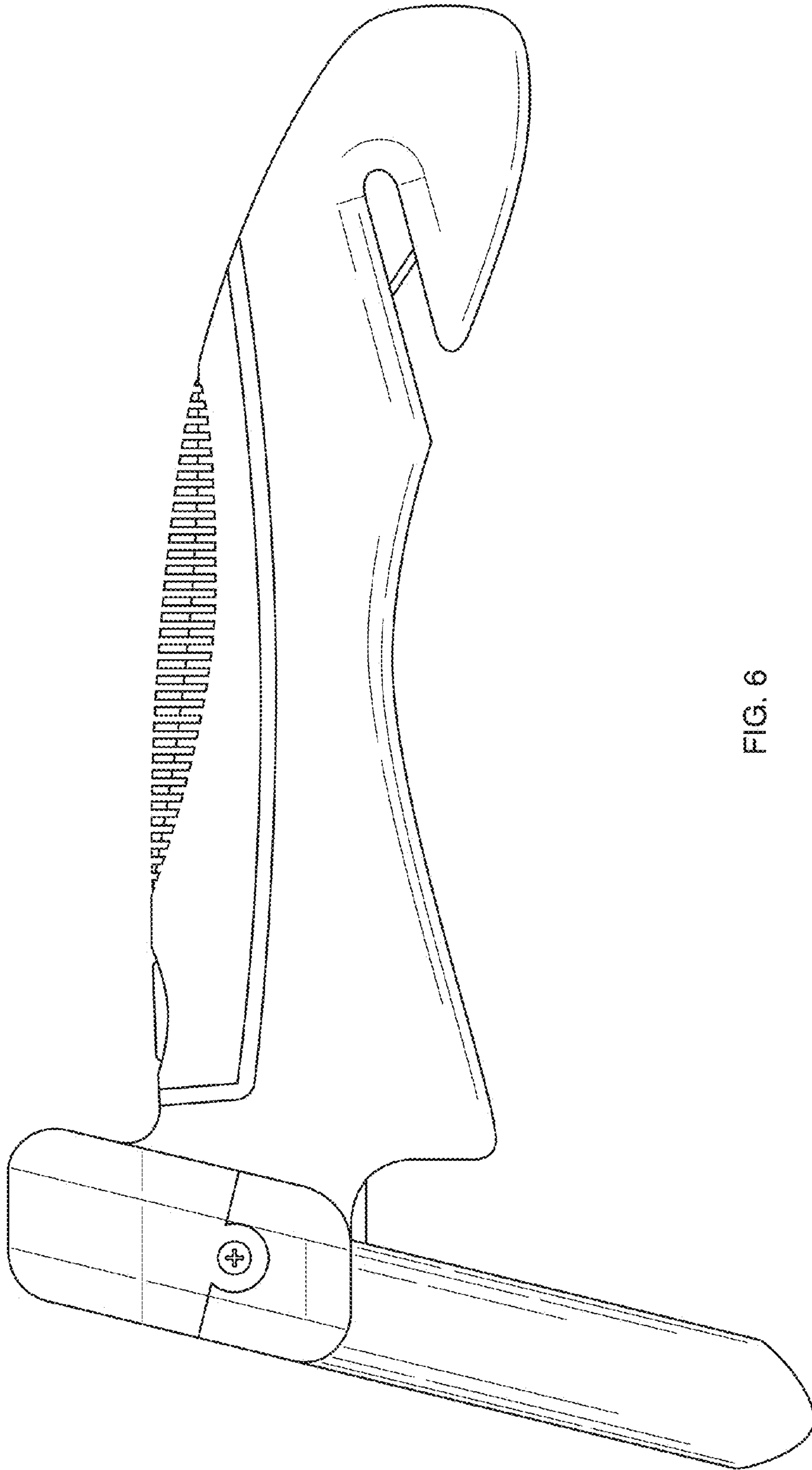


FIG. 6