

US00D766807S

(12) **United States Design Patent**  
**Conrad**

(10) **Patent No.:** **US D766,807 S**

(45) **Date of Patent:** **\*\* \*Sep. 20, 2016**

- (54) **RAILING ASSEMBLY**
- (71) Applicant: **Premier Marine, Inc.**, Wyoming, MN (US)
- (72) Inventor: **Kristie Conrad**, Cambridge, MN (US)
- (73) Assignee: **Premier Marine, Inc.**, Wyoming, MN (US)
- (\*) Notice: This patent is subject to a terminal disclaimer.
- (\*\*) Term: **15 Years**
- (21) Appl. No.: **29/527,014**
- (22) Filed: **May 14, 2015**
- (51) **LOC (10) Cl.** ..... **12-06**
- (52) **U.S. Cl.**  
USPC ..... **D12/317**
- (58) **Field of Classification Search**  
USPC ..... D12/300–318; D25/38.1, 41.1;  
114/61.1, 61.14, 61.2, 61.22, 61.24,  
114/343, 352, 355, 356, 357, 361  
CPC ..... B63B 1/12; B63B 1/121; B63B 1/125;  
B63B 17/02; B63B 17/026; B63B 17/04  
See application file for complete search history.

- 5,706,752 A \* 1/1998 Menne, Jr. .... B63B 17/02  
114/361
- 5,706,754 A \* 1/1998 Menne, Jr. .... B63B 17/04  
114/364
- D397,987 S \* 9/1998 Anderson ..... D12/300
- D416,852 S \* 11/1999 Clarke ..... D12/300
- 6,158,377 A \* 12/2000 Szukhent, Jr. .... B63B 17/02  
114/361
- 6,209,477 B1 \* 4/2001 Biedenweg ..... B60J 7/1282  
114/361
- 6,598,552 B1 \* 7/2003 Rouse ..... B63B 1/12  
114/292
- D513,224 S \* 12/2005 Powers ..... D12/300
- D516,495 S \* 3/2006 Menne ..... D12/300
- 7,185,599 B1 \* 3/2007 Griffiths ..... B63B 35/665  
114/248
- 7,520,240 B2 \* 4/2009 Tufte ..... B63B 17/02  
114/361
- D641,747 S \* 7/2011 Gisborne ..... D14/300
- 8,056,495 B2 \* 11/2011 Lemons ..... B63B 17/02  
114/361
- 8,770,136 B2 \* 7/2014 Larson ..... B63B 17/02  
114/361
- D718,698 S \* 12/2014 Cooney ..... D12/317

\* cited by examiner

*Primary Examiner* — Cynthia M Chin  
(74) *Attorney, Agent, or Firm* — Winthrop & Weinstine, P.A.

(57) **CLAIM**  
The ornamental design for a railing assembly, as shown and described.

(56) **References Cited**

**U.S. PATENT DOCUMENTS**

- D298,310 S \* 11/1988 Robbins ..... D12/306
- 4,883,016 A \* 11/1989 Larson ..... B63B 29/14  
114/363
- D315,138 S \* 3/1991 Simpkins, Sr. .... D12/304
- 5,056,448 A \* 10/1991 Miller, Sr. .... B63B 7/04  
114/357
- 5,085,165 A \* 2/1992 Reed ..... B63B 27/14  
114/362
- D341,811 S \* 11/1993 Pepper ..... D12/300
- 5,279,249 A \* 1/1994 Pepper ..... B63B 3/18  
114/355
- 5,558,034 A \* 9/1996 Hodapp ..... B63C 13/00  
114/44

**DESCRIPTION**

FIG. 1 is a perspective view of the railing assembly; FIG. 2 is a front view of the railing assembly of FIG. 1; FIG. 3 is a left side view of the railing assembly of FIG. 1; FIG. 4 is a rear view of the railing assembly of FIG. 1; FIG. 5 is a right side view of the railing assembly of FIG. 1; FIG. 6 is a top view of the railing assembly of FIG. 1; and, FIG. 7 is a bottom view of the railing assembly of FIG. 1. The broken lines represent the environment in which the article resides and unclaimed portions of the railing assembly. None of the broken lines form a part of the presently claimed design.

**1 Claim, 3 Drawing Sheets**

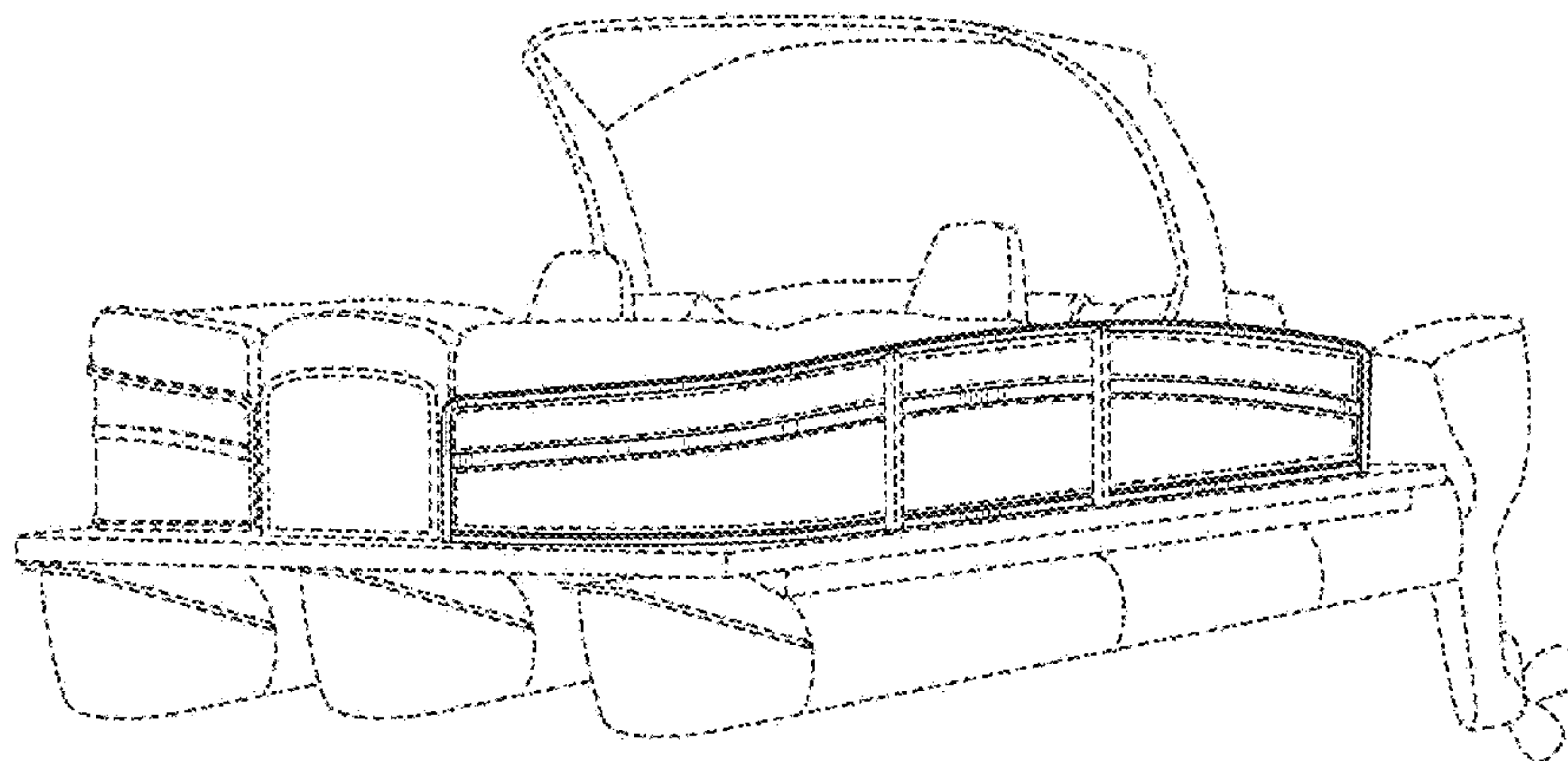


Fig. 1

