

US00D766805S

(12) **United States Design Patent**
Chung

(10) **Patent No.:** **US D766,805 S**

(45) **Date of Patent:** **** Sep. 20, 2016**

(54) **VEHICLE WHEEL**

(71) Applicant: **Wheel Pros, LLC**, Greenwood Village,
CO (US)

(72) Inventor: **Suny Chung**, Anaheim, CA (US)

(73) Assignee: **Wheel Pro, LLC**

(**) Term: **14 Years**

(21) Appl. No.: **29/504,361**

(22) Filed: **Oct. 5, 2014**

(51) **LOC (10) Cl.** **12-16**

(52) **U.S. Cl.**
USPC **D12/211**

(58) **Field of Classification Search**
USPC D12/204-213; 301/37.101, 64.101, 65
See application file for complete search history.

(56) **References Cited**

U.S. PATENT DOCUMENTS

D624,863 S * 10/2010 Zhao D12/211
D691,937 S * 10/2013 Chan D12/209
D695,193 S * 12/2013 Kong D12/211

D698,300 S * 1/2014 Chung D12/211
D704,617 S * 5/2014 Chung D12/211
D706,196 S * 6/2014 Lee D12/211
D707,167 S * 6/2014 Chung D12/209
D714,207 S * 9/2014 Kim D12/211
D718,204 S * 11/2014 Johnson D12/209
D726,630 S * 4/2015 Kong D12/211
D741,771 S * 10/2015 Johnson D12/209
2014/0116593 A1 * 5/2014 Lucaora F16F 15/324
152/427

* cited by examiner

Primary Examiner — Garth Rademaker

Assistant Examiner — Samantha Q Lawrence

(74) *Attorney, Agent, or Firm* — KC Bean, Esq.

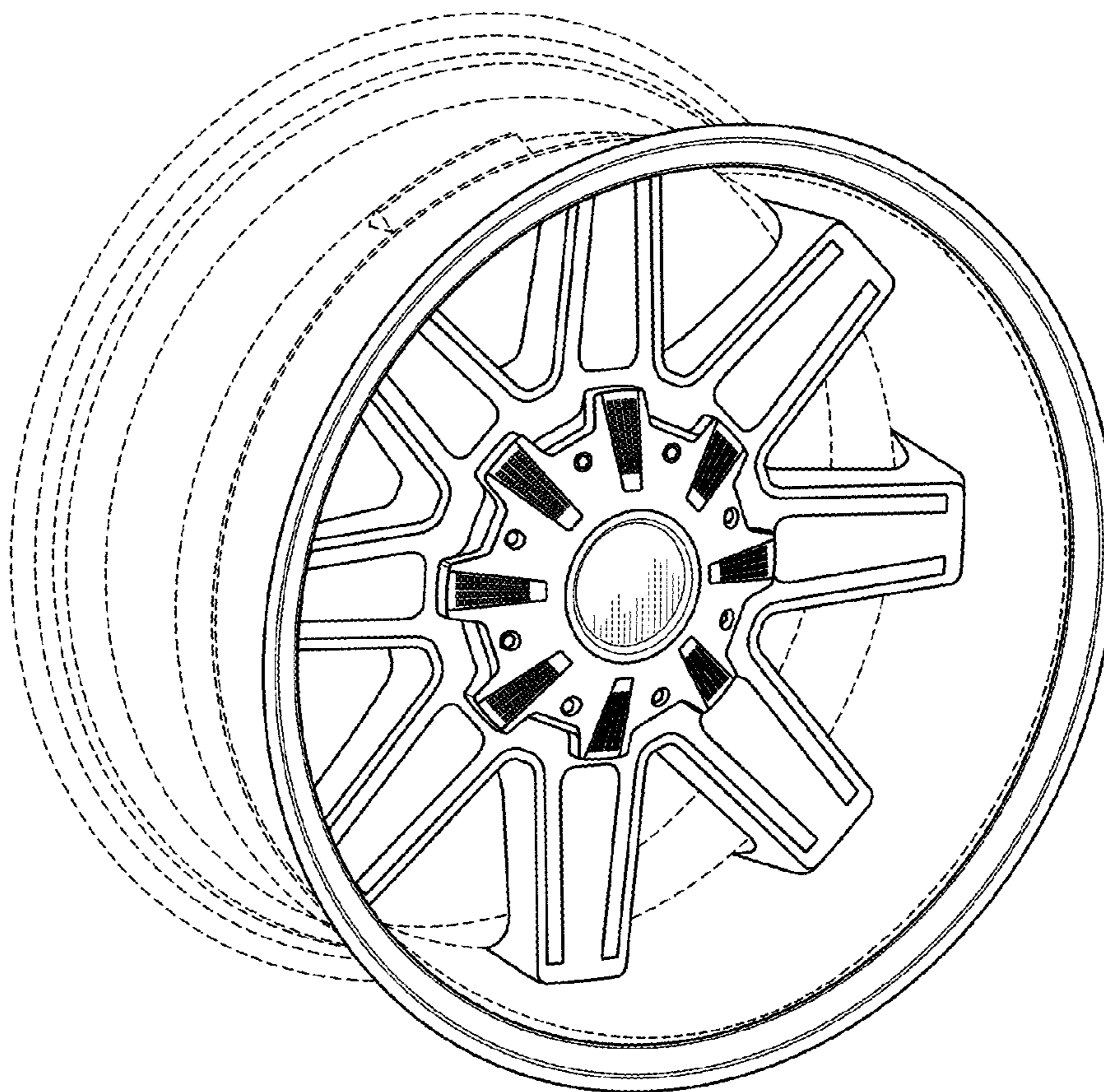
(57) **CLAIM**

The ornamental design for a vehicle wheel, as shown and described.

DESCRIPTION

FIG. 1 is a front perspective view of a vehicle wheel showing the new design; and, FIG. 2 is a front view thereof. The broken lines shown in FIGS. 1 and 2 illustrate portions of the vehicle wheel that form no part of the claimed design.

1 Claim, 2 Drawing Sheets



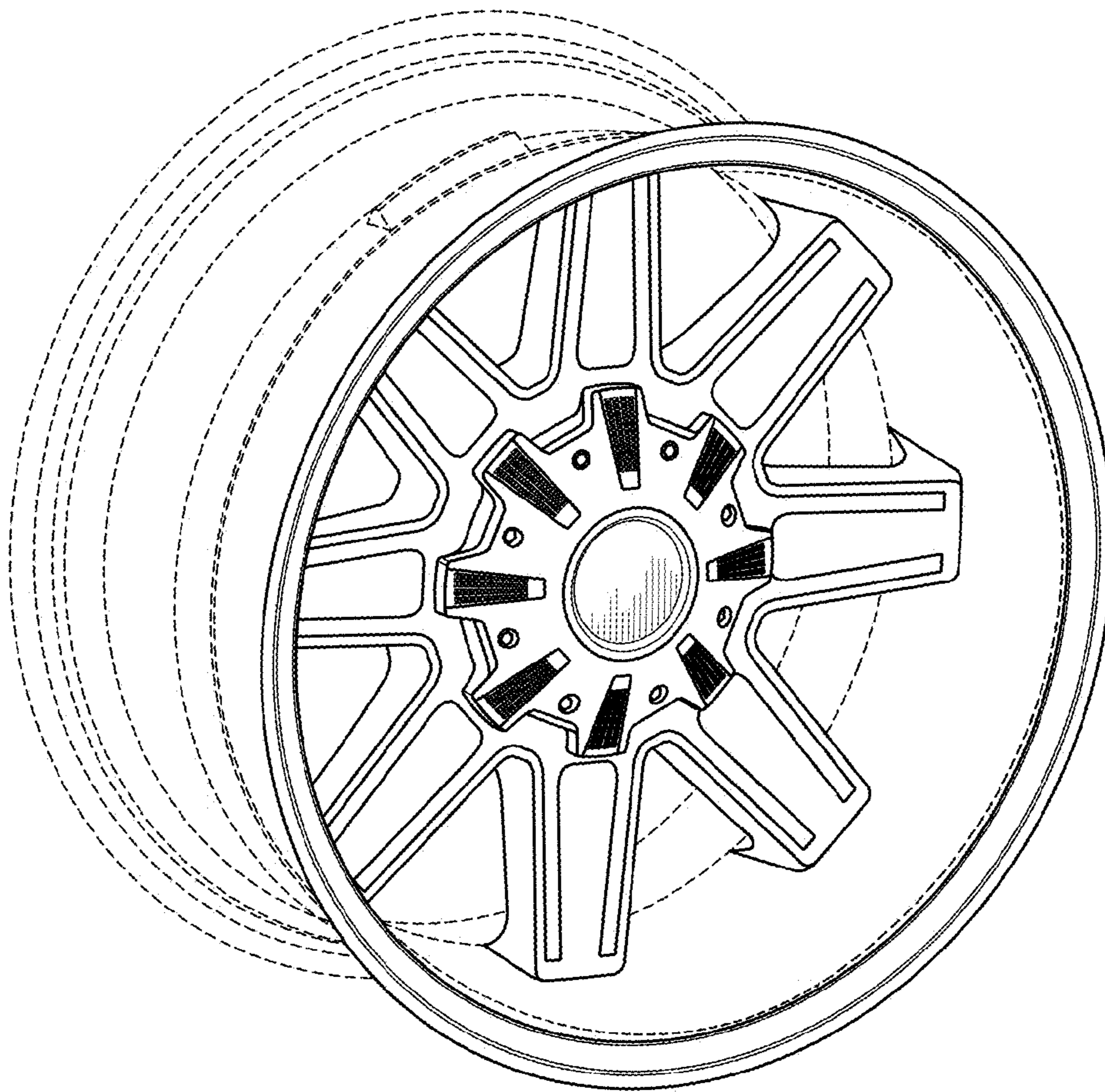


FIG. 1

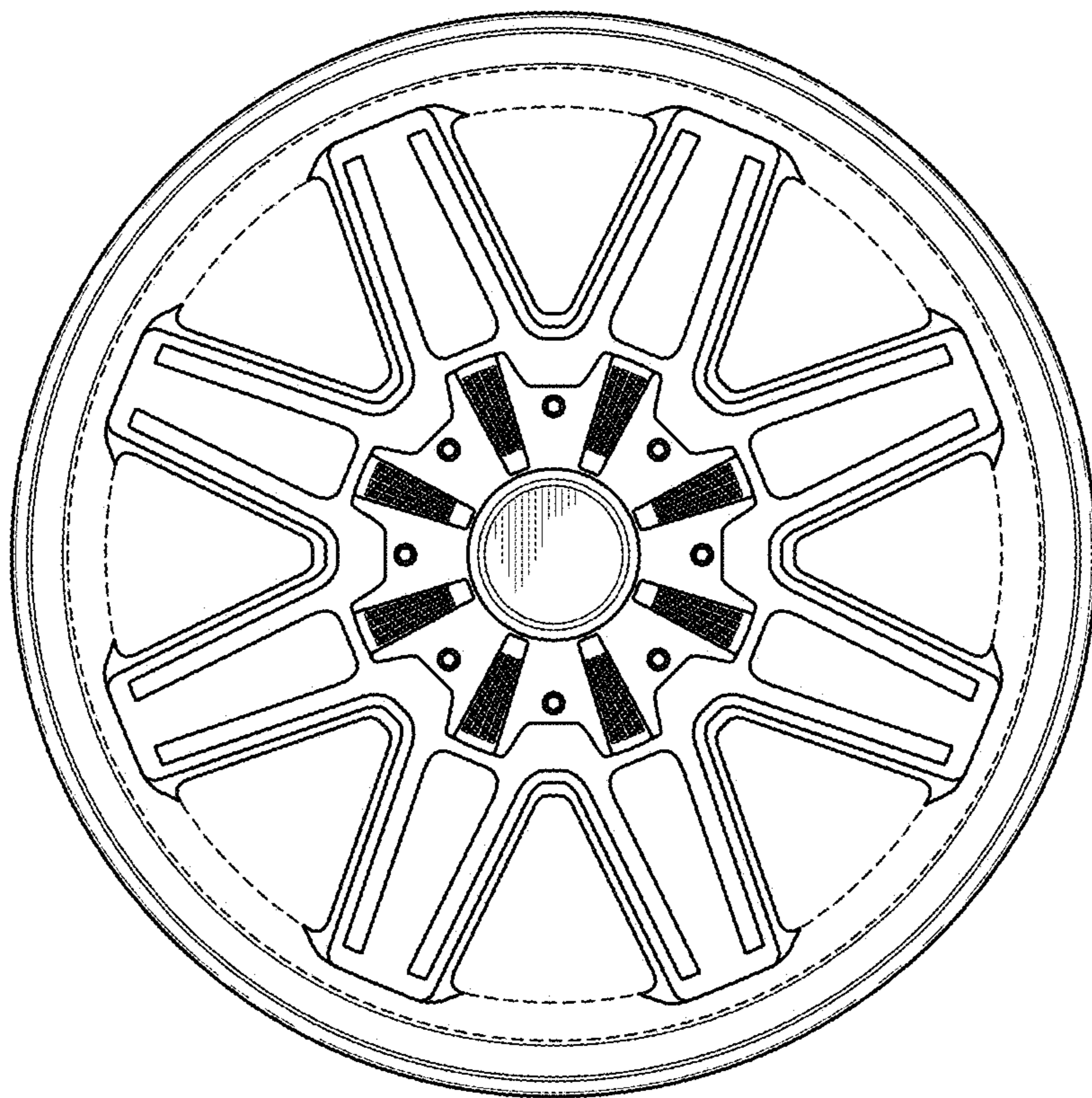


FIG. 2