

US00D766799S

(12) **United States Design Patent**  
**Lin et al.**

(10) **Patent No.:** **US D766,799 S**

(45) **Date of Patent:** **\*\* Sep. 20, 2016**

(54) **BICYCLE REAR HUB**

(71) Applicants: **Shang-Feng Lin**, Taichung (TW);  
**Hsiao-Wen Huang**, Taichung (TW)

(72) Inventors: **Shang-Feng Lin**, Taichung (TW);  
**Hsiao-Wen Huang**, Taichung (TW)

(\*\*) Term: **14 Years**

(21) Appl. No.: **29/525,919**

(22) Filed: **May 5, 2015**

(51) **LOC (10) Cl.** ..... **12-16**

(52) **U.S. Cl.**

USPC ..... **D12/207**

(58) **Field of Classification Search**

USPC ..... D12/204-213; 280/250.1, 279; 301/59,  
301/110.5, 108.5; 384/545

CPC ..... B60B 7/00; B60B 7/02; B60B 7/04;  
B60B 7/01; B60B 7/06; B60B 3/02; B60B  
3/04; B60B 3/06; B60B 3/10; B60B 1/00;  
B60B 1/08; B60B 1/10; B60B 1/12; B60B  
27/02; B60B 27/0052; B60B 27/0078;  
B60B 27/026; B62K 25/02

See application file for complete search history.

(56) **References Cited**

**U.S. PATENT DOCUMENTS**

D30,116 S *	1/1899	Barker	.....	D12/207
D281,155 S *	10/1985	Scura	.....	D12/207
D340,888 S *	11/1993	Ringle	.....	D12/207
D364,842 S *	12/1995	Hoeppner	.....	D12/207
D365,310 S *	12/1995	Chen	.....	D12/207

D369,336 S *	4/1996	Zemlicka	.....	D12/207
D381,310 S *	7/1997	Zemlicka	.....	D12/207
D430,093 S *	8/2000	Muraoka	.....	D12/207
D436,337 S *	1/2001	Yu	.....	D12/207
D440,533 S *	4/2001	Muraoka	.....	D12/207
6,318,810 B1 *	11/2001	Miyake	.....	B60B 27/02 301/110.5
D539,718 S *	4/2007	Asano	.....	D12/207
7,997,664 B2 *	8/2011	Wu	.....	B60B 27/02 301/110.5
D647,838 S *	11/2011	Lohr	.....	D12/207
8,176,631 B2 *	5/2012	Hsieh	.....	B60B 27/0078 301/110.5
D666,545 S *	9/2012	Kappius	.....	D12/207
D721,315 S *	1/2015	Delavy	.....	D12/207
9,085,197 B2 *	7/2015	Fujita	.....	B62K 25/02

\* cited by examiner

*Primary Examiner* — Stacia Cadmus

(74) *Attorney, Agent, or Firm* — Alan D. Kamrath;  
Kamrath IP Lawfirm, P.A.

(57) **CLAIM**

The ornamental design for a bicycle rear hub, as shown and described.

**DESCRIPTION**

FIG. 1 is a perspective view of a bicycle rear hub showing my design;

FIG. 2 is a front elevational view thereof;

FIG. 3 is a rear elevational view thereof;

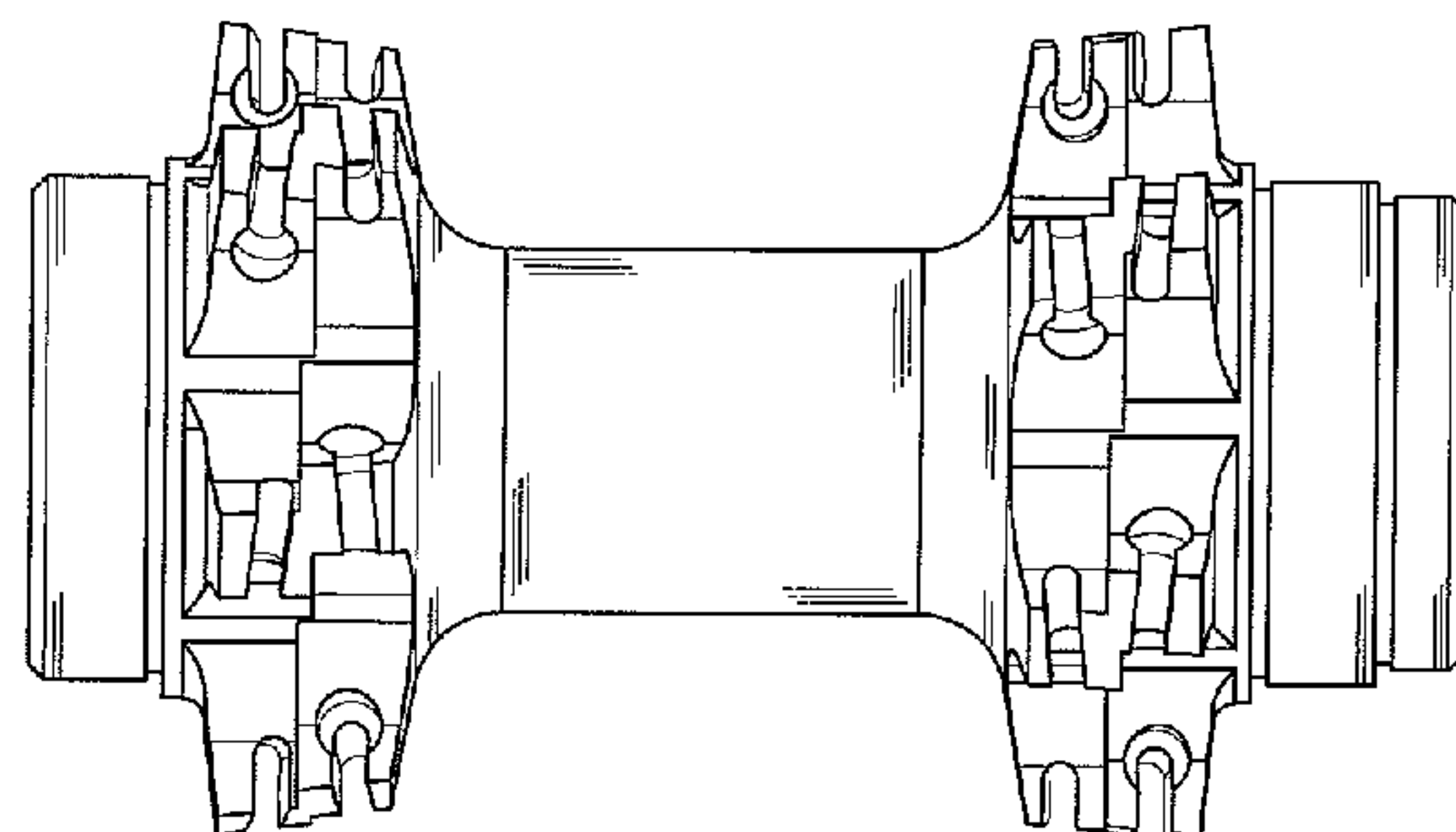
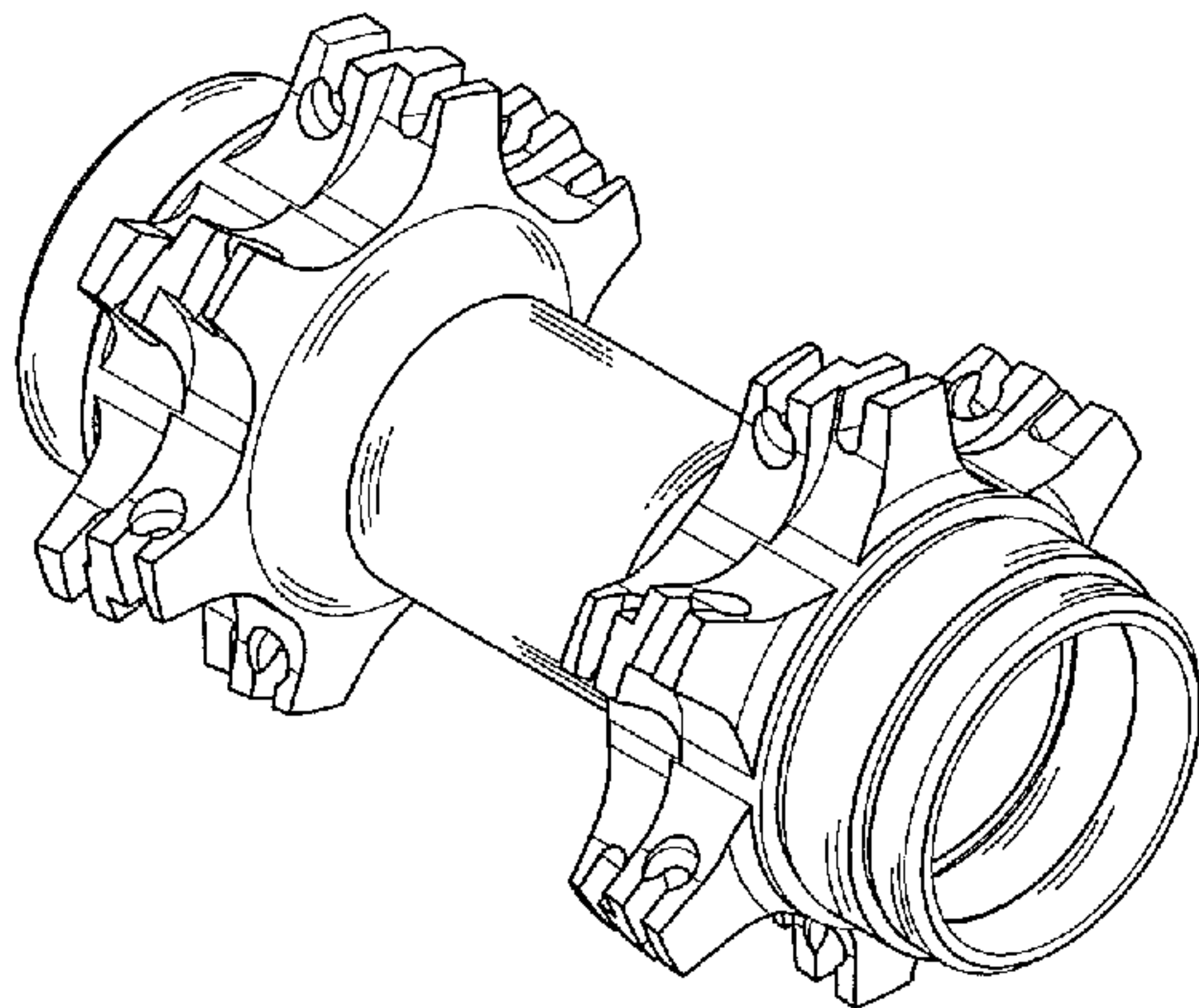
FIG. 4 is a left side elevational view thereof;

FIG. 5 is a right side elevational view thereof;

FIG. 6 is a top plan view thereof; and,

FIG. 7 is a bottom plan view thereof.

**1 Claim, 7 Drawing Sheets**



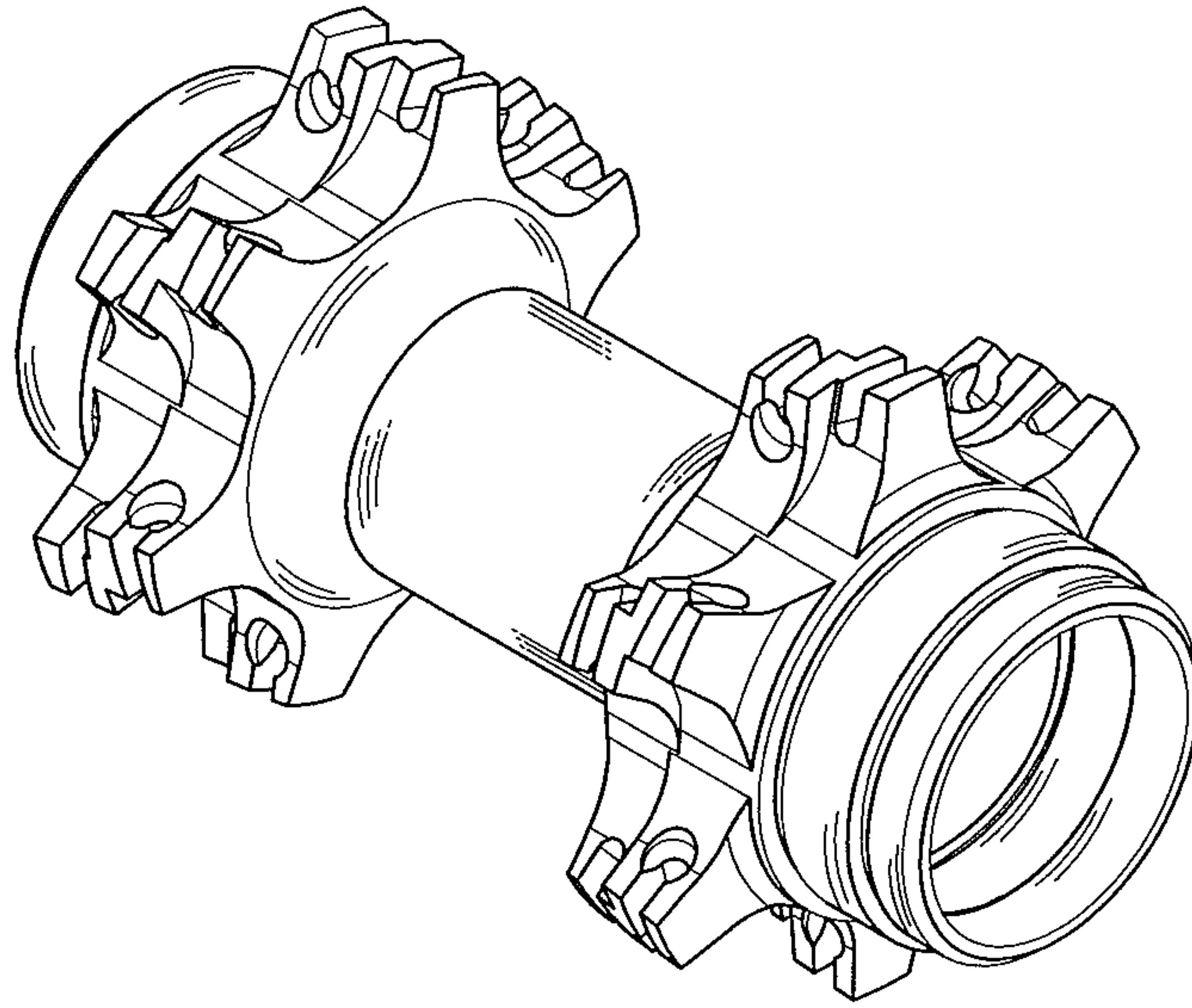


FIG. 1

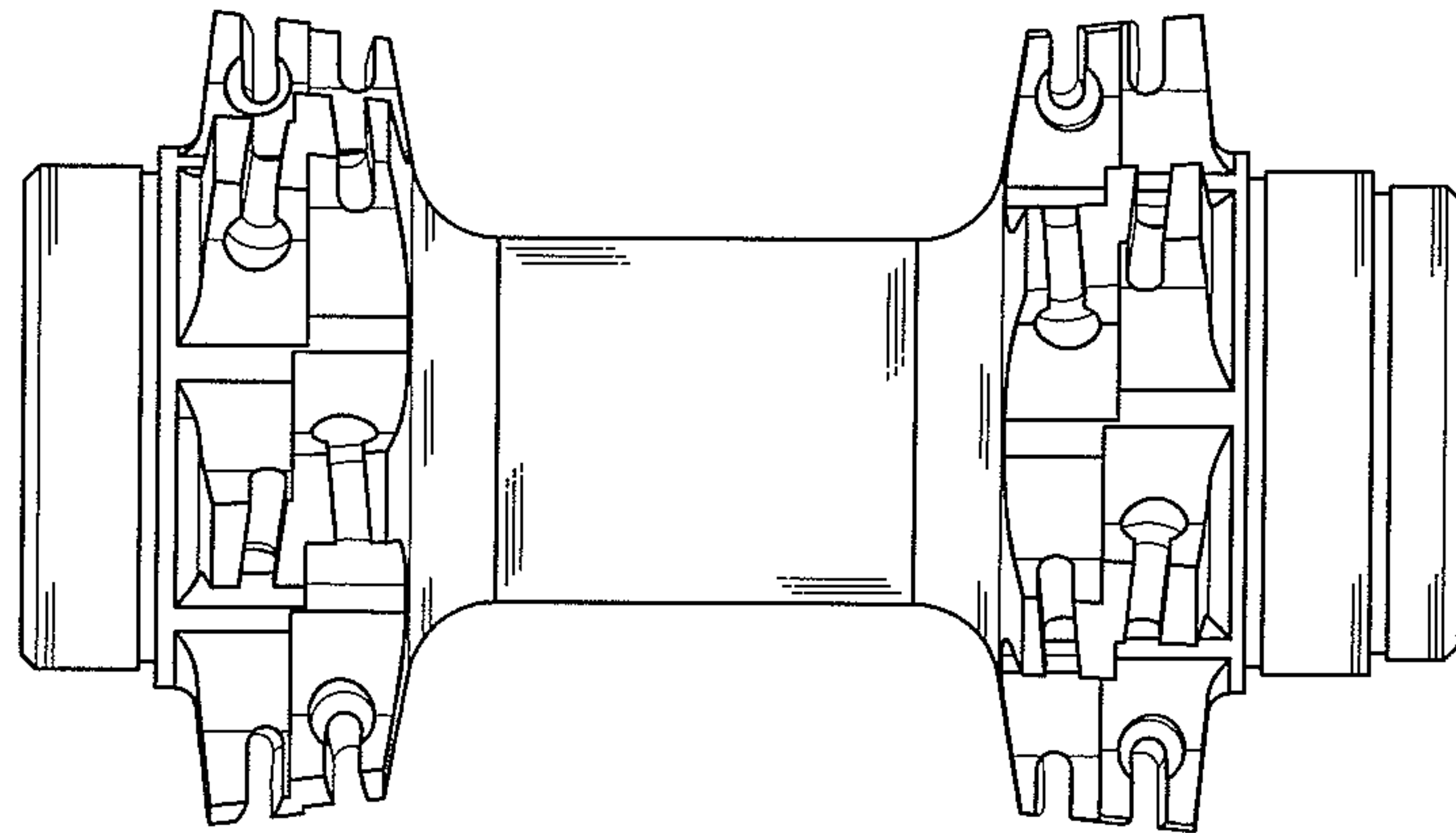


FIG. 2

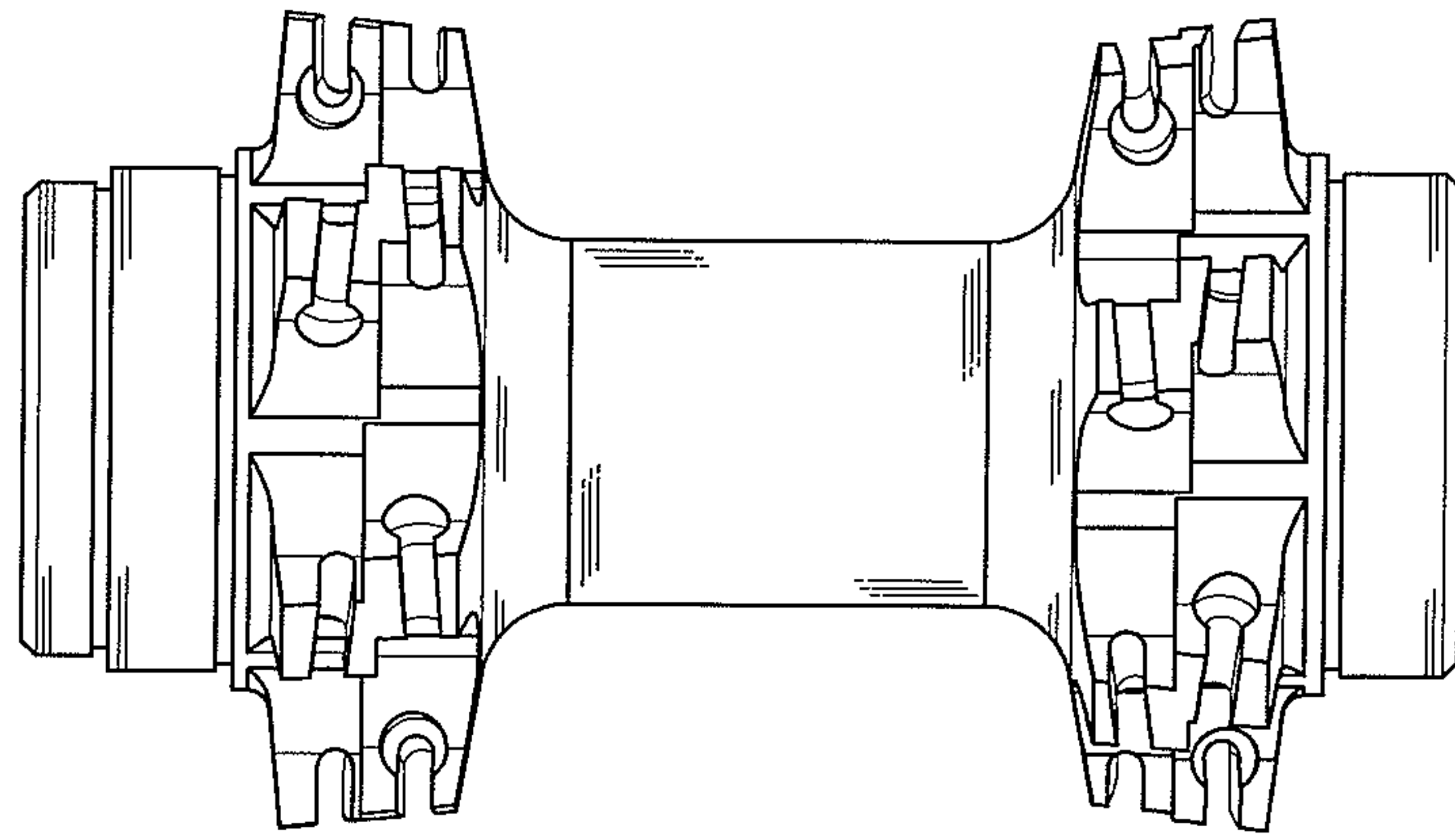


FIG. 3

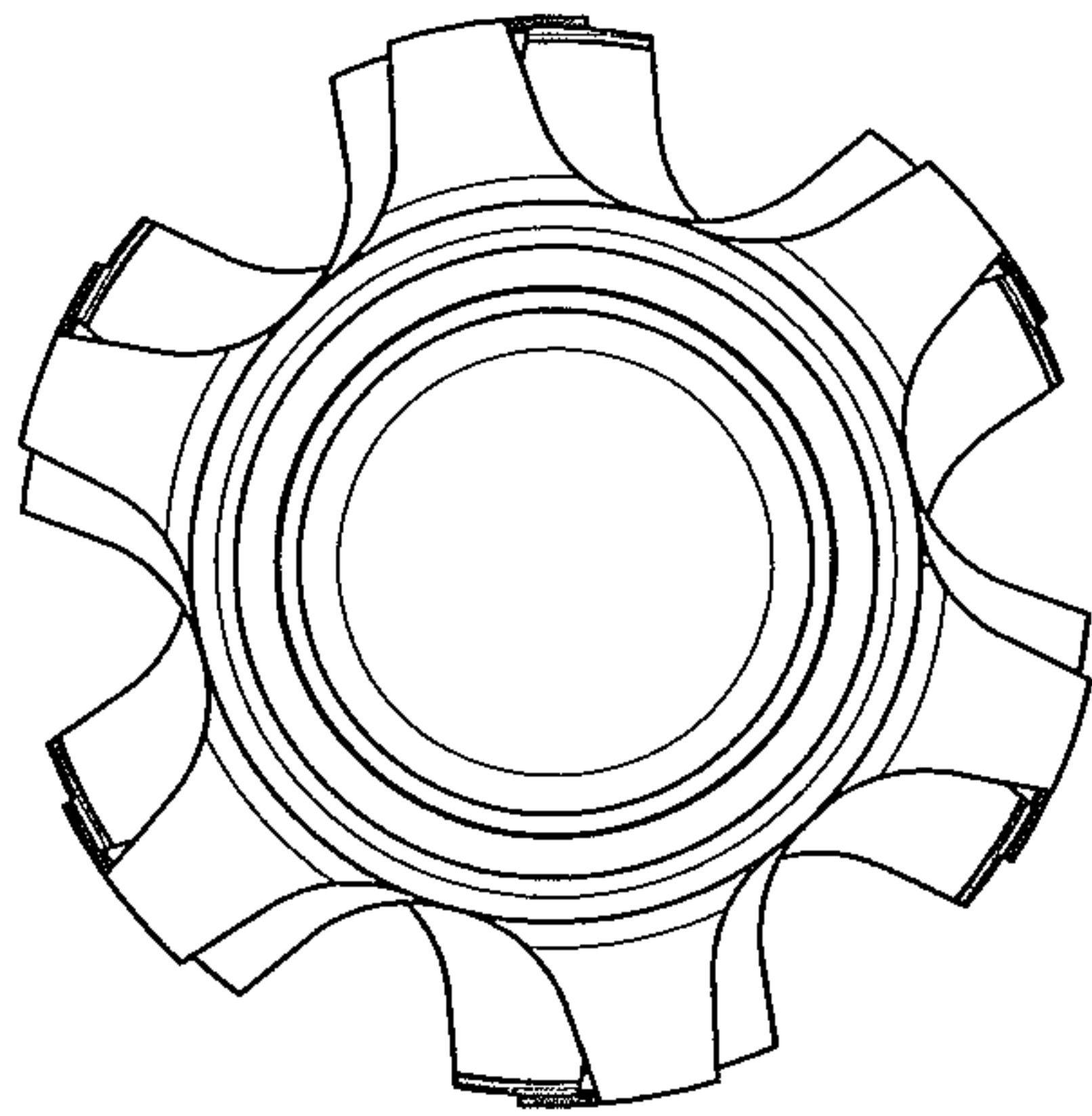


FIG. 4

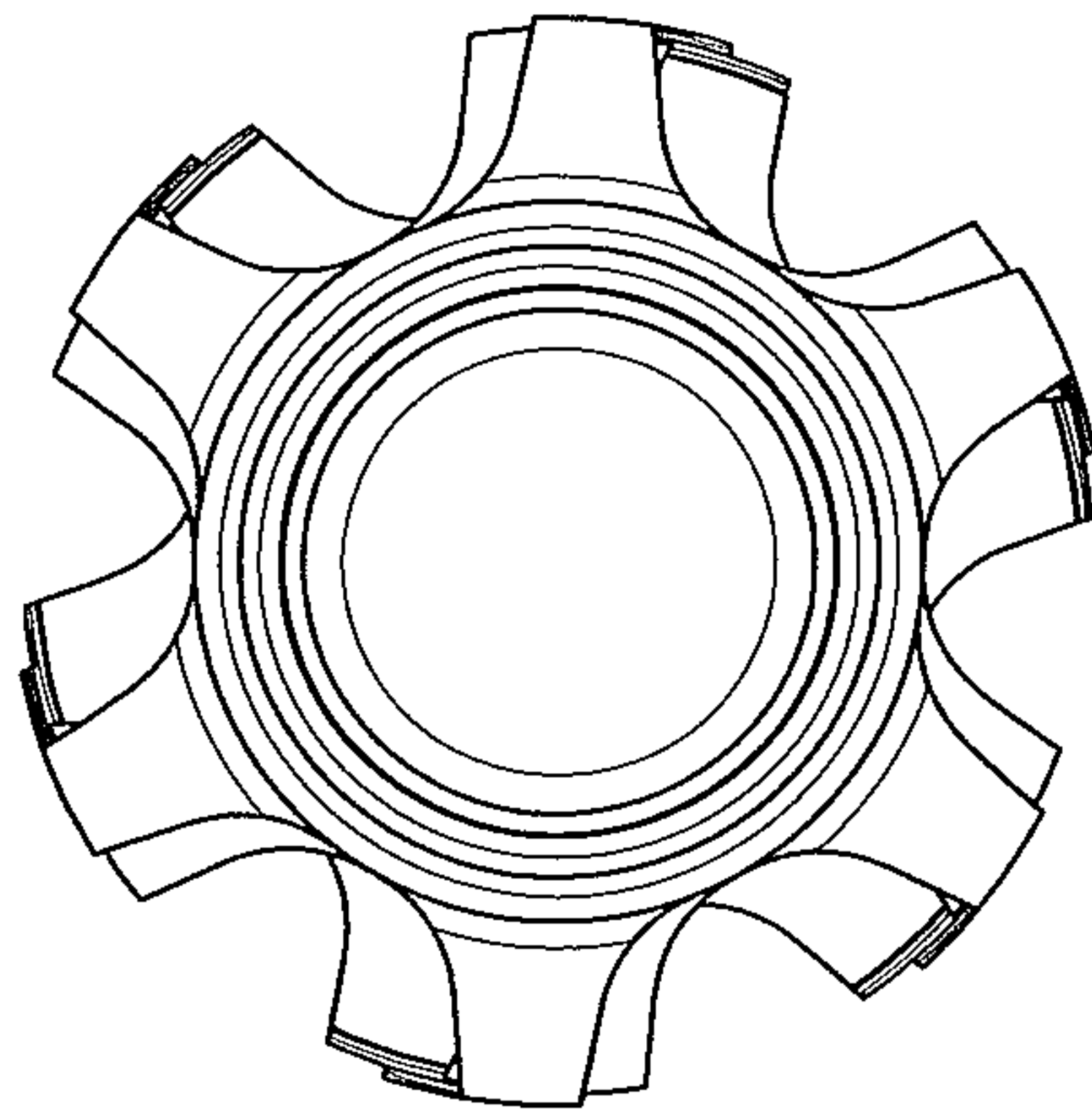


FIG. 5

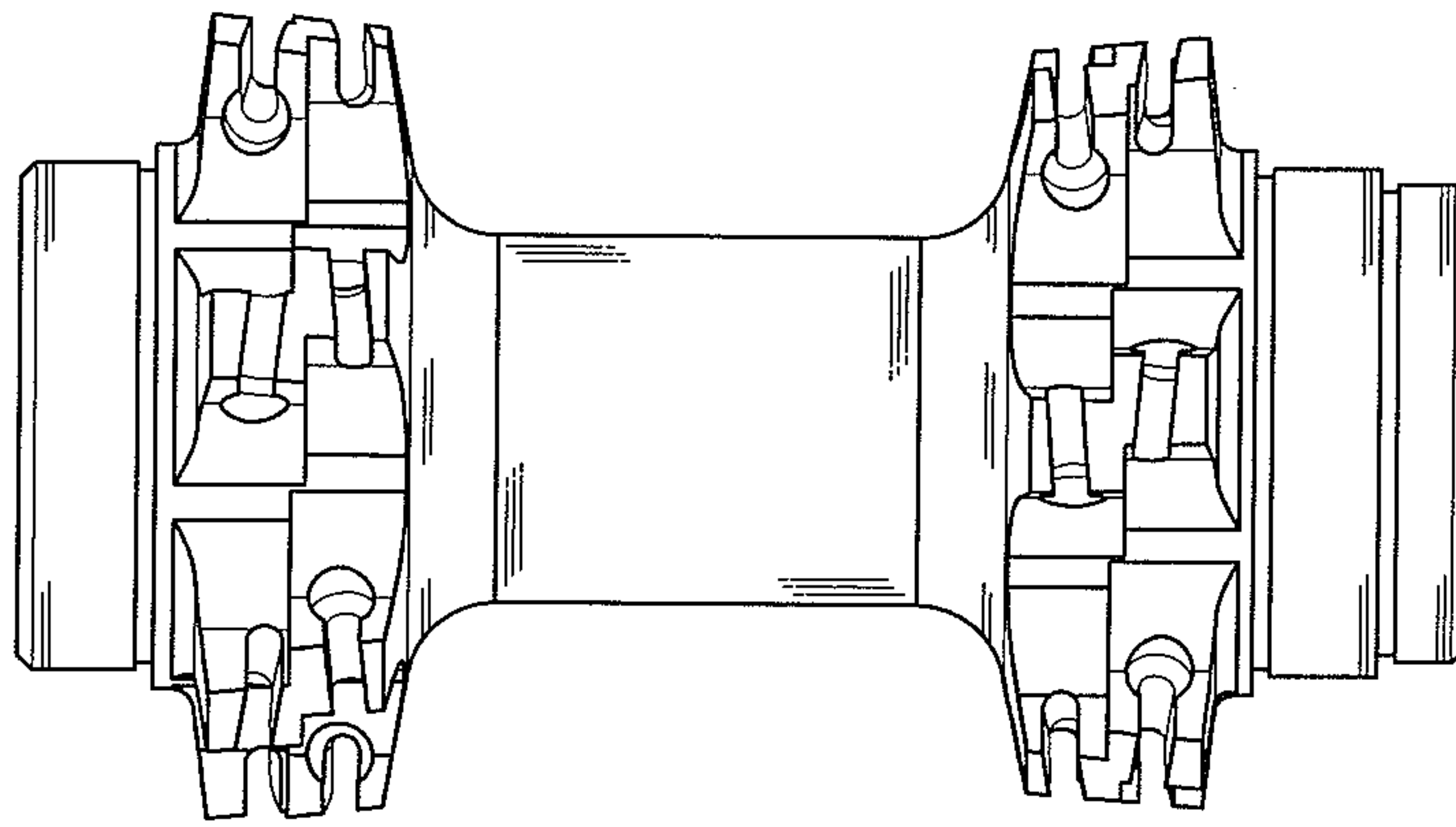


FIG. 6

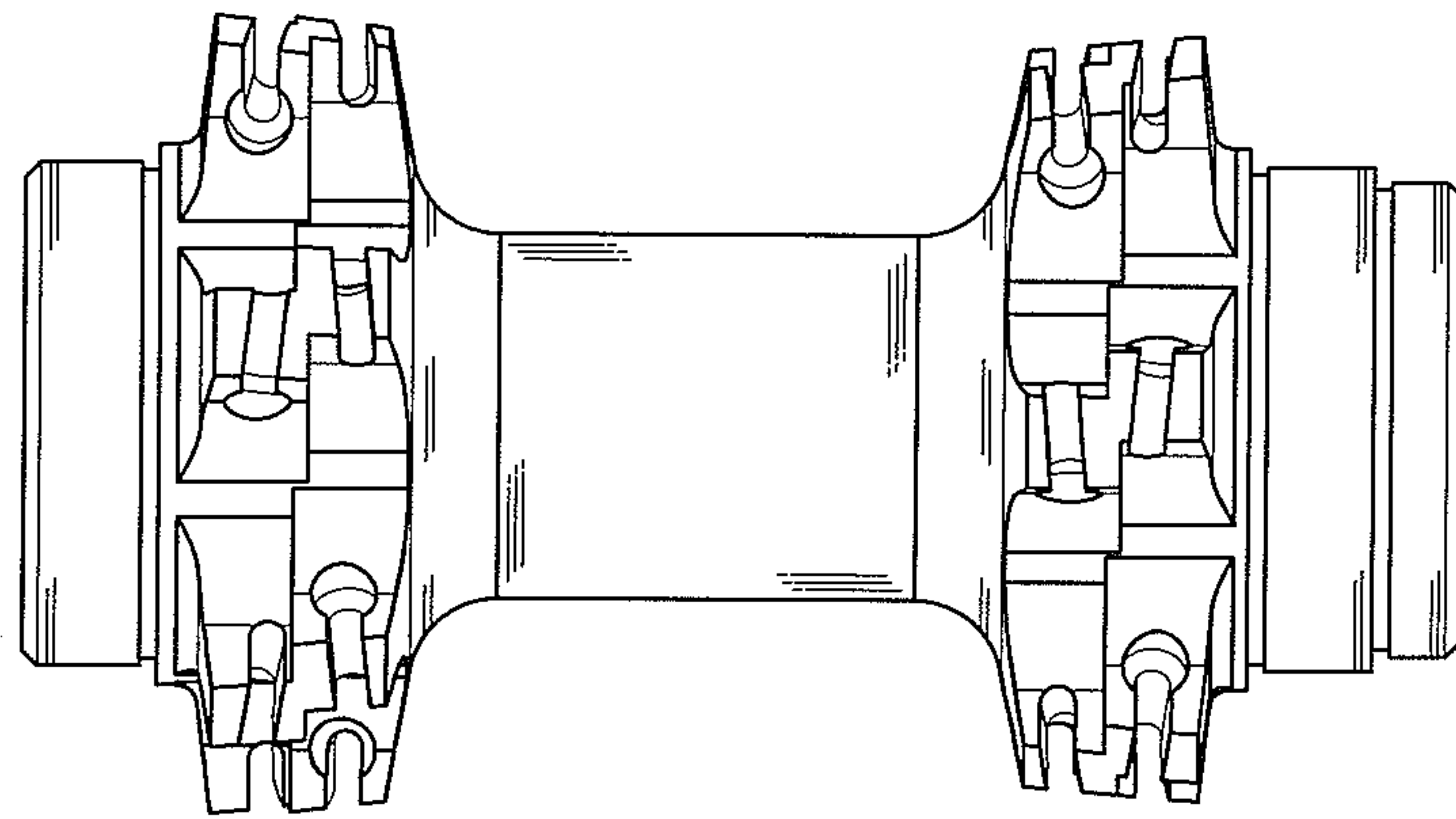


FIG. 7