



US00D766796S

(12) **United States Design Patent** (10) **Patent No.:** **US D766,796 S**
Huffman et al. (45) **Date of Patent:** **** Sep. 20, 2016**

(54) **STEP MAT**
(71) Applicant: **Safety Step, LLC**, Roanoke, VA (US)
(72) Inventors: **Paul Huffman**, Roanoke, VA (US);
Adam Humphrys, Roanoke, VA (US)
(73) Assignee: **Safety Step, LLC**, Roanoke, VA (US)
(**) Term: **14 Years**
(21) Appl. No.: **29/516,409**
(22) Filed: **Feb. 2, 2015**
(51) **LOC (10) Cl.** **12-16**
(52) **U.S. Cl.**
USPC **D12/203**
(58) **Field of Classification Search**
USPC D12/203, 89, 314, 162, 190
CPC B60R 3/002; B60R 3/00; B60R 3/04
See application file for complete search history.

D573,929 S * 7/2008 Black D12/203
D582,826 S * 12/2008 Burchett D12/203
7,513,519 B2 * 4/2009 Sharpe A47L 23/26
280/163
D595,630 S * 7/2009 McPherson D12/203
D607,395 S 1/2010 Beigel
D665,713 S 8/2012 Pochurek et al.
D713,772 S * 9/2014 Ziaylek D12/203
D714,702 S 10/2014 Higgs et al.
D727,820 S 4/2015 Wegener et al.
D737,746 S 9/2015 Wegener et al.
D742,798 S 11/2015 Wegener et al.

* cited by examiner

Primary Examiner — George D Kirschbaum
Assistant Examiner — Clese Moore, Jr.
(74) *Attorney, Agent, or Firm* — Dority & Manning, P.A.

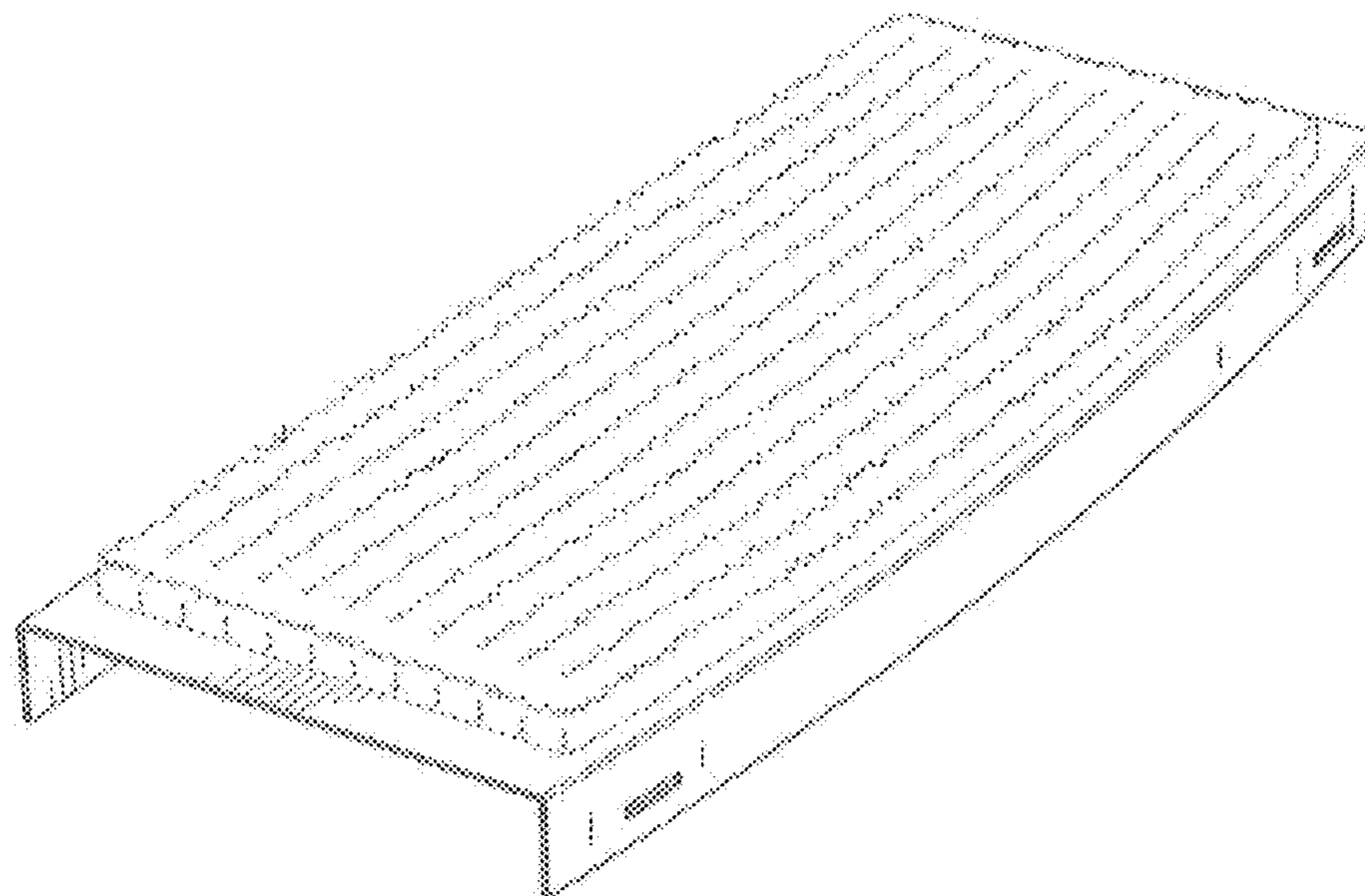
(57) **CLAIM**
The ornamental design for a step mat, as shown and described.

DESCRIPTION

FIG. 1 is a perspective view of the step mat according to the present invention;
FIG. 2 is a perspective view of the step mat installed on a step;
FIG. 3 is a front view of the step mat illustrated in FIG. 1;
FIG. 4 is a rear view of the step mat illustrated in FIG. 1;
FIG. 5 is a left side view of the step mat illustrated in FIG. 1;
FIG. 6 is a right side view of the step mat illustrated in FIG. 1;
FIG. 7 is a top view of the step mat illustrated in FIG. 1; and,
FIG. 8 is a bottom view of the step mat illustrated in FIG. 1.
The broken lines shown in FIGS. 1-8 illustrate environment that forms no part of the claimed design.

1 Claim, 5 Drawing Sheets

(56) **References Cited**
U.S. PATENT DOCUMENTS
D67,949 S * 8/1925 Erskine D12/203
D291,077 S * 7/1987 Parno D12/203
D365,544 S * 12/1995 Snyder D12/203
D384,020 S * 9/1997 Snyder D12/203
D397,979 S * 9/1998 Graneto, III D12/203
D398,272 S * 9/1998 Graneto, III D12/203
D440,931 S * 4/2001 Knight, III D12/203
D463,346 S * 9/2002 Pancheri D12/162
D474,436 S * 5/2003 Richardson D12/203
D505,902 S 6/2005 Goldstein
D506,171 S 6/2005 Oravec, III
D519,430 S * 4/2006 Moody D12/203
D537,399 S * 2/2007 Riddle D12/203
D539,502 S 3/2007 Quinlan, Jr. et al.
D549,145 S * 8/2007 Kieffer D12/203
D549,146 S * 8/2007 Kieffer D12/203



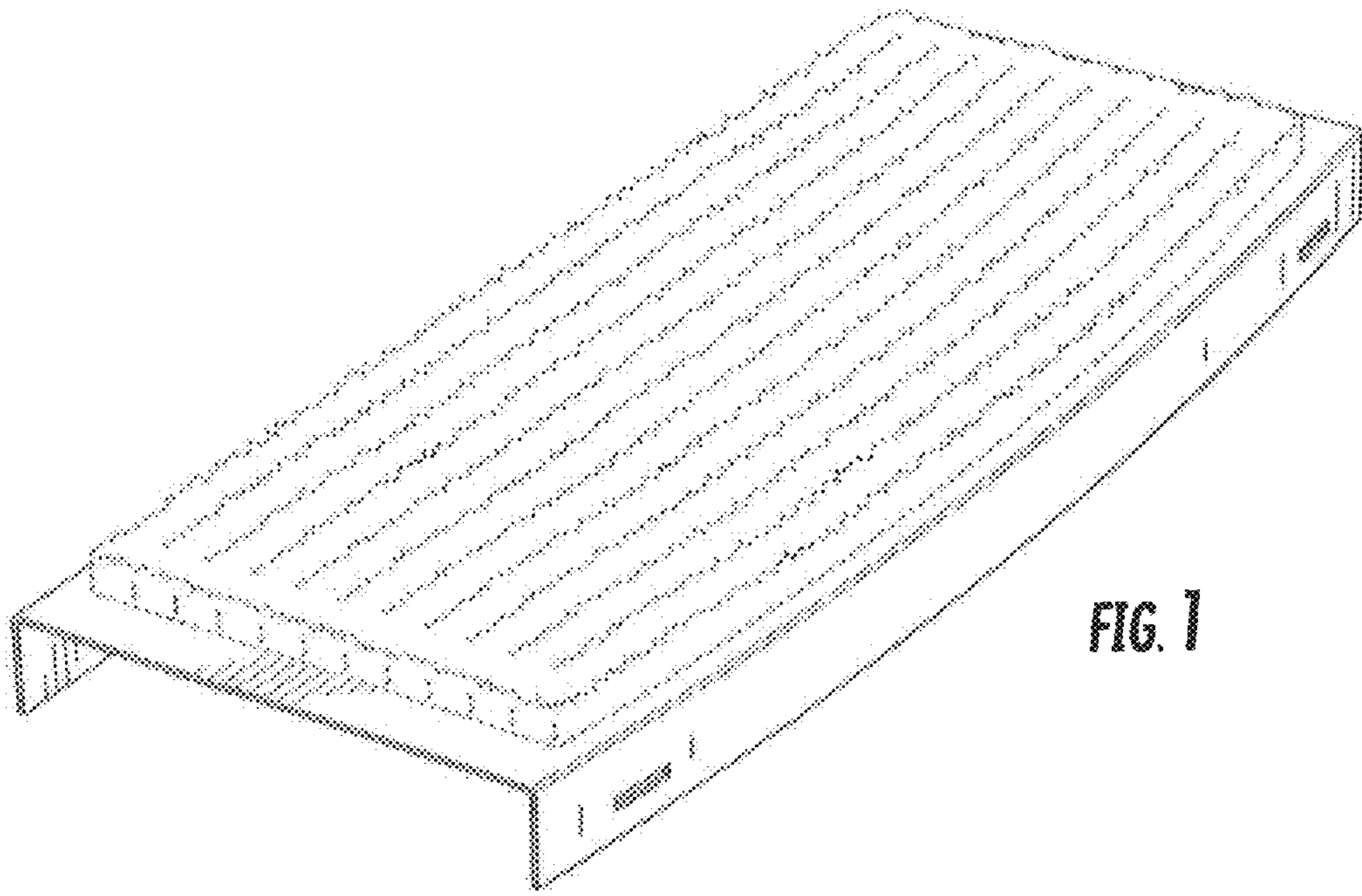


FIG. 1

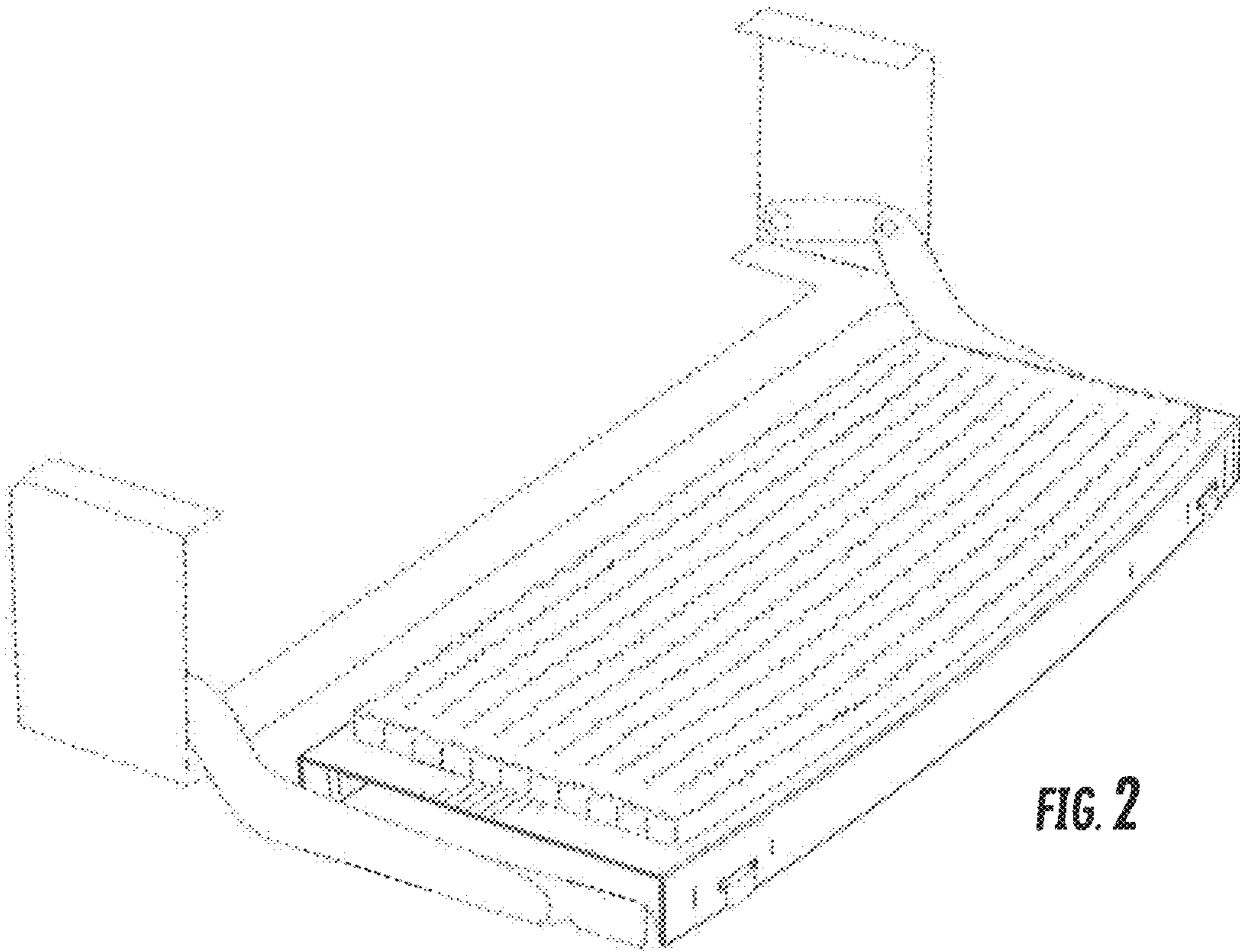


FIG. 2

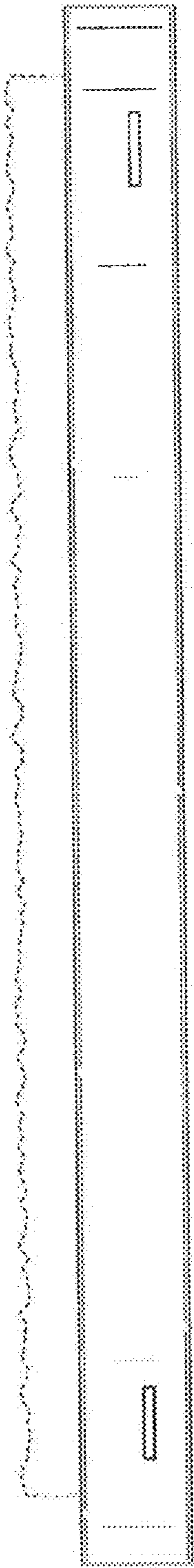


FIG. 3

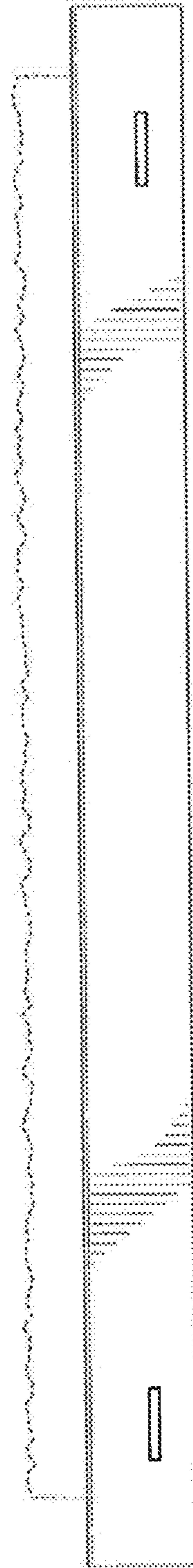


FIG. 4

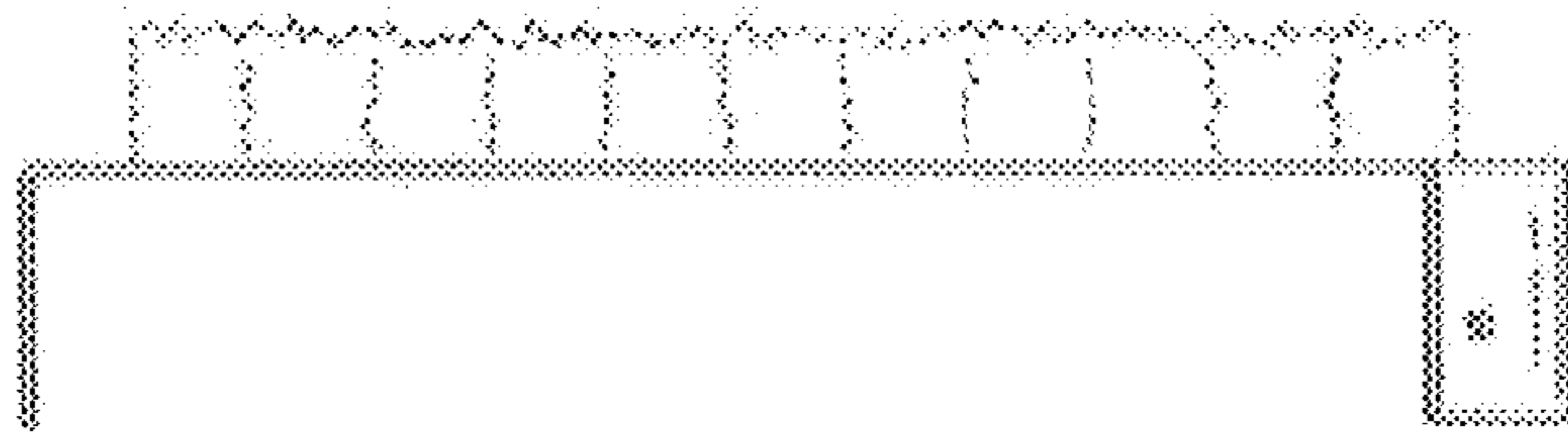


FIG. 5

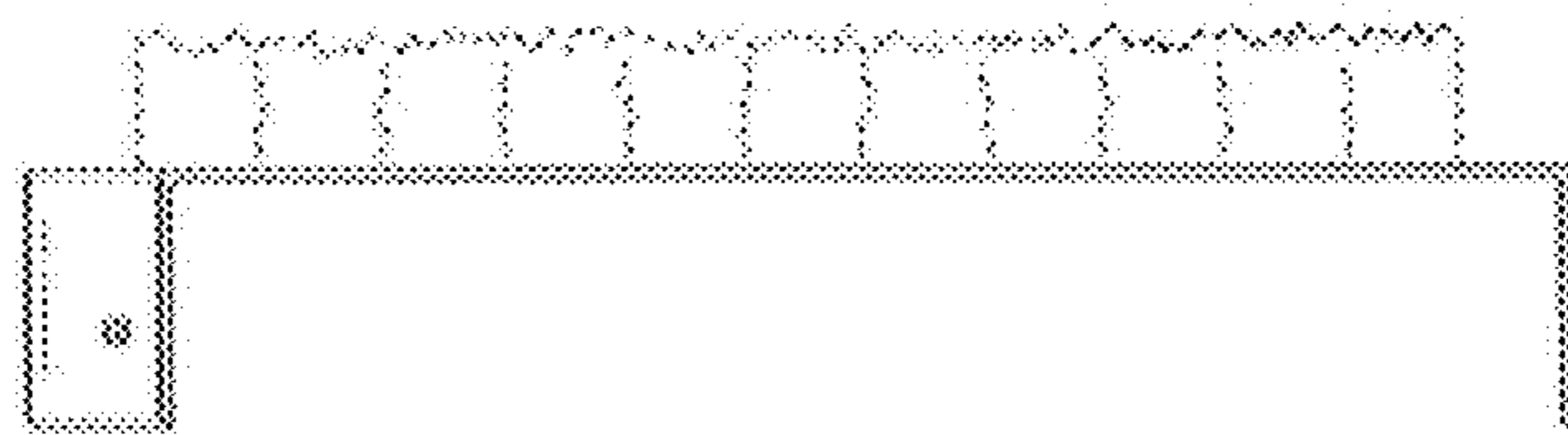


FIG. 6

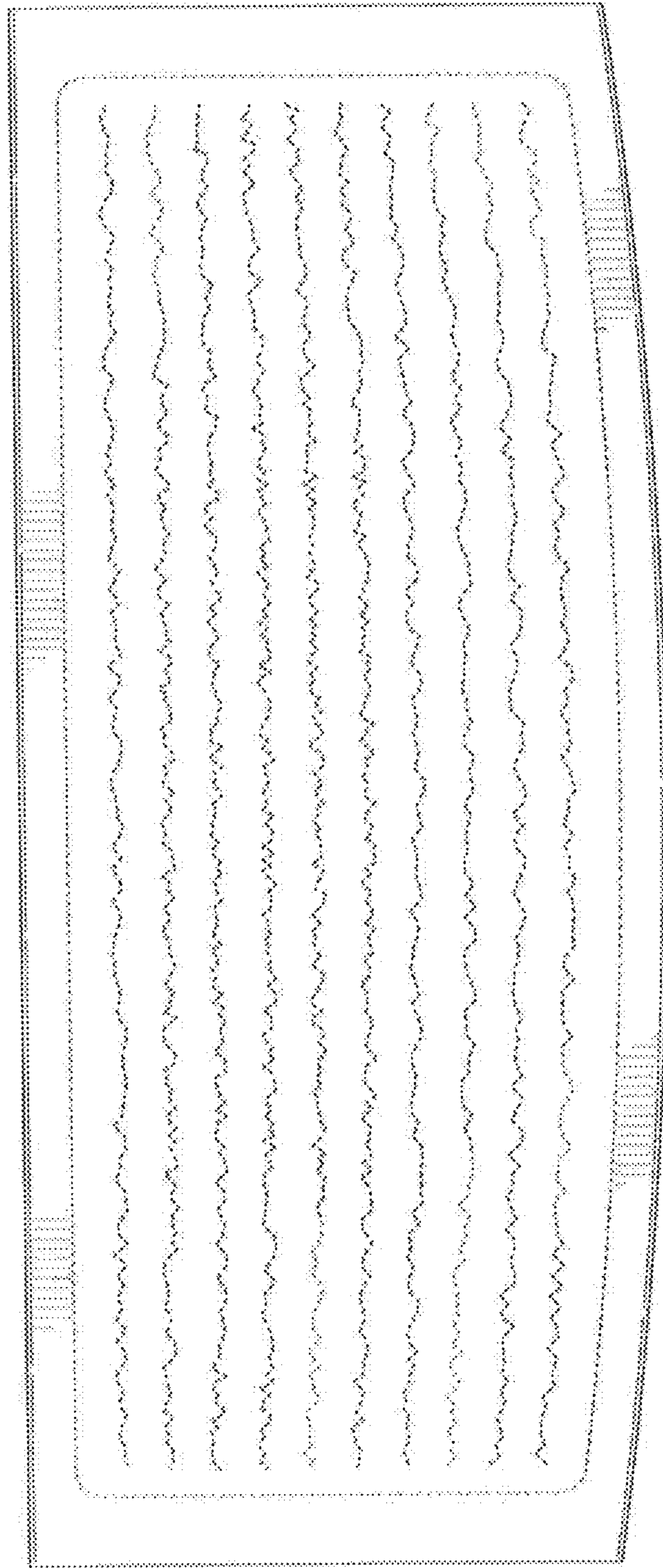


FIG. 7

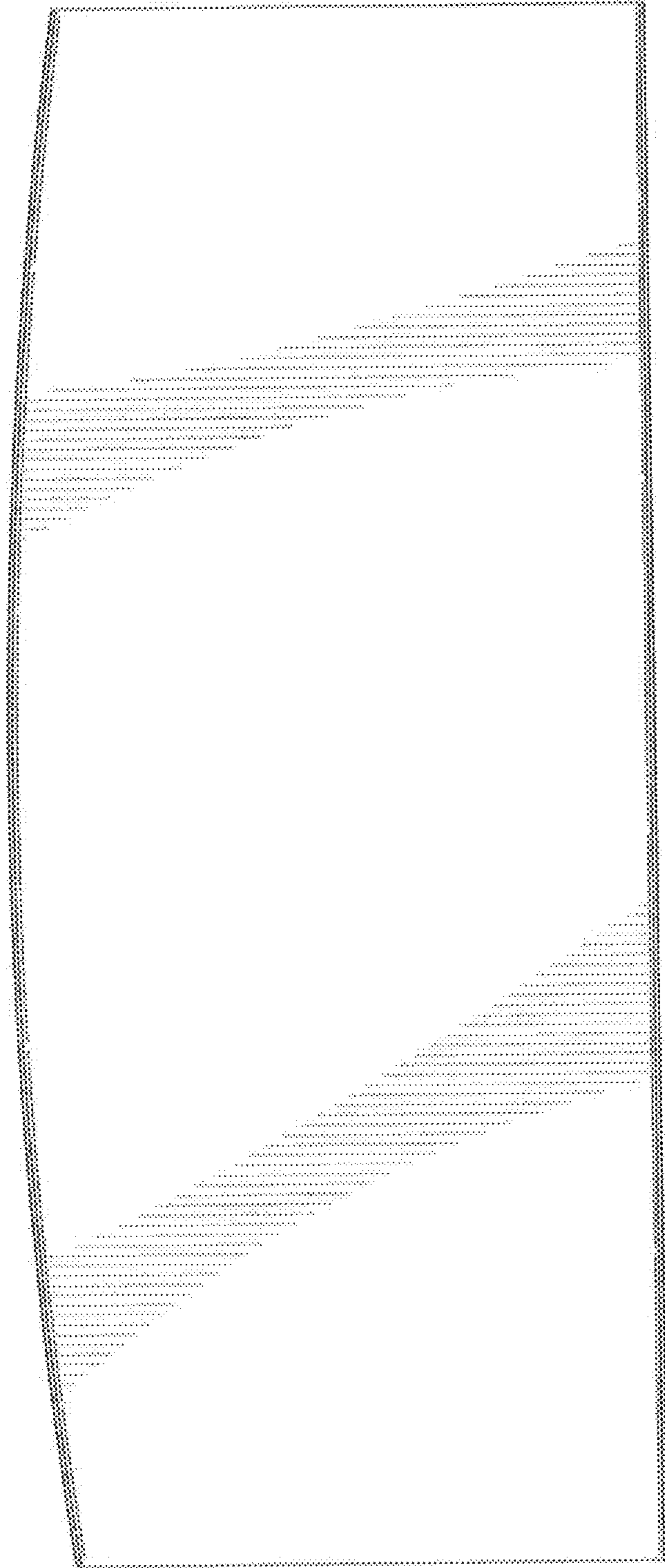


FIG. 8