

US00D766795S

(12) **United States Design Patent**  
**Kim et al.**

(10) **Patent No.:** **US D766,795 S**

(45) **Date of Patent:** **\*\* Sep. 20, 2016**

(54) **VEHICLE LIFTGATE**  
(71) Applicant: **GM GLOBAL TECHNOLOGY OPERATIONS LLC**, Detroit, MI (US)  
(72) Inventors: **Jeasoo Kim**, Troy, MI (US); **Phillip A. Zak, Jr.**, West Bloomfield, MI (US)  
(73) Assignee: **GM Global Technology Operations LLC**, Detroit, MI (US)

(\*\*) Term: **14 Years**

(21) Appl. No.: **29/525,879**

(22) Filed: **May 4, 2015**

(51) **LOC (10) Cl.** ..... **12-16**

(52) **U.S. Cl.**  
USPC ..... **D12/196**

(58) **Field of Classification Search**  
USPC ..... D12/86.88, 90, 91, 92, 181, 184, 196, D12/400; D21/424, 433, 434; 280/727, 847, 280/848; 296/181.1, 181.5  
CPC ..... B60J 5/04; B60J 5/0412; B60J 5/101; B60J 25/00; B60J 25/02; B60J 25/08; B60J 25/06; B60J 35/001; B60J 25/003; B60J 24/02

See application file for complete search history.

(56) **References Cited**

**U.S. PATENT DOCUMENTS**

D579,822 S \* 11/2008 Lo ..... D12/86  
D580,330 S \* 11/2008 Gueler ..... D12/196  
D582,824 S \* 12/2008 Kobayashi ..... D12/196  
D601,071 S \* 9/2009 Di Buduo ..... D12/196  
D617,708 S \* 6/2010 Lamm ..... D12/196  
D624,456 S \* 9/2010 Loeb ..... D12/86  
D630,563 S \* 1/2011 Schneider ..... D12/196

D634,686 S \* 3/2011 Matei ..... D12/164  
D653,596 S \* 2/2012 Tomatsu ..... D12/196  
D680,931 S \* 4/2013 Schmeckpeper ..... D12/196  
D681,529 S \* 5/2013 Minami ..... D12/196  
D684,515 S \* 6/2013 Oliver ..... 296/26.11  
D692,798 S 11/2013 Thurber  
D695,177 S \* 12/2013 Matsueda ..... D12/196  
D695,180 S \* 12/2013 Hildebrand ..... D12/196  
D695,664 S \* 12/2013 Suga ..... D12/196  
D698,717 S \* 2/2014 Kobayashi ..... D12/196  
D706,191 S \* 6/2014 Choi ..... D12/196  
D706,692 S \* 6/2014 Wheel ..... D12/196  
8,899,658 B1 \* 12/2014 Gangal ..... B60J 5/107  
296/146.6  
D725,566 S \* 3/2015 Rugar ..... D12/196  
8,985,675 B1 \* 3/2015 Gangal ..... B60J 5/101  
296/146.8  
D736,128 S \* 8/2015 Blanski ..... D12/196  
D743,314 S \* 11/2015 Thole ..... D12/196  
D751,014 S \* 3/2016 Wolff ..... D12/196

\* cited by examiner

*Primary Examiner* — Rosemary K Tarcza  
*Assistant Examiner* — Yolanda Robinson  
(74) *Attorney, Agent, or Firm* — Reising Ethington P.C.

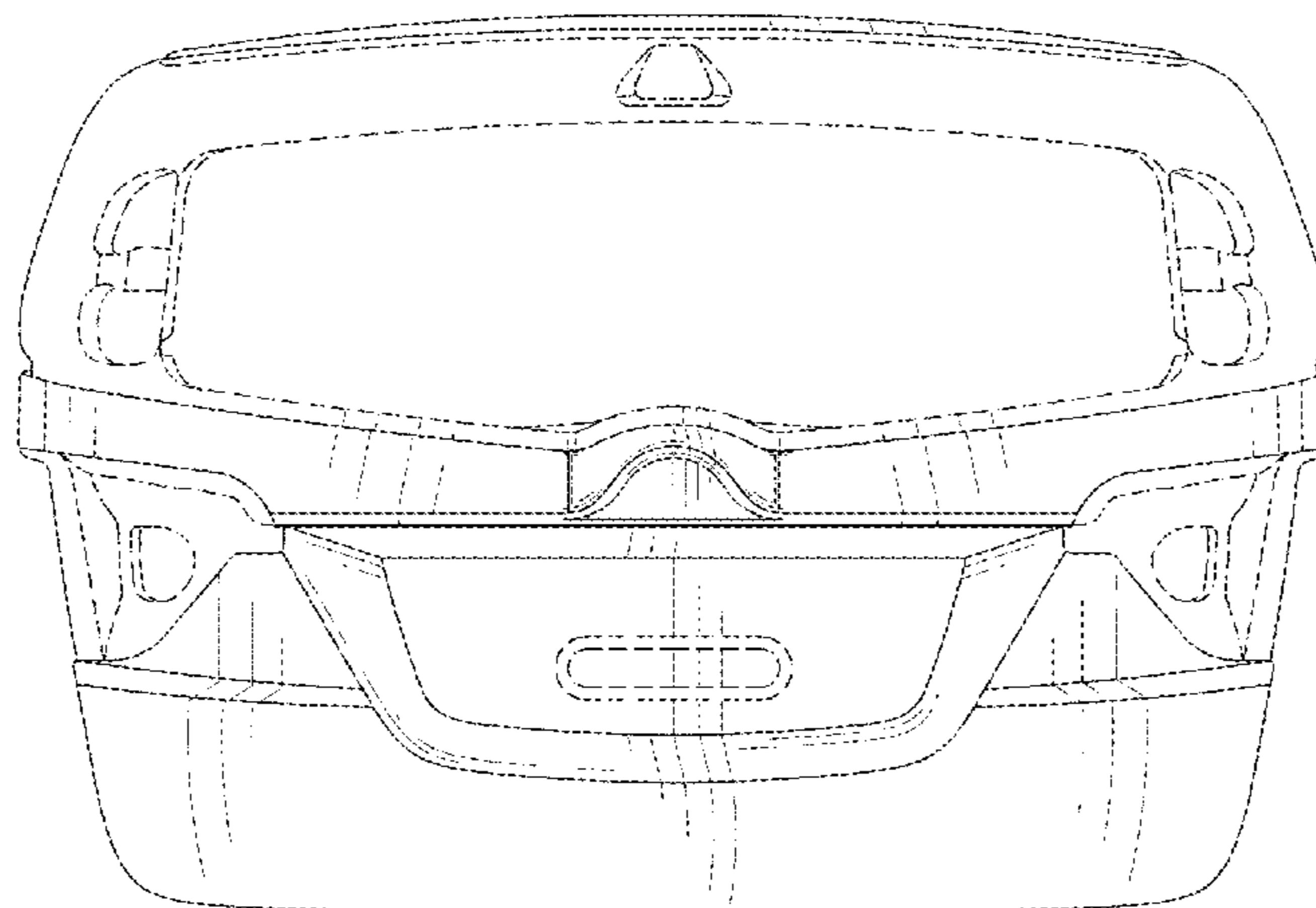
(57) **CLAIM**

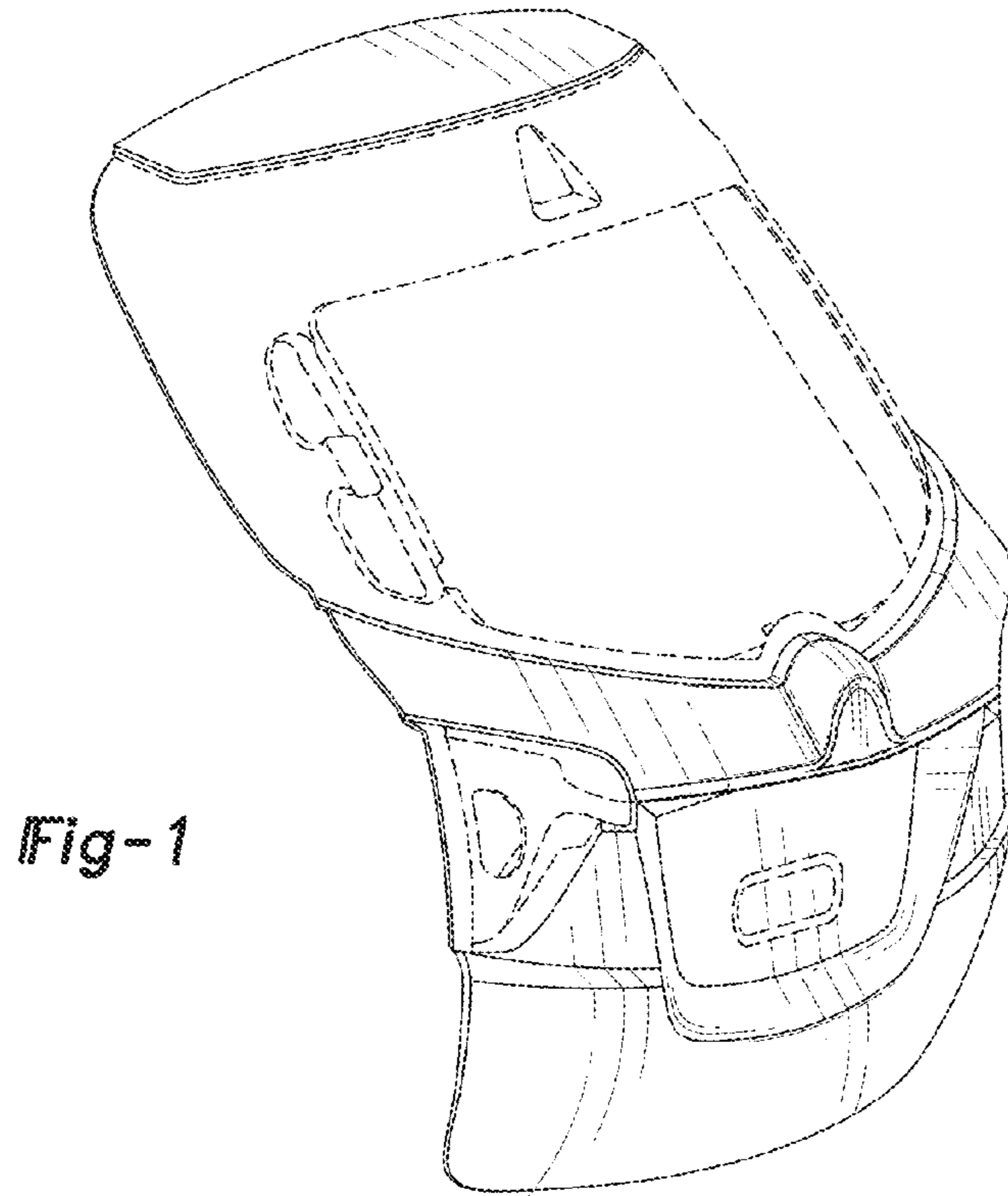
The ornamental design for a vehicle liftgate, as shown and described.

**DESCRIPTION**

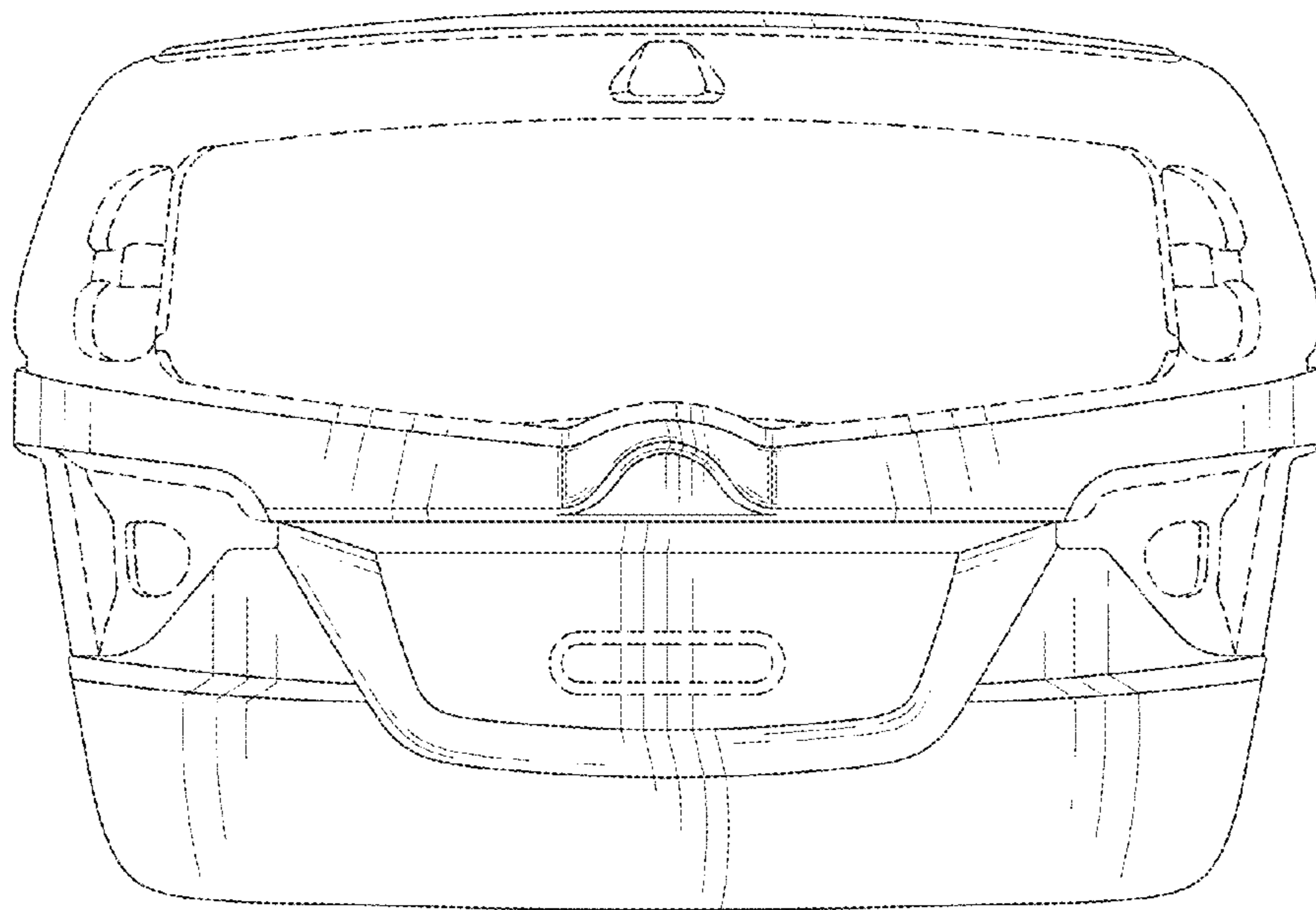
FIG. 1 is a perspective view of the vehicle liftgate; FIG. 2 is a front view thereof; FIG. 3 is a side elevation view thereof; and, FIG. 4 is a top plan view thereof. The broken lines shown in the figures are for the purpose of illustrating unclaimed portions of the vehicle liftgate, and form no part of the claimed design.

**1 Claim, 2 Drawing Sheets**

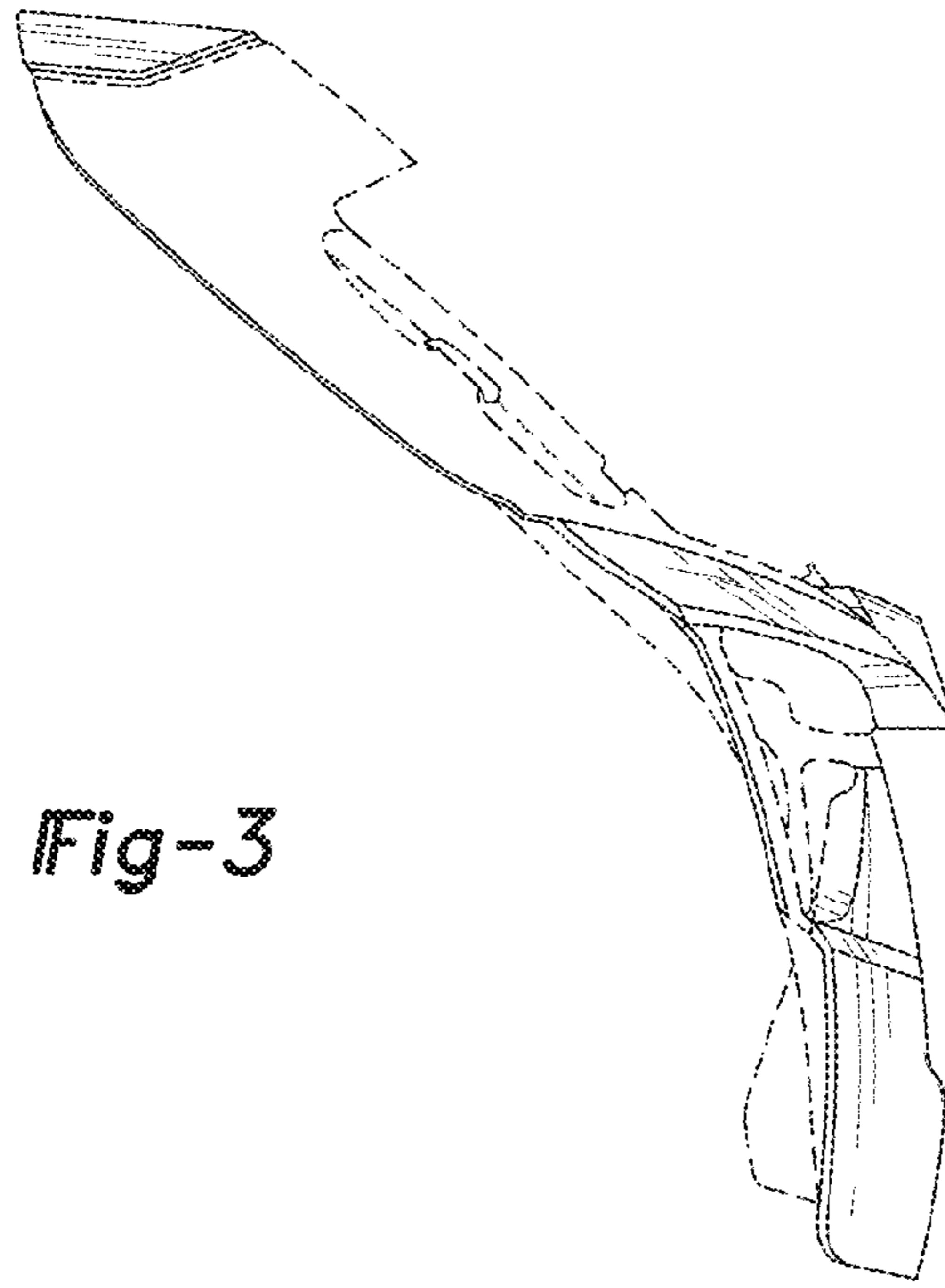




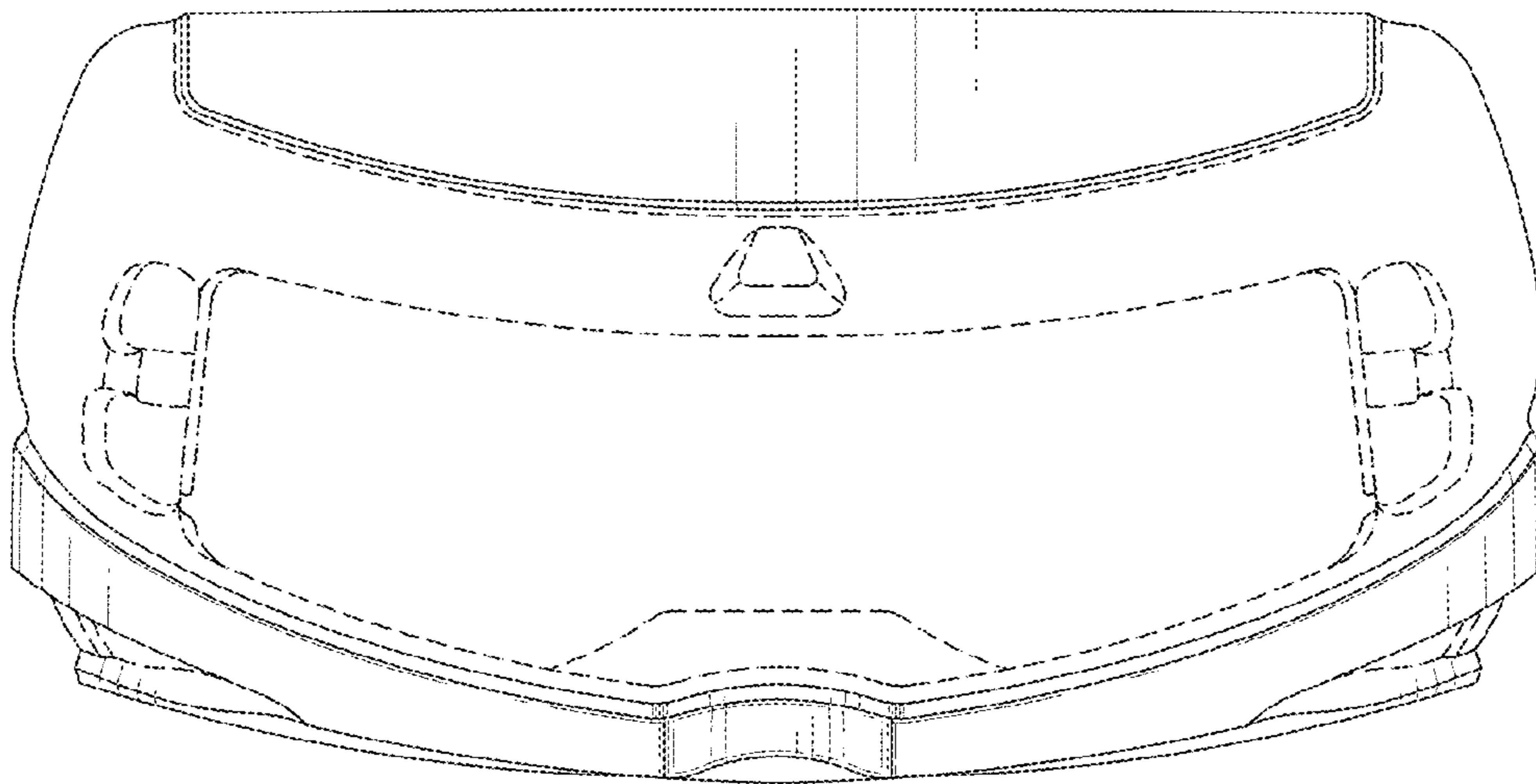
*Fig-1*



*Fig-2*



*Fig-3*



*Fig-4*