



US00D766794S

(12) **United States Design Patent** (10) **Patent No.:** **US D766,794 S**  
**Schneider** (45) **Date of Patent:** **\*\* Sep. 20, 2016**

(54) **REAR FENDER FOR A VEHICLE**  
(71) Applicant: **Bayerische Motoren Werke Aktiengesellschaft, Munich (DE)**  
(72) Inventor: **Alexander Schneider, Munich (DE)**  
(73) Assignee: **Bayerische Motoren Werke Aktiengesellschaft, Munich (DE)**  
(\*\*) Term: **14 Years**

D691,538 S \* 10/2013 Tada ..... D12/196  
D691,540 S \* 10/2013 Kwon ..... D12/196  
D691,936 S \* 10/2013 Kawasaki ..... D12/196  
D695,662 S \* 12/2013 Suga ..... D12/196  
D696,998 S \* 1/2014 Kwon ..... D12/196  
D697,464 S \* 1/2014 Tada ..... D12/196  
D720,266 S \* 12/2014 Laviolette ..... D12/184  
D742,281 S \* 11/2015 Ishii ..... D12/91  
D744,376 S \* 12/2015 Futschik ..... D12/91  
D751,464 S \* 3/2016 Frei ..... D12/91  
2015/0108792 A1\* 4/2015 Mildner ..... B60K 15/05  
296/198

(21) Appl. No.: **29/518,116**

(22) Filed: **Feb. 20, 2015**

(30) **Foreign Application Priority Data**

Aug. 21, 2014 (DE) ..... 40 2014 100 781

(51) **LOC (10) Cl.** ..... **12-16**

(52) **U.S. Cl.**  
USPC ..... **D12/196**

(58) **Field of Classification Search**  
USPC ..... D12/88, 90, 91, 92, 184, 196, 400;  
D21/424, 433, 434; 280/727, 770, 847,  
280/848, 849; 296/181.1, 181.2, 181.5  
CPC .... B62D 25/02; B62D 25/16; B62D 25/161;  
B62D 25/168; B62D 25/18; B62D 25/184  
See application file for complete search history.

(56) **References Cited**

**U.S. PATENT DOCUMENTS**

D658,558 S \* 5/2012 Hakamata ..... D12/196  
D660,758 S \* 5/2012 Hakamata ..... D12/196  
D660,760 S \* 5/2012 Matsumoto ..... D12/196  
D661,236 S \* 6/2012 Hakamata ..... D12/164  
D671,470 S \* 11/2012 Yamada ..... D12/196  
D671,873 S \* 12/2012 Yamada ..... D12/196  
D681,528 S \* 5/2013 Yamada ..... D12/196  
D682,174 S \* 5/2013 Tada ..... D12/196  
D691,536 S \* 10/2013 Tada ..... D12/164  
D691,537 S \* 10/2013 Tada ..... D12/196

**FOREIGN PATENT DOCUMENTS**

WO DM/068829 5/2007

\* cited by examiner

*Primary Examiner* — Rosemary K Tarcza

*Assistant Examiner* — Yolanda Robinson

(74) *Attorney, Agent, or Firm* — Crowell & Moring LLP

(57) **CLAIM**

The ornamental design for a rear fender for a vehicle, as shown and described.

**DESCRIPTION**

This application contains subject matter related to the following co-pending U.S. design patent application: Application Ser. No. 29/518,111, filed herewith and entitled "Vehicle, Toy, and/or Replicas Thereof".

FIG. 1 is a front view of a rear fender for a vehicle according to the design;

FIG. 2 is a left perspective view thereof;

FIG. 3 is a right perspective view thereof;

FIG. 4 is a left side view thereof;

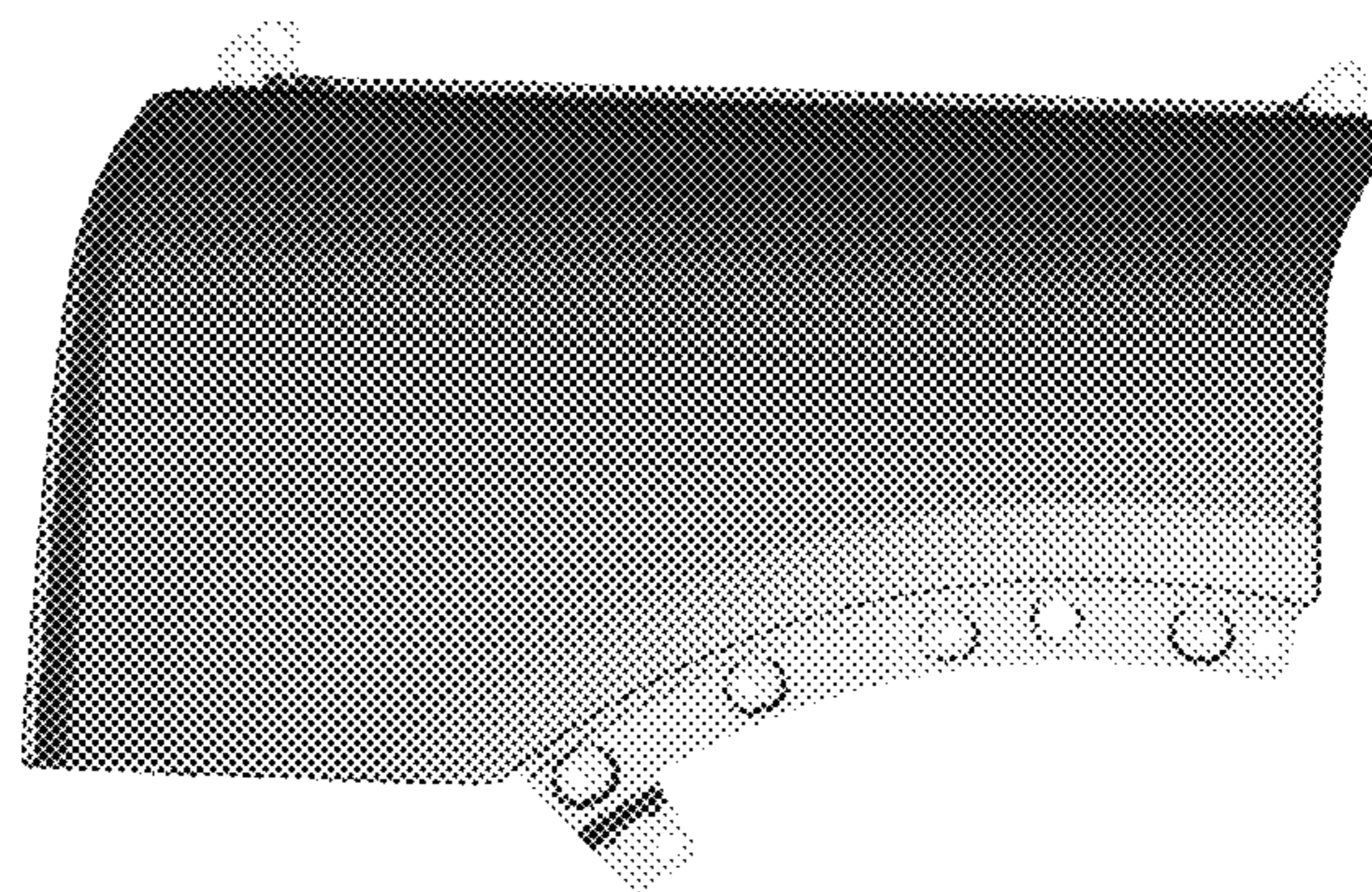
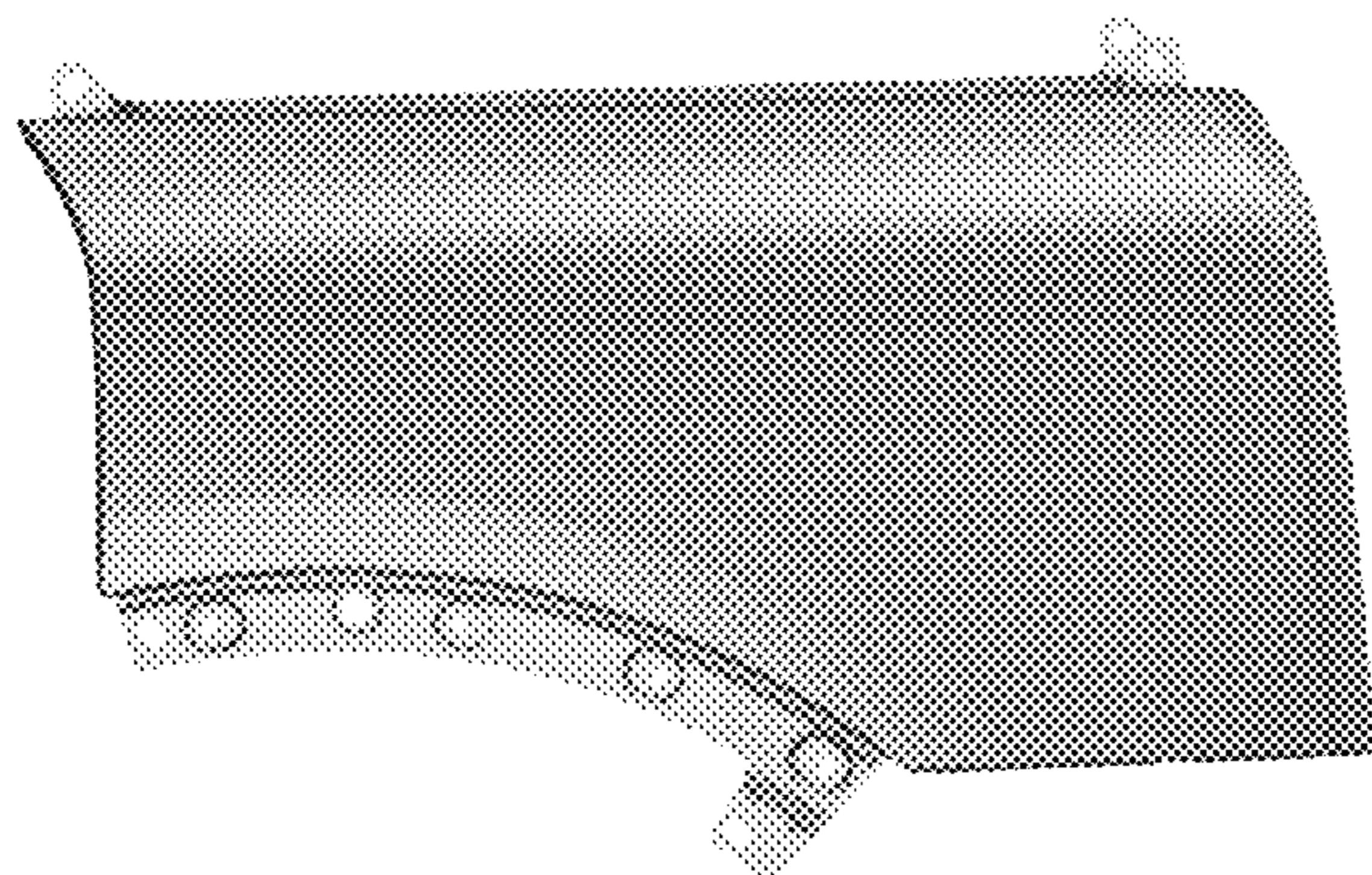
FIG. 5 is a right side view thereof;

FIG. 6 is a top view thereof;

FIG. 7 is a bottom view thereof; and,

FIG. 8 is a rear view thereof.

**1 Claim, 8 Drawing Sheets**



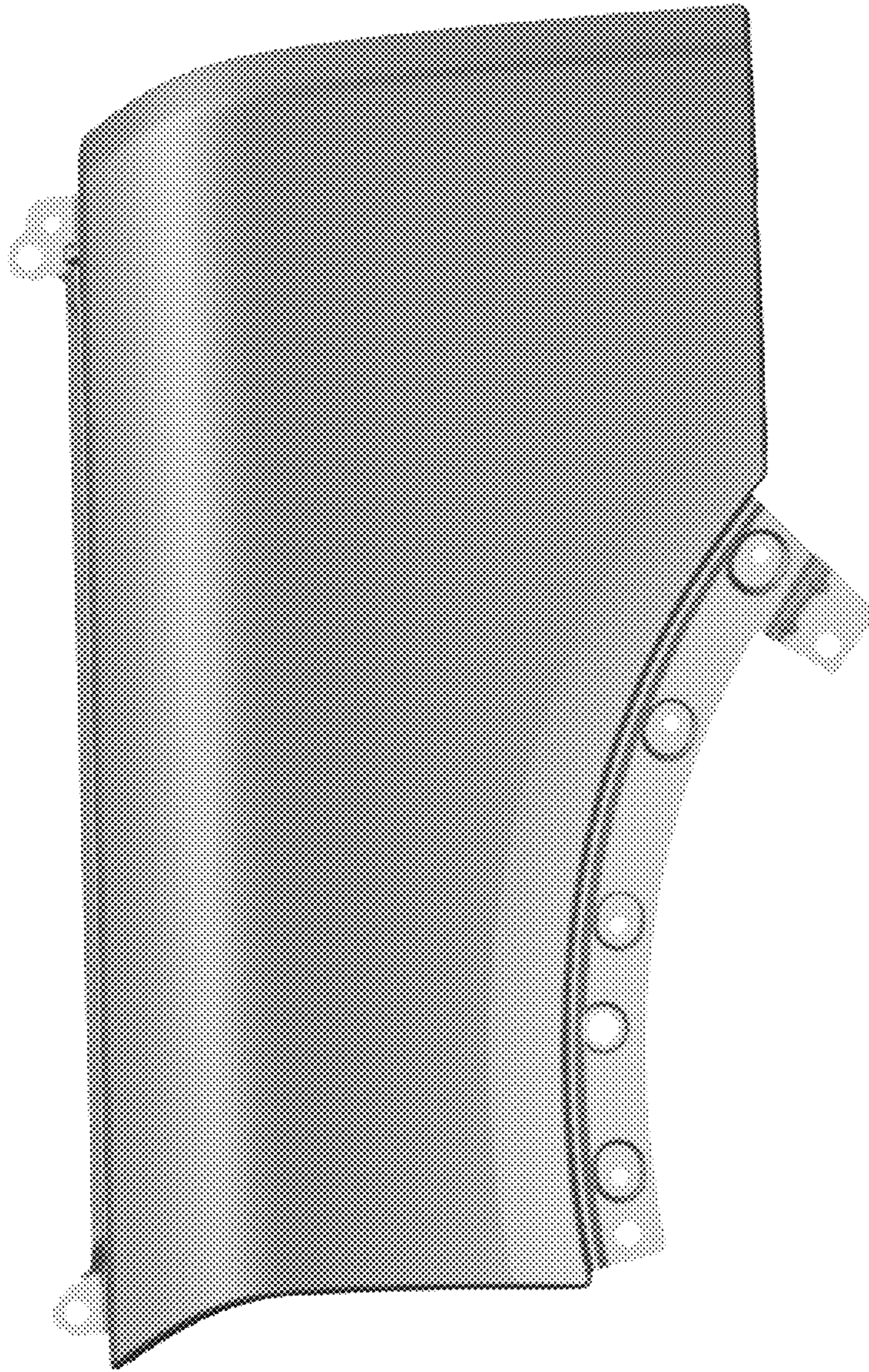


Fig. 1

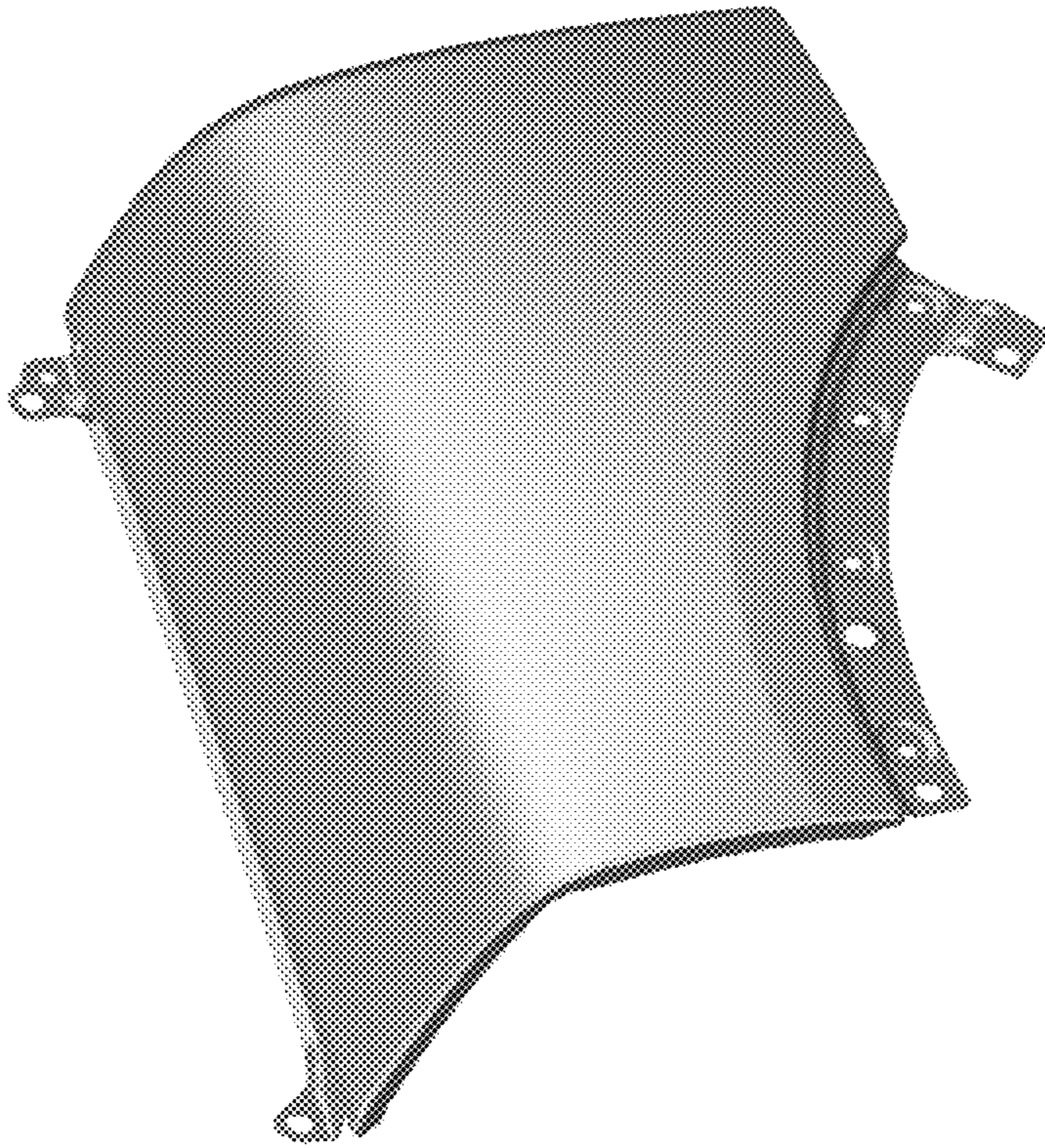


Fig. 2

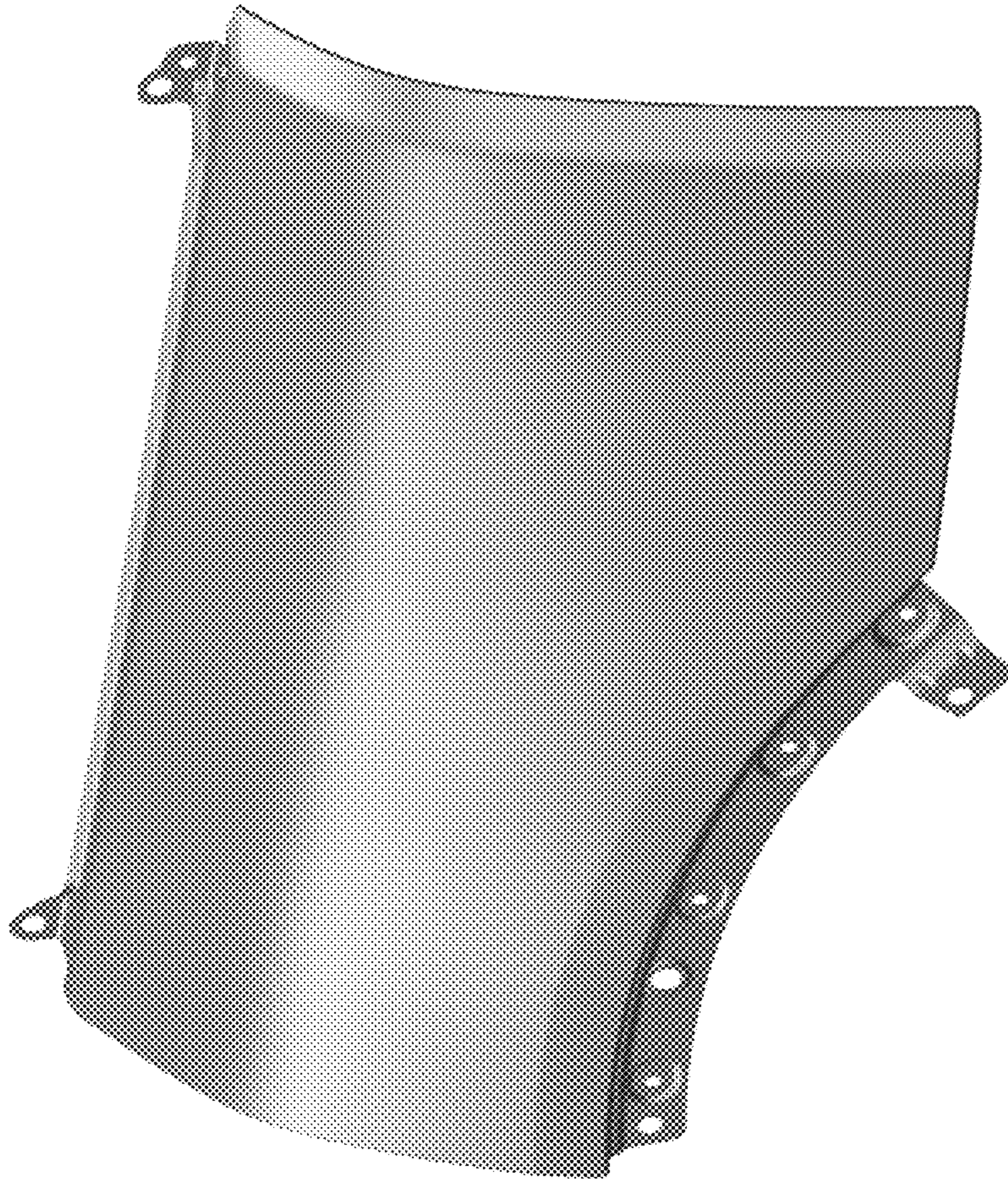


Fig. 3

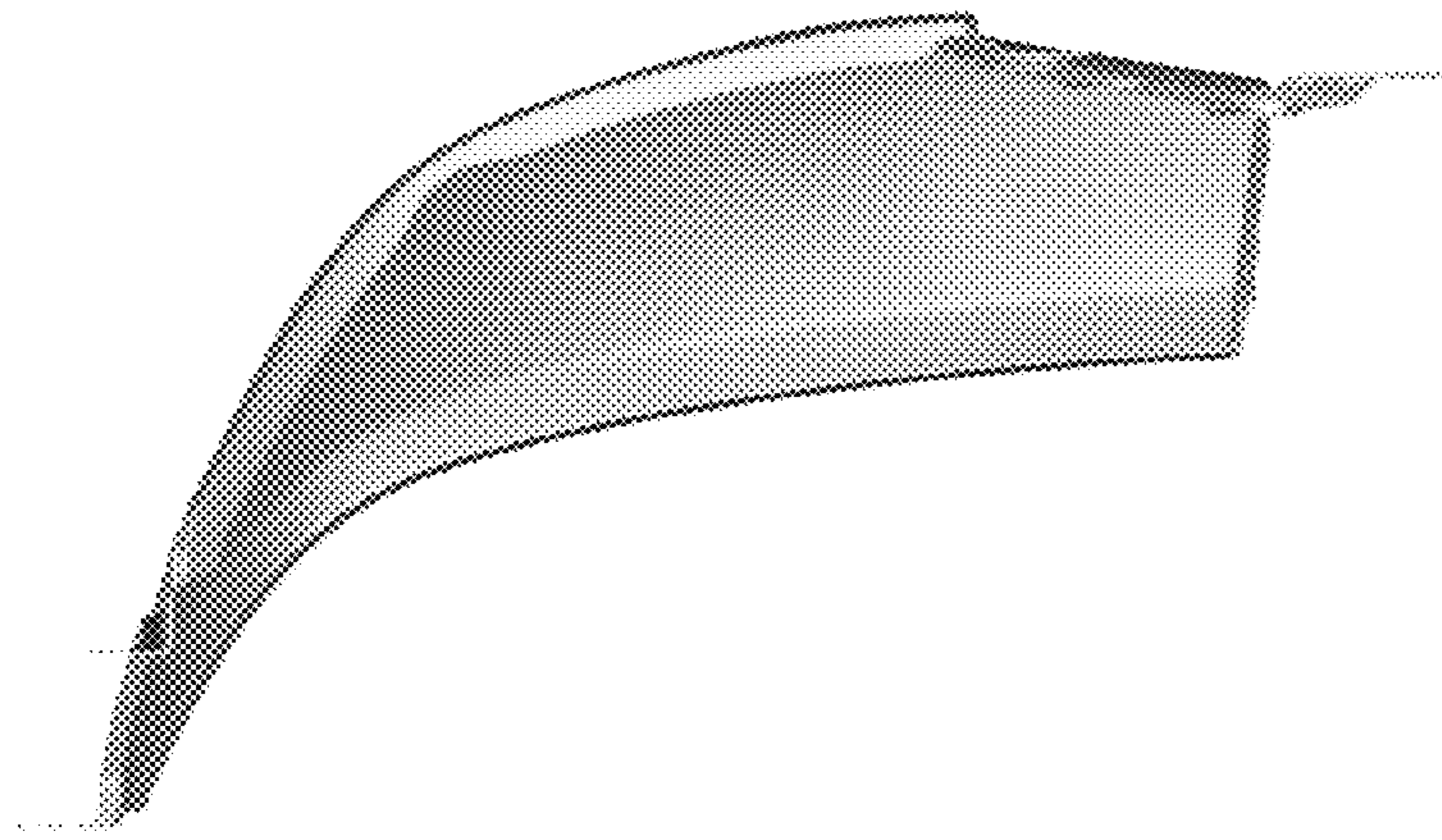


Fig. 4

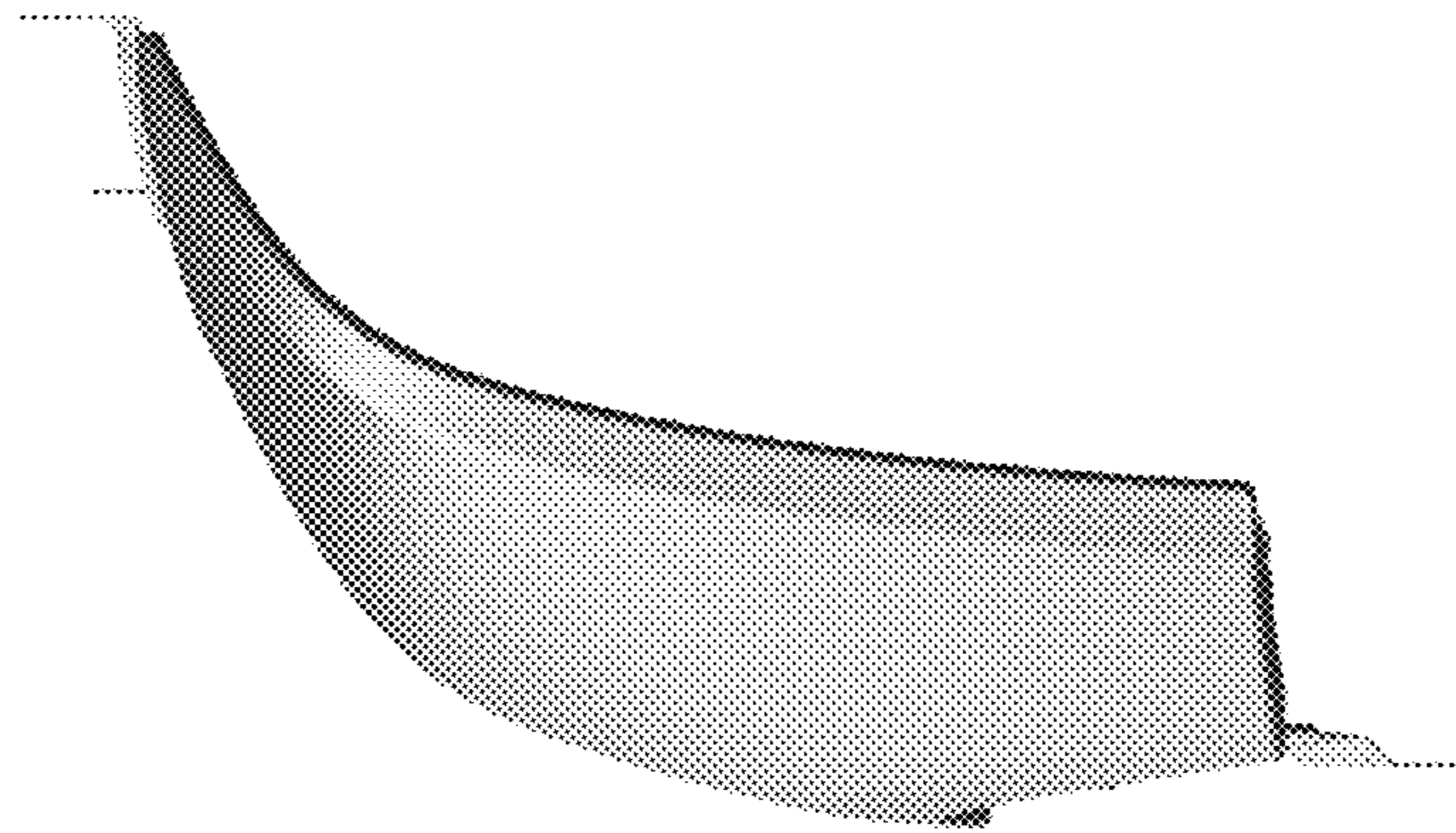


Fig. 5

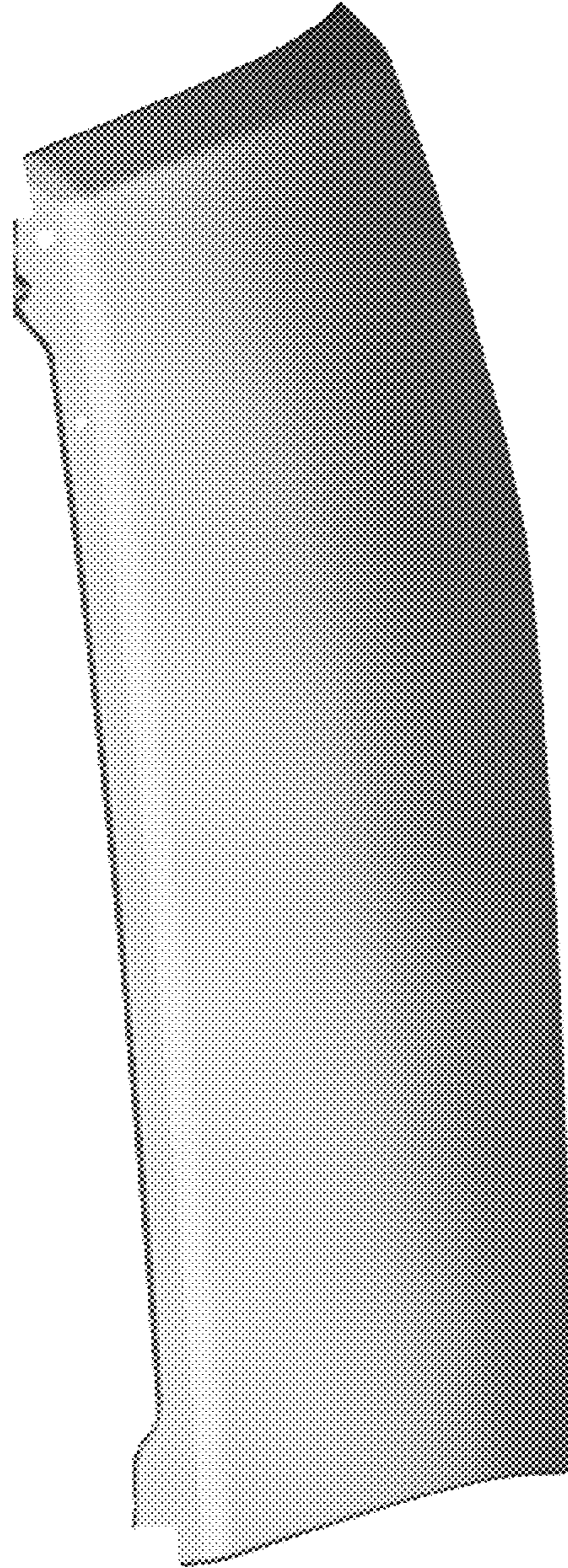


Fig. 6

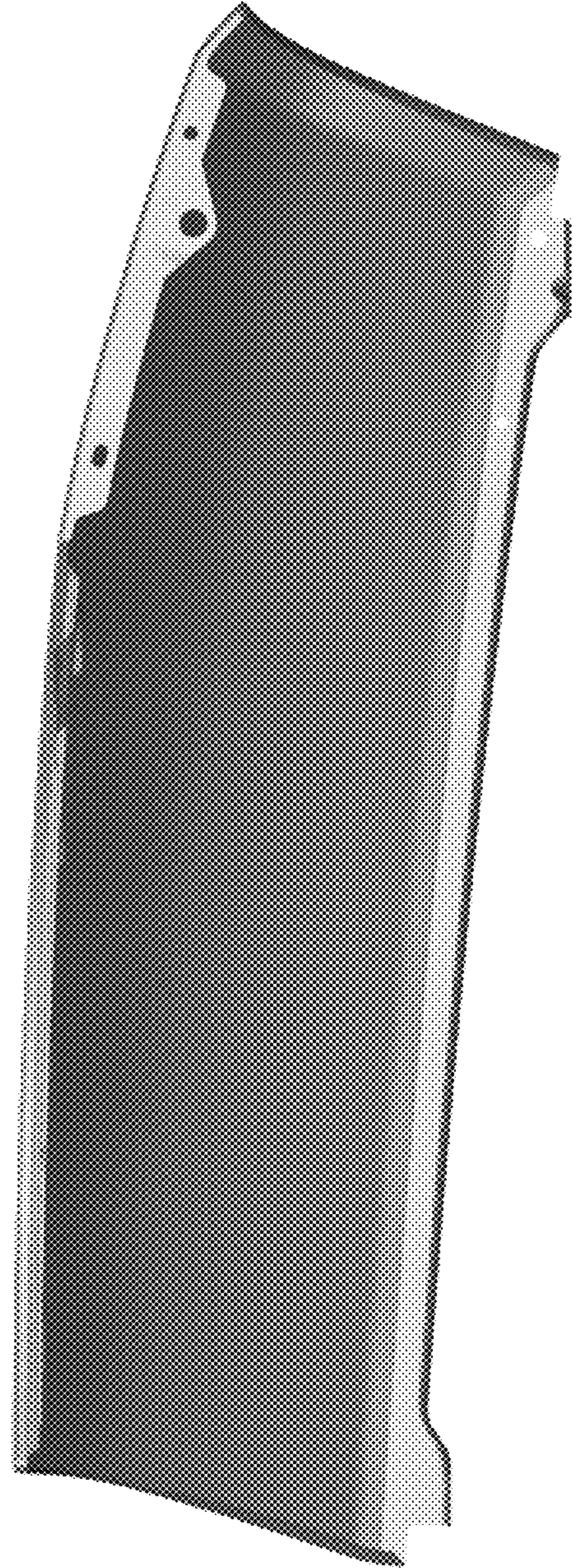


Fig. 7



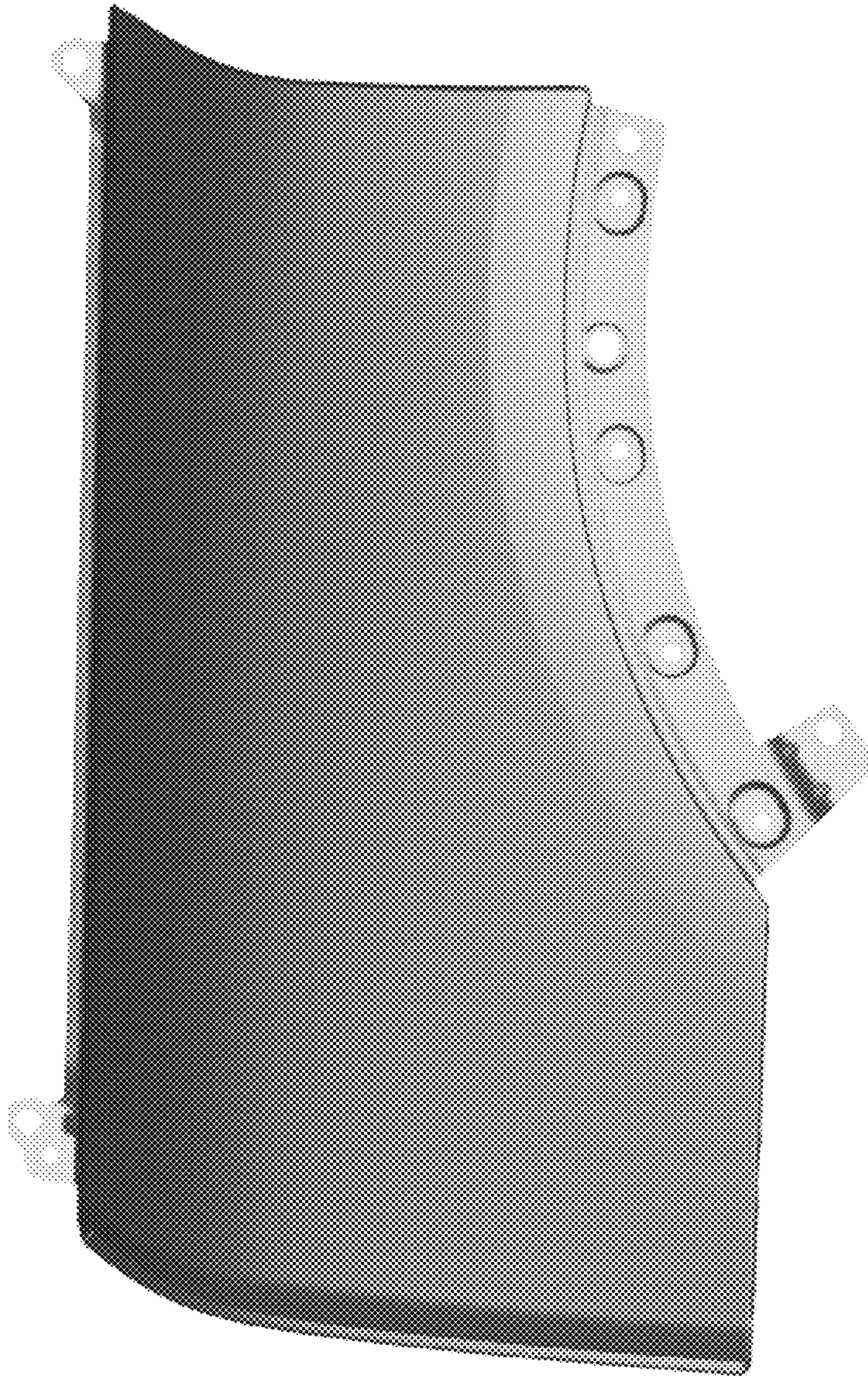


Fig. 8