



US00D766791S

(12) **United States Design Patent**
Buffery

(10) **Patent No.:** **US D766,791 S**

(45) **Date of Patent:** **** Sep. 20, 2016**

(54) **DOOR CASING**

(71) Applicant: **Jaguar Land Rover Limited**, Whitley,
Coventry (GB)

(72) Inventor: **Martin Buffery**, Coventry (GB)

(73) Assignee: **Jaguar Land Rover Limited**, Whitley,
Coventry (GB)

(**) Term: **15 Years**

(21) Appl. No.: **29/527,773**

(22) Filed: **May 21, 2015**

(30) **Foreign Application Priority Data**

Feb. 20, 2015 (EM) 002638015-0003

(51) **LOC (10) Cl.** **12-08**

(52) **U.S. Cl.**
USPC **D12/195**

(58) **Field of Classification Search**
USPC D12/195, 193, 414, 190, 196; D15/17,
D15/28; D10/46, 98, 102-103; D8/302-303
CPC B60J 5/04; B60N 2/466; B60N 2/4693;
B60R 13/0423; B60R 13/02
See application file for complete search history.

(56) **References Cited**

U.S. PATENT DOCUMENTS

D338,865 S * 8/1993 Lim D12/195
D415,461 S * 10/1999 Sacco D12/195
D433,978 S * 11/2000 Tsay D12/195
D435,003 S * 12/2000 Tsay D12/195
D489,304 S * 5/2004 Schowalter D12/195
D626,904 S * 11/2010 Rosenbohm D12/195

D675,967 S * 2/2013 Takizawa D12/195
D719,884 S * 12/2014 Peltola D12/195
D722,933 S * 2/2015 Ishikawa D12/195
D743,312 S * 11/2015 Iwauchi D12/195
D743,863 S * 11/2015 Finney D12/195

* cited by examiner

Primary Examiner — Katrina A Betton

(74) *Attorney, Agent, or Firm* — Wood, Herron & Evans,
LLP

(57) **CLAIM**

The ornamental design for a door casing, as shown and
described.

DESCRIPTION

FIG. 1 is a front three-quarter view of the inwardly directed
surface of a door casing for a vehicle according to the
present invention.

FIG. 2 is a rear three-quarter view of the outwardly directed
surface of the door casing shown in FIG. 1

FIG. 3 is a front view of the door casing shown in FIG. 1.

FIG. 4 is a rear view thereof.

FIG. 5 is a right side view thereof.

FIG. 6 is a left side view thereof.

FIG. 7 is a top view thereof.

FIG. 8 is front three-quarter view of a second embodiment
of the inwardly directed surface of a door casing according
to the present invention.

FIG. 9 is a rear three-quarter view of the outwardly directed
surface of the door casing shown in FIG. 8.

FIG. 10 is a front view thereof.

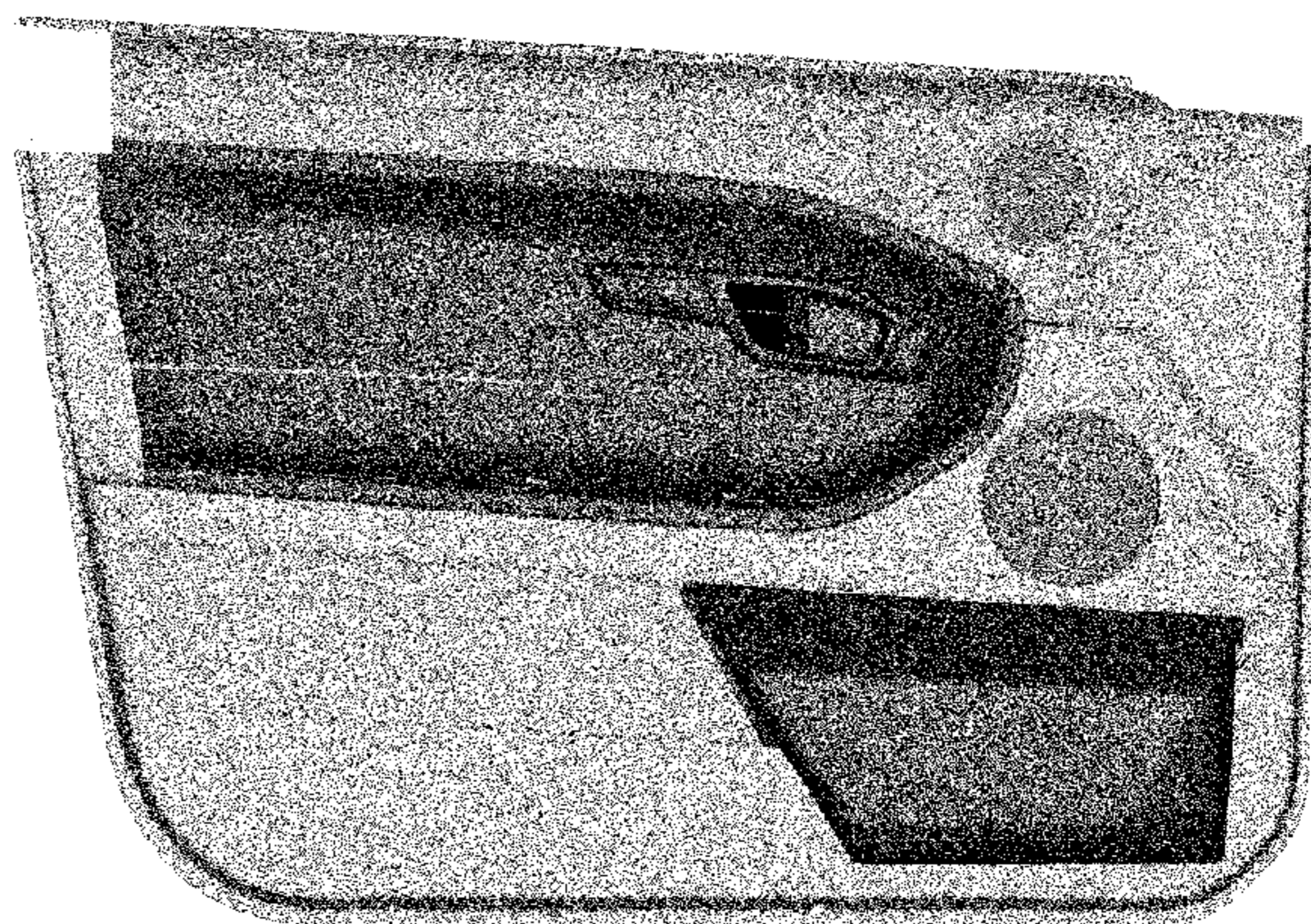
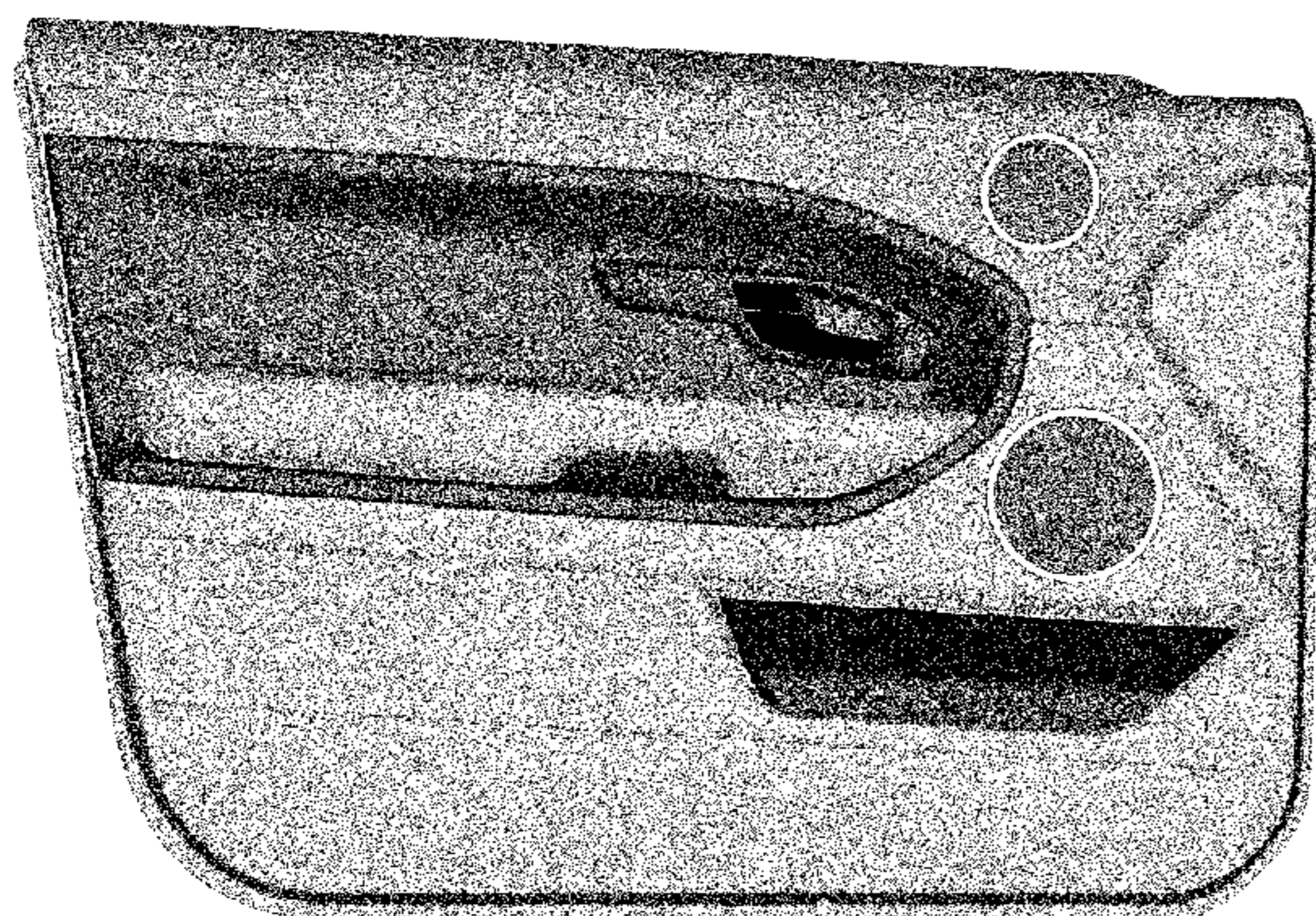
FIG. 11 is a rear view thereof.

FIG. 12 is a left side view thereof.

FIG. 13 is a right side view thereof; and,

FIG. 14 is a top view thereof.

1 Claim, 12 Drawing Sheets



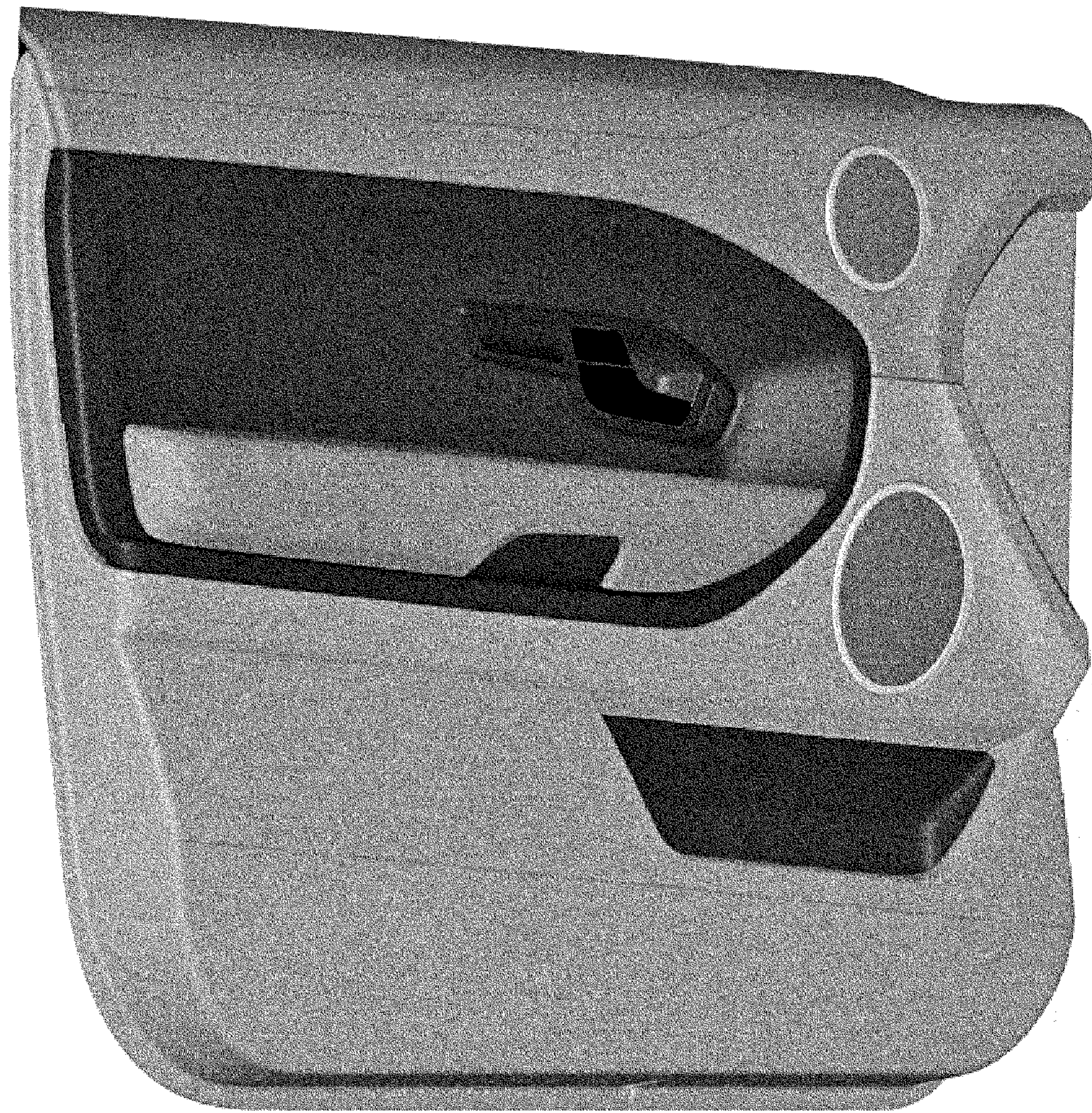


FIG. 1

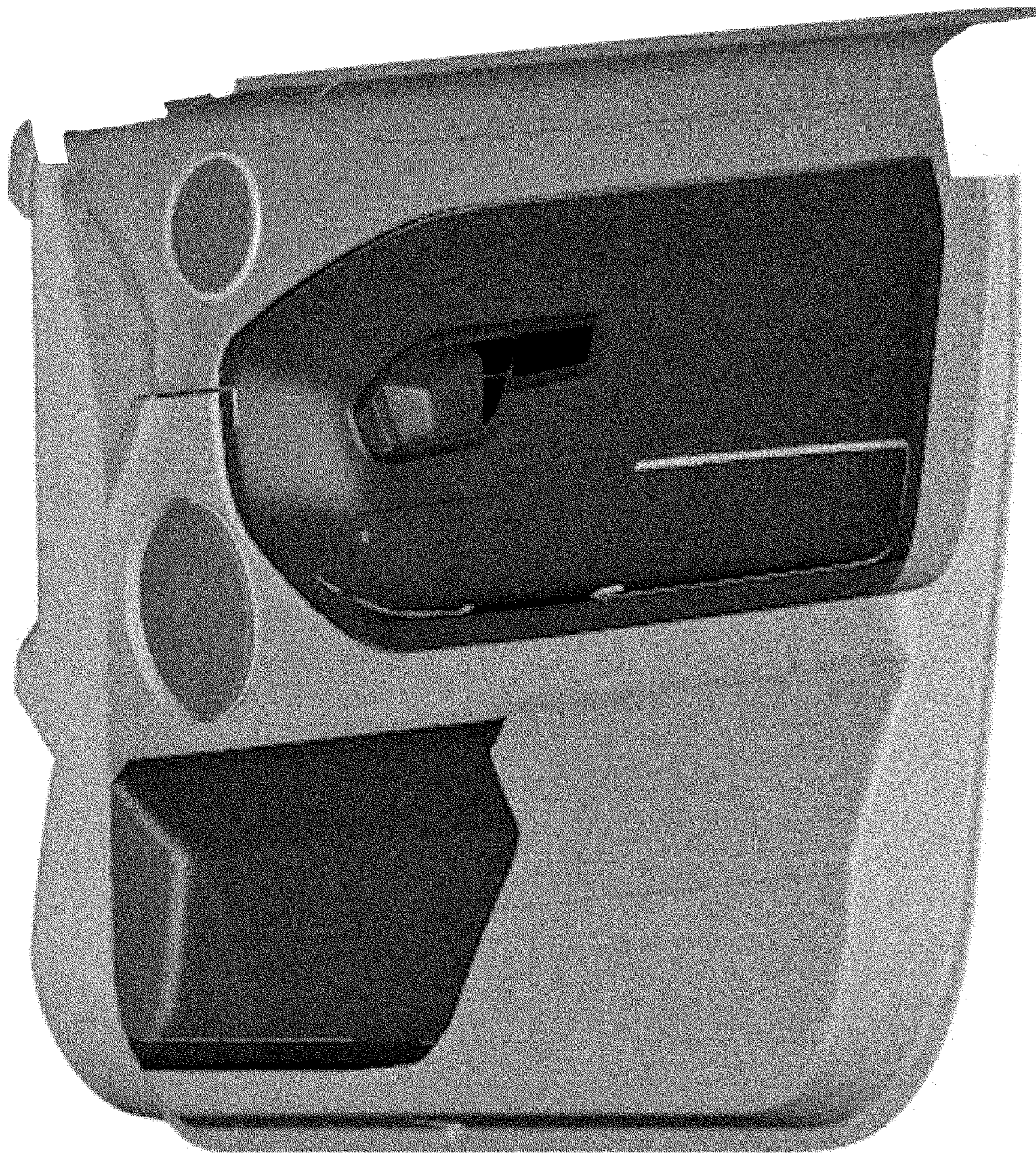


FIG. 2



FIG. 3



FIG. 4

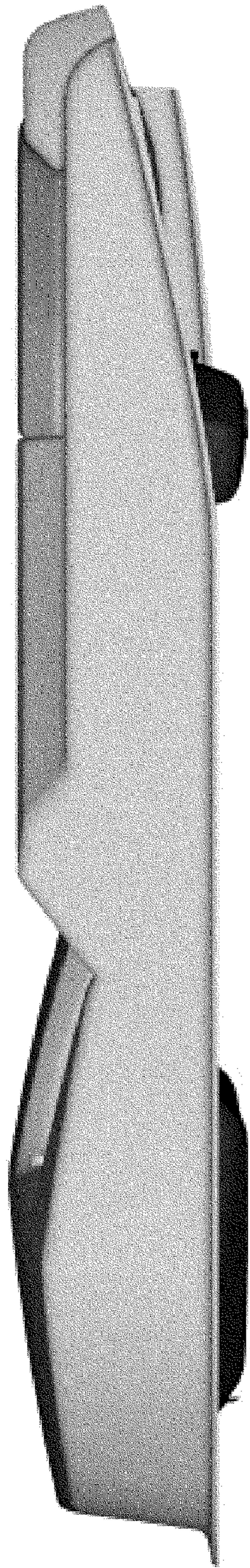


FIG. 5

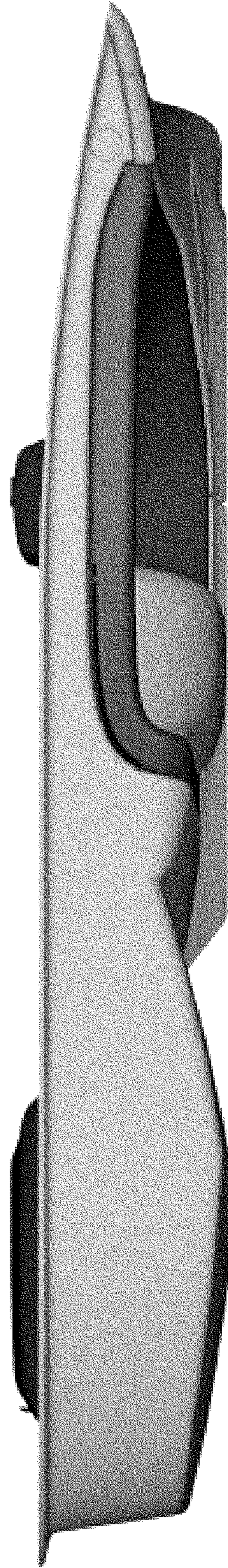


FIG. 6

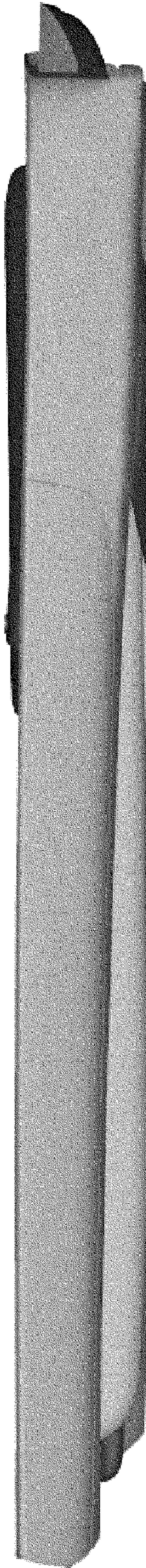


FIG. 7

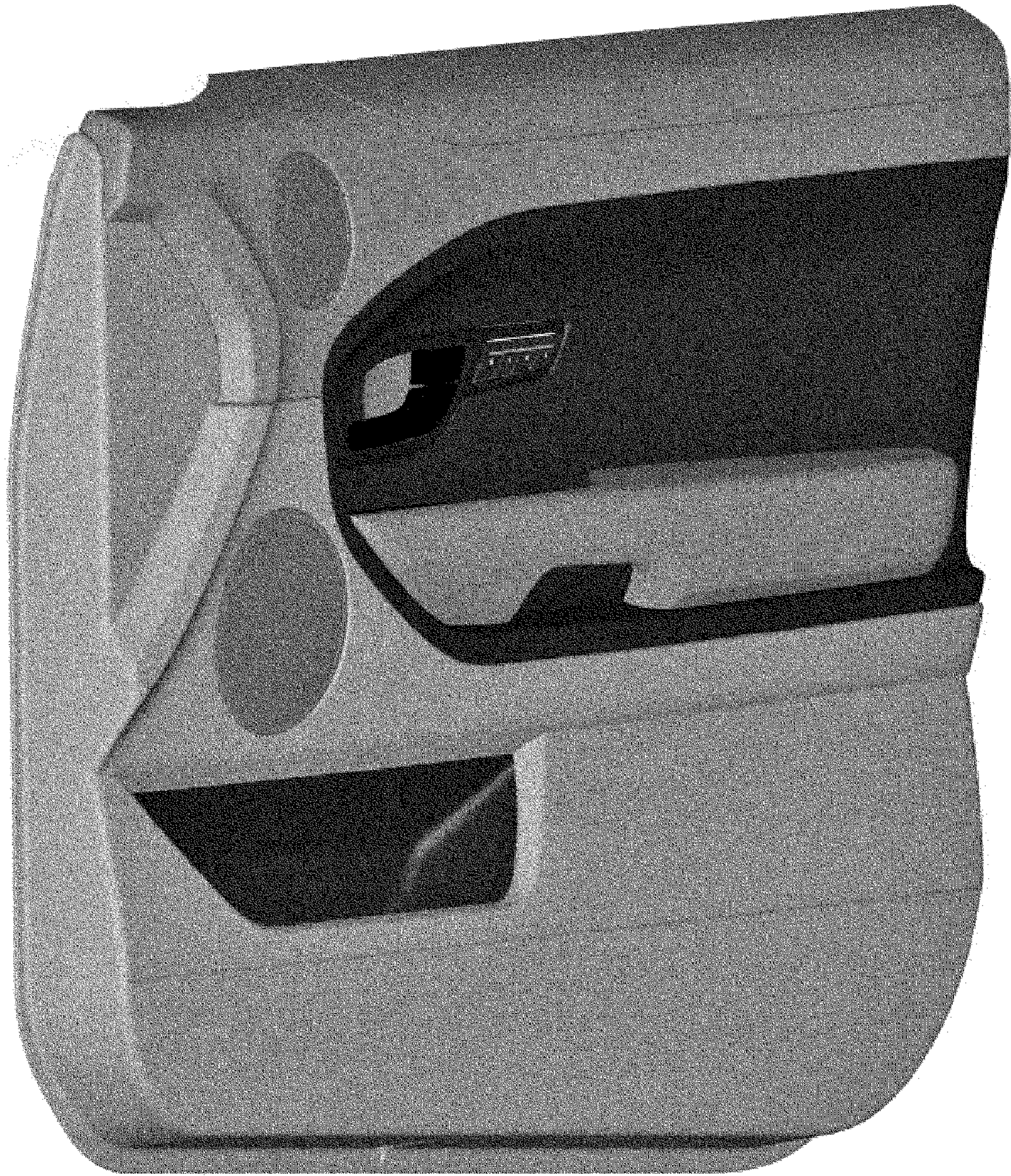


FIG. 8

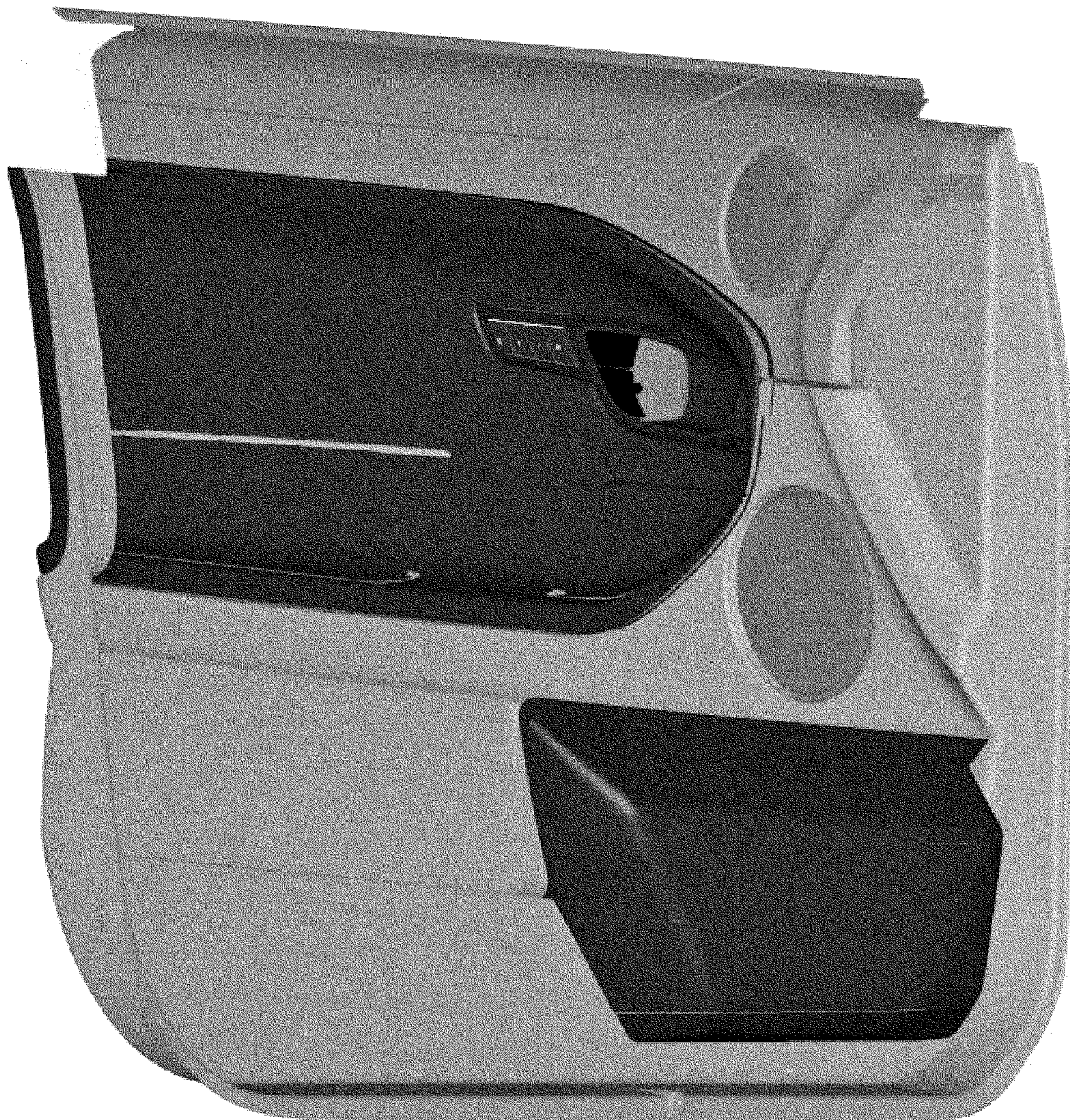


FIG. 9



FIG. 10



FIG. 11

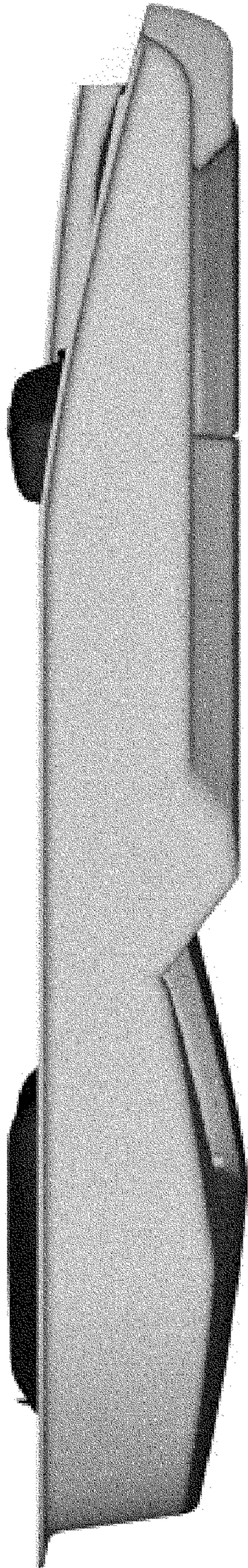


FIG. 12

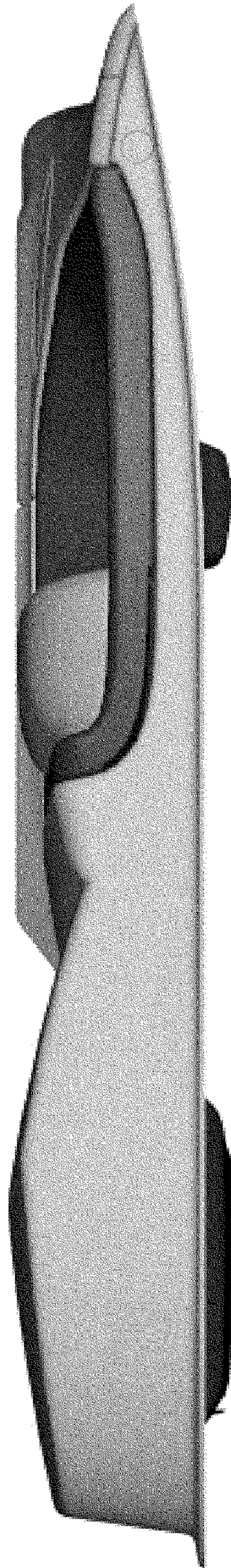


FIG. 13

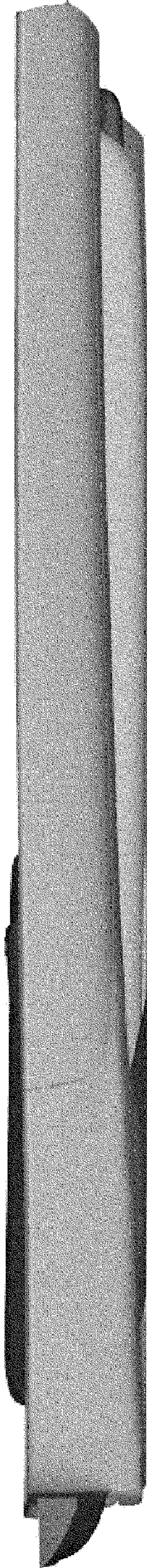


FIG. 14