



US00D766789S

(12) **United States Design Patent**
Kapitonov

(10) **Patent No.:** **US D766,789 S**

(45) **Date of Patent:** **** Sep. 20, 2016**

- (54) **VEHICLE REAR LOWER BUMPER**
- (71) Applicant: **GM GLOBAL TECHNOLOGY OPERATIONS LLC**, Detroit, MI (US)
- (72) Inventor: **Vladimir Kapitonov**, Farmington, MI (US)
- (73) Assignee: **GM Global Technology Operations LLC**, Detroit, MI (US)
- (**) Term: **15 Years**
- (21) Appl. No.: **29/544,898**
- (22) Filed: **Nov. 6, 2015**

- D605,083 S 12/2009 Manoogian, II et al.
- D605,977 S 12/2009 Zipfel et al.
- D605,978 S 12/2009 Wolff et al.
- D608,249 S 1/2010 Peters
- D608,690 S 1/2010 Folden et al.
- D608,691 S 1/2010 Zak, Jr. et al.
- D609,608 S 2/2010 Boniface et al.
- D611,387 S 3/2010 Thompson et al.
- D611,879 S 3/2010 Kim et al.
- D612,297 S 3/2010 Peters et al.
- D613,645 S 4/2010 Song et al.
- D615,458 S 5/2010 Thompson et al.
- D618,595 S 6/2010 Ware et al.
- D623,090 S 9/2010 Cox et al.
- D627,262 S 11/2010 Ikeda et al.
- D635,488 S 4/2011 Phipps
- D644,147 S 8/2011 Suh et al.
- D644,567 S 9/2011 Kozub
- D657,718 S 4/2012 Zipfel et al.
- D659,052 S 5/2012 Ware et al.
- D659,053 S 5/2012 Ware et al.

Related U.S. Application Data

- (63) Continuation of application No. 29/536,994, filed on Aug. 21, 2015.
- (51) **LOC (10) Cl.** **12-16**
- (52) **U.S. Cl.**
USPC **D12/169**
- (58) **Field of Classification Search**
USPC D12/169, 163, 196, 171, 90-92, 216;
293/102, 113, 115, 117, 120;
296/180.1, 180.2
CPC .. B60R 19/52; B60R 2019/25; B60R 25/084
See application file for complete search history.

(Continued)

Primary Examiner — Melody N Brown

(74) *Attorney, Agent, or Firm* — Reising Ethington P.C.

(57) **CLAIM**

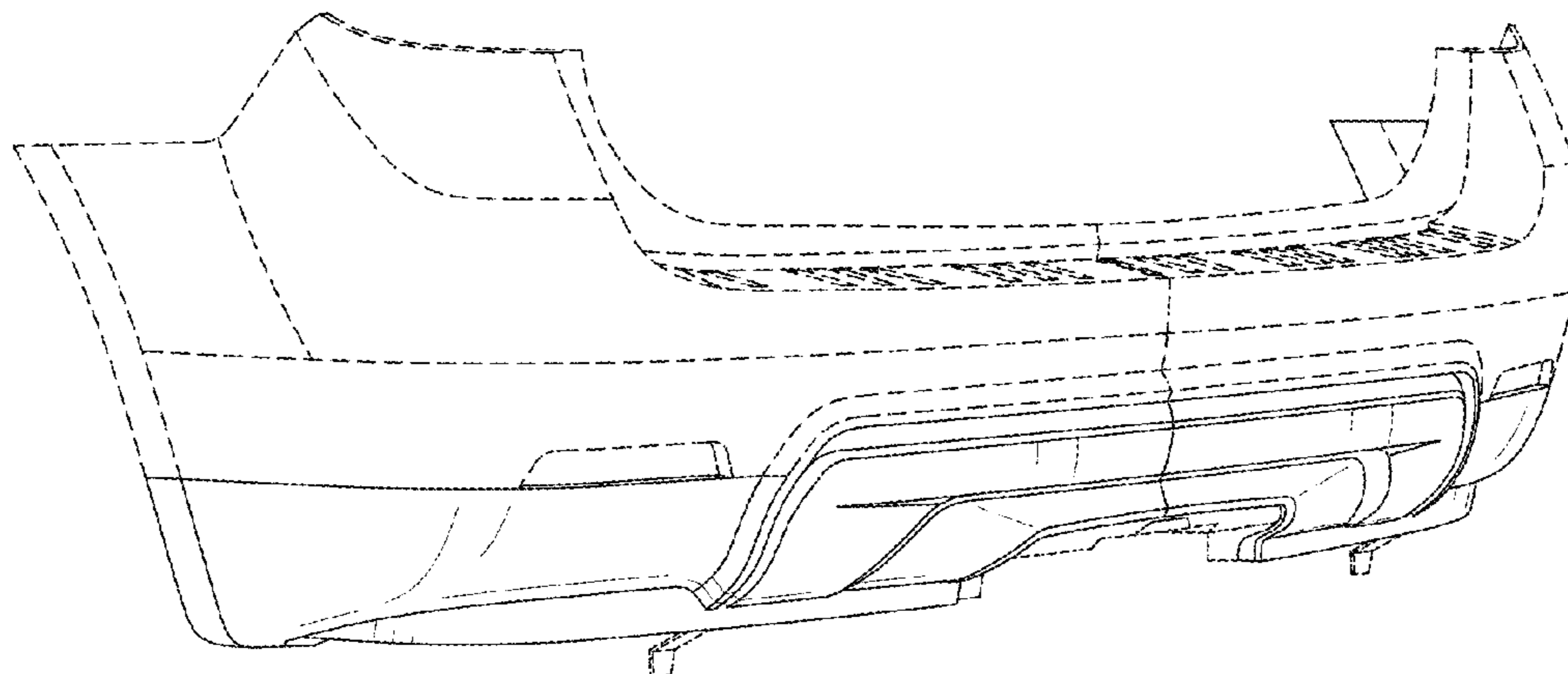
The ornamental design for a vehicle rear lower bumper, as shown and described.

DESCRIPTION

FIG. 1 is a perspective view of the vehicle rear lower bumper;
 FIG. 2 is a top plan view thereof;
 FIG. 3 is a left side elevation view thereof; and,
 FIG. 4 is a front view thereof.
 The right side elevation view of the vehicle rear lower bumper is omitted because the right side elevation view is identical to the left side elevation view. And the broken lines shown in the drawings depict portions that form no part of the claimed design.

1 Claim, 2 Drawing Sheets

- (56) **References Cited**
U.S. PATENT DOCUMENTS
- D570,742 S 6/2008 Takagi et al.
- D592,105 S 5/2009 Dean et al.
- D597,447 S 8/2009 Folden
- D600,595 S 9/2009 Nakamura et al.
- D601,925 S 10/2009 O'Donnell
- D603,755 S 11/2009 Peters
- D604,203 S 11/2009 O'Donnell
- D605,082 S 12/2009 Munson



(56)

References Cited

U.S. PATENT DOCUMENTS

D668,182 S	10/2012	Franco	D718,189 S	11/2014	Krieg et al.
D668,183 S	10/2012	Smart	D718,683 S	12/2014	Thole et al.
D678,820 S	3/2013	Son et al.	D722,282 S	2/2015	Loeb
D678,821 S	3/2013	Ikeda et al.	D722,533 S	2/2015	Thole et al.
D680,909 S	4/2013	Munson et al.	D722,534 S	2/2015	Munson et al.
D680,910 S	4/2013	David	D724,510 S	3/2015	McMahan et al.
D684,899 S	6/2013	Baker	D725,001 S	3/2015	McMahan et al.
D686,536 S	7/2013	McCabe et al.	D726,591 S	4/2015	Jacob
D692,798 S	11/2013	Thurber	D730,776 S	6/2015	Smart
D692,799 S	11/2013	Smith et al.	D730,783 S	6/2015	Henriques et al.
D696,157 S	12/2013	Loeb	D732,427 S	6/2015	Loeb
D699,629 S	2/2014	Ikeda et al.	D732,429 S	6/2015	Loeb
D700,871 S	3/2014	O'Donnell et al.	D732,430 S	6/2015	Loeb
D702,160 S *	4/2014	Miyazawa D12/169	D732,431 S	6/2015	Loeb
D703,103 S	4/2014	Lee	D732,432 S	6/2015	Aengenheyster
D704,103 S	5/2014	Mack et al.	D732,433 S	6/2015	Aengenheyster
D705,132 S	5/2014	Ware et al.	D732,435 S	6/2015	Mackay
D705,699 S	5/2014	Ware et al.	D733,002 S	6/2015	Loeb
D708,994 S *	7/2014	Thurber D12/169	D735,611 S	8/2015	Aengenheyster
D713,298 S	9/2014	Dyson	D735,627 S	8/2015	Smith
D713,764 S	9/2014	Ferlazzo	D736,125 S *	8/2015	Kamiura D12/169
D716,696 S	11/2014	Thole et al.	D736,451 S	8/2015	Smith
D716,706 S	11/2014	Thole et al.	D738,272 S *	9/2015	Kamiura D12/169
D716,709 S	11/2014	Thole et al.	D739,306 S	9/2015	McMahan et al.
D717,696 S	11/2014	Thole et al.	D739,317 S	9/2015	McMahan et al.
			D746,188 S *	12/2015	Nakagawa D12/169
			D753,032 S *	4/2016	Smith D12/169
			D753,035 S *	4/2016	Boniface D12/169

* cited by examiner

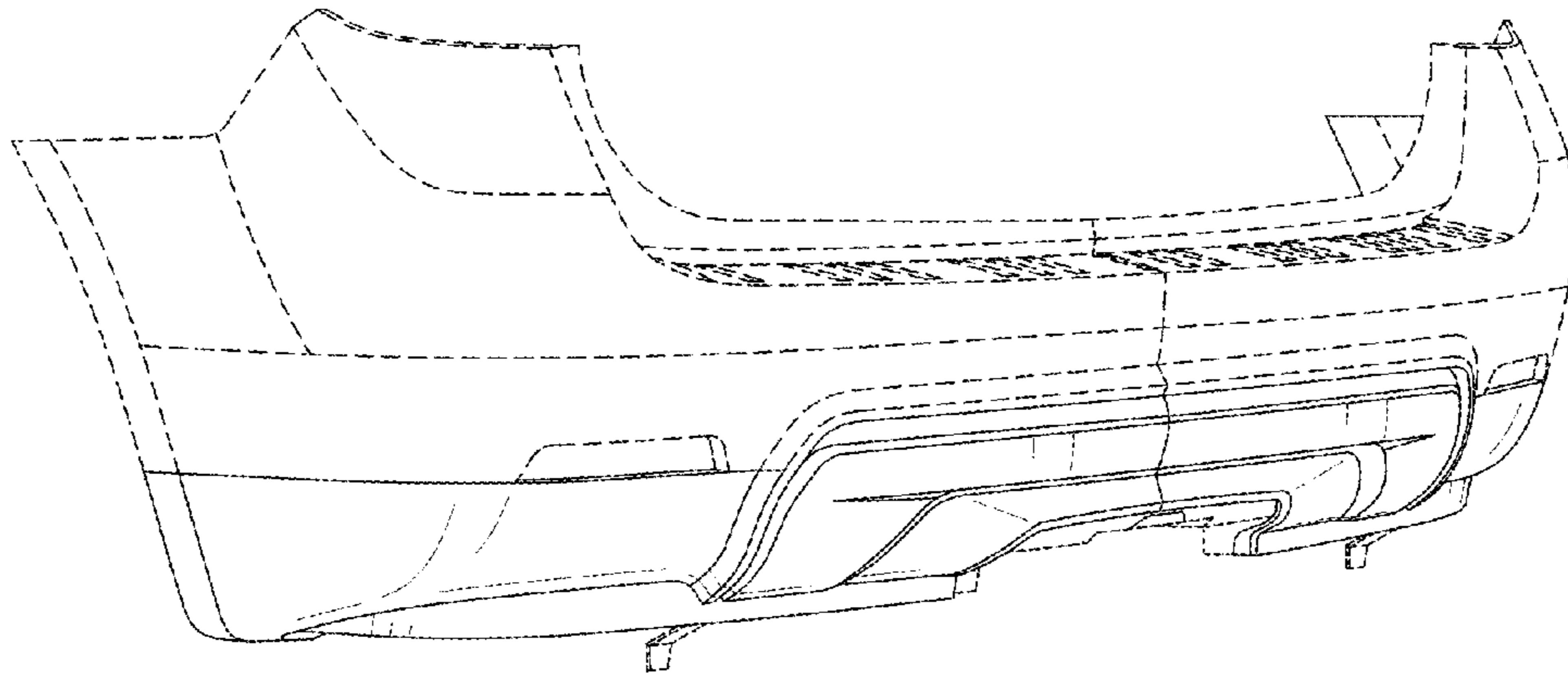


Fig. 1

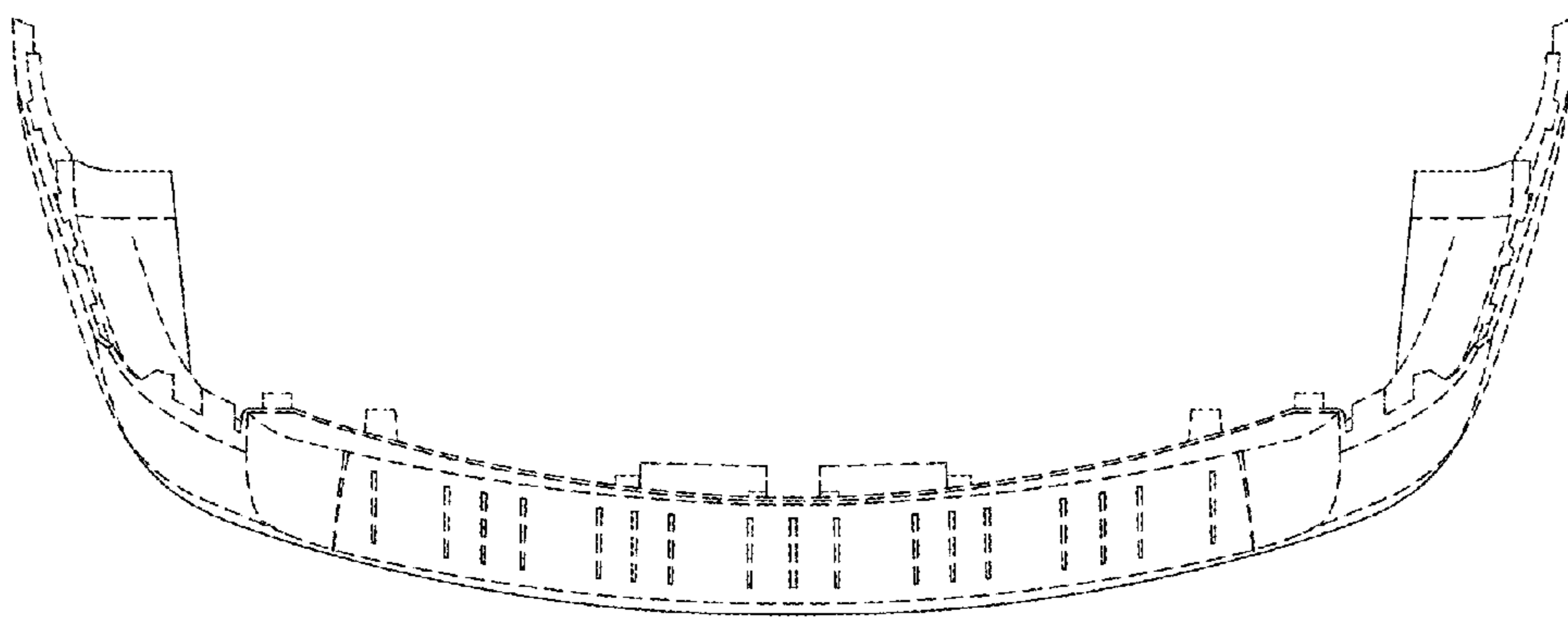


Fig. 2

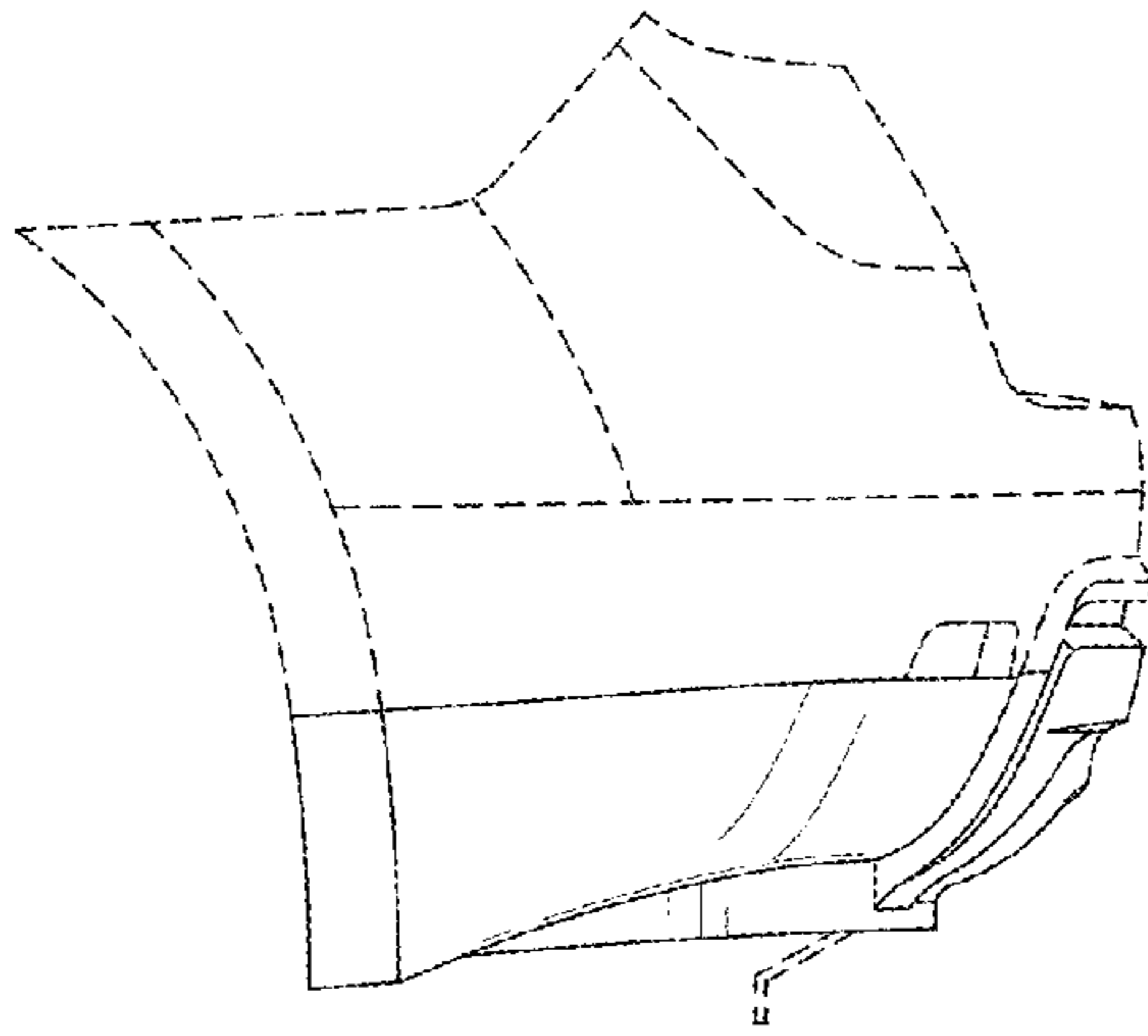


Fig. 3

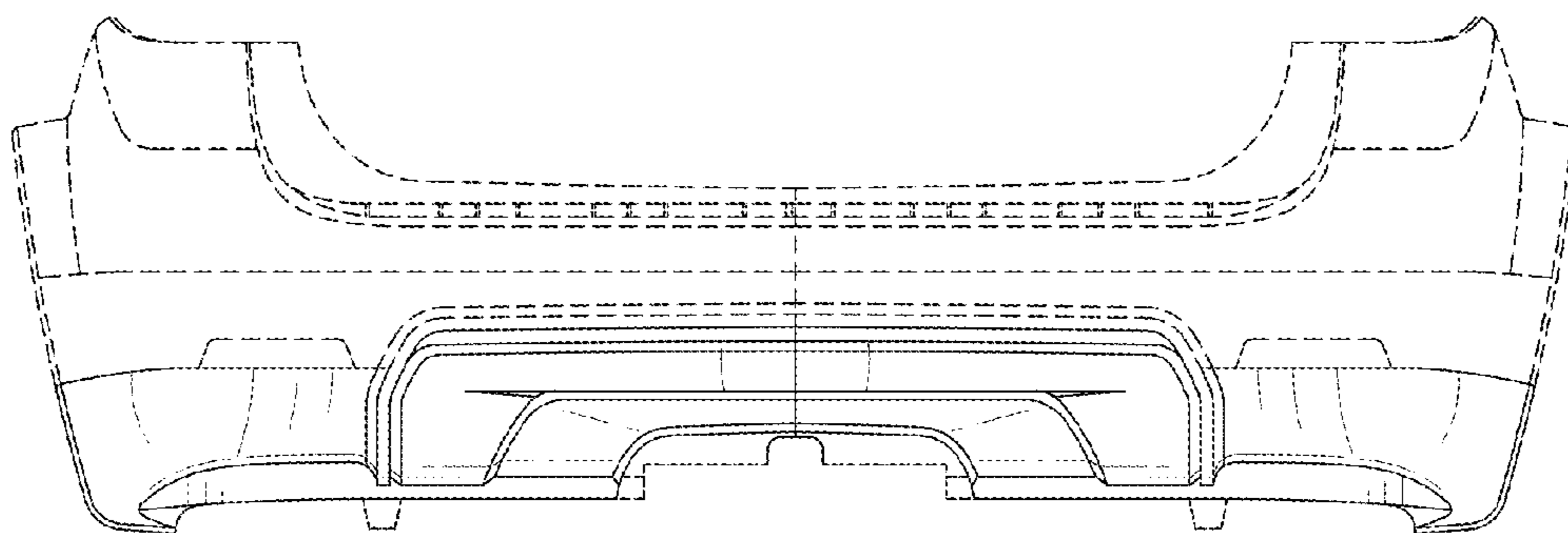


Fig. 4