



US00D766782S

(12) **United States Design Patent** (10) **Patent No.:** **US D766,782 S**  
**Arroba** (45) **Date of Patent:** **\*\* Sep. 20, 2016**

(54) **RADIATOR GRILL FOR AUTOMOBILE**

D736,122 S \* 8/2015 Hammoud ..... D12/163  
D737,736 S \* 9/2015 Iwai ..... D12/163  
D758,928 S \* 6/2016 Messale ..... D12/163

(71) Applicant: **Nissan Motor Co., Ltd.**, Yokohama,  
Kanagawa (JP)

(72) Inventor: **Giovanni Arroba**, London (GB)

(73) Assignee: **Nissan Motor Co., Ltd.**, Yokohama  
(JP)

(\*\*) Term: **14 Years**

(21) Appl. No.: **29/522,538**

(22) Filed: **Mar. 31, 2015**

(30) **Foreign Application Priority Data**

Oct. 1, 2014 (JP) ..... 2014-021879

(51) **LOC (10) Cl.** ..... **12-16**

(52) **U.S. Cl.**  
USPC ..... **D12/163**

(58) **Field of Classification Search**  
USPC ..... D12/169, 163, 196, 171, 90-92, 216;  
293/102, 113, 115, 117, 120;  
296/180.1, 180.2; 180/68.1, 68.6  
CPC .. B60R 19/52; B60R 2019/25; B62D 25/084  
See application file for complete search history.

(56) **References Cited**

**U.S. PATENT DOCUMENTS**

D570,259 S 6/2008 Choi  
D607,785 S \* 1/2010 Walter ..... D12/163  
D614,542 S \* 4/2010 Kasai ..... D12/163  
D634,676 S 3/2011 Iida  
D635,065 S 3/2011 Seo  
D670,214 S 11/2012 Watanabe  
D686,117 S 7/2013 Tase et al.  
D705,137 S \* 5/2014 Kawasaki ..... D12/163  
D727,220 S \* 4/2015 Rupar ..... D12/163

**FOREIGN PATENT DOCUMENTS**

JP D1346825 S 12/2008  
JP D1380442 S 2/2010  
JP D1398264 S 10/2010  
JP D1398265 S 10/2010  
JP D1475446 S 7/2013  
JP D1505563 S 8/2014  
JP D1489458 S 2/2015

\* cited by examiner

*Primary Examiner* — Melody N Brown

(74) *Attorney, Agent, or Firm* — Global IP Counselors, LLP

(57) **CLAIM**

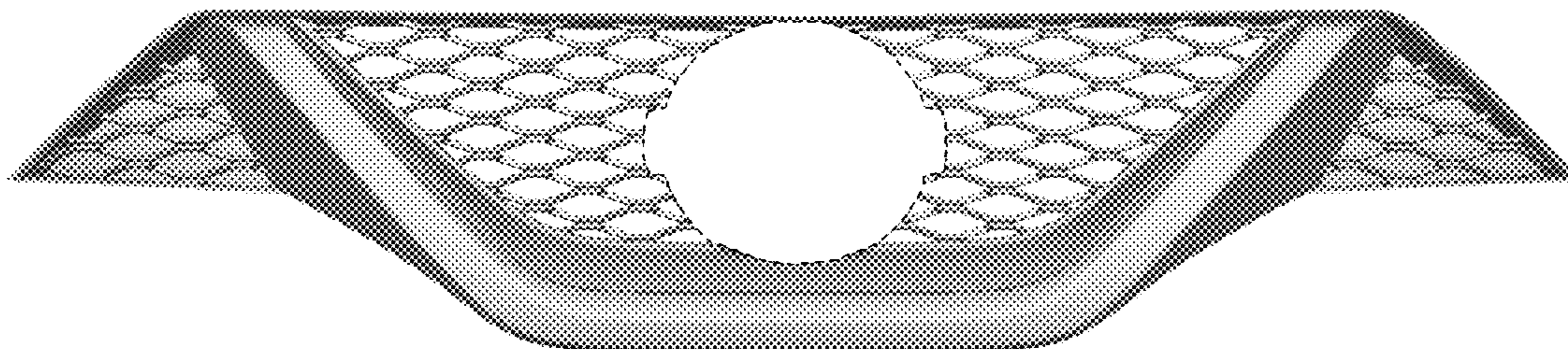
The ornamental design for a radiator grill for an automobile,  
as shown and described.

**DESCRIPTION**

FIG. 1 is a front elevational view of a radiator grill for  
automobile showing our new design;  
FIG. 2 is a top plan view thereof;  
FIG. 3 is a bottom plan view thereof;  
FIG. 4 is a right side elevational view thereof;  
FIG. 5 is a left side perspective view thereof;  
FIG. 6 is a top, front and right side perspective view thereof;  
and,  
FIG. 7 is a bottom, rear and left side perspective view  
thereof.

The broken line showing of the radiator grill is for purpose  
of illustrating environmental structure and forms no part of  
the claimed design. The rear view of the radiator grill forms  
no part of the claimed design.

**1 Claim, 7 Drawing Sheets**



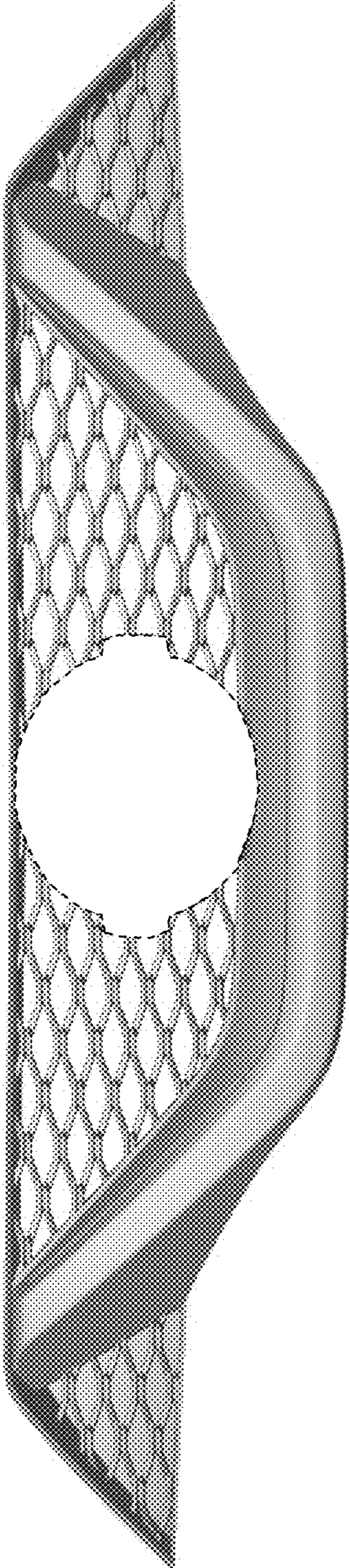


FIG. 1



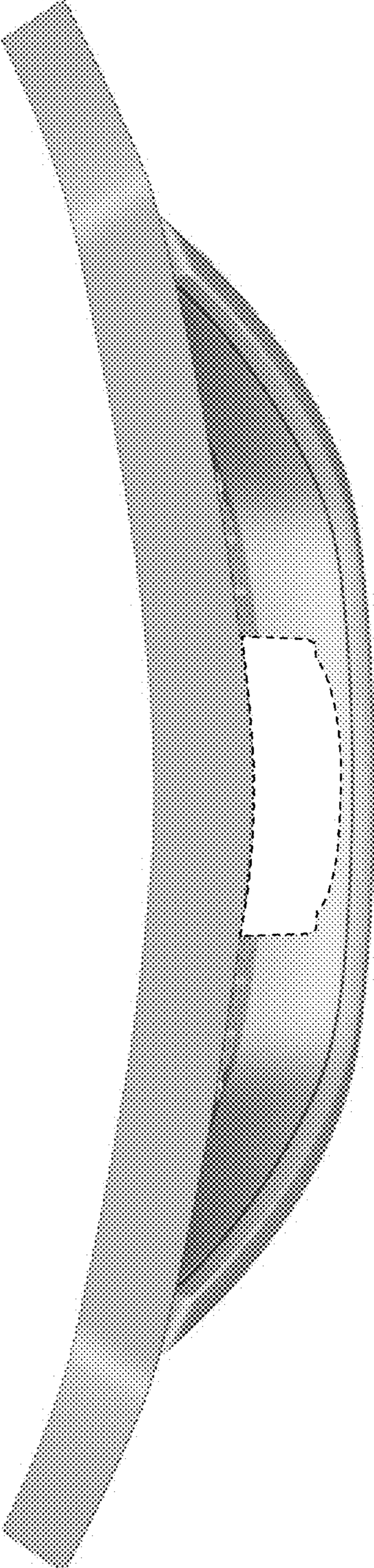


FIG. 2

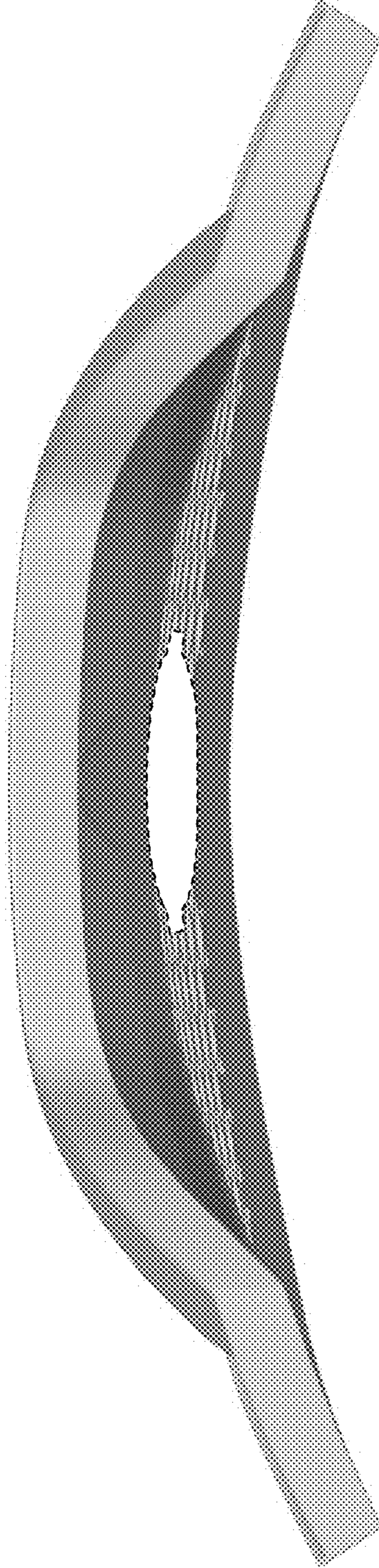


FIG. 3

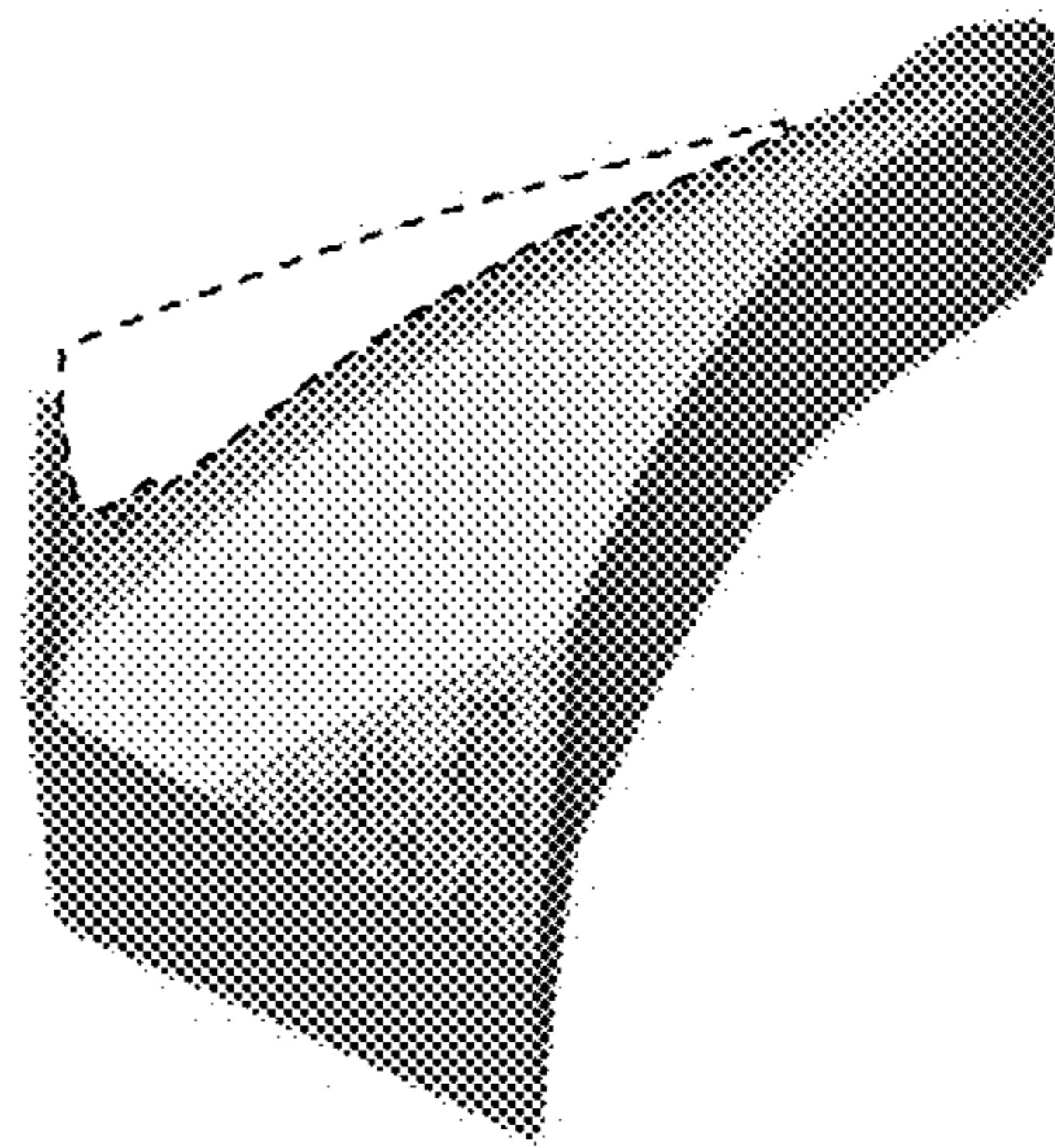


FIG. 4

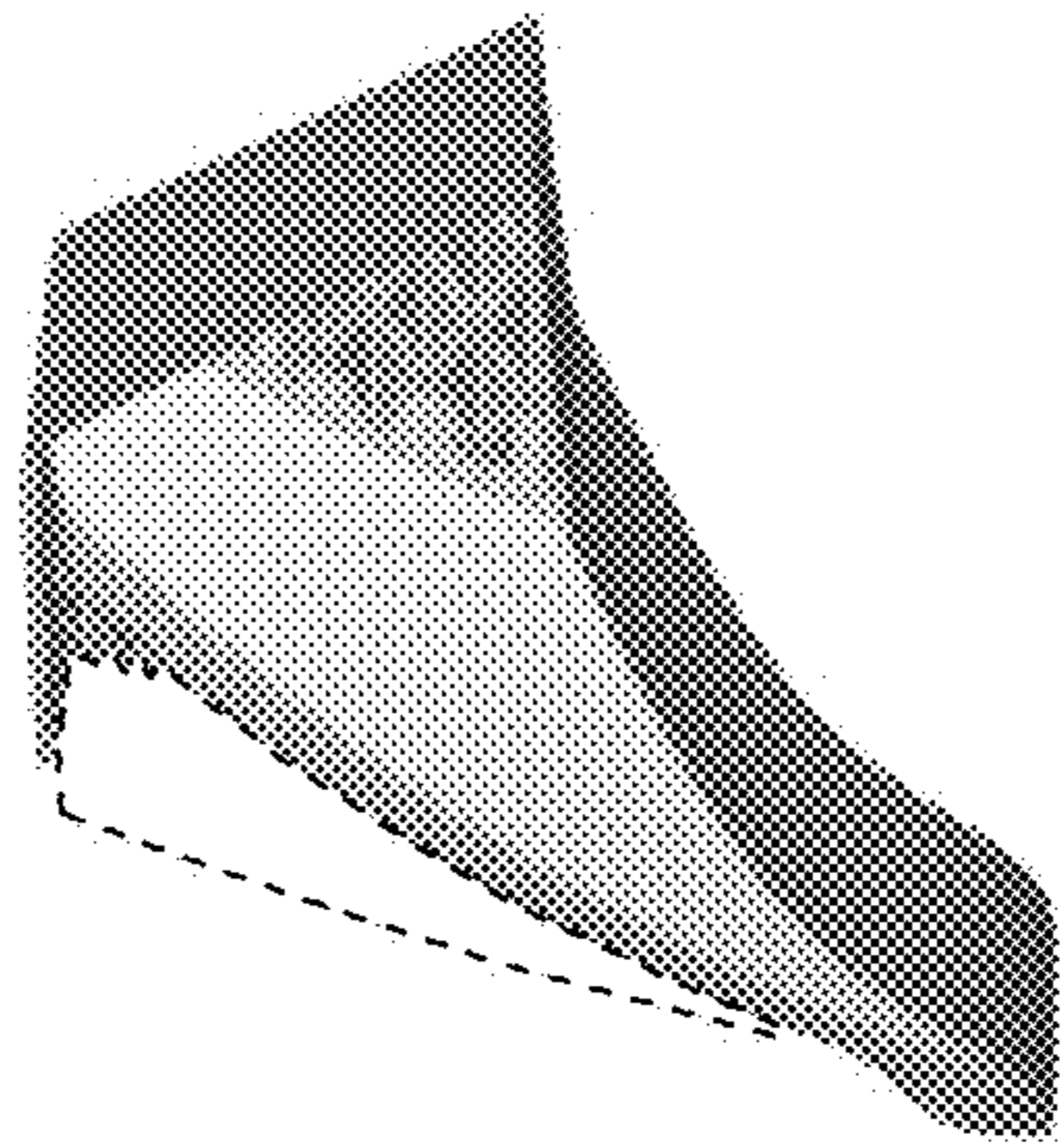


FIG. 5



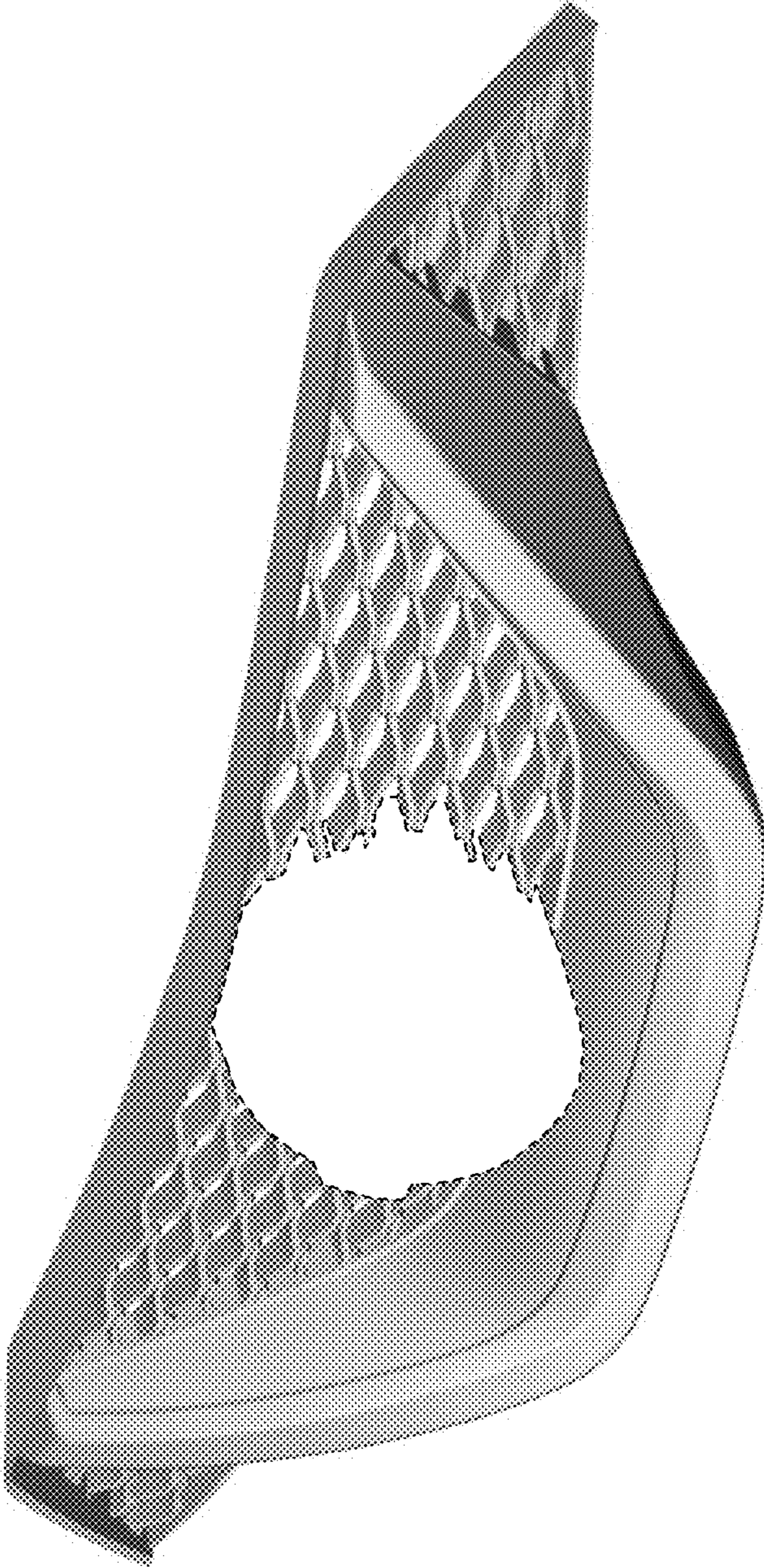


FIG. 6

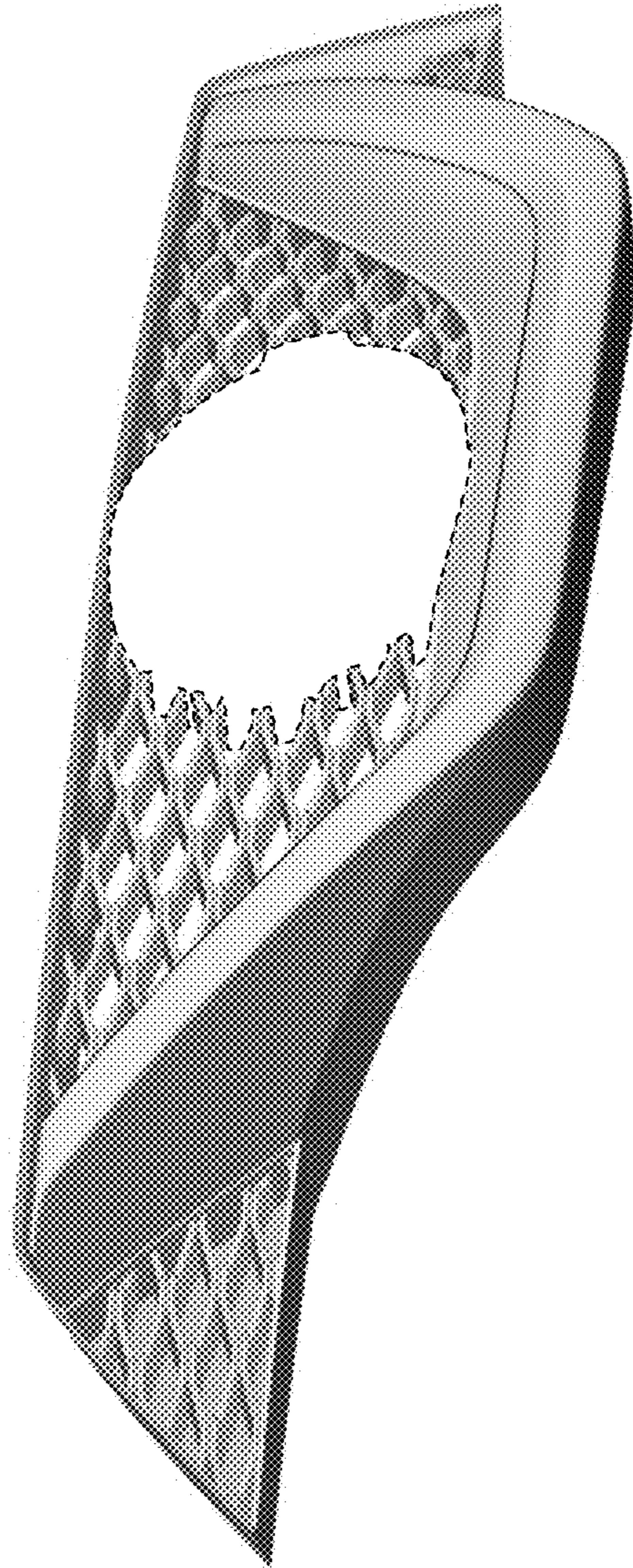


FIG. 7