



US00D766780S

(12) **United States Design Patent** (10) **Patent No.:** **US D766,780 S**
Fusco (45) **Date of Patent:** **** Sep. 20, 2016**

(54) **DRAG KART CHASSIS**

(71) Applicant: **Edward A. Fusco**, City of Florissant, MO (US)

(72) Inventor: **Edward A. Fusco**, City of Florissant, MO (US)

(**) Term: **14 Years**

(21) Appl. No.: **29/494,119**

(22) Filed: **Jun. 17, 2014**

(51) **LOC (10) Cl.** **12-11**

(52) **U.S. Cl.**
 USPC **D12/112; D21/426**

(58) **Field of Classification Search**
 USPC D21/412, 414, 431-435; D12/1, 87, D12/107, 110-114, 129, 130, 133; 280/87.01, 87.021, 87.05, 87.051, 280/47.17, 47.25, 47.34, 47.38, 47.4, 827, 280/828, 29, 200, 263, 266, 267, 270, 282, 280/288.4, 291, 293; 297/5; 482/68
 CPC A63G 25/00; B62D 21/183; B62D 39/00; B60K 7/0007
 See application file for complete search history.

(56) **References Cited**
 U.S. PATENT DOCUMENTS

3,533,484 A * 10/1970 Wood, Jr. 180/206.4
 D246,198 S * 10/1977 Rose D21/426

D249,496 S * 9/1978 Morgan D12/112
 D252,714 S * 8/1979 Tidwell D21/426
 D276,058 S * 10/1984 Rogers D21/426
 D280,916 S * 10/1985 Castle D21/426
 D320,420 S * 10/1991 Dupont D21/426
 D320,586 S * 10/1991 Tellinghuisen D12/112
 D582,992 S * 12/2008 Alais D21/426
 D692,505 S * 10/2013 Jiang D21/426
 D692,506 S * 10/2013 Jiang D21/426
 2004/0199311 A1 * 10/2004 Aguilar et al. 701/36
 2010/0032223 A1 * 2/2010 Kermani 180/216

* cited by examiner

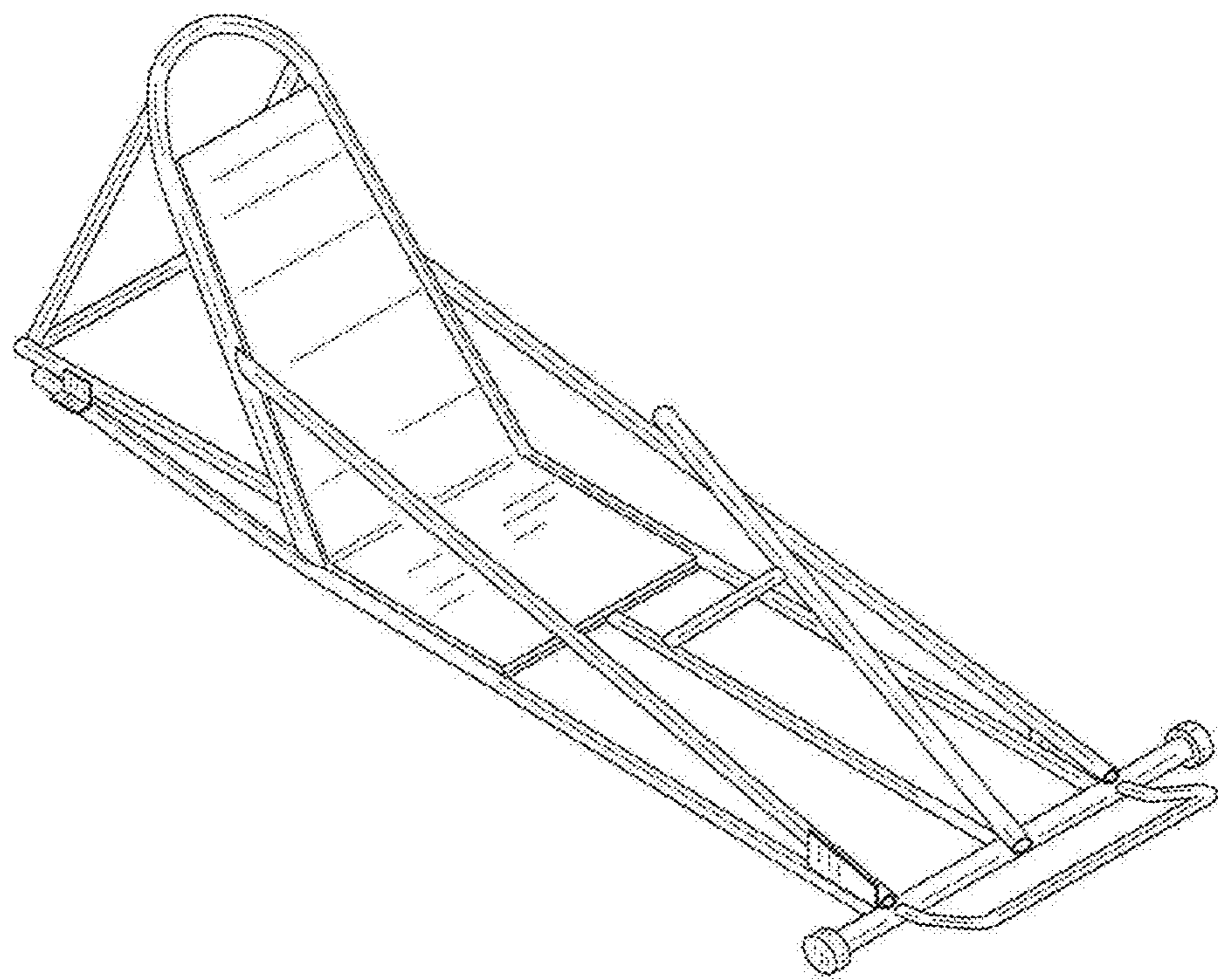
Primary Examiner — Philip S Hyder
Assistant Examiner — Darlington Ly
 (74) *Attorney, Agent, or Firm* — Charles McCloskey

(57) **CLAIM**
 The ornamental design for a drag kart chassis, as shown and described.

DESCRIPTION

FIG. 1 is a front elevation view of the drag kart chassis showing my new design;
 FIG. 2 is a rear view thereof;
 FIG. 3 is a left side elevation view thereof;
 FIG. 4 is a right side elevation view thereof;
 FIG. 5 is a top plan view thereof;
 FIG. 6 is a bottom plan view thereof; and,
 FIG. 7 is a right front perspective view thereof.

1 Claim, 4 Drawing Sheets



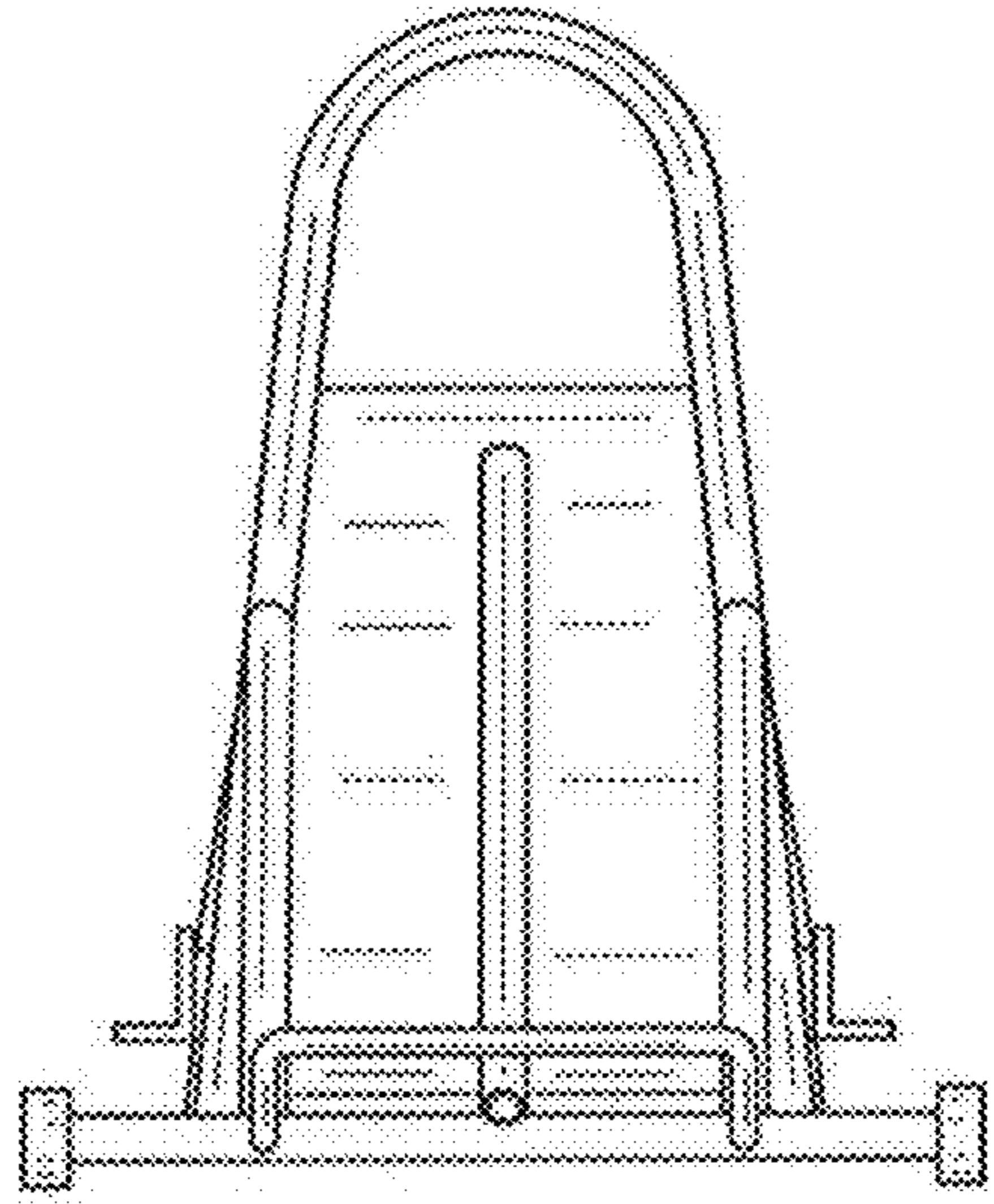


FIG. 1

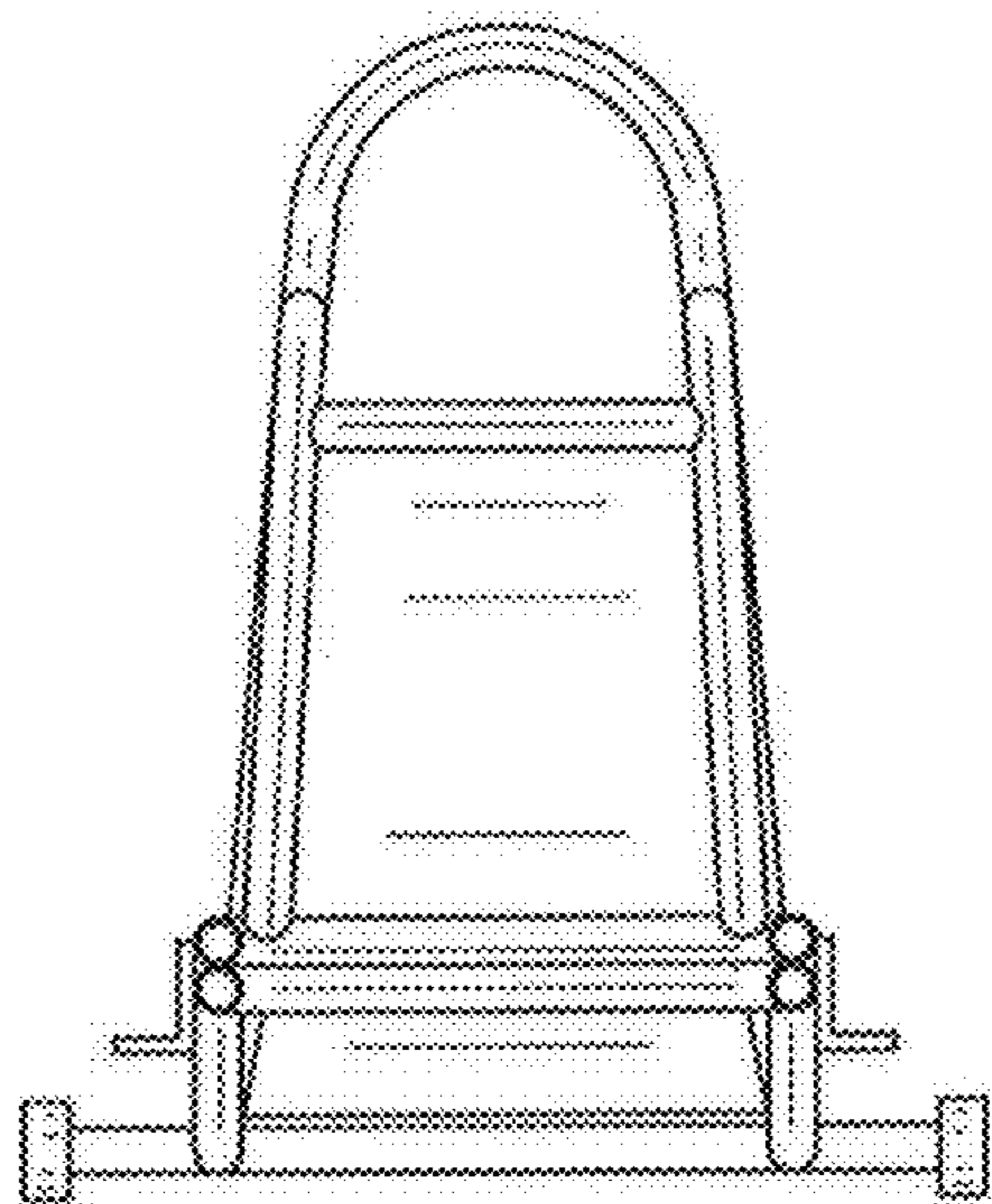
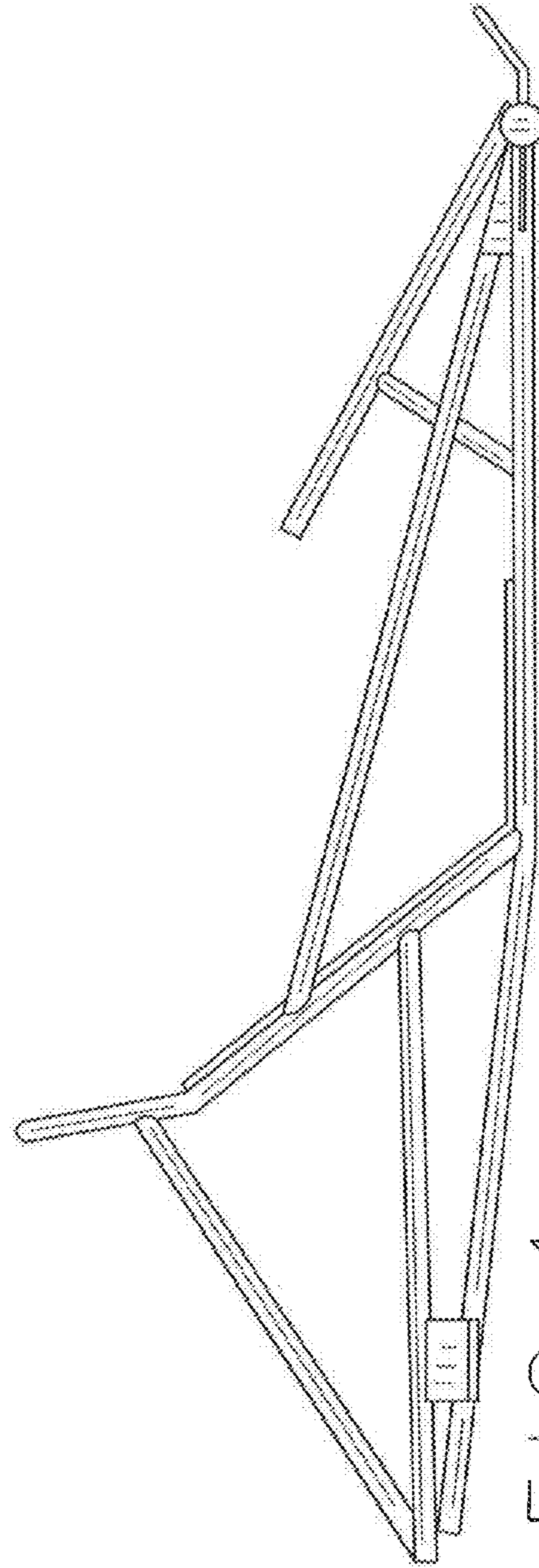
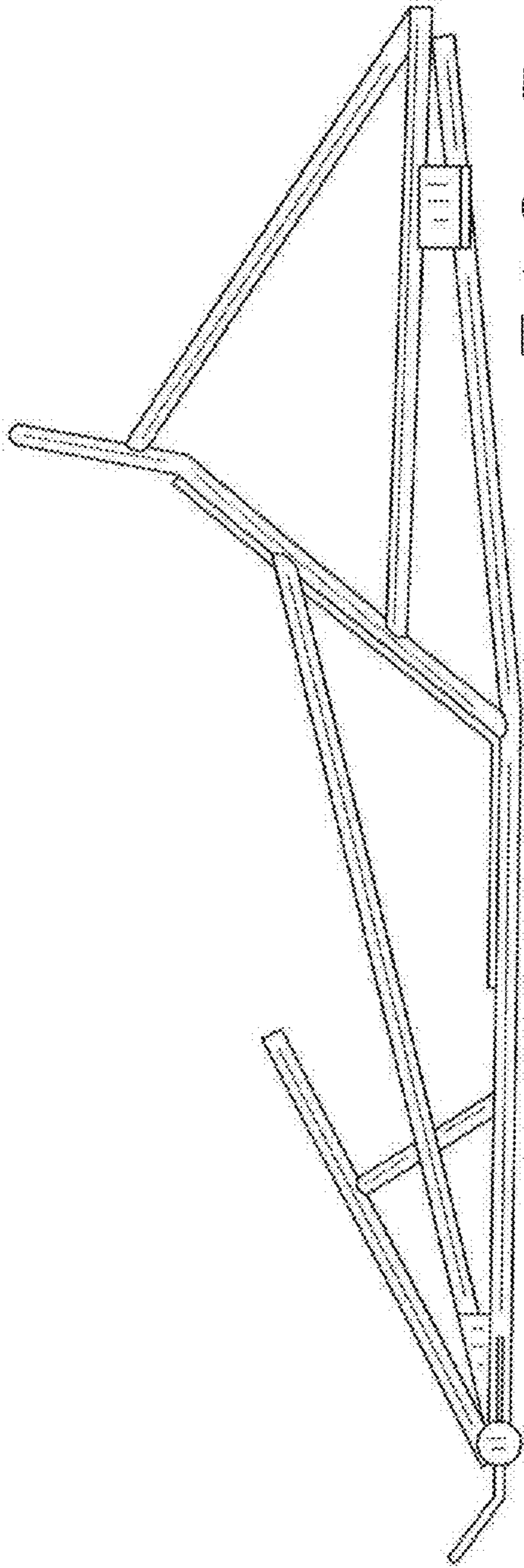


FIG. 2



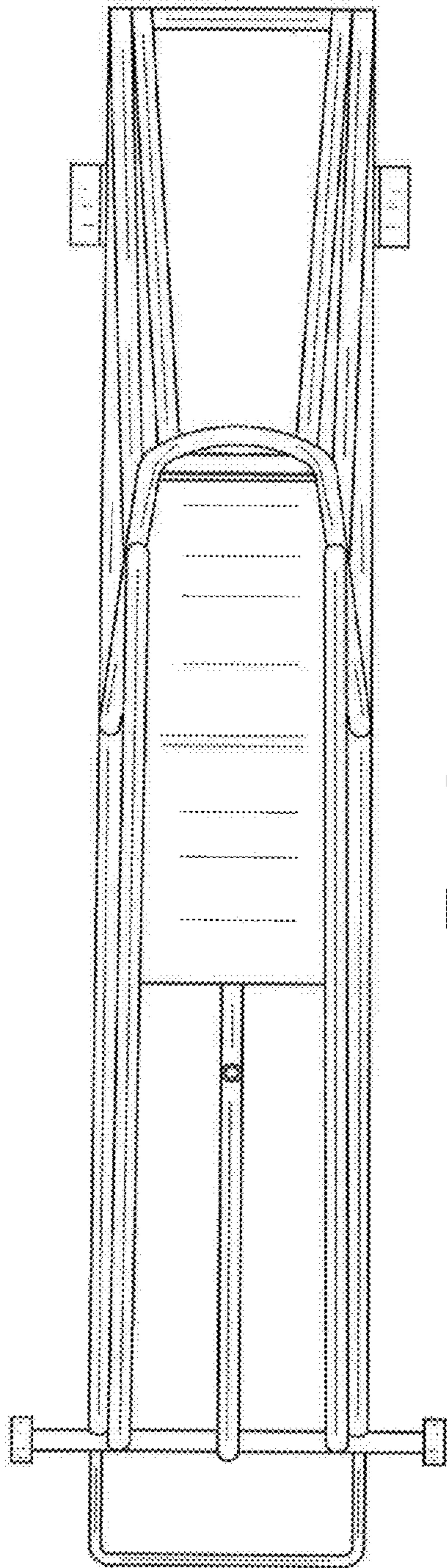


FIG. 5

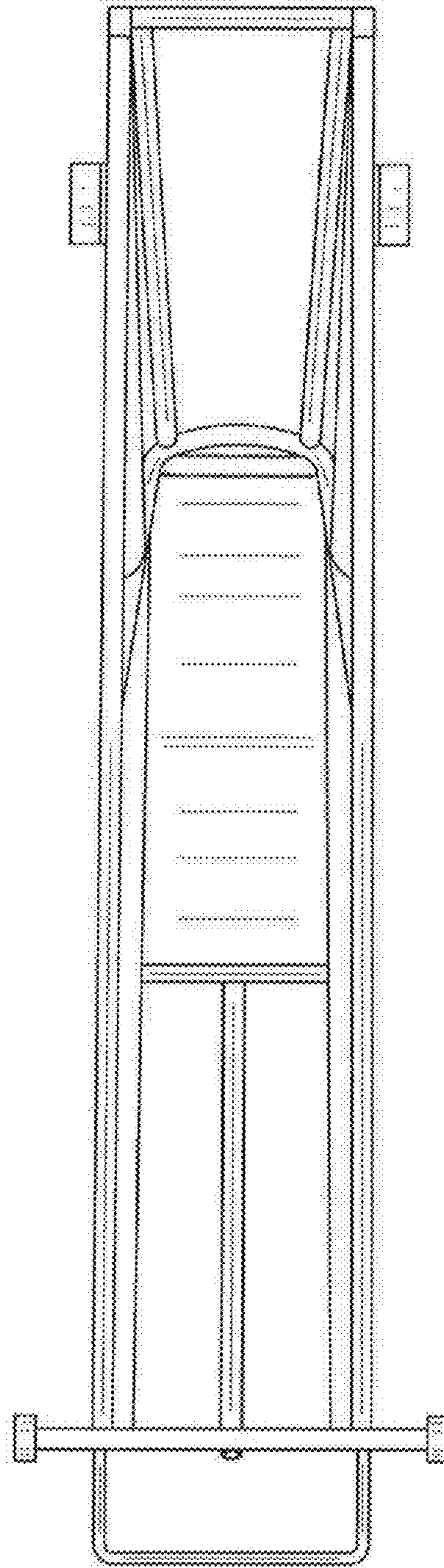


FIG. 6

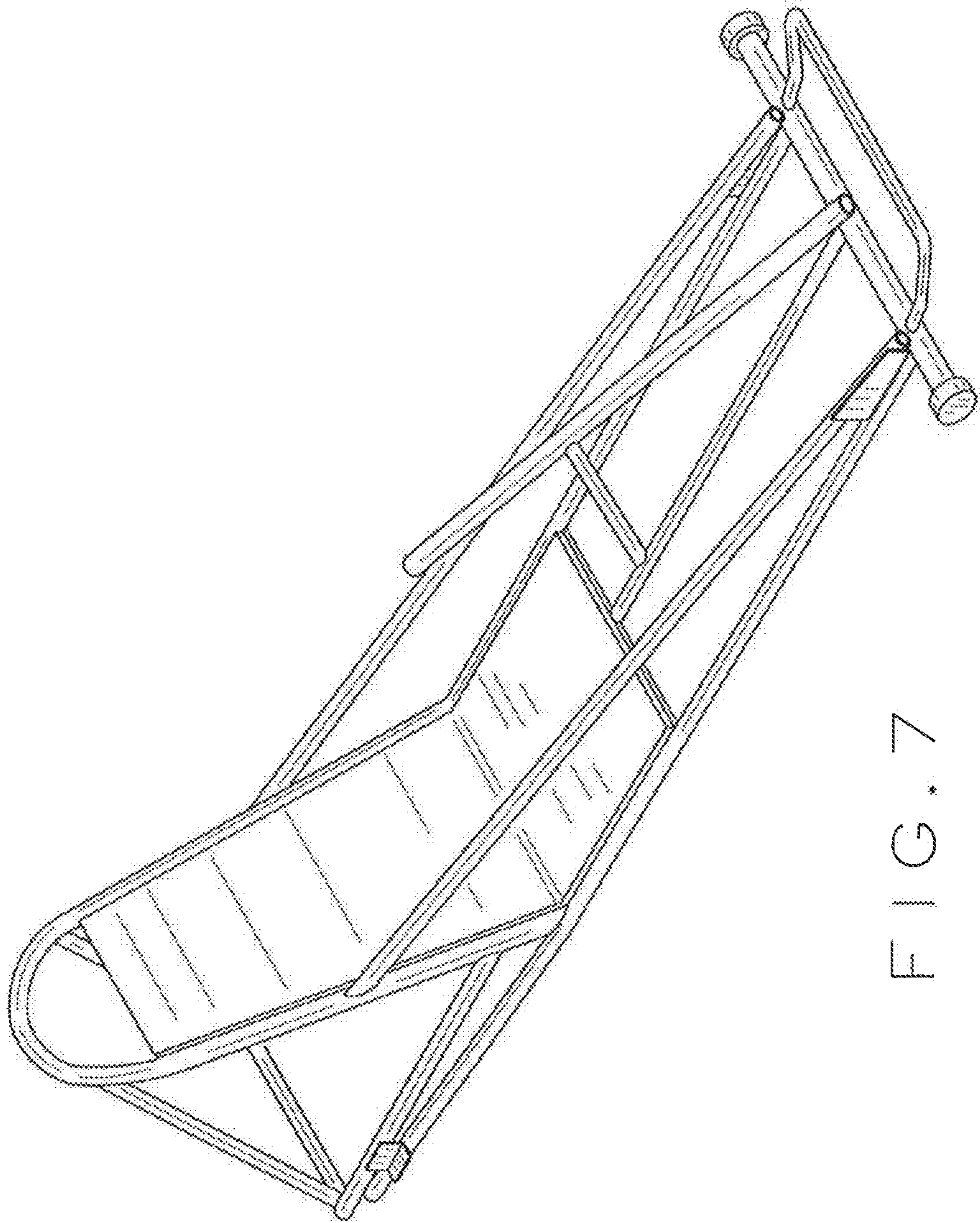


FIG. 7