



US00D766775S

(12) **United States Design Patent**
Stegmann

(10) **Patent No.:** **US D766,775 S**

(45) **Date of Patent:** **** Sep. 20, 2016**

(54) **CLASP**

(71) Applicant: **GLASHÜTTER UHRENBETRIEB GmbH, Glashütte (DE)**

(72) Inventor: **Katharina Stegmann, Paulsdorf (DE)**

(73) Assignee: **GLASHÜTTER UHRENBETRIEB GMBH, Glashütte (DE)**

(**) Term: **14 Years**

(21) Appl. No.: **29/497,969**

(22) Filed: **Jul. 30, 2014**

(30) **Foreign Application Priority Data**

Jan. 30, 2014 (WO) DM/082 768

(51) **LOC (10) Cl.** **02-07**

(52) **U.S. Cl.**
USPC **D11/231**

(58) **Field of Classification Search**

USPC D11/200–201, 230–241, 218, 93–94,
D11/87; D2/624–640, 943, 946; 24/163 R,
24/164, 185–191, 194–199, 169–171, 173,
24/177–179, 265 BC, 71 J; 224/163;
D30/152; 119/863; 63/3.2, 10
CPC A44B 11/24; A44B 11/006; A44B 11/04;
A44B 11/001; A44B 99/00; A44B 11/10;
A44B 11/005; A41F 11/12; A41F 11/16;
B65D 85/12; A44C 5/24; A44C 5/2042;
A44C 5/185; A44C 5/246
See application file for complete search history.

(56) **References Cited**

U.S. PATENT DOCUMENTS

D289,623 S * 5/1987 Inoue D11/230
D471,328 S * 3/2003 Hanna D11/218
D479,812 S * 9/2003 Calvani D11/234

7,124,478 B2 * 10/2006 Aquillon A44C 5/2042
24/265 BC
D611,383 S * 3/2010 Wolfgang D11/94
D611,873 S * 3/2010 Wolfgang D11/94
D628,511 S * 12/2010 Wolfgang D11/94
D637,519 S * 5/2011 Coffman D11/234
D639,201 S * 6/2011 Cole D11/87
D647,000 S * 10/2011 Kerker D11/234
D669,389 S * 10/2012 Maier D11/94
D682,736 S * 5/2013 Ng D11/234
D710,251 S * 8/2014 Mariner D11/234
D711,777 S * 8/2014 Monachon D11/234
D723,422 S * 3/2015 Gueit D11/234
D724,479 S * 3/2015 Cerrato D11/93
D730,772 S * 6/2015 Chang D11/234
D740,714 S * 10/2015 Cerrato D11/94
2004/0168285 A1 * 9/2004 Chan A44C 5/24
24/190
2007/0125123 A1 * 6/2007 Sierro A44C 5/185
63/3.2
2007/0271747 A1 * 11/2007 Yamamoto A44C 5/246
24/71 J
2012/0312052 A1 * 12/2012 Yliluoma A44C 5/246
63/10

* cited by examiner

Primary Examiner — T. Chase Nelson

Assistant Examiner — Mark Cavanna

(74) *Attorney, Agent, or Firm* — Donald J. Ranft; Kristen A. Mogavero; Collen IP

(57) **CLAIM**

The ornamental design for a clasp, as shown.

DESCRIPTION

FIG. 1 is a front right perspective view of a clasp showing my new design;

FIG. 2 is a front view thereof;

FIG. 3 is a rear view thereof;

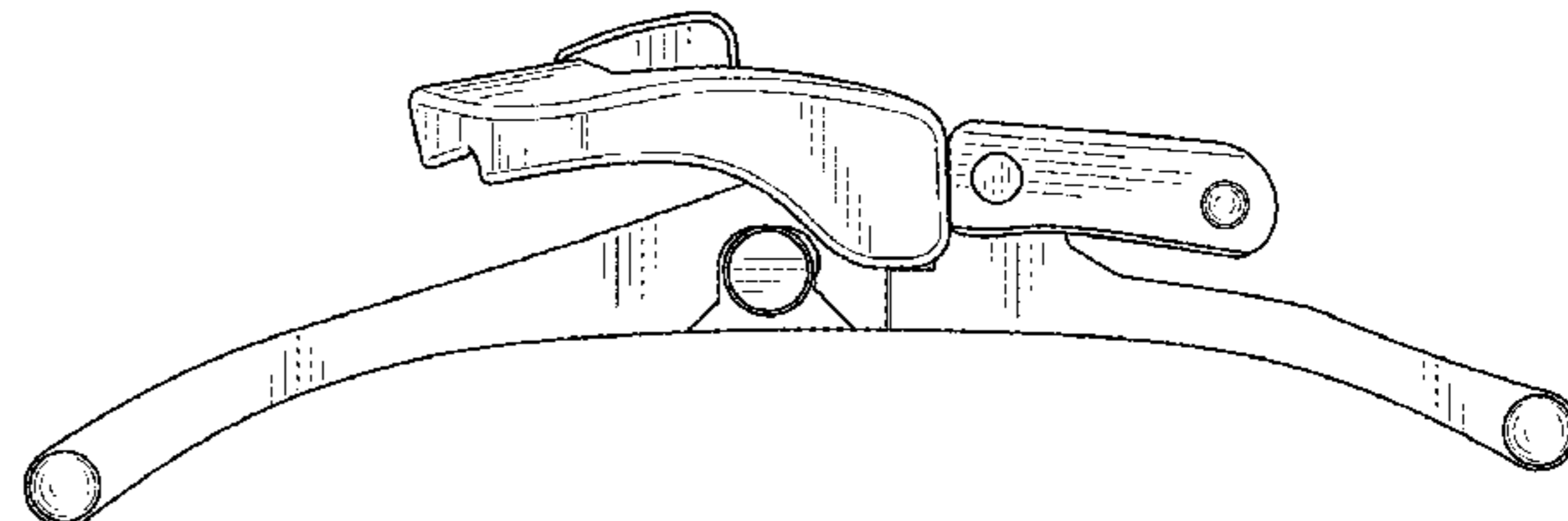
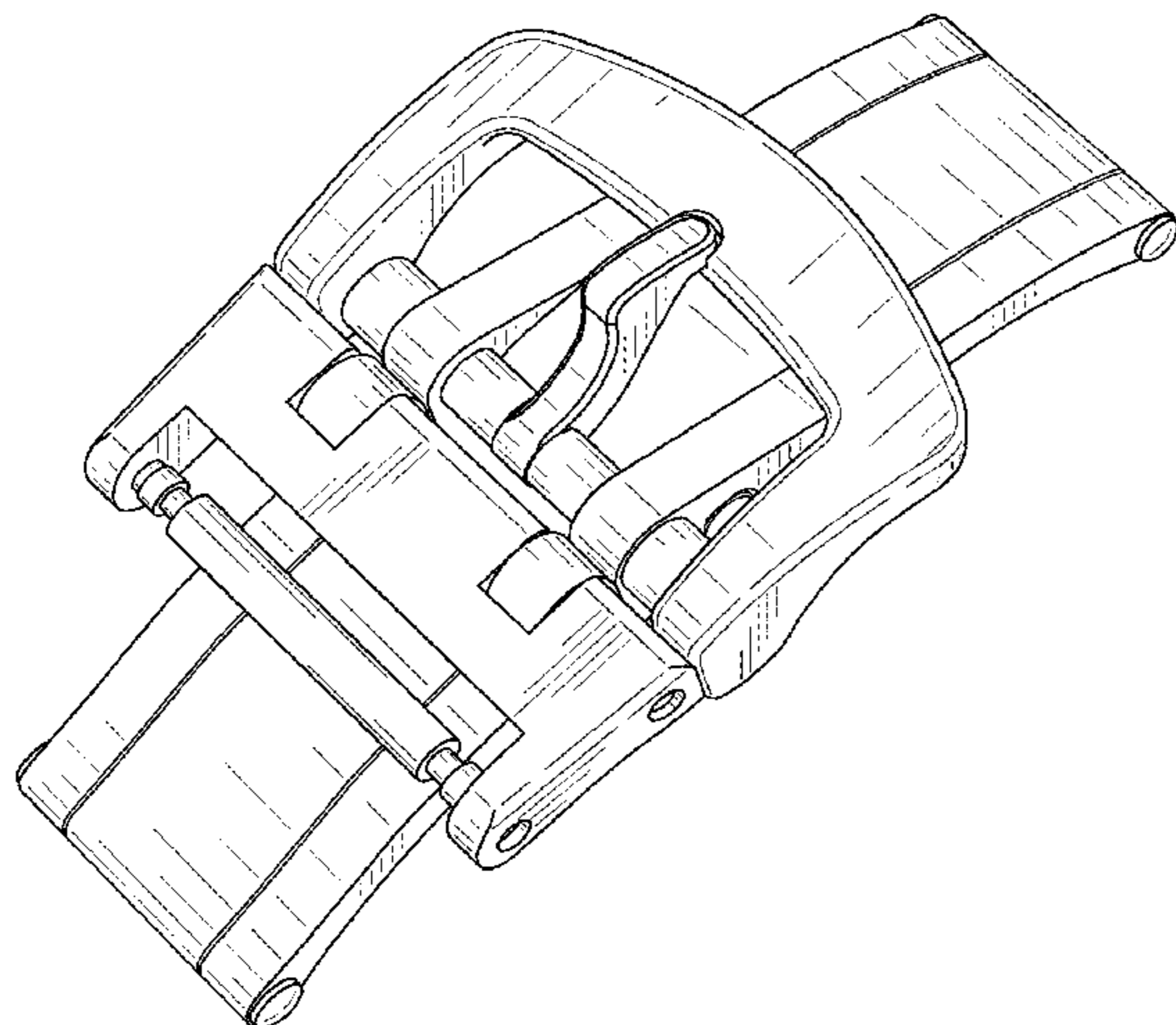
FIG. 4 is a left side view thereof;

FIG. 5 is a right side view thereof;

FIG. 6 is a top view thereof; and,

FIG. 7 is a bottom view thereof.

1 Claim, 3 Drawing Sheets



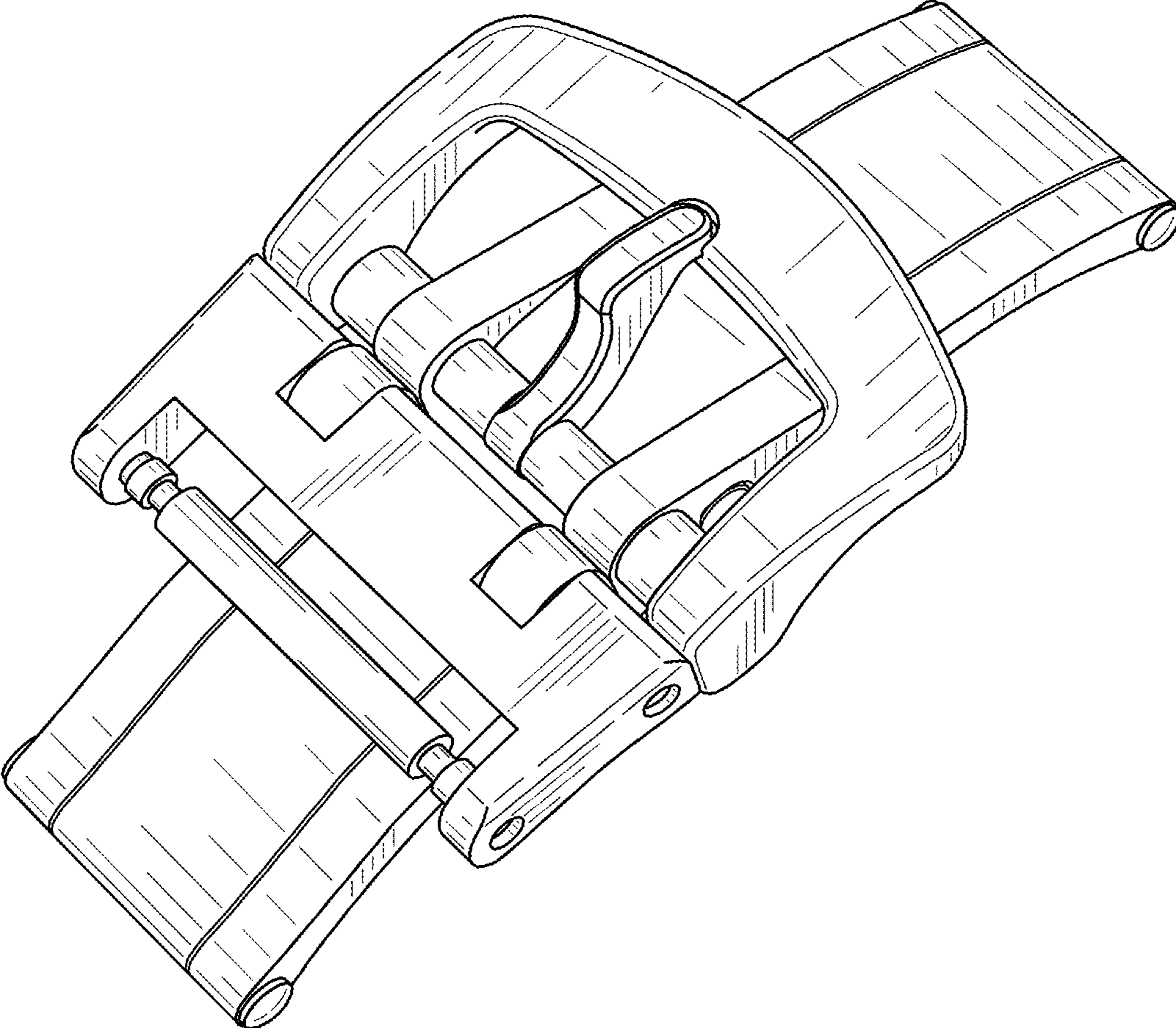


FIG. 1

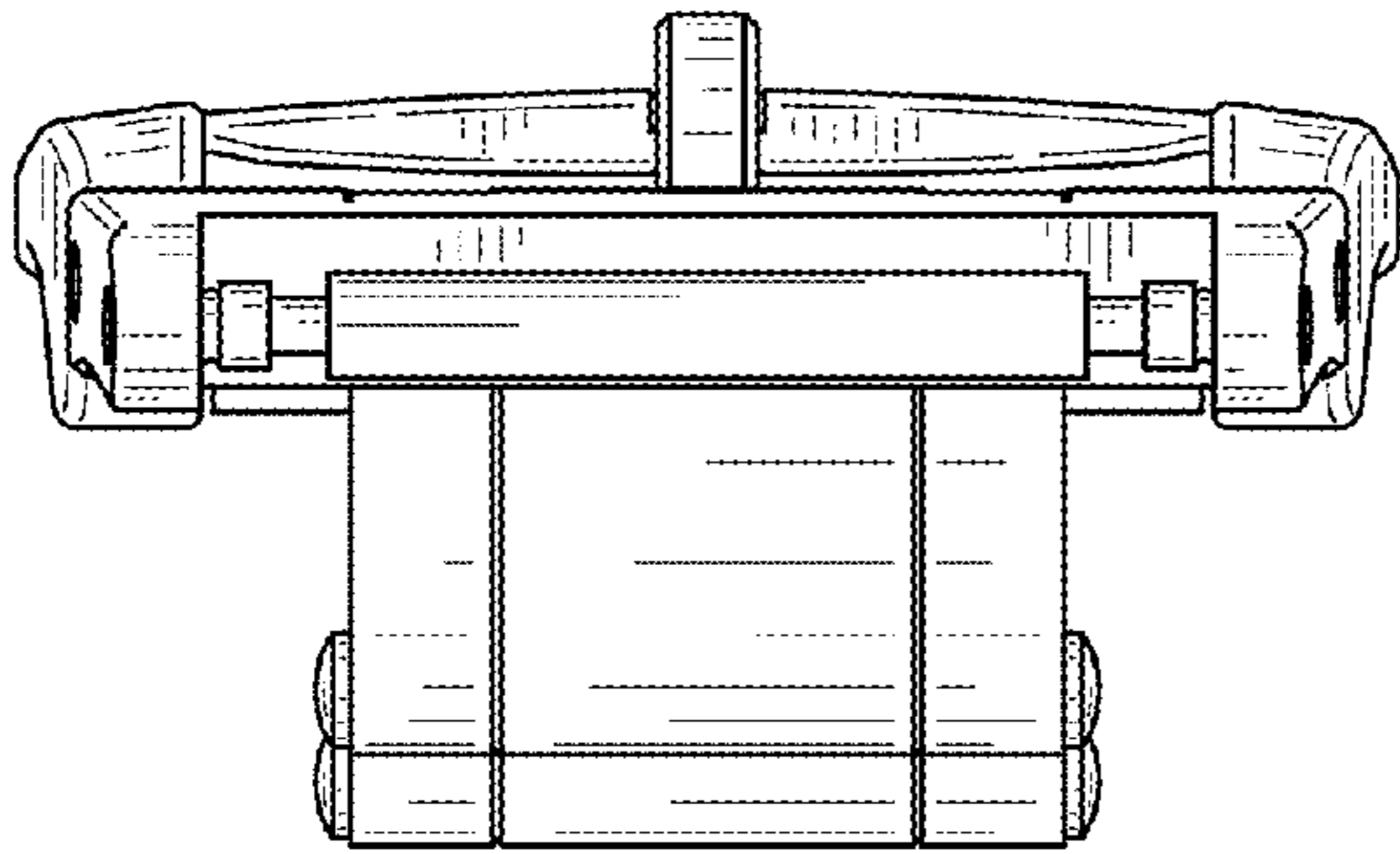


FIG. 2

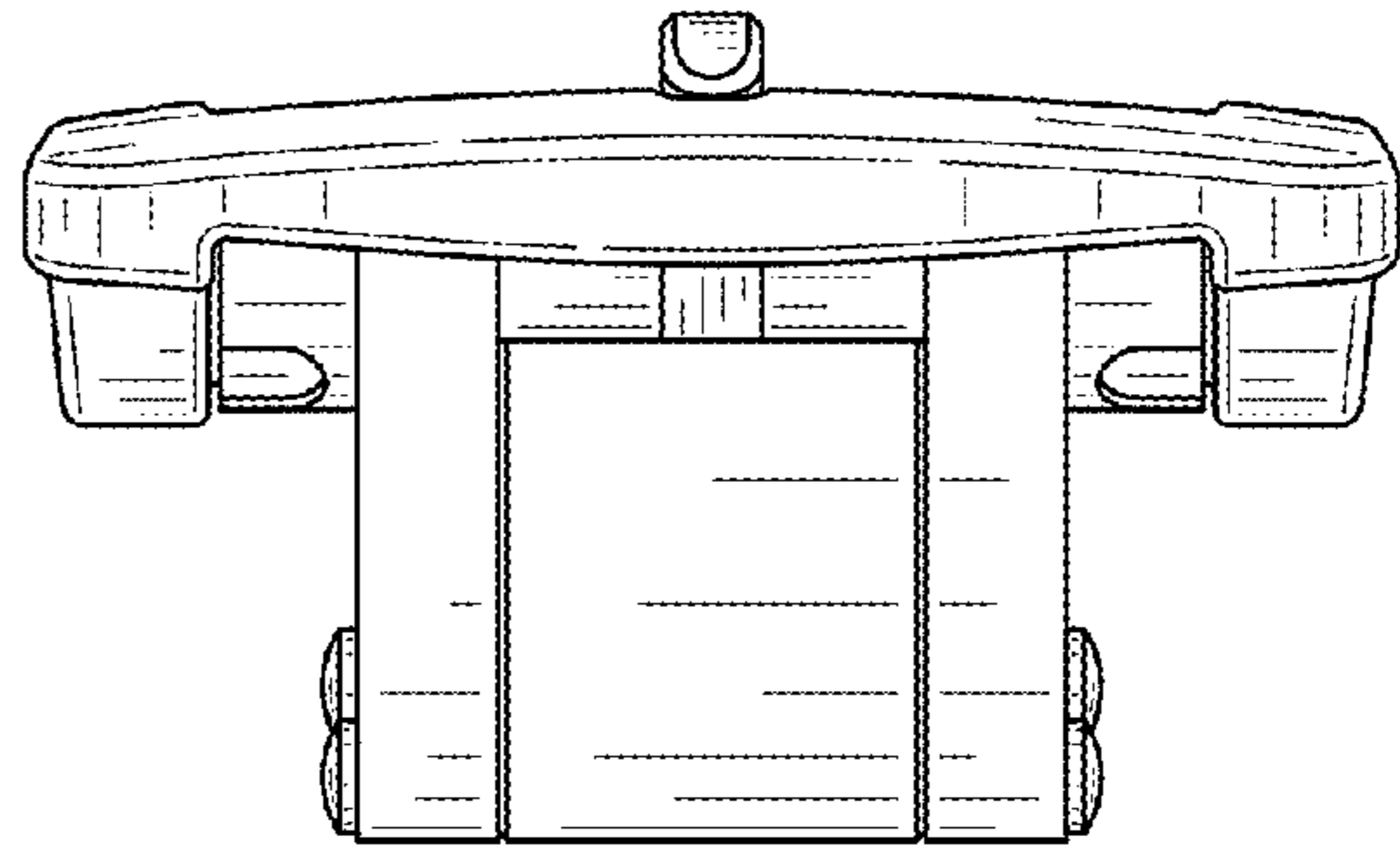


FIG. 3

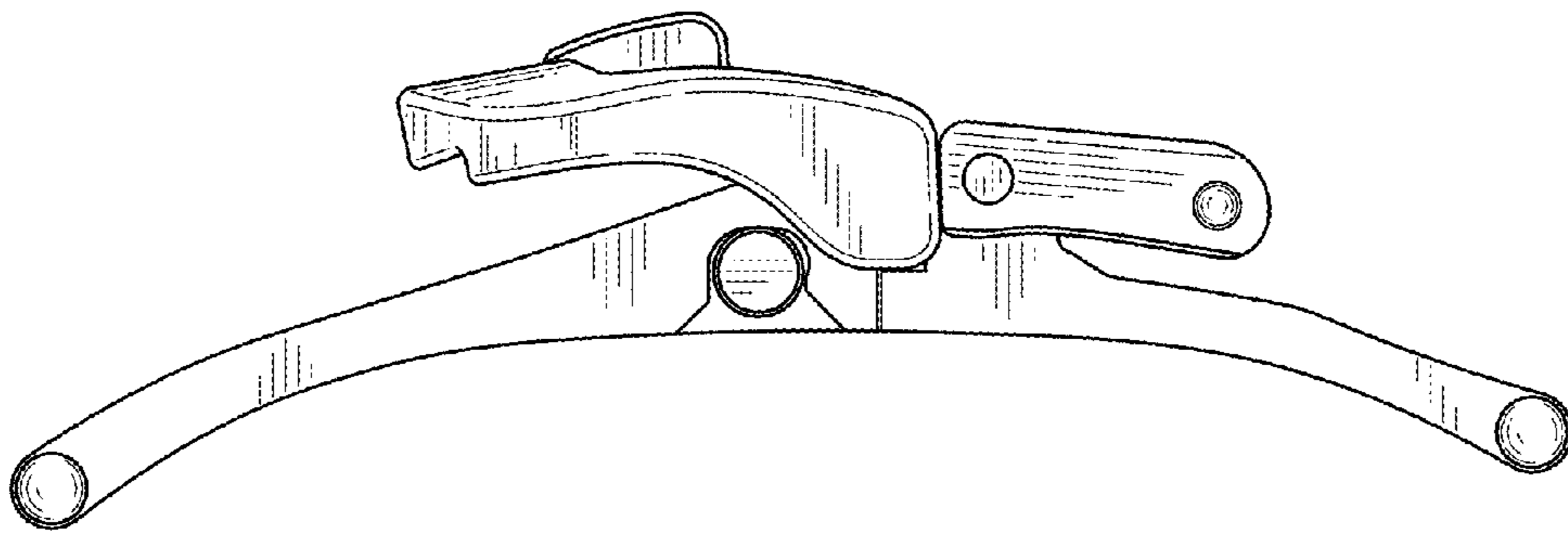


FIG. 4

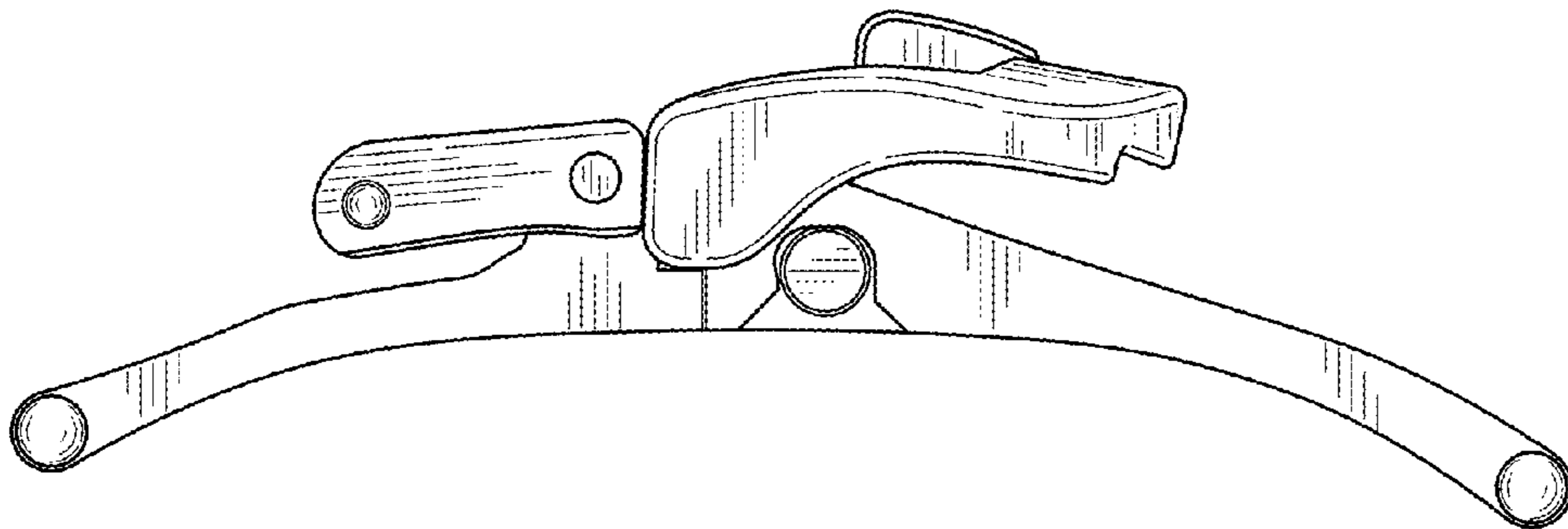


FIG. 5

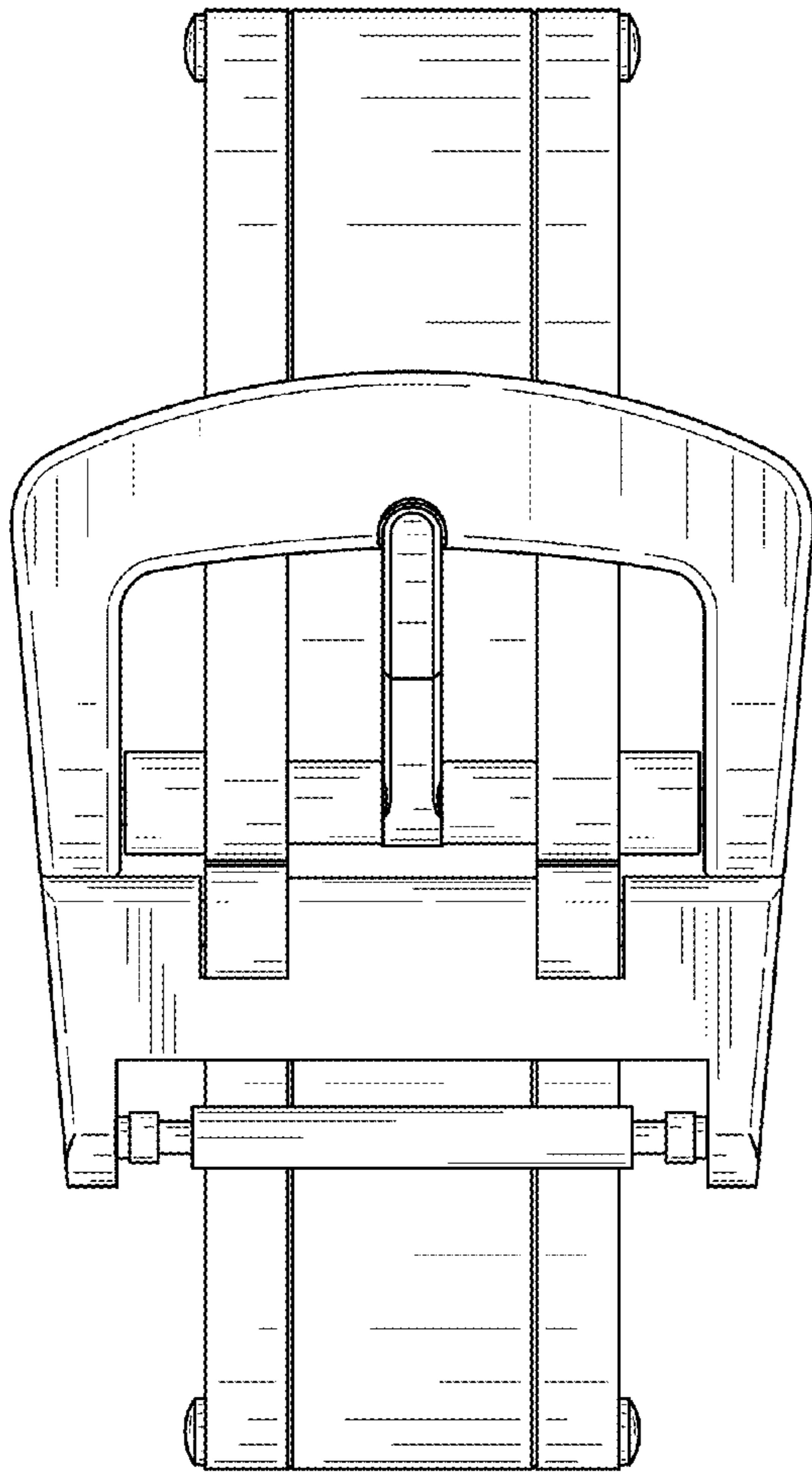


FIG. 6

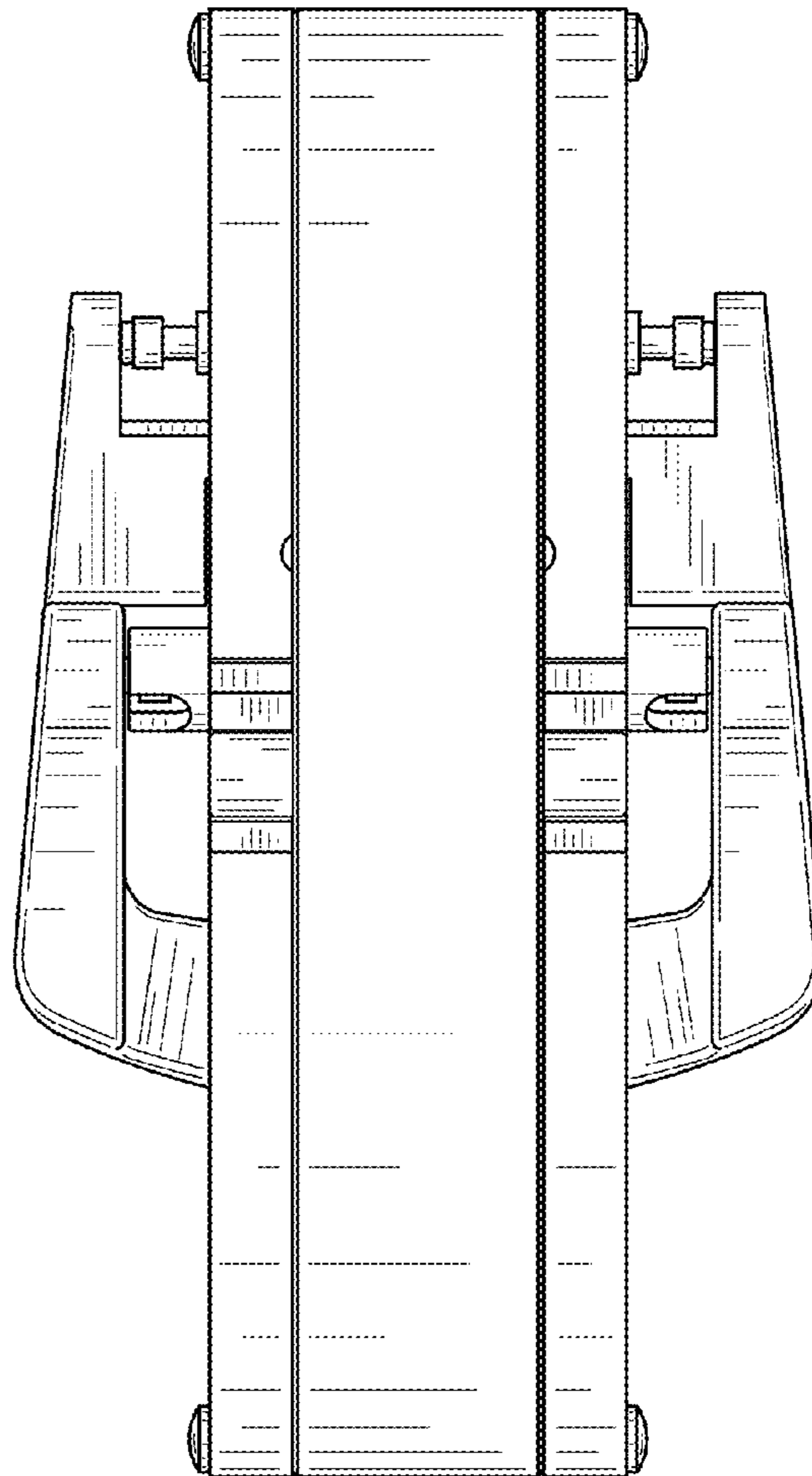


FIG. 7