

US00D766772S

(12) **United States Design Patent** (10) **Patent No.:** **US D766,772 S**
Letney (45) **Date of Patent:** **** Sep. 20, 2016**

- (54) **UNITY CROSS ASSEMBLY**
- (71) Applicant: **Michael James Letney**, Tulsa, OK (US)
- (72) Inventor: **Michael James Letney**, Tulsa, OK (US)
- (**) Term: **15 Years**
- (21) Appl. No.: **29/530,086**
- (22) Filed: **Jun. 12, 2015**
- (51) **LOC (10) Cl.** **11-03**
- (52) **U.S. Cl.**
USPC **D11/96**
- (58) **Field of Classification Search**
USPC D11/95-116, 121, 131, 140, 157, 79;
63/1.11, 1.12, 1.13, 1.14, 1.16, 1.18,
63/13, 14.1, 35, 39, 19; D99/17, 23, 25,
D99/27, 30; 428/3; D8/348; D3/211;
D6/674
CPC A44C 15/001; A44C 9/0053; A44C
15/0015; A44C 1/00; A44C 15/00; A44C
7/00; A44C 25/004; A44C 5/0092; A44C
11/002; A47G 33/02
See application file for complete search history.

- D590,574 S * 4/2009 Pawlik D11/157
- D610,481 S * 2/2010 Sandberg D11/96
- D618,135 S * 6/2010 Horst D11/157
- D619,926 S 7/2010 Letney
- D638,605 S * 5/2011 Schmitcke D99/27

(Continued)

FOREIGN PATENT DOCUMENTS

- WO 2010038057 4/2010
- WO 2015012947 1/2015

OTHER PUBLICATIONS

Living, Loving, Laughing (Live Well, Laugh Often, and Alove With All of Your Heart!); A Wedding Post—The Sand Ceremony; Feb. 2, 2010; <http://youthinkyoucanblog.com/2011/02/10/a-wedding-post-the-sand-ceremony/> Country where published: United States.

(Continued)

Primary Examiner — T. Chase Nelson
Assistant Examiner — Mark Cavanna
(74) *Attorney, Agent, or Firm* — Head, Johnson & Kachigian, P.C.

(57) **CLAIM**
The ornamental design for a unity cross assembly, as shown and described.

DESCRIPTION

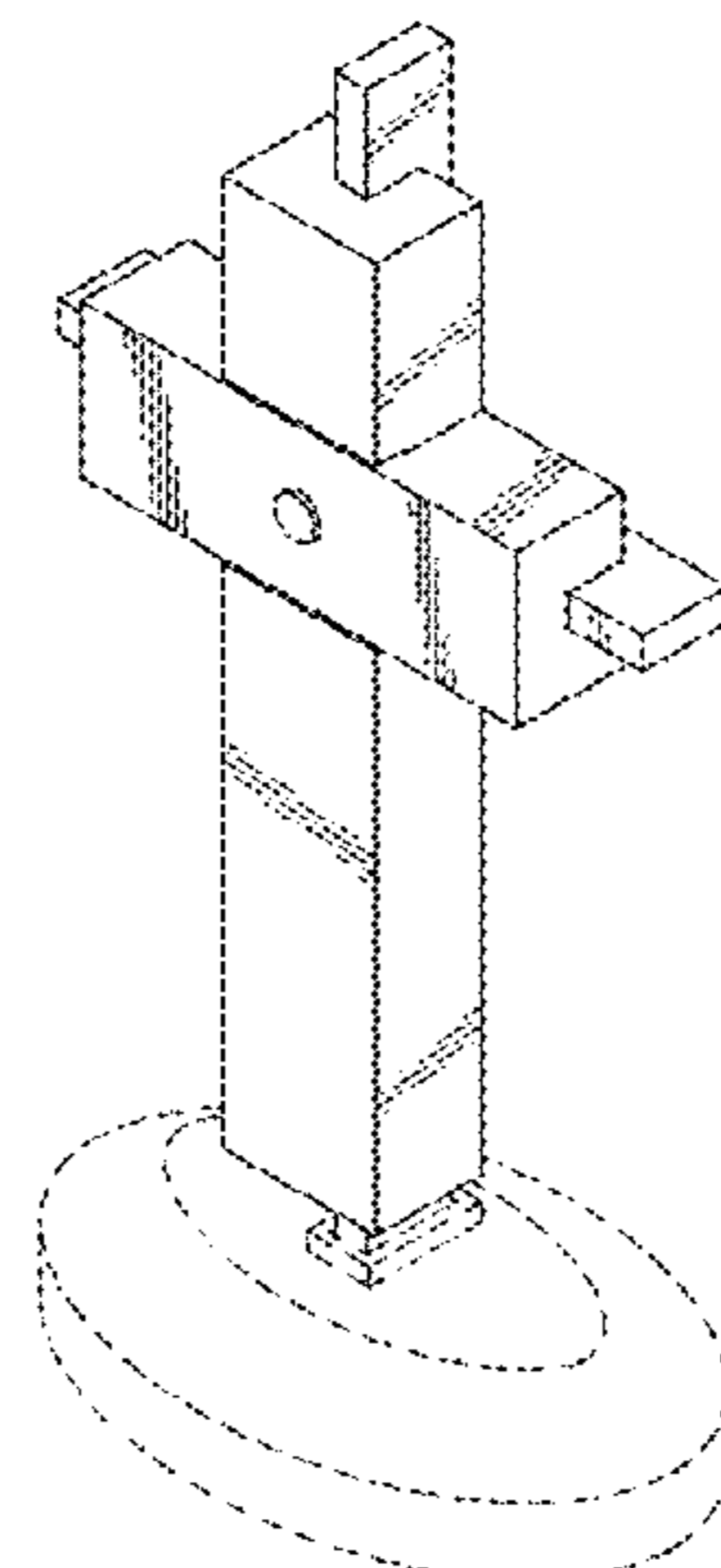
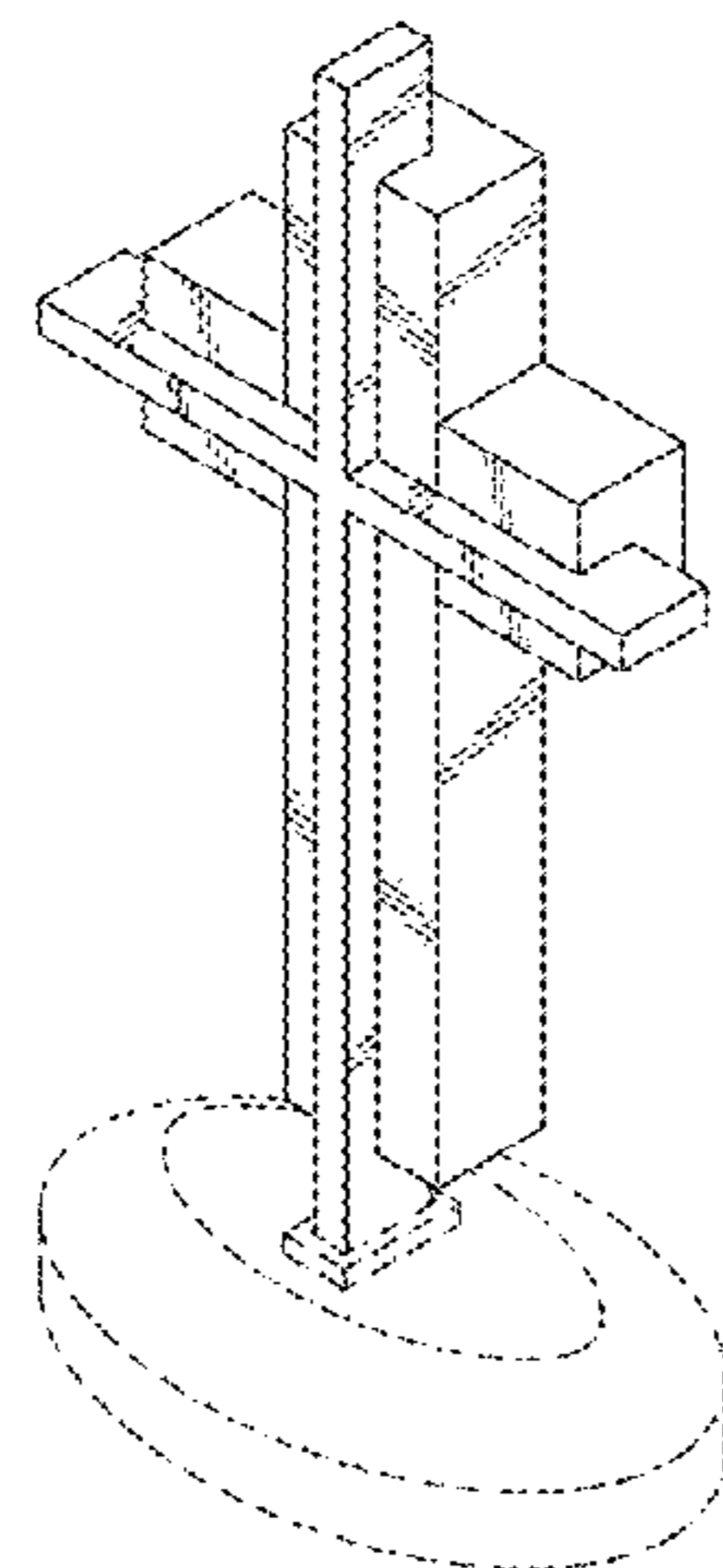
FIG. 1 is an assembled front perspective view of a unity cross assembly showing my new design; FIG. 2 is a rear perspective view thereof; FIG. 3 is a front view thereof; FIG. 4 is a back view thereof; FIG. 5 is a top view thereof; FIG. 6 is a bottom view thereof; and, FIG. 7 is a right side view thereof, the left side view being a mirror image thereof. The dashed lines are included for the purpose of illustrating portions of the unity cross assembly that form no part of the claimed design.

1 Claim, 5 Drawing Sheets

(56) **References Cited**

U.S. PATENT DOCUMENTS

- 274,638 A 3/1883 Mould
- 1,473,530 A 11/1923 Walrow
- 2,355,154 A 8/1944 Goudreau
- 2,533,778 A 12/1950 Eckhardt
- D256,398 S * 8/1980 Mitchell D99/25
- 5,390,510 A 2/1995 Tirio-Cloonan
- D365,781 S * 1/1996 Osborn D11/96
- D370,770 S * 6/1996 Cramer D99/27
- 5,628,413 A 5/1997 Lu et al.
- D385,672 S * 10/1997 Noris D6/674
- D408,318 S * 4/1999 Zuzul D11/96
- D443,970 S * 6/2001 Stucker D99/23
- D487,232 S * 3/2004 Pachachi D11/96
- D505,529 S * 5/2005 Mitchell D99/27



(56)

References Cited

U.S. PATENT DOCUMENTS

8,038,309 B2 10/2011 Yang
8,226,877 B2 7/2012 Fischer
8,418,344 B1 4/2013 Letney
D686,385 S 7/2013 Letney
D691,511 S * 10/2013 Macumber D11/96
D715,683 S 10/2014 Letney
D715,684 S 10/2014 Letney
D729,113 S * 5/2015 Yatsugi-Kang D11/79
RE45,622 E * 7/2015 Kroll D6/674

2010/0012661 A1 1/2010 Chou
2010/0087120 A1 4/2010 Norman
2014/0363589 A1 12/2014 Letney

OTHER PUBLICATIONS

shopinspiration.com, "1-The Unity Cross"; Jun. 6, 2007; <http://web.archive.org/web/20110607151852/http://shopinspiration.com/1-The-Unity-Cross-792119900301.htm> Country where published: United States.

* cited by examiner

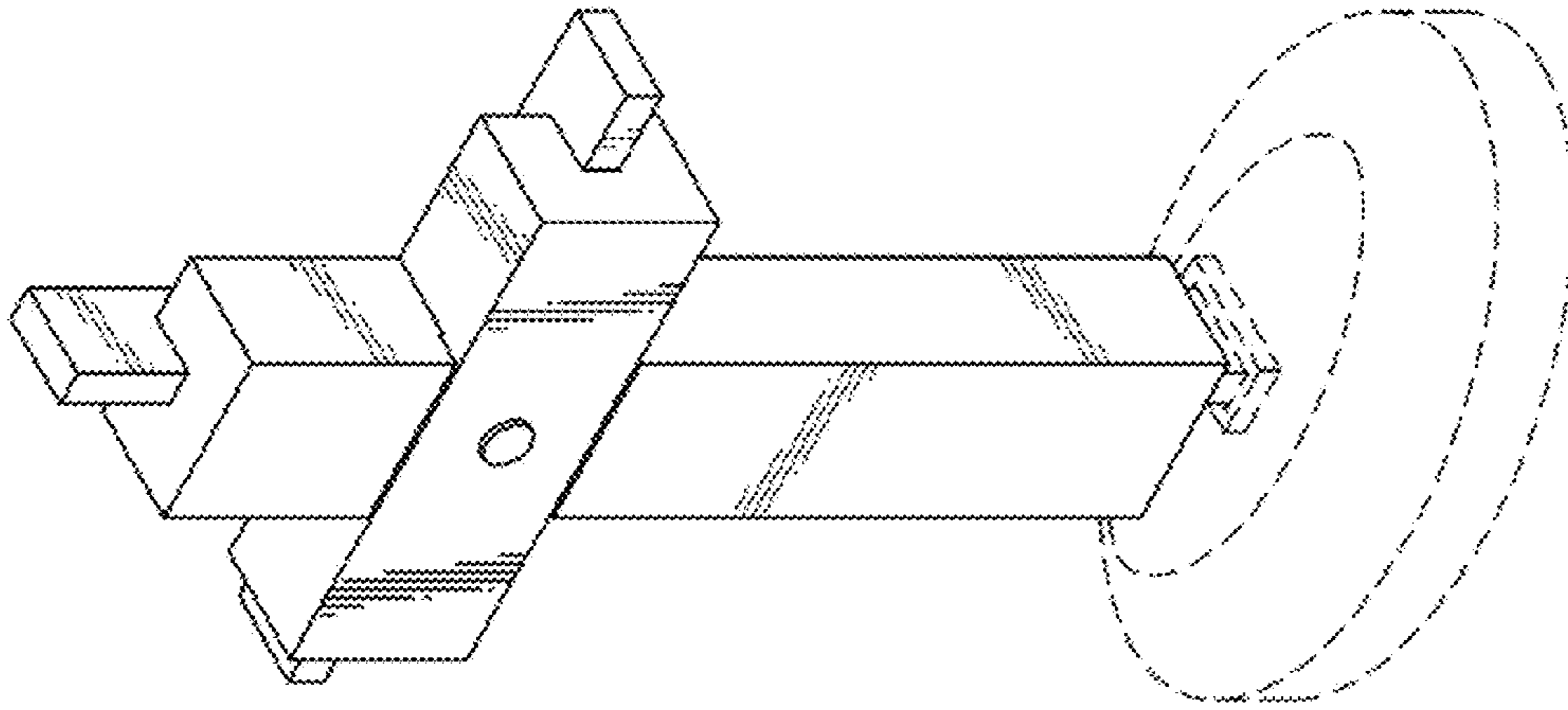


FIG. 2

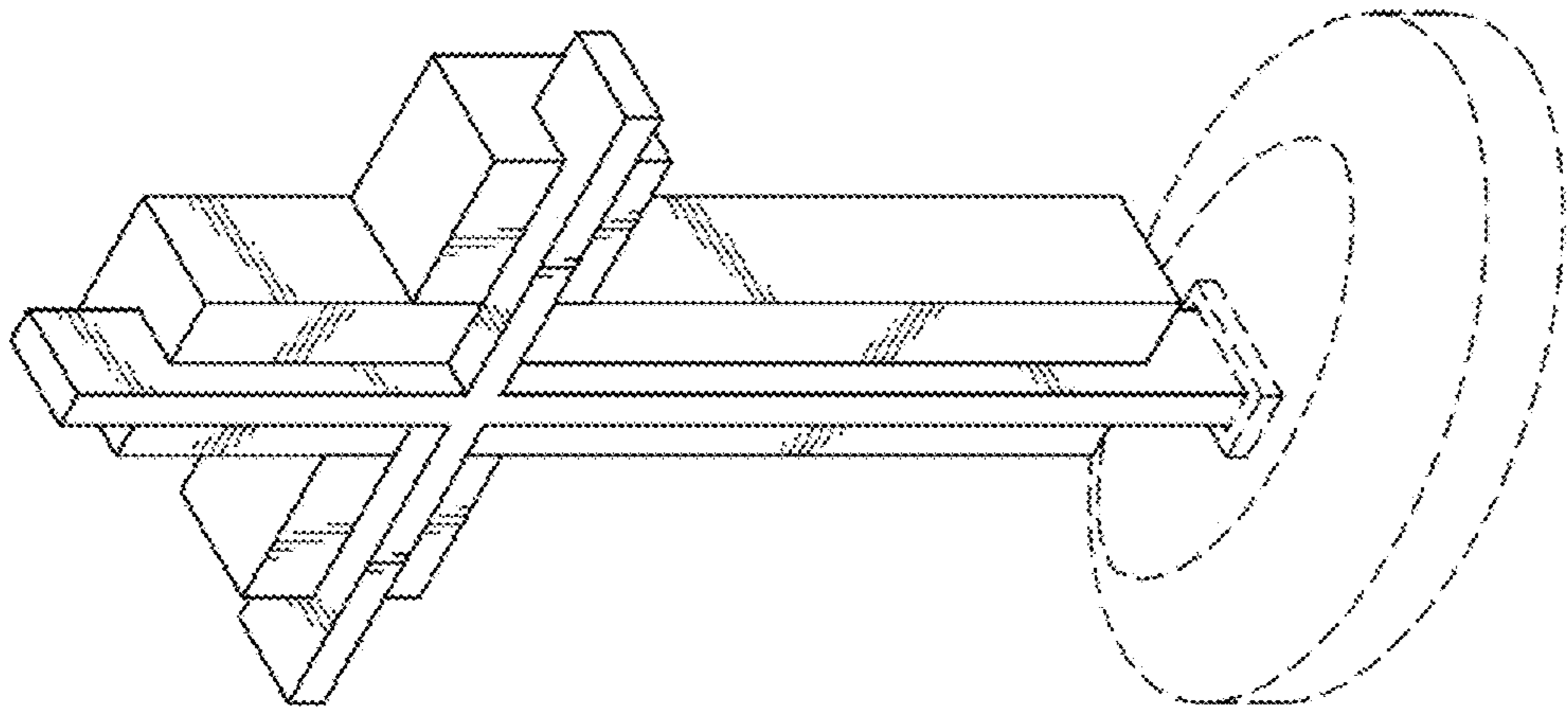


FIG. 1

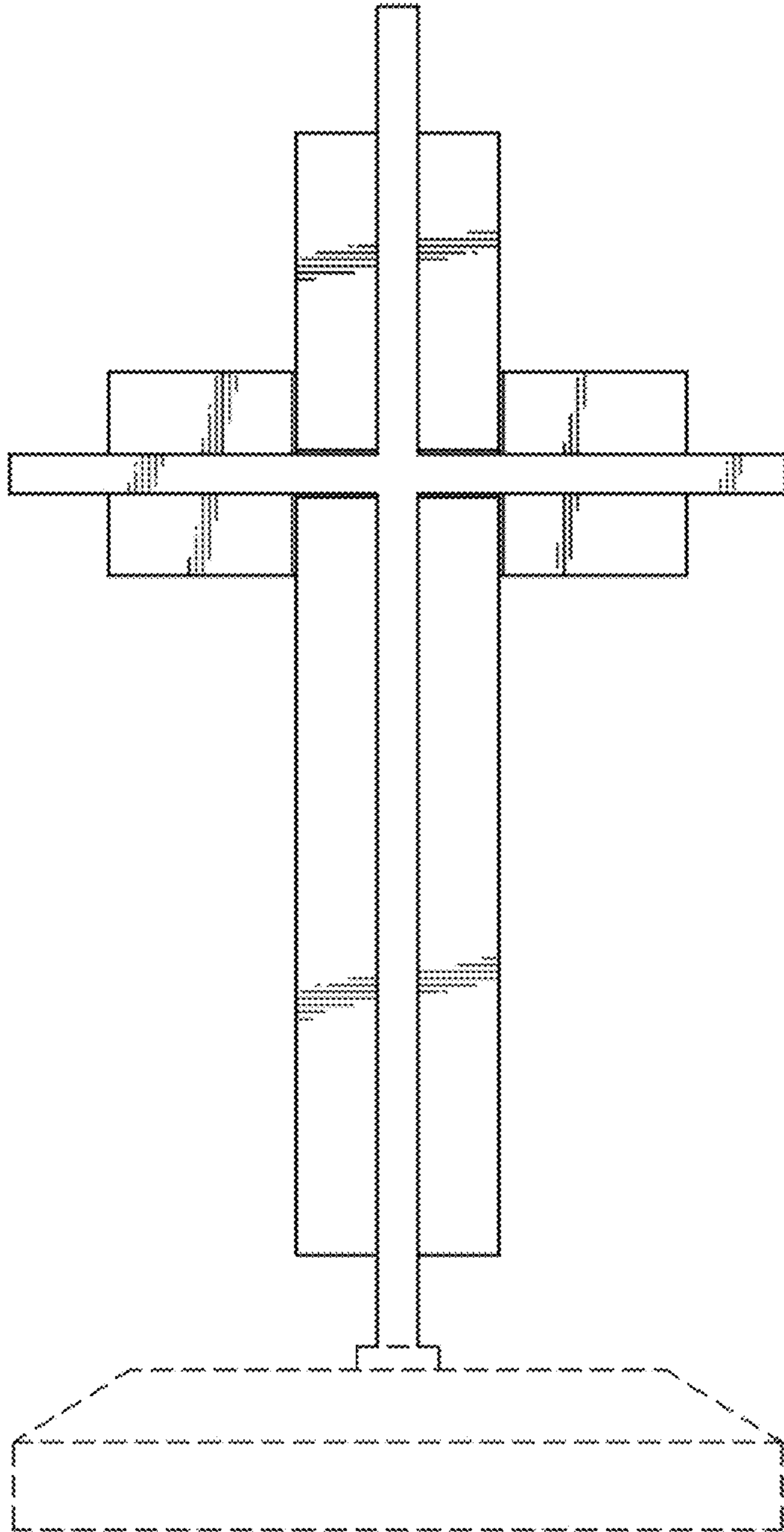


FIG. 3

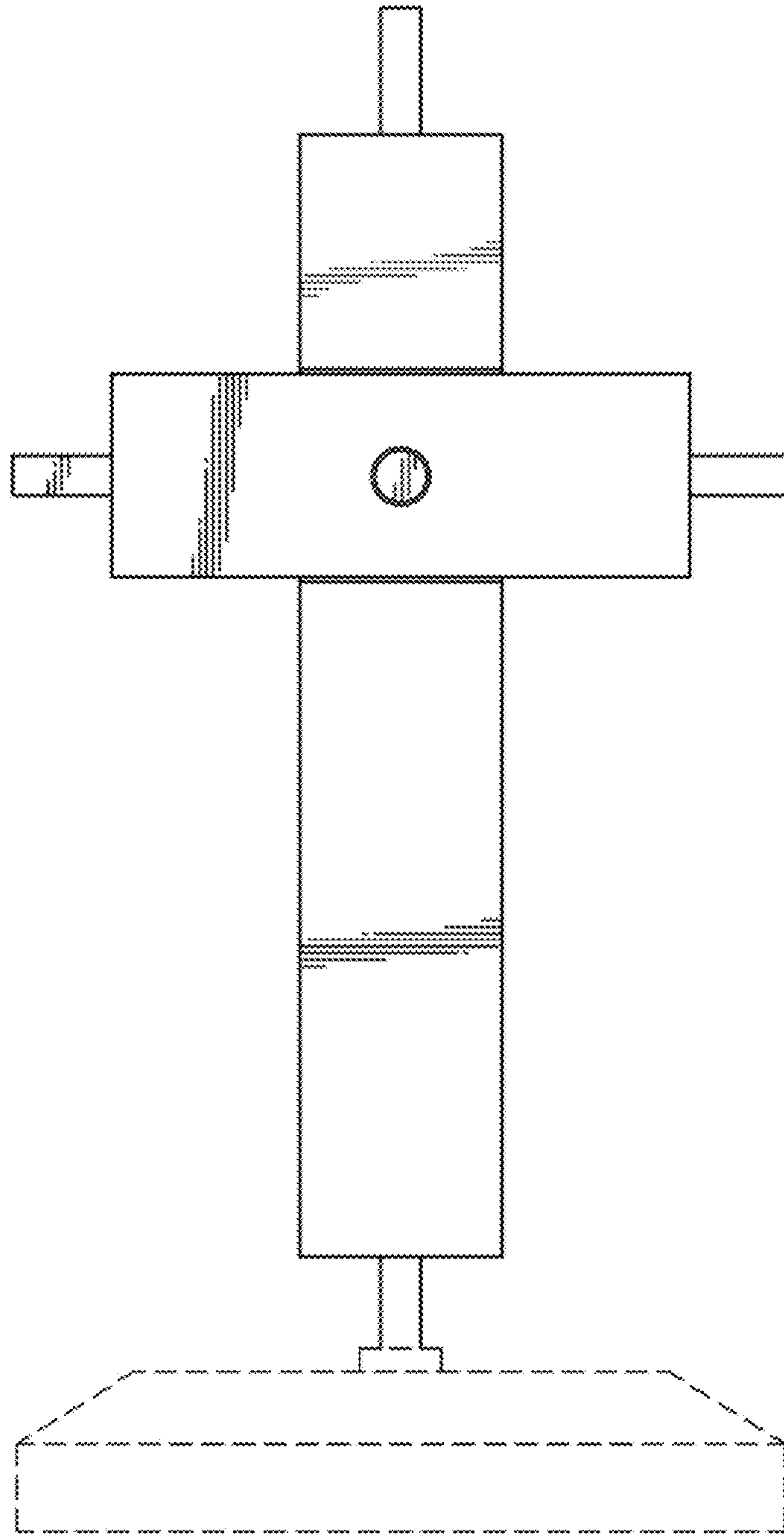


FIG. 4

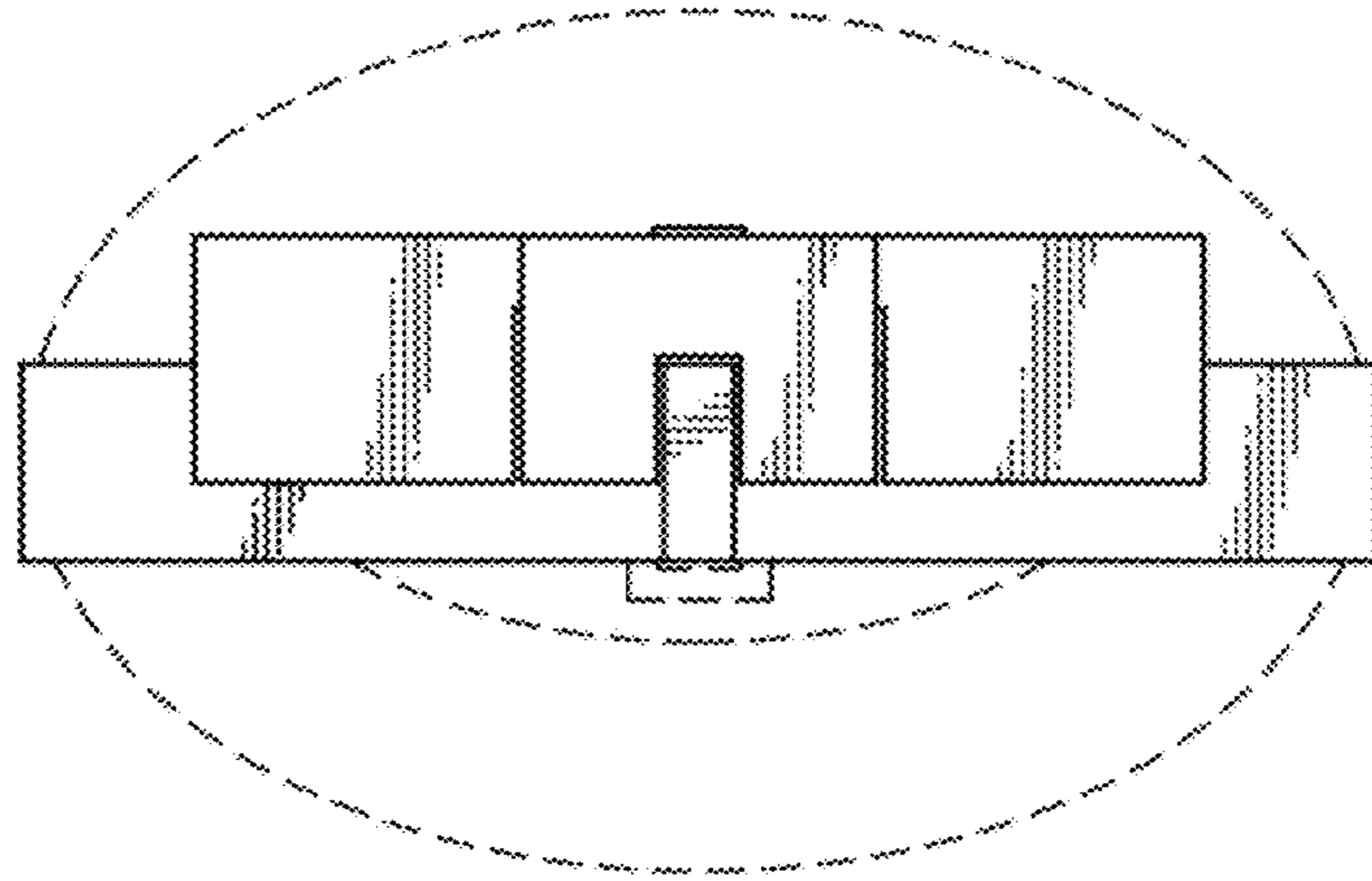


FIG. 5

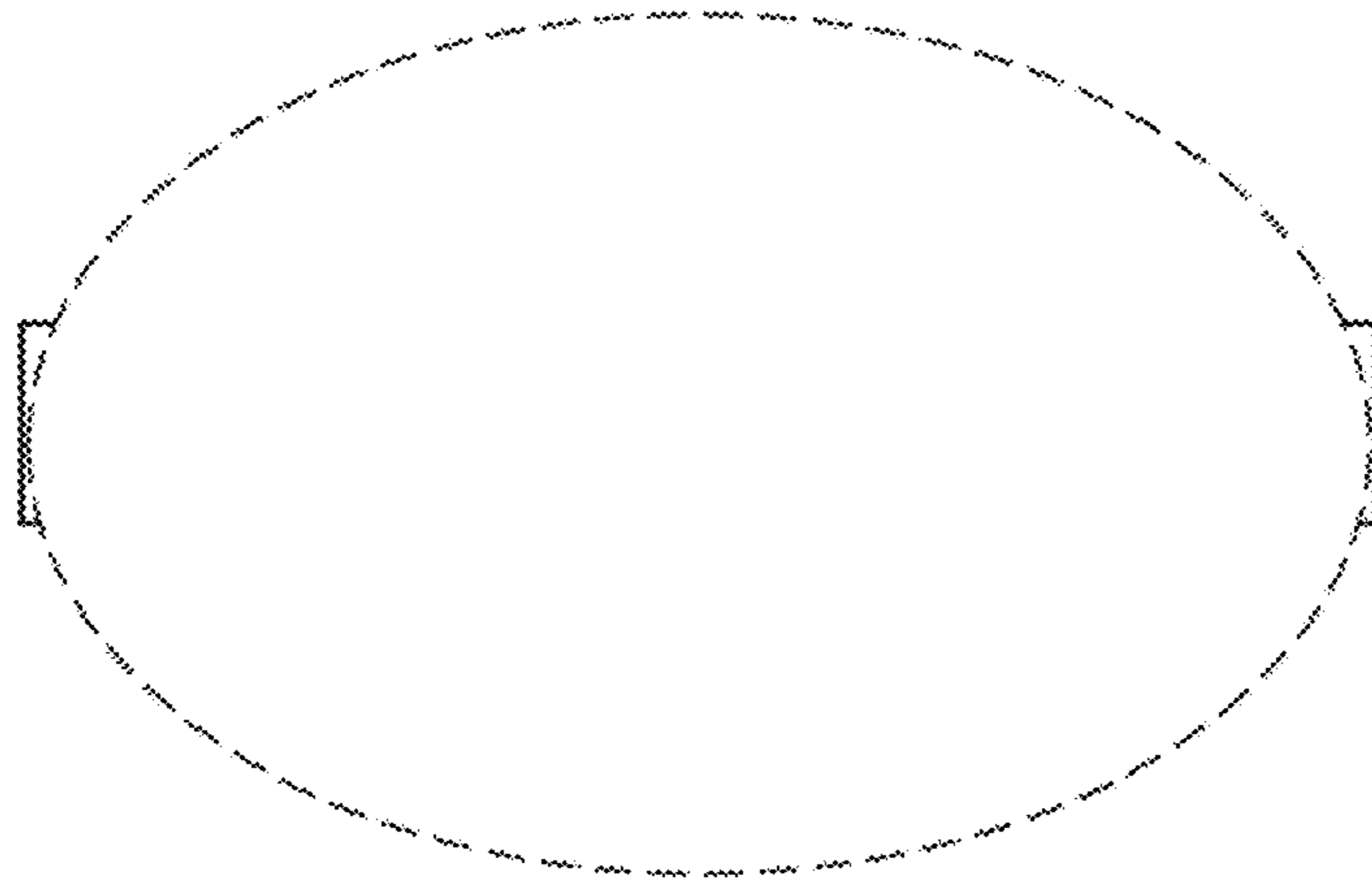


FIG. 6

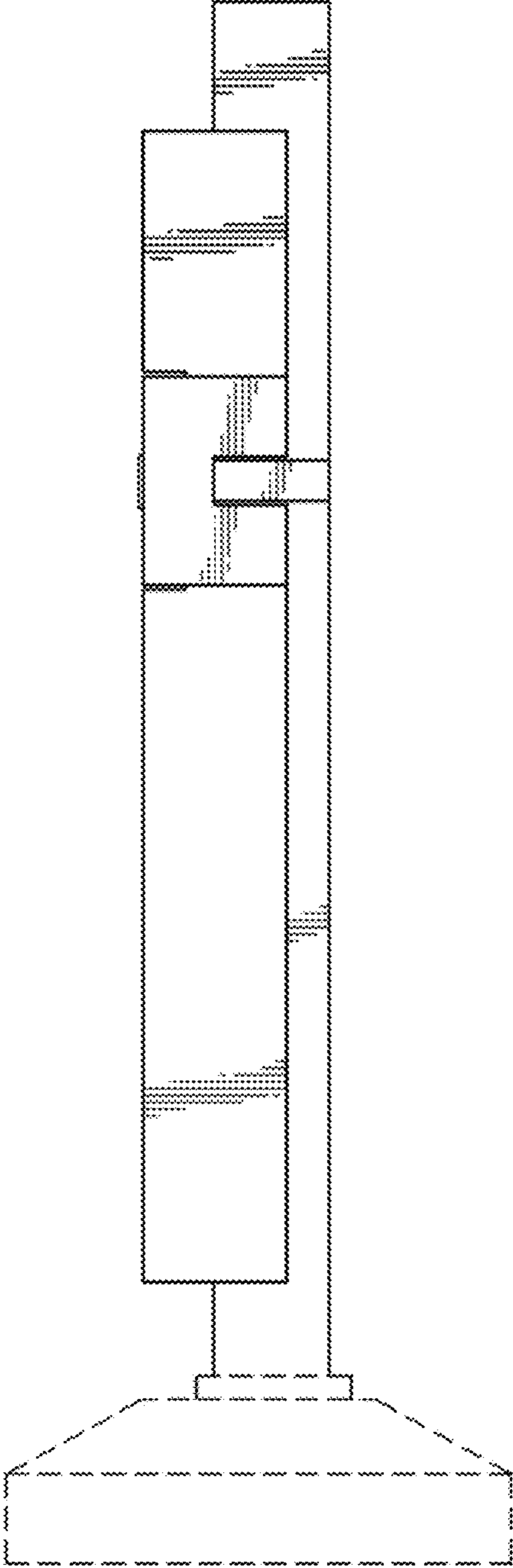


FIG. 7