

US00D766768S

(12) **United States Design Patent** (10) **Patent No.:** **US D766,768 S**
Goodman et al. (45) **Date of Patent:** **** Sep. 20, 2016**

(54) **WATCH COMPONENT**
(71) Applicant: **Oakley, Inc.**, Foothill Ranch, CA (US)
(72) Inventors: **Christopher Goodman**, Ladera Ranch, CA (US); **Hans Karsten Moritz**, Foothill Ranch, CA (US)
(73) Assignee: **Oakley, Inc.**, Foothill Ranch, CA (US)
(**) Term: **14 Years**
(21) Appl. No.: **29/512,722**
(22) Filed: **Dec. 22, 2014**

D247,103 S 1/1978 Lossini
D279,172 S 6/1985 Hysek
D294,683 S 3/1988 Perrin
D294,806 S 3/1988 Perrin
D295,841 S 5/1988 Kano
D301,986 S 7/1989 Hysek
D303,504 S 9/1989 Hysek

(Continued)

OTHER PUBLICATIONS

[Online] <https://s-media-cache-ak0.pinimg.com/736x/67/df/28/67df2807a73a416844d6837c2ab25c34.jpg>. Retrieved May 26, 2016.*

Primary Examiner — Garth Rademaker
Assistant Examiner — Melanie Pellegrini
(74) *Attorney, Agent, or Firm* — Knobbe, Martens, Olson & Bear, LLP

Related U.S. Application Data

(62) Division of application No. 29/387,695, filed on Mar. 16, 2011, now Pat. No. Des. 719,851.
(51) **LOC (10) Cl.** **11-01**
(52) **U.S. Cl.**
USPC **D11/3**
(58) **Field of Classification Search**
USPC D11/1-26; D10/70, 98, 30, 31, 32, 38; D24/167; D14/344
CPC A44C 5/00; A44C 5/0007; A44C 5/0015; A44C 5/0023; A44C 5/003; A44C 5/0038; A44C 5/0053; A44C 5/0061; A44C 5/0069; A44C 5/0076; A44C 5/0084; A44C 5/0092; A44C 5/20; A61B 5/02405
See application file for complete search history.

(57) **CLAIM**

The ornamental design for a watch component, as shown and described.

DESCRIPTION

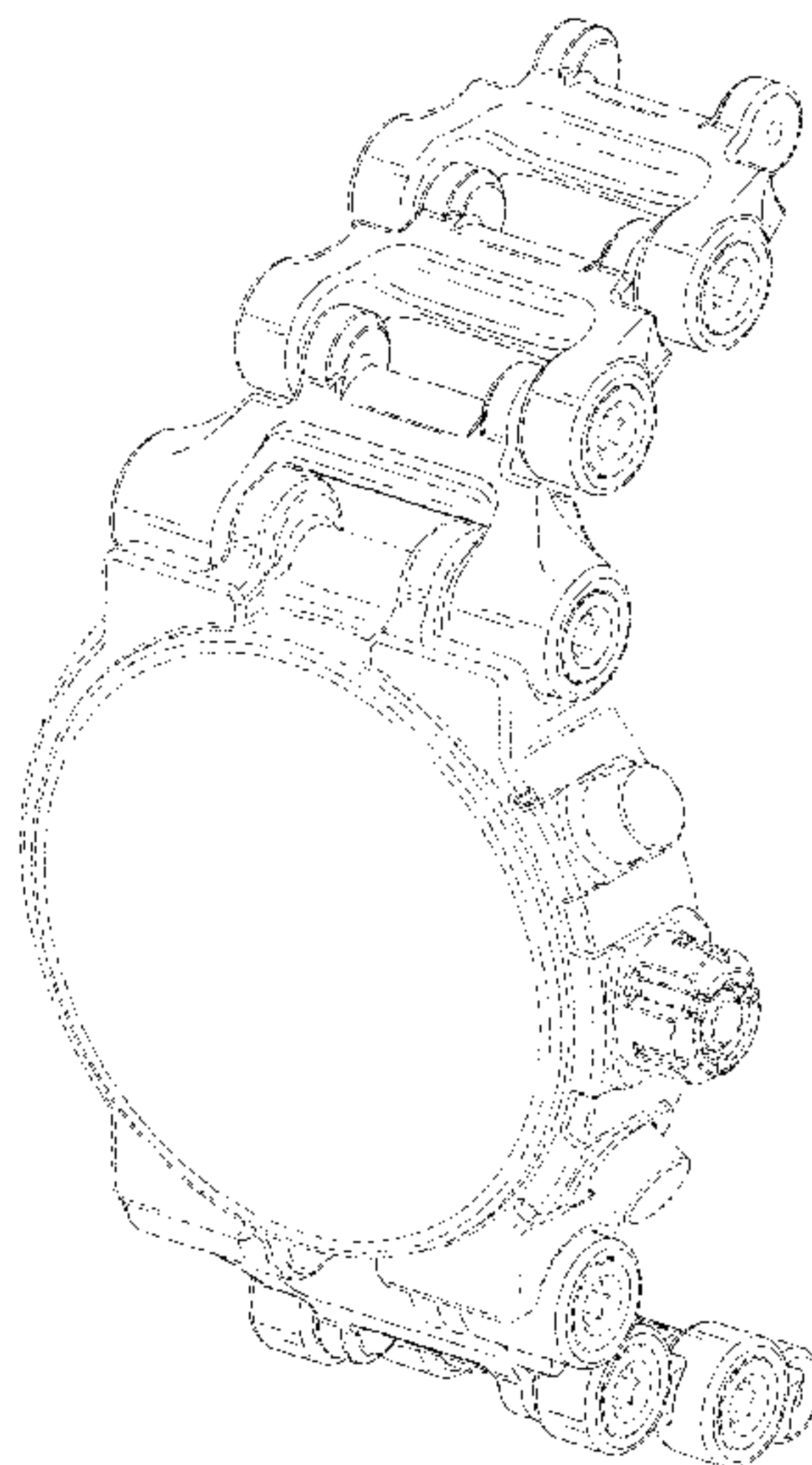
FIG. 1 is a front perspective view of a watch component of the present invention;
FIG. 2 is a front elevational view of the watch component of FIG. 1;
FIG. 3 is a rear elevational view of the watch component of FIG. 1;
FIG. 4 is a right side elevational view of the watch component of FIG. 1;
FIG. 5 is a left side elevational view of the watch component of FIG. 1;
FIG. 6 is a top plan view of the watch component of FIG. 1; and,
FIG. 7 is a bottom plan view of the watch component of FIG. 1.
The broken lines shown in the drawings represent portions of a watch which form no part of the claimed design.

(56) **References Cited**

U.S. PATENT DOCUMENTS

892,965 A * 7/1908 Sevcik F16G 13/02 474/224
1,598,250 A 8/1926 Person
2,143,703 A 12/1937 Kestenman
2,954,665 A 10/1960 Panerai et al.
D224,602 S 8/1972 Poon
D246,830 S 1/1978 Lossini

1 Claim, 4 Drawing Sheets



(56)

References Cited

U.S. PATENT DOCUMENTS

D318,237 S	7/1991	Hysek	D444,075 S	6/2001	Lepeu et al.
D320,946 S	10/1991	Crocco	D444,078 S	6/2001	Strasser
D350,072 S	8/1994	Hitter	D447,063 S	8/2001	Scheufele
D353,340 S	12/1994	Burgener	D447,065 S	8/2001	Baumann
D354,919 S	1/1995	Wunderman	D452,175 S	12/2001	Finazzi
D361,285 S	8/1995	Bulgari	D460,698 S	7/2002	Jamin
D362,192 S	9/1995	Hitter	D486,404 S	2/2004	Shriqui
D365,767 S	1/1996	Hitter	D519,854 S	5/2006	Modolo
D377,150 S	1/1997	Hartzband	D535,199 S	1/2007	Lassigne
D378,062 S	2/1997	Bulgari	D536,627 S	2/2007	Behling
D378,063 S	2/1997	Bulgari	D556,604 S	12/2007	Yee et al.
D383,083 S	9/1997	Ludvig	D557,619 S	12/2007	Moritz
D392,902 S	3/1998	Mouawad	D563,802 S	3/2008	Loth
D401,513 S	11/1998	Coquerel	D569,741 S	5/2008	Satou et al.
D410,853 S	6/1999	Bulgari	D574,263 S	8/2008	Loth
D413,273 S	8/1999	Hartzband	D574,734 S	8/2008	Loth
D415,432 S	10/1999	Cattin	D579,790 S	11/2008	Yee et al.
D416,815 S	11/1999	Hartzband	D585,308 S	1/2009	Loth
D425,799 S	5/2000	Hysek	D585,768 S	2/2009	Loth
D430,042 S	8/2000	Schopfer	D586,238 S	2/2009	Loth
D431,475 S	10/2000	Rabassa	D590,728 S	4/2009	Moritz
D438,813 S	3/2001	Yellen	D595,156 S	6/2009	Moritz
6,200,019 B1	3/2001	Latini	D598,301 S	8/2009	Moritz
D440,887 S	4/2001	Tripet	D598,302 S	8/2009	Moritz
D443,833 S	6/2001	Lepeu et al.	D600,572 S	9/2009	Yee
D443,843 S	6/2001	Schopfer	D610,473 S	2/2010	Goodman
			D622,619 S	8/2010	Goodman
			D717,179 S *	11/2014	Sasaki D10/32

* cited by examiner

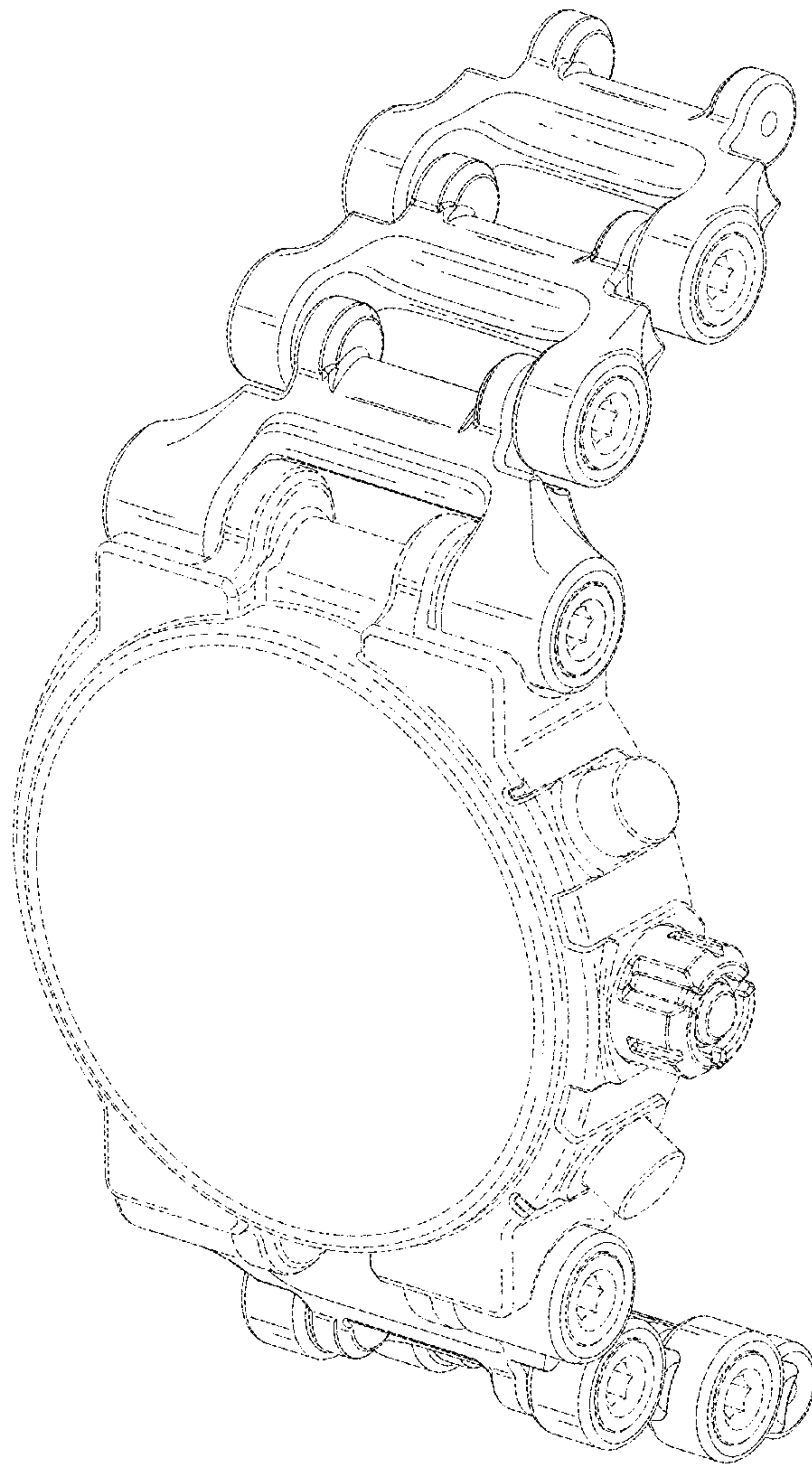


FIG. 1

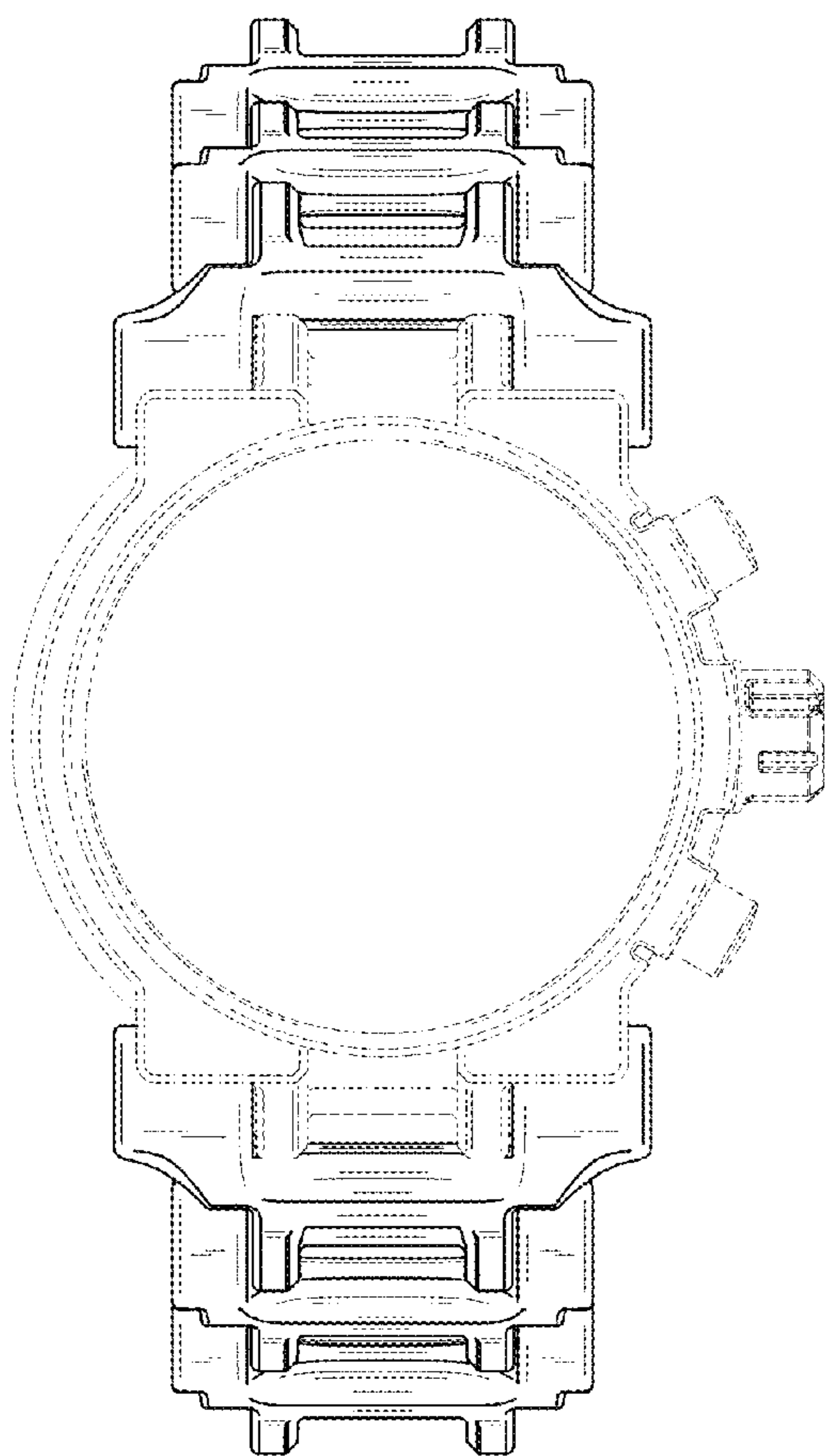


FIG. 2

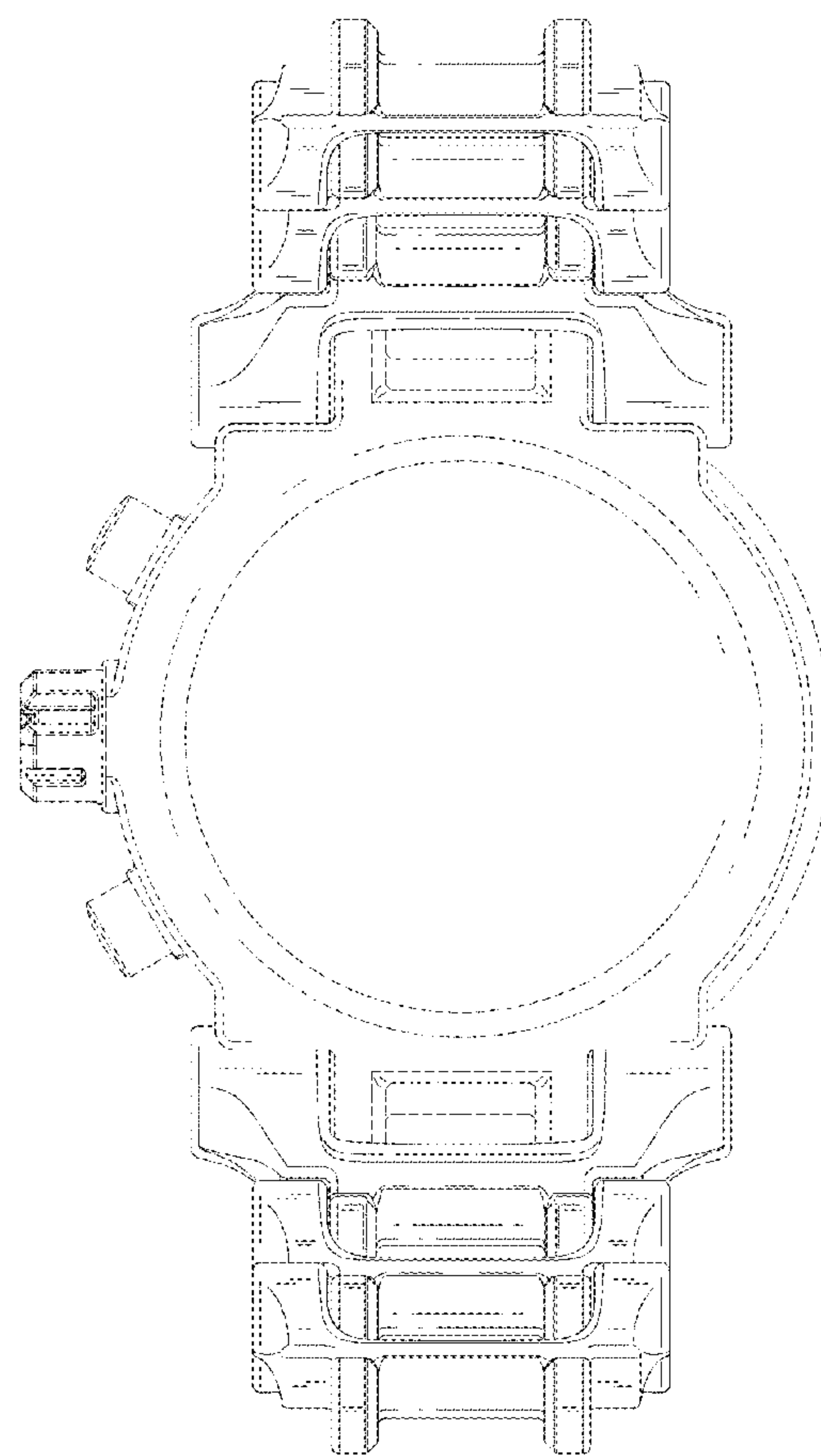


FIG. 3

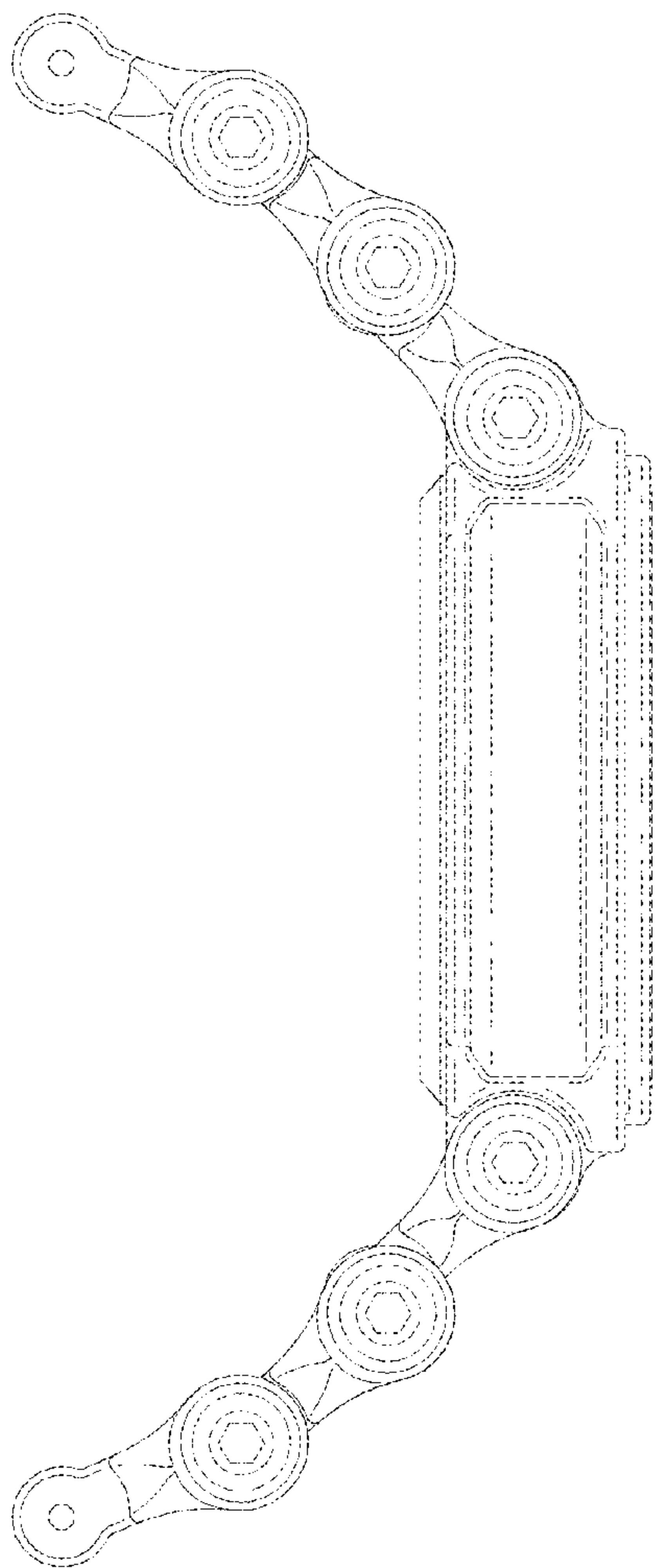


FIG. 4

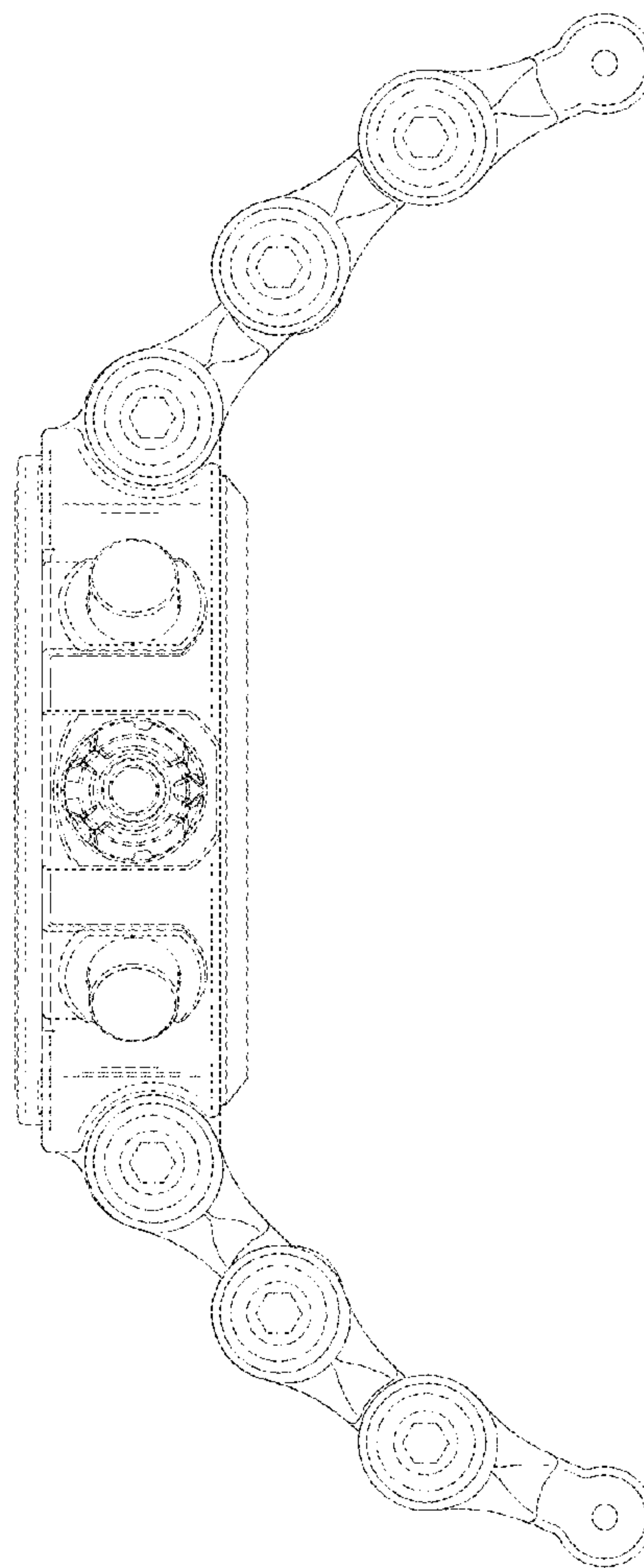


FIG. 5

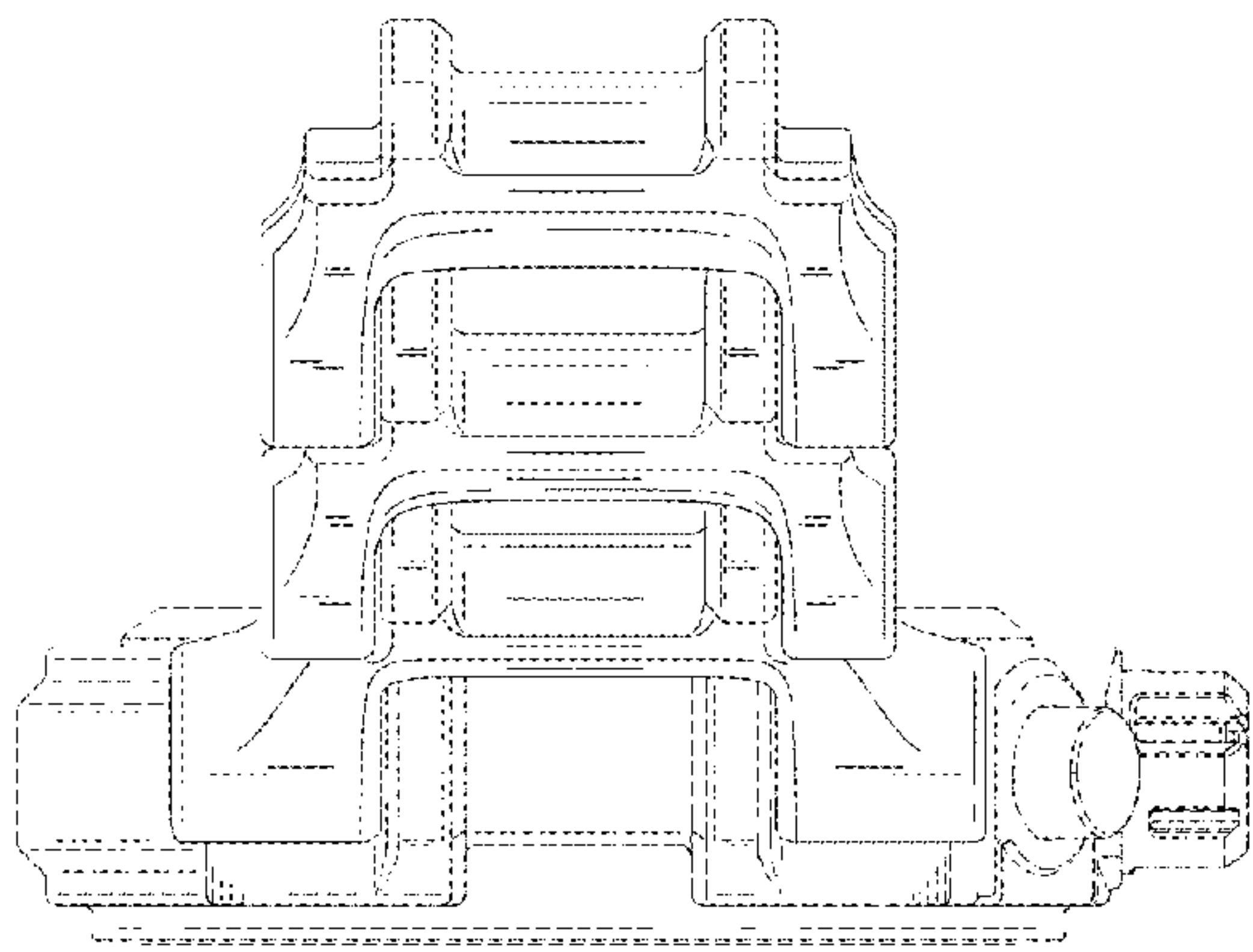


FIG. 6

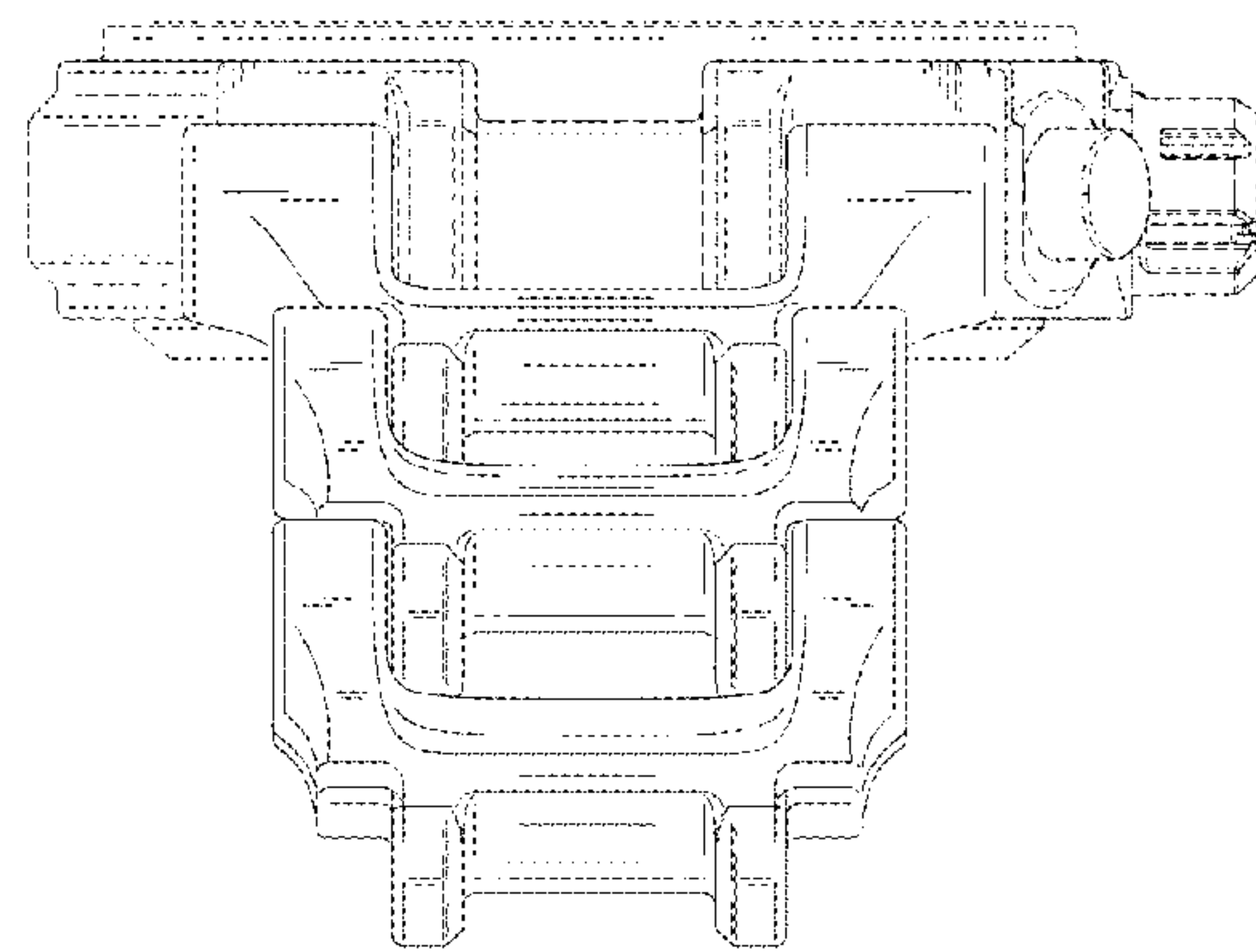


FIG. 7