



US00D766764S

(12) **United States Design Patent**
Little

(10) **Patent No.:** **US D766,764 S**

(45) **Date of Patent:** **** Sep. 20, 2016**

(54) **DIGITAL SCALE**

D653,135 S * 1/2012 Sheikh D10/89

8,884,170 B2 * 11/2014 Sheikh G01G 19/414

177/148

D743,283 S * 11/2015 Sheikh D10/89

(71) Applicant: **DG International Holdings Limited**,
London (GB)

(72) Inventor: **Simon Little**, Enfield (GB)

(73) Assignee: **DG International Holdings Limited**,
London (GB)

(**) Term: **15 Years**

(21) Appl. No.: **29/534,534**

(22) Filed: **Jul. 29, 2015**

(30) **Foreign Application Priority Data**

Apr. 21, 2015 (EM) 002686063

Apr. 28, 2015 (GB) 4040680

(51) **LOC (10) Cl.** **10-04**

(52) **U.S. Cl.**

USPC **D10/89**

(58) **Field of Classification Search**

USPC D10/89

CPC G01G 19/14; G01G 19/16; G01G 19/18;

G01G 19/20

See application file for complete search history.

(56) **References Cited**

U.S. PATENT DOCUMENTS

D575,178 S * 8/2008 Thybulle D10/89

D575,179 S * 8/2008 Thybulle D10/89

* cited by examiner

Primary Examiner — Antoine D Davis

(74) *Attorney, Agent, or Firm* — Blank Rome LLP

(57) **CLAIM**

The ornamental design for a digital scale, as shown and described.

DESCRIPTION

FIG. 1 is a front side view of the digital scale.

FIG. 2 is a left view thereof.

FIG. 3 is a right view thereof.

FIG. 4 is a rear view thereof.

FIG. 5 is a top view thereof.

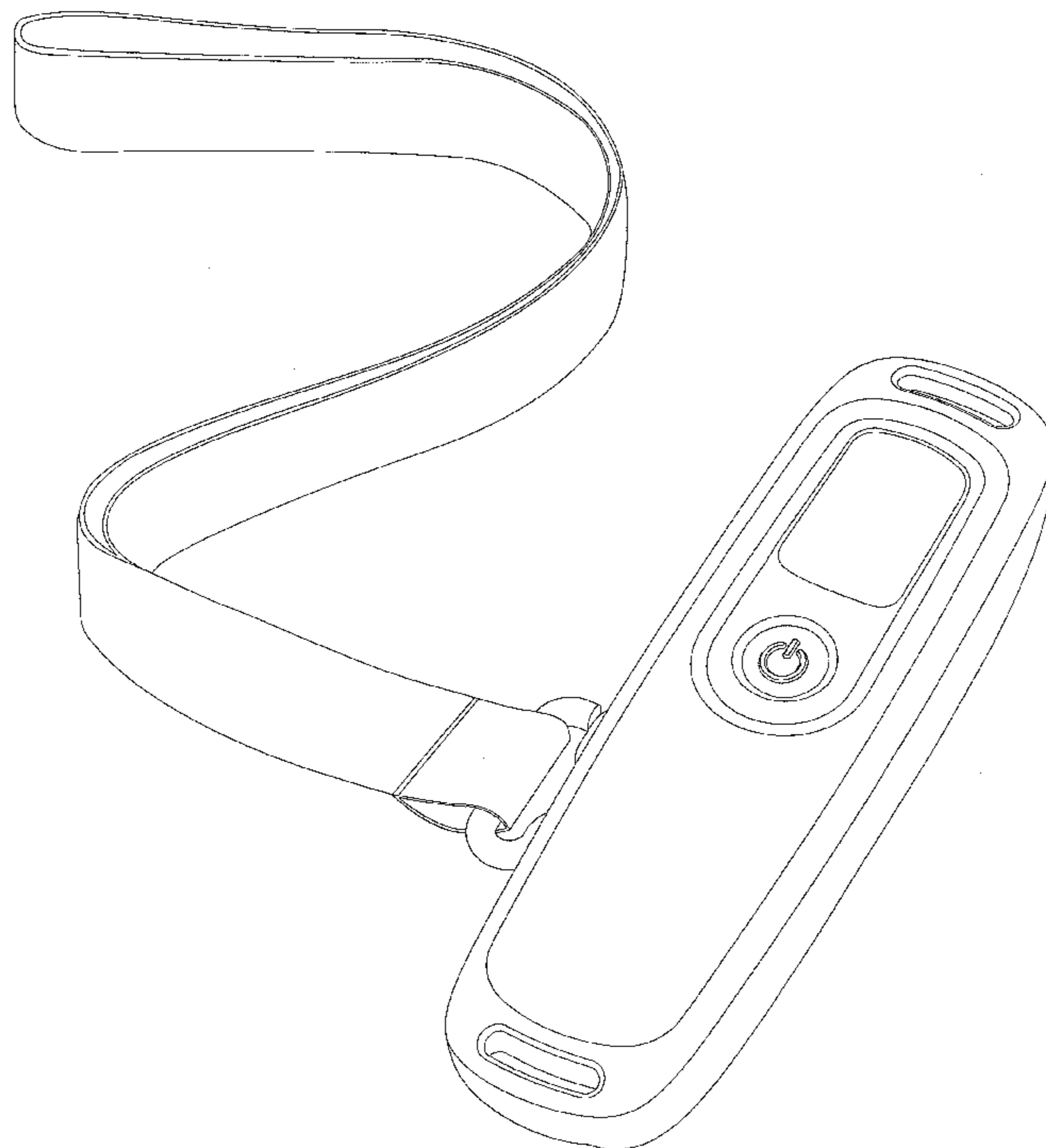
FIG. 6 is a bottom view thereof.

FIG. 7 is a perspective view thereof; and,

FIG. 8 is a left view thereof, with a strap wrapped around the digital scale.

The strap has been eliminated for ease of illustration in FIGS. 1-7.

1 Claim, 8 Drawing Sheets



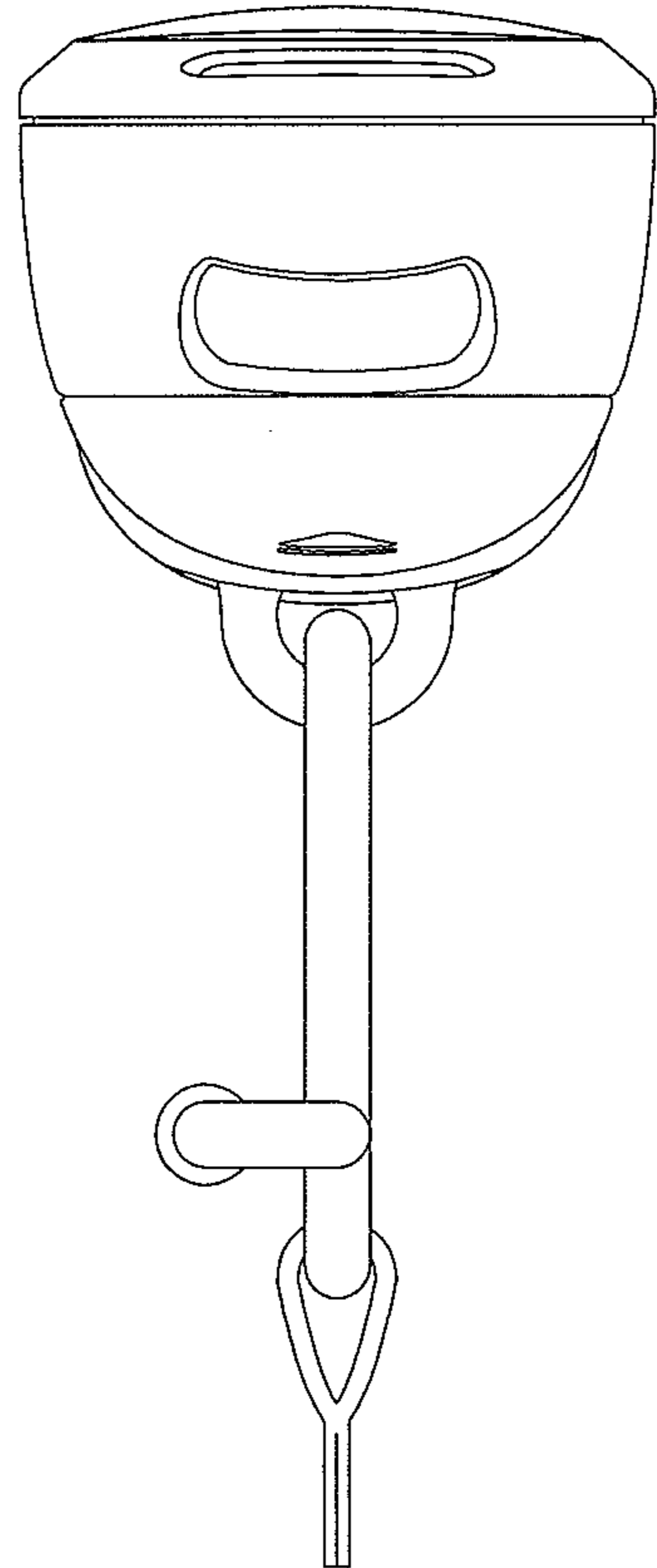


FIG. 1

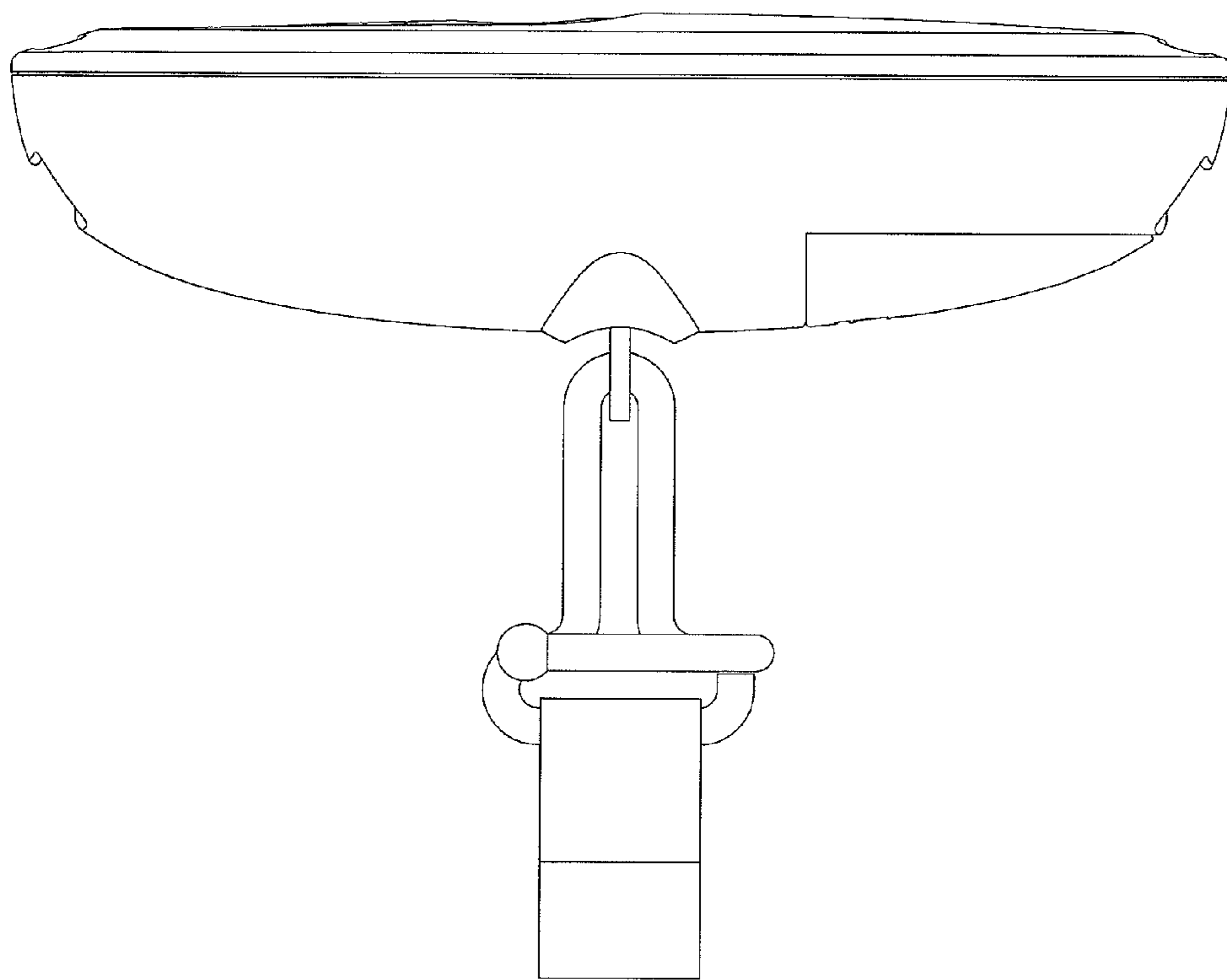


FIG. 2

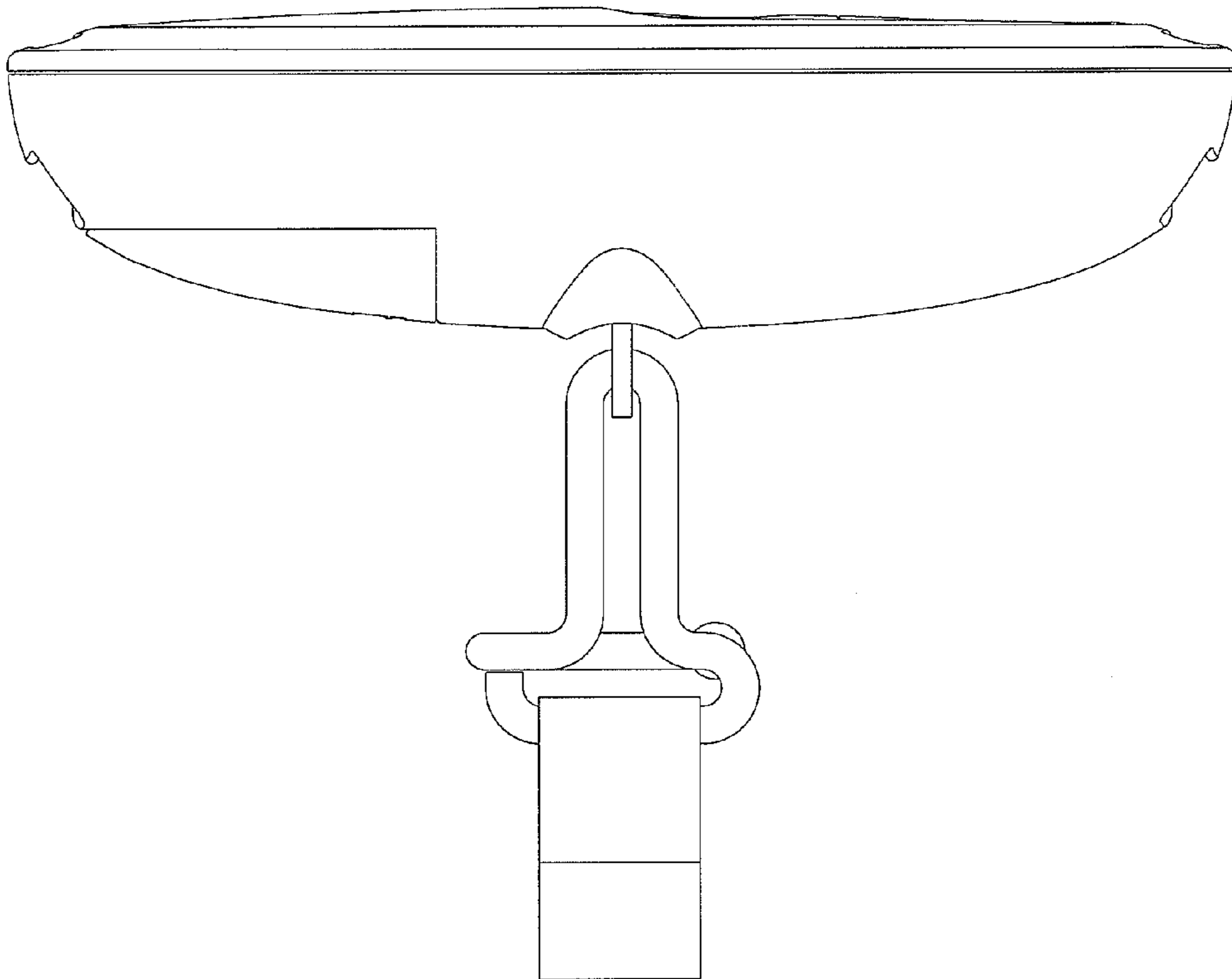


FIG. 3

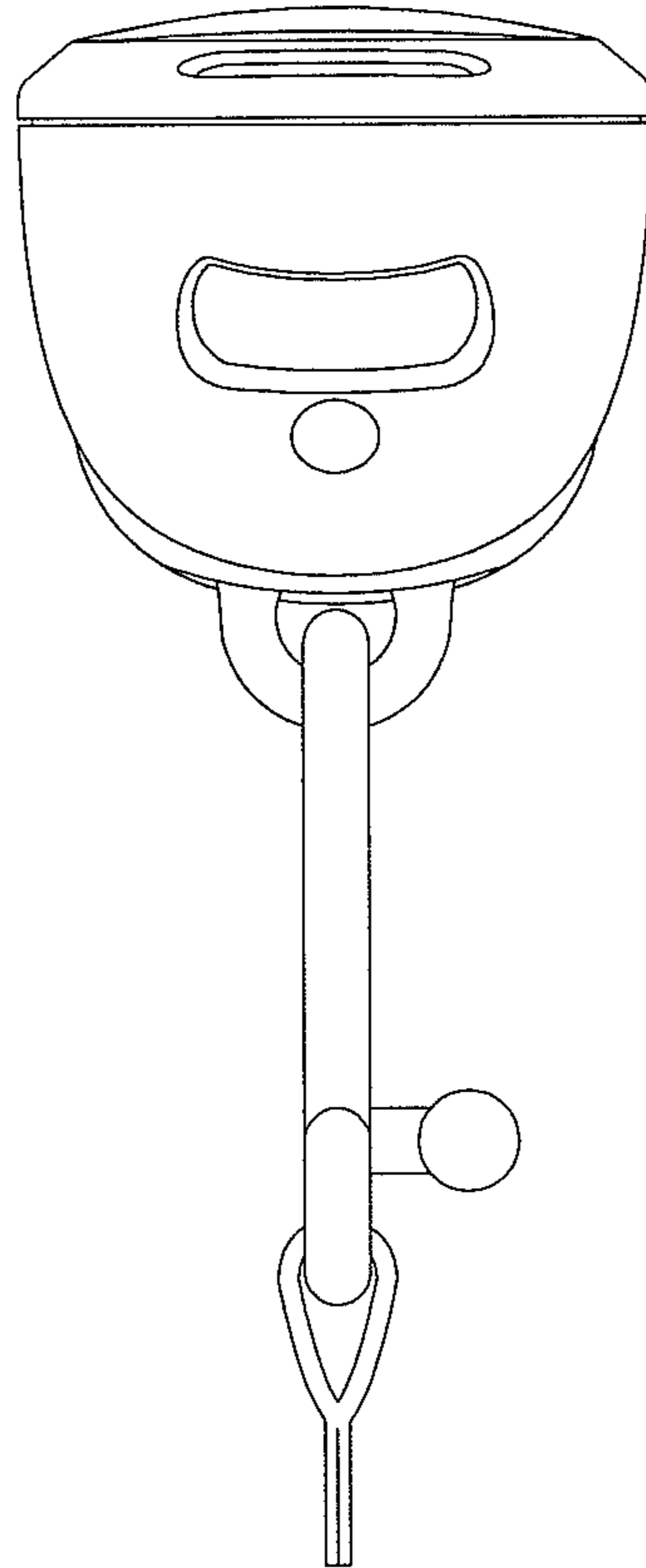


FIG. 4

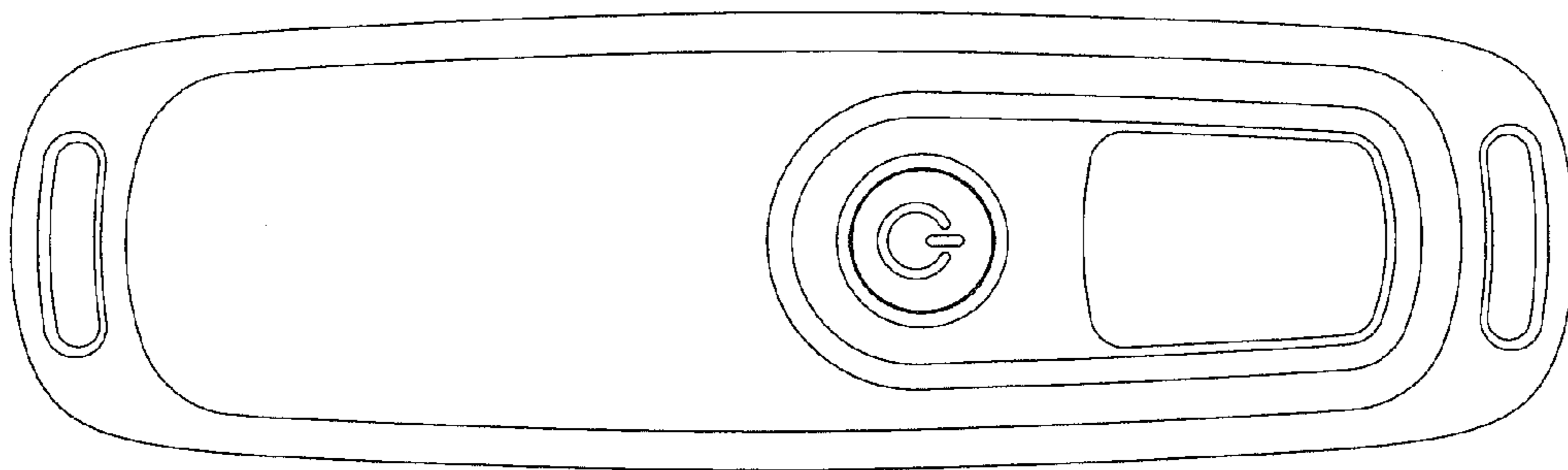


FIG. 5

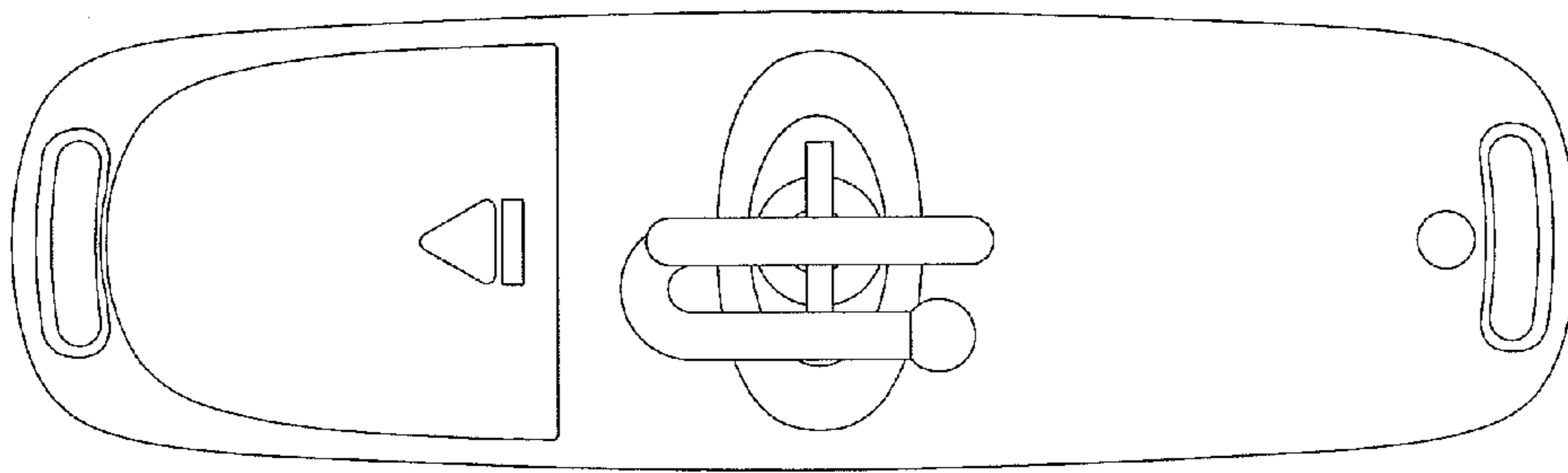


FIG. 6

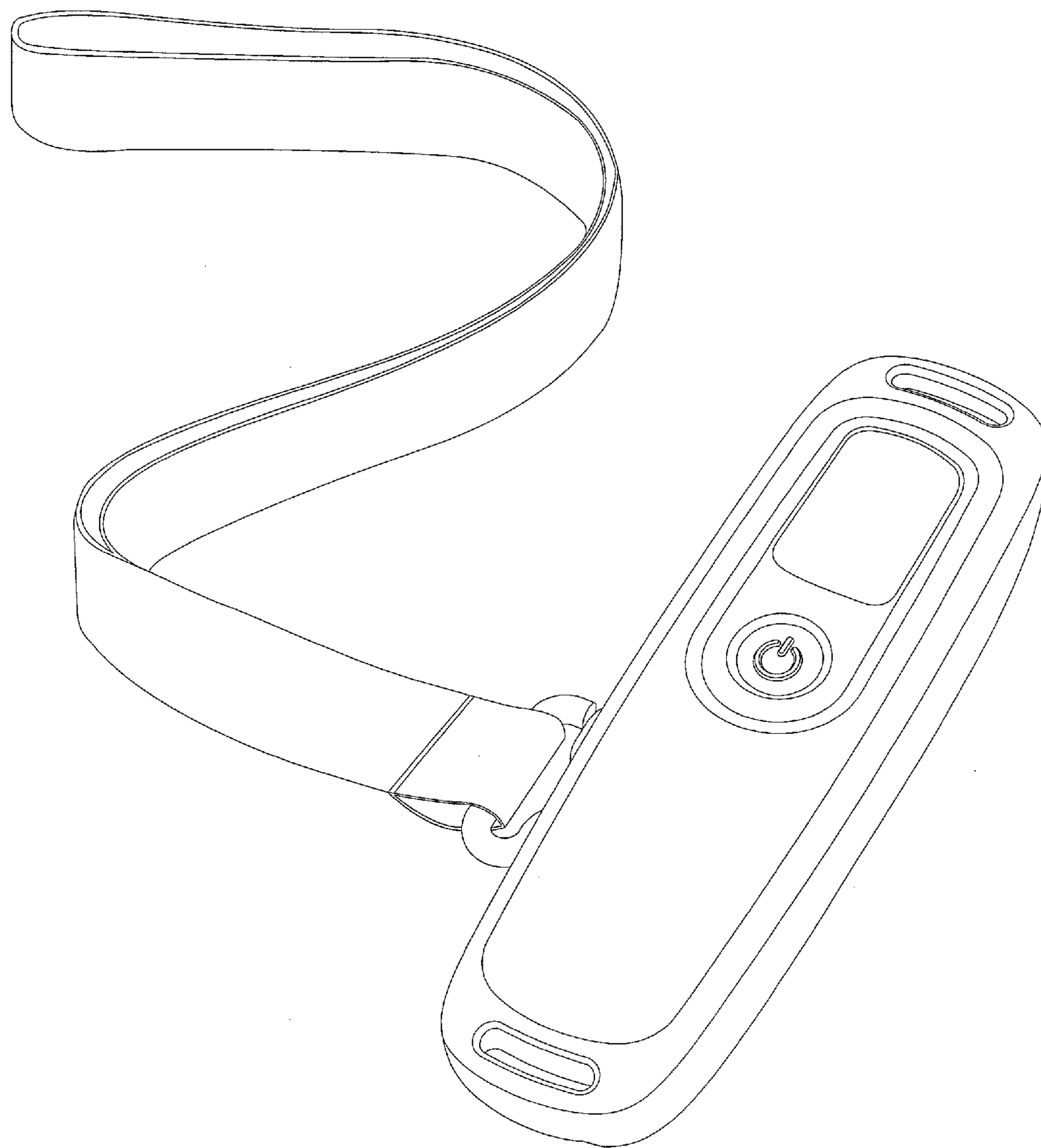


FIG. 7

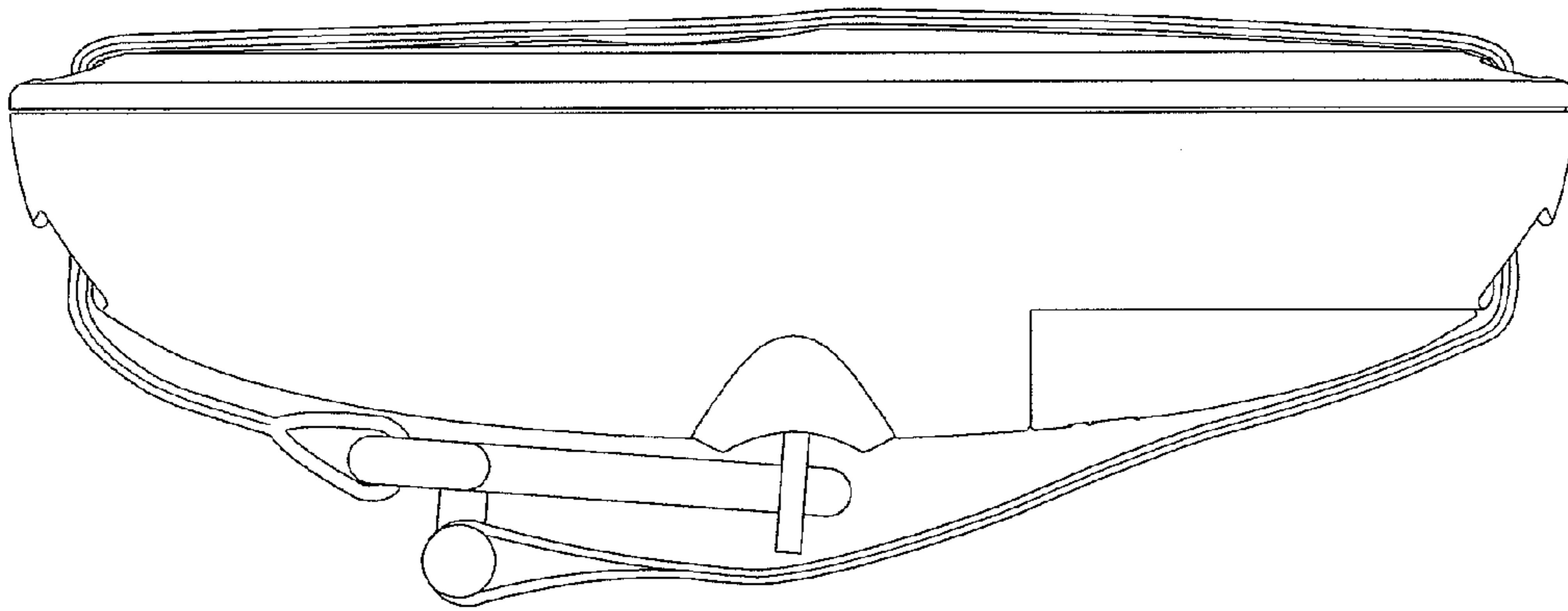


FIG. 8