

US00D766763S

(12) **United States Design Patent** (10) **Patent No.:** **US D766,763 S**  
**Hamabe et al.** (45) **Date of Patent:** **\*\* Sep. 20, 2016**

(54) **PRESSURE DETECTOR**

H01H 2202/002; H01H 2231/012  
See application file for complete search history.

(71) Applicant: **Kabushiki Kaisha Saginomiya**  
**Seisakusho**, Tokyo (JP)

(56) **References Cited**

U.S. PATENT DOCUMENTS

(72) Inventors: **Yoshihiro Hamabe**, Saitama (JP);  
**Satoshi Miyakawa**, Saitama (JP);  
**Kenichi Matsuyama**, Saitama (JP)

5,149,927 A *	9/1992	Stahly .....	H01H 35/343 200/83 J
5,189,269 A *	2/1993	Stahly .....	H01H 35/34 200/83 P
D643,761 S	8/2011	Kanazaki et al.	
D643,762 S	8/2011	Hondoh	
D658,082 S *	4/2012	Takatsuki .....	D10/85
D737,704 S	9/2015	Miyakawa et al.	
D739,282 S	9/2015	Miyakawa et al.	

(73) Assignee: **Kabushiki Kaisha Saginomiya**  
**Seisakusho**, Tokyo (JP)

(\*\*) Term: **15 Years**

\* cited by examiner

(21) Appl. No.: **29/542,032**

*Primary Examiner* — Antoine D Davis  
(74) *Attorney, Agent, or Firm* — Reising Ethington P.C.

(22) Filed: **Oct. 9, 2015**

(57) **CLAIM**  
We claim the ornament design of a pressure detector, as shown in the attached drawings and described.

(30) **Foreign Application Priority Data**

**DESCRIPTION**

Apr. 9, 2015 (JP) ..... 2015-008028

(51) **LOC (10) Cl.** ..... **10-04**

(52) **U.S. Cl.**  
USPC ..... **D10/85**

(58) **Field of Classification Search**  
USPC ..... D10/85  
CPC ..... F16L 13/14; F16L 17/02; H01H 35/34;

FIG. 1 is a front view;  
FIG. 2 is a right-side view;  
FIG. 3 is a plane view;  
FIG. 4 is a bottom view; and,  
FIG. 5 is a perspective view when viewed front and right-side top.  
This article is a pressure detector which is used on a refrigerator and an air-conditioning machine.

**1 Claim, 3 Drawing Sheets**

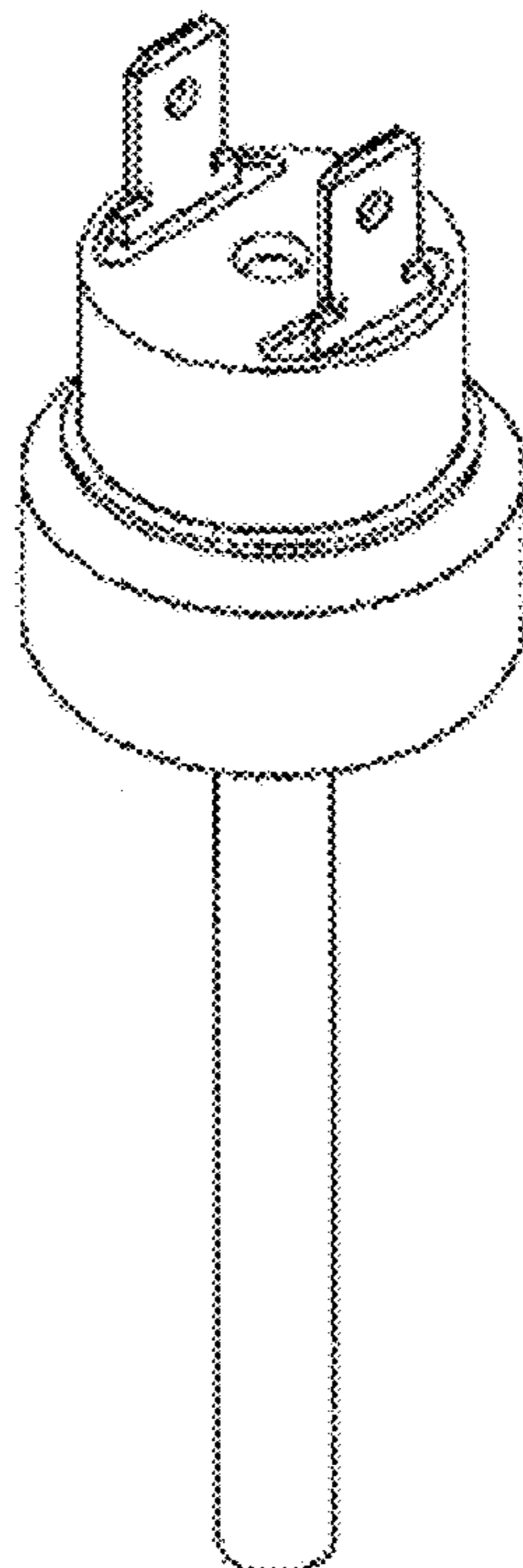


Figure 1

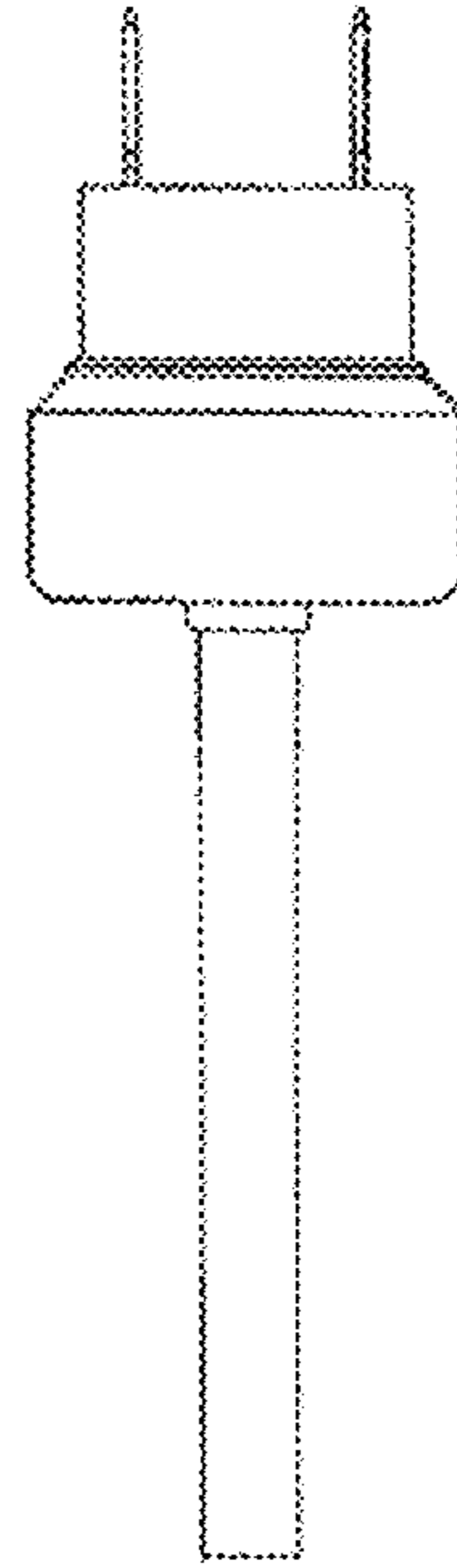


Figure 2

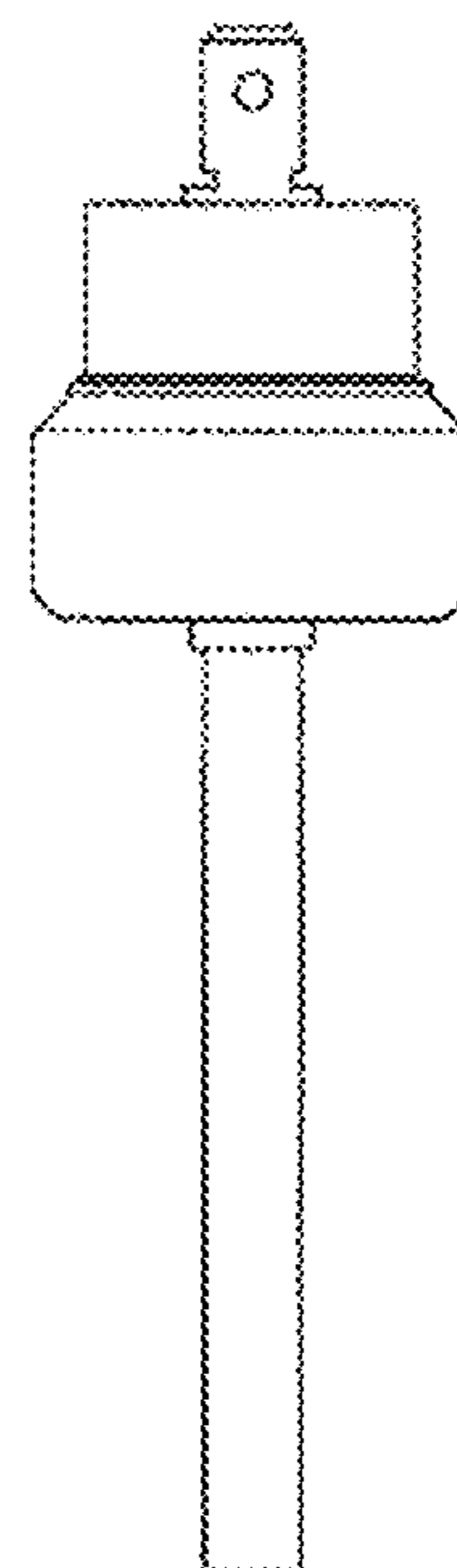


Figure 3

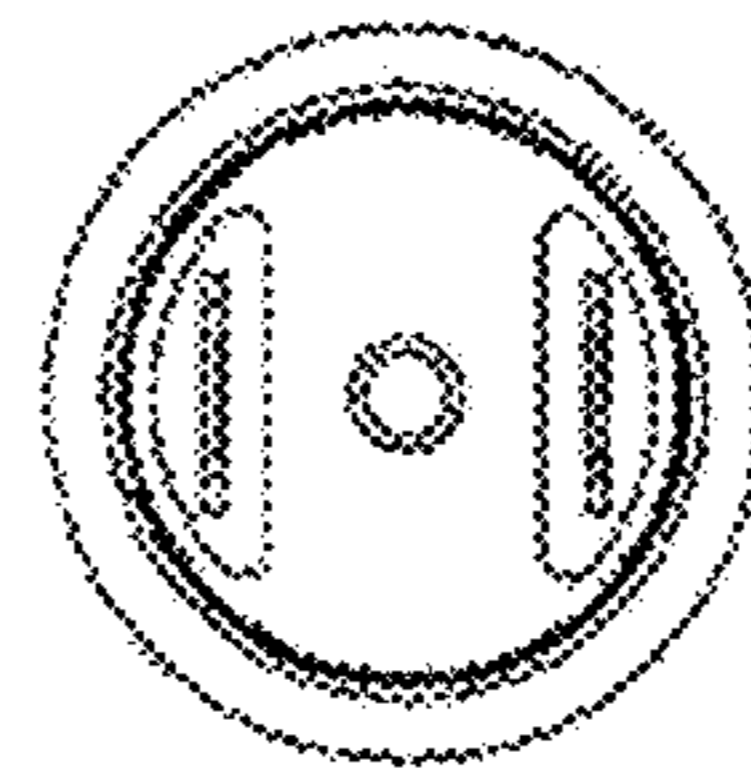


Figure 4

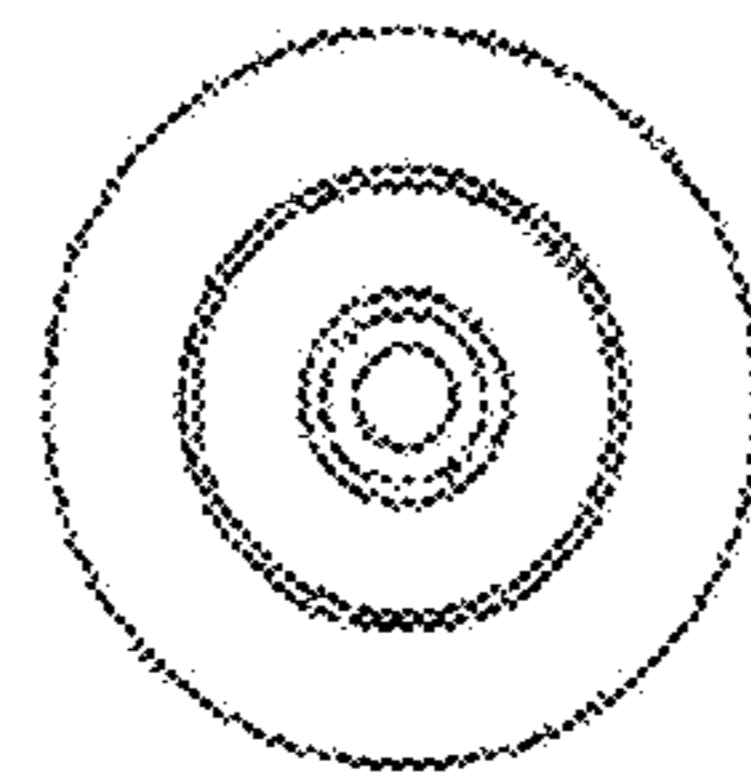


Figure 5

