



US00D766762S

(12) **United States Design Patent**
Kawai

(10) **Patent No.:** **US D766,762 S**

(45) **Date of Patent:** **** Sep. 20, 2016**

(54) **MASS SPECTROMETRY**

(71) Applicant: **SHIMADZU CORPORATION**, Kyoto (JP)

(72) Inventor: **Jun Kawai**, Kyoto (JP)

(73) Assignee: **SHIMADZU CORPORATION**, Kyoto (JP)

(**) Term: **15 Years**

(21) Appl. No.: **29/531,782**

(22) Filed: **Jun. 30, 2015**

(30) **Foreign Application Priority Data**

Apr. 28, 2015 (JP) 2015-009526

(51) **LOC (10) Cl.** **10-04**

(52) **U.S. Cl.**
USPC **D10/81**

(58) **Field of Classification Search**

USPC D10/81; D24/232
CPC G01J 3/00; G01J 3/0202; G01J 3/0205;
G01J 3/0208; G01J 3/021; G01J 3/0213;
G01J 3/0216; G01J 3/0218; G01J 3/0221;
G01J 3/0224; G01J 3/0227; G01J 3/0229;
G01J 3/0232; G01J 3/0235; G01J 3/0237;
G01J 3/024; G01J 3/0243

See application file for complete search history.

(56) **References Cited**

U.S. PATENT DOCUMENTS

D354,354 S * 1/1995 Yamashita D10/81
5,627,522 A * 5/1997 Walker B01F 11/0022
340/618

5,986,260 A * 11/1999 Oonuma H01J 49/04
250/281
7,129,481 B2 * 10/2006 Overney H01J 49/02
250/281
D645,367 S * 9/2011 Hayashi D10/81
D715,843 S * 10/2014 Kawai D16/131
D719,861 S * 12/2014 Kawai D10/81
2013/0295597 A1 * 11/2013 DeWitte G01N 30/06
435/23

* cited by examiner

Primary Examiner — Antoine D Davis

(74) *Attorney, Agent, or Firm* — Jianq Chyun IP Office

(57) **CLAIM**

The ornamental design for a mass spectrometry, as shown and described.

DESCRIPTION

FIG. 1 is a perspective view of a mass spectrometry showing my new design;

FIG. 2 is another perspective view thereof;

FIG. 3 is a front view thereof;

FIG. 4 is a rear view thereof;

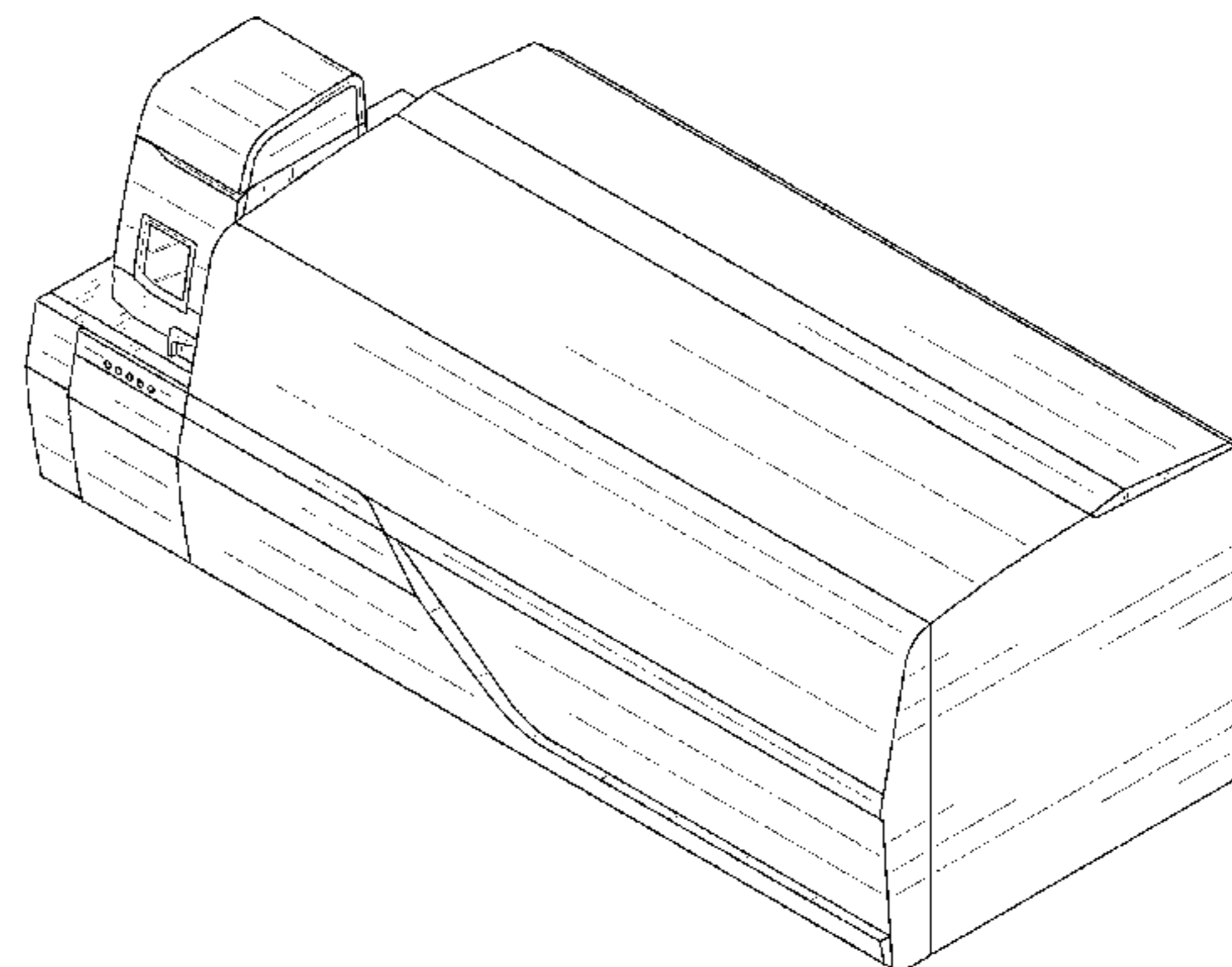
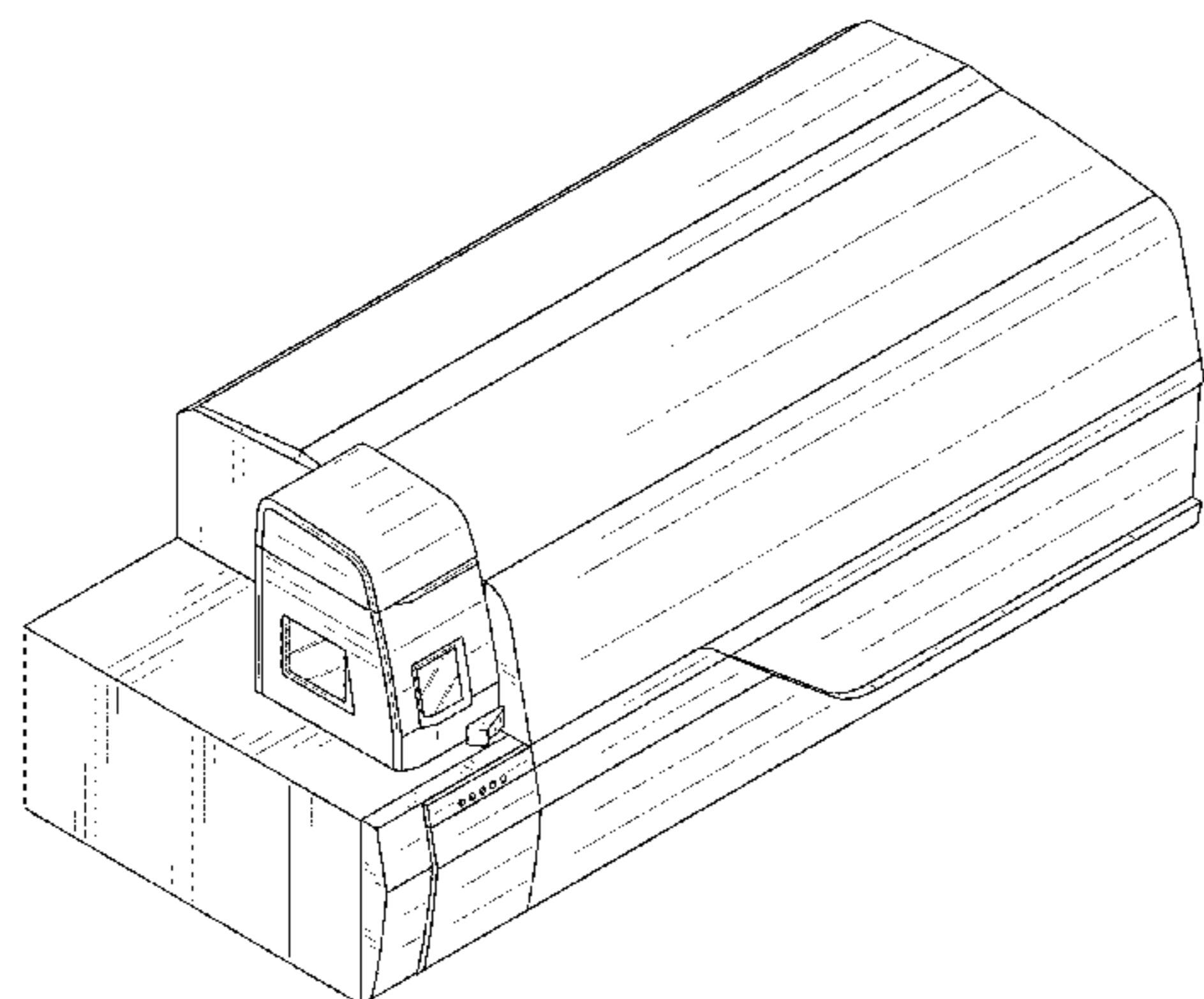
FIG. 5 is a left side view thereof;

FIG. 6 is a right side view thereof;

FIG. 7 is a top view thereof; and,

FIG. 8 is a bottom view thereof.

1 Claim, 8 Drawing Sheets



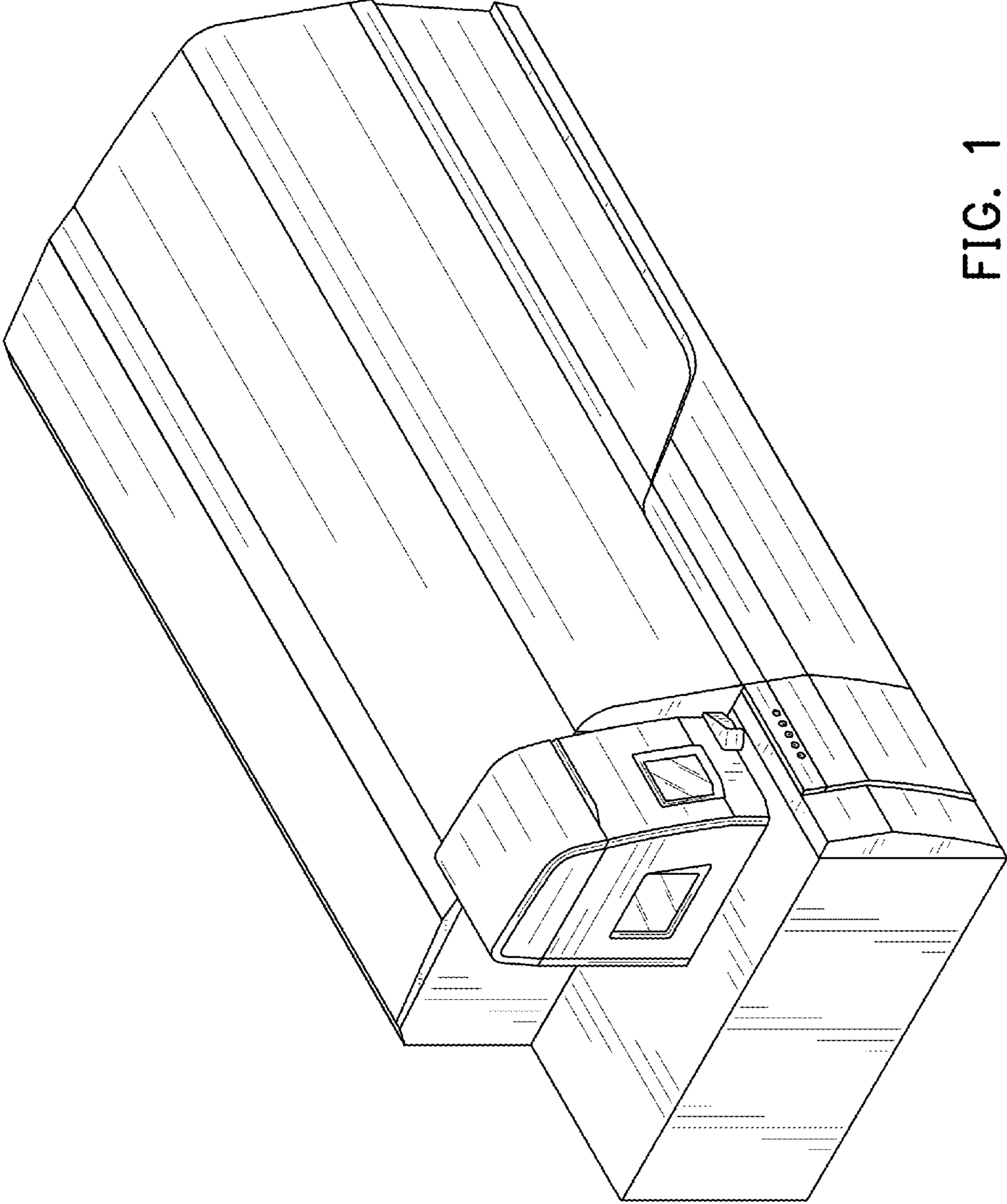


FIG. 1

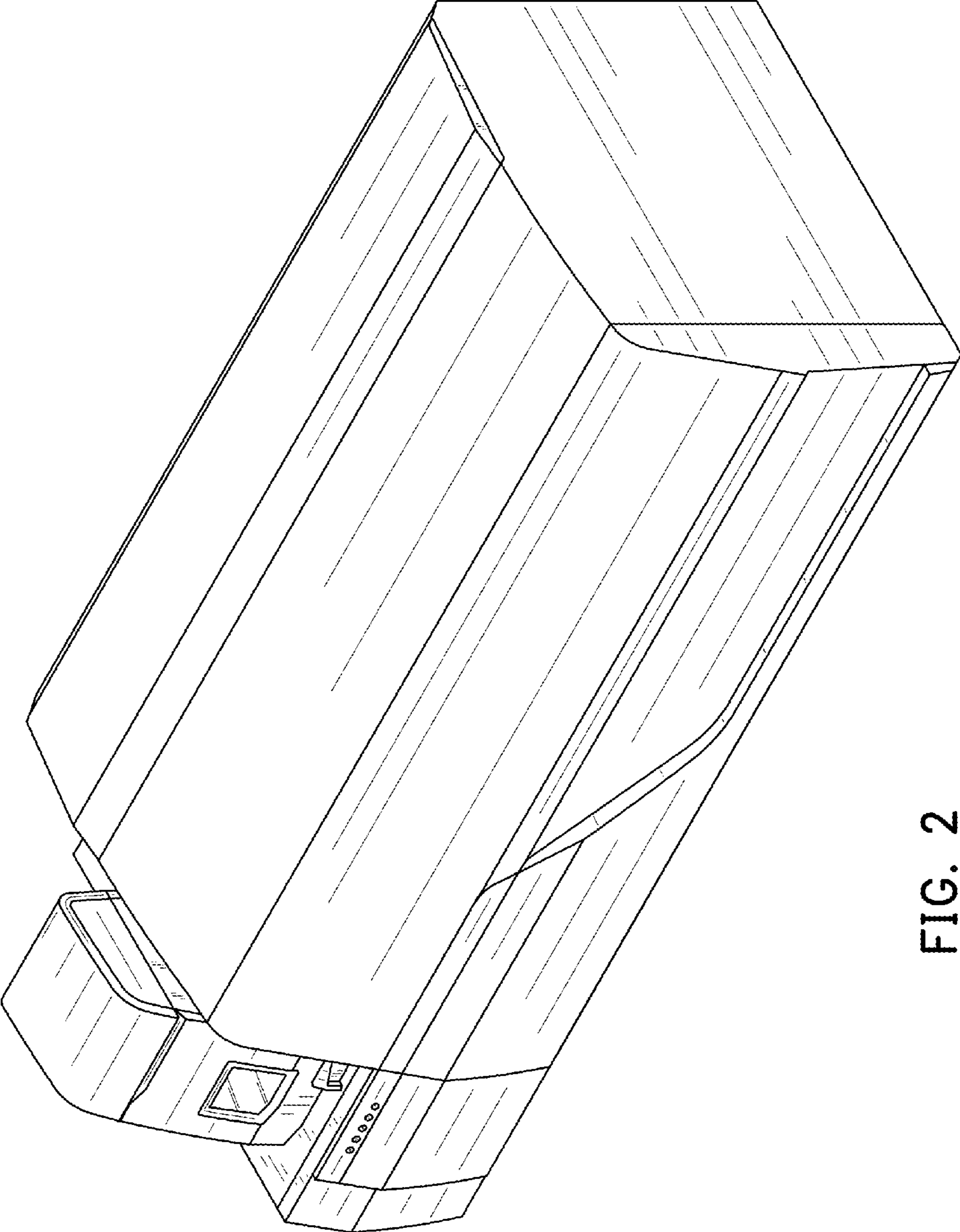


FIG. 2

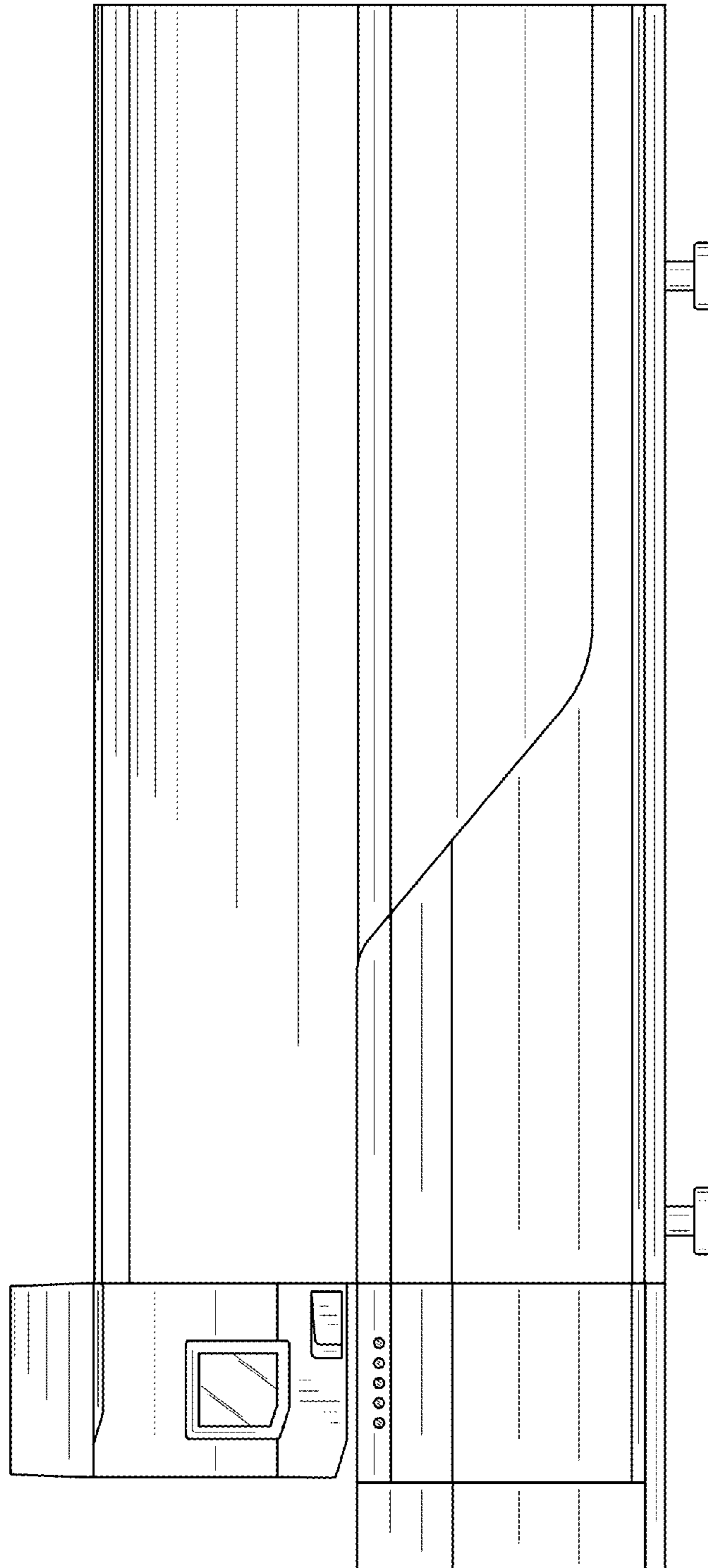


FIG. 3

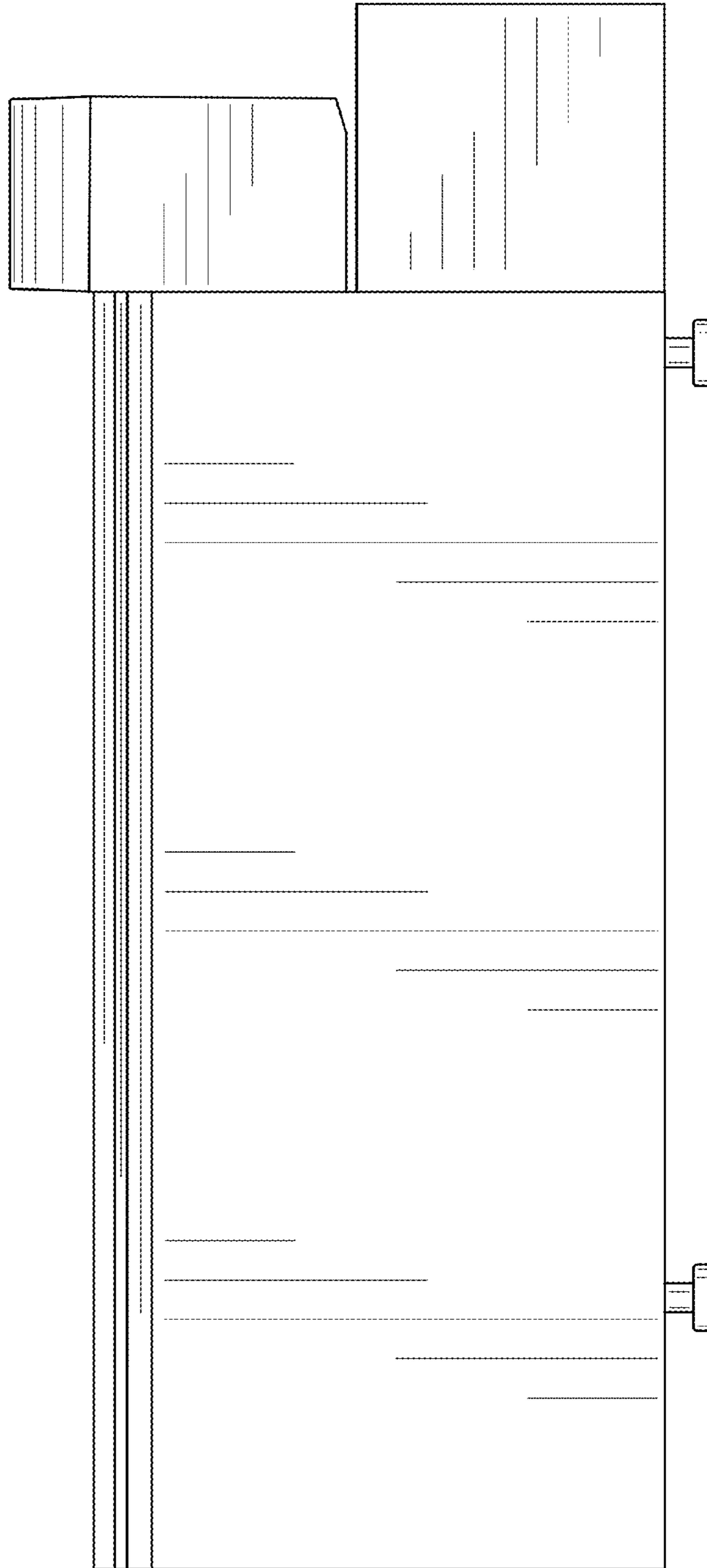


FIG. 4

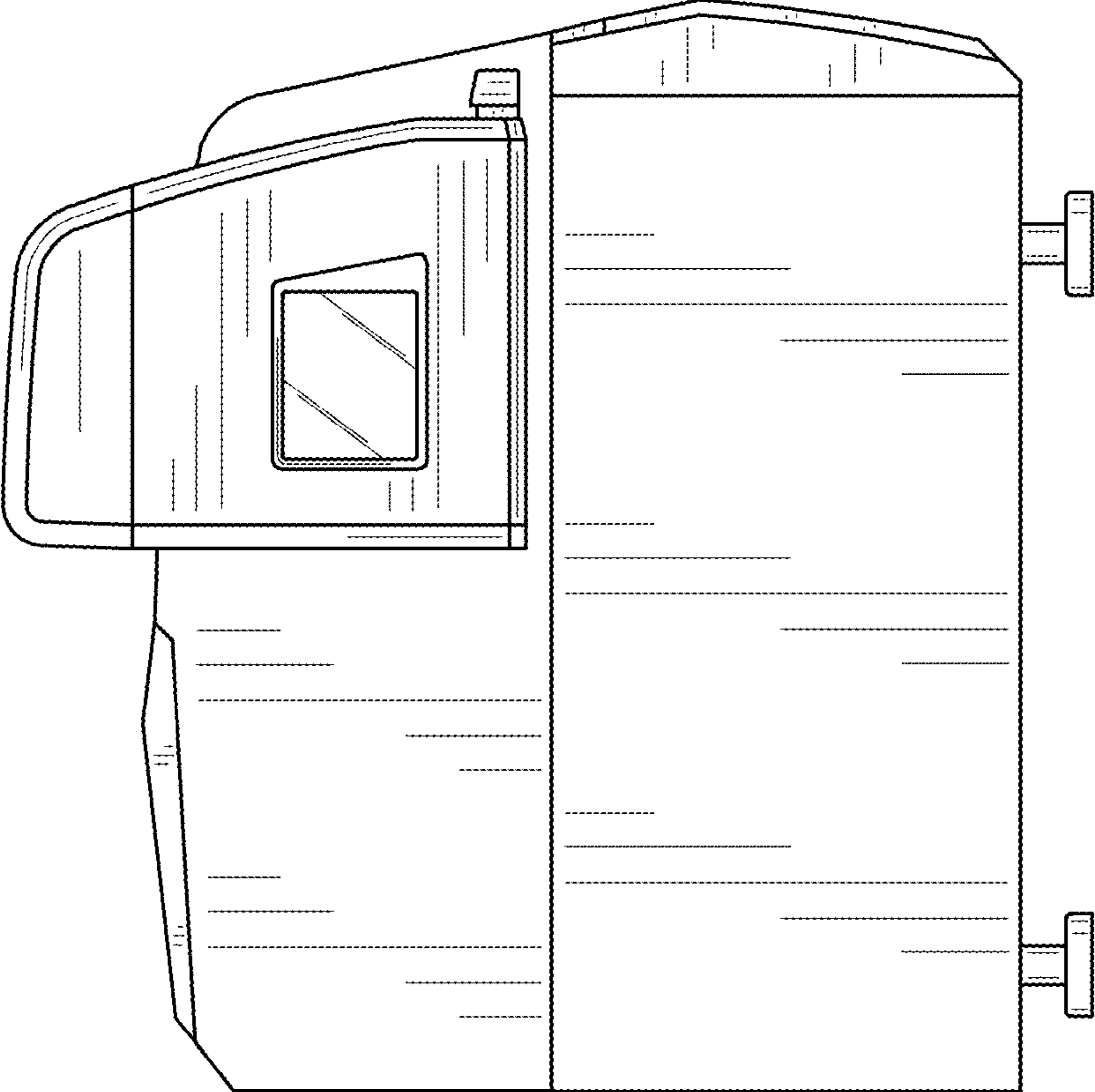


FIG. 5

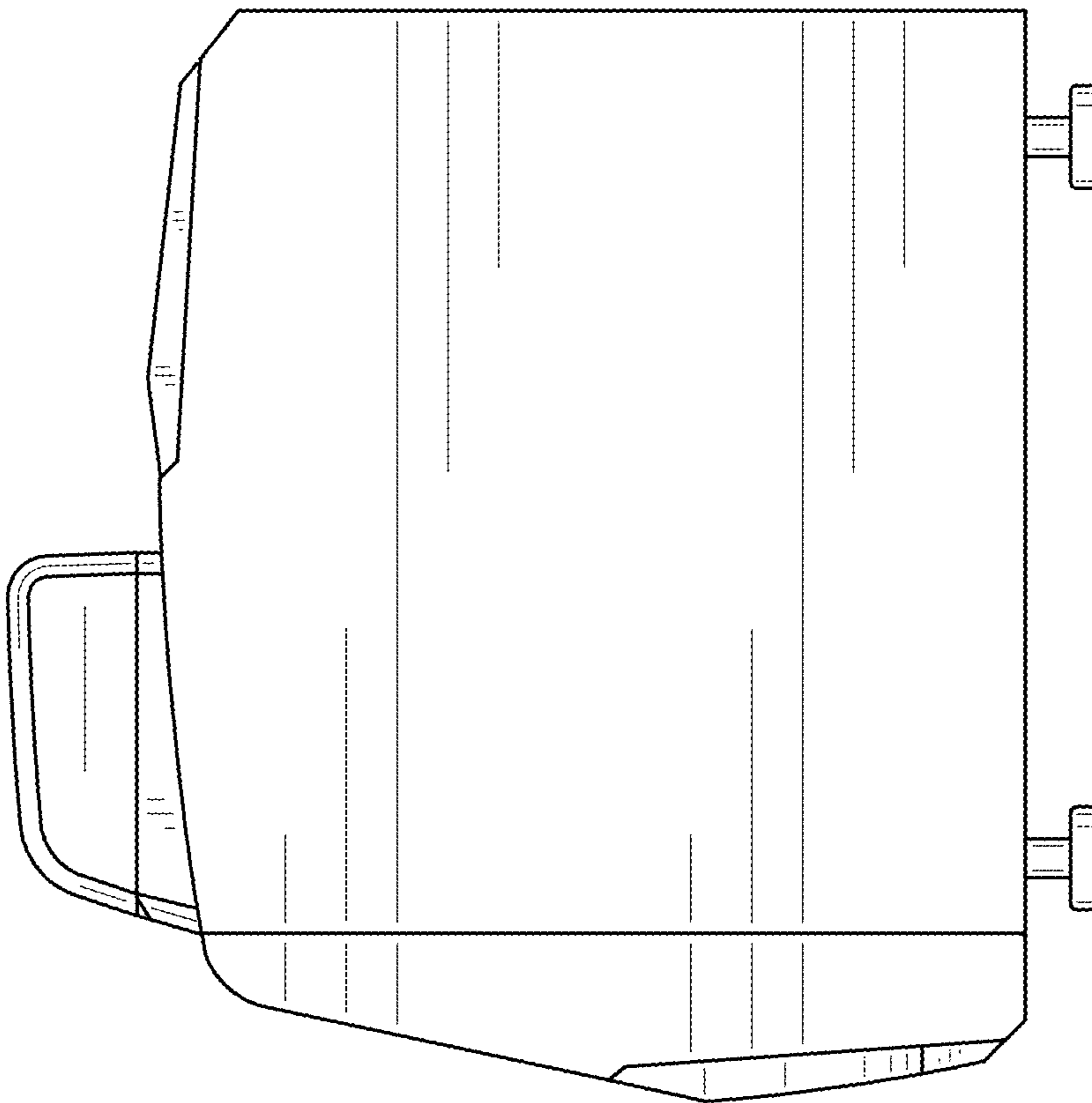


FIG. 6

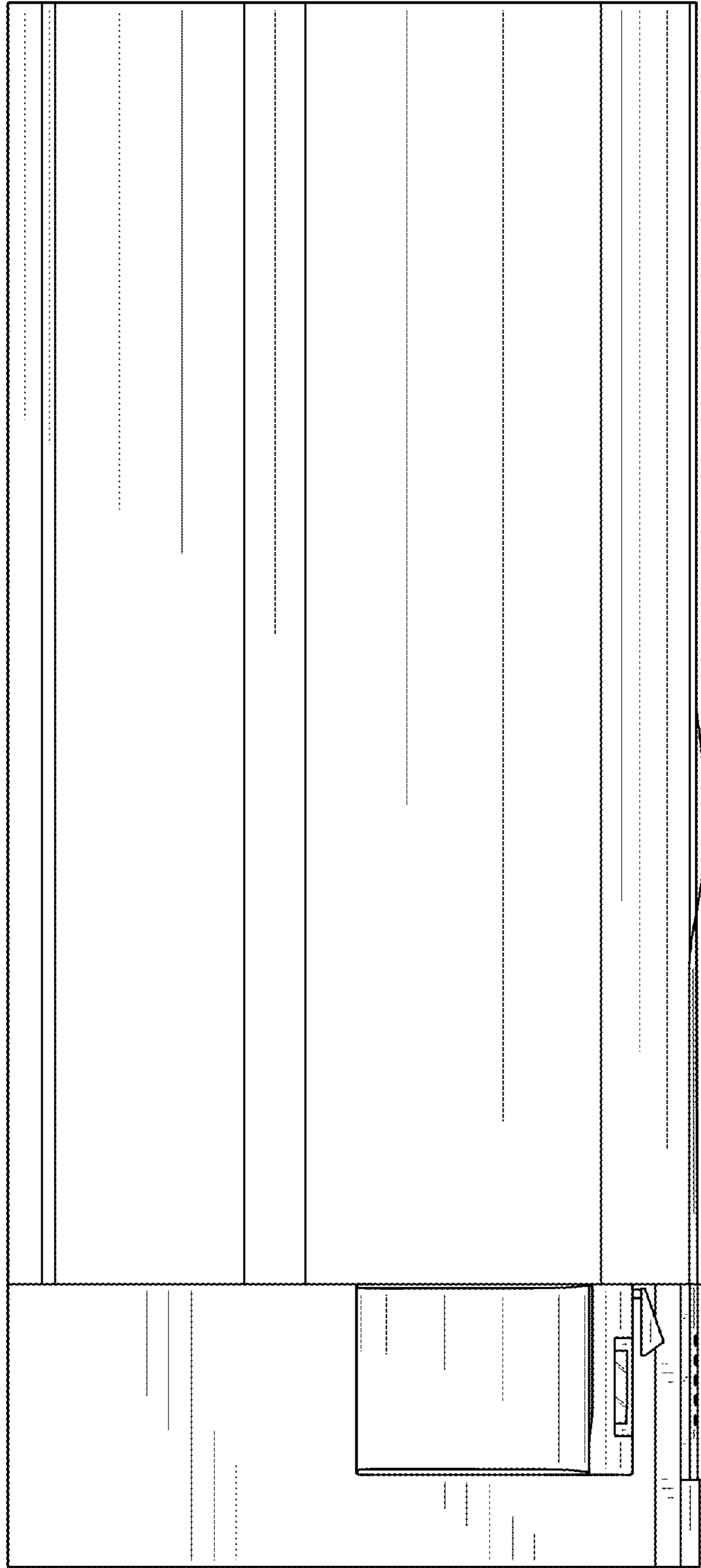


FIG. 7

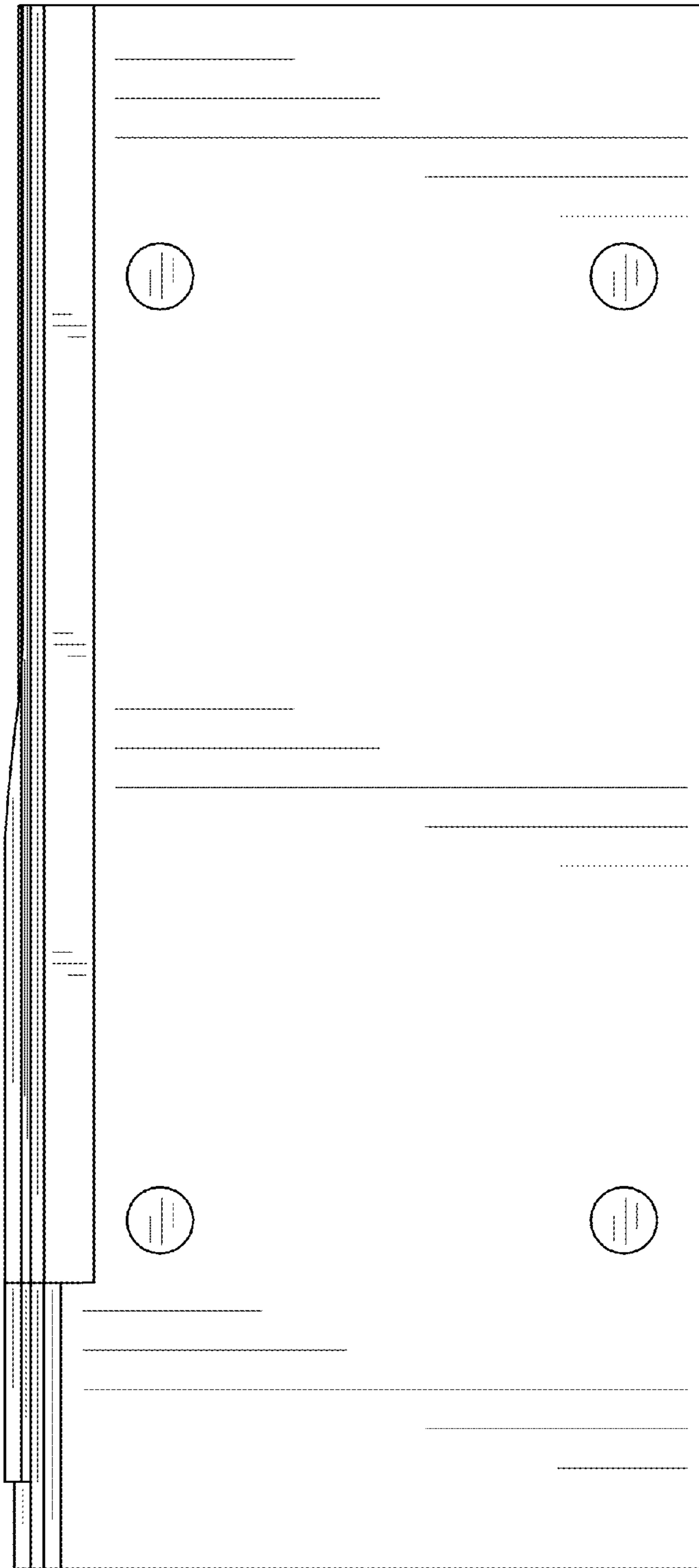


FIG. 8