



US00D766761S

(12) **United States Design Patent**
Klein et al.

(10) **Patent No.:** **US D766,761 S**

(45) **Date of Patent:** **** Sep. 20, 2016**

(54) **ANALYTICAL EQUIPMENT**

(71) Applicant: **LIFE TECHNOLOGIES CORPORATION**, Carlsbad, CA (US)

(72) Inventors: **Sandro David Klein**, Irvine, CA (US);
Josh Mead, San Diego, CA (US)

(73) Assignee: **Life Technologies Corporation**,
Carlsbad, CA (US)

(**) Term: **14 Years**

(21) Appl. No.: **29/521,218**

(22) Filed: **Mar. 20, 2015**

(51) **LOC (10) Cl.** **10-04**

(52) **U.S. Cl.**
USPC **D10/81; D24/216**

(58) **Field of Classification Search**
USPC D10/46, 81; D24/216, 232, 233, 234
CPC C12Q 1/6869; C12Q 1/6806; G01N
27/4145

See application file for complete search history.

(56) **References Cited**

U.S. PATENT DOCUMENTS

D637,931 S * 5/2011 Kimura D10/81
D702,852 S * 4/2014 Podhasky D24/216

D707,843 S * 6/2014 Meziere D24/216
D733,917 S * 7/2015 Klein D24/232
D737,702 S * 9/2015 Selberg D10/81
9,193,996 B2 * 11/2015 Buermann G01N 21/6428
D744,880 S * 12/2015 Smith D10/81
D745,185 S * 12/2015 Kimura D10/81
9,273,344 B2 * 3/2016 Yu G01N 35/08
2015/0361488 A1 12/2015 Schultz et al.

* cited by examiner

Primary Examiner — Antoine D Davis

(57) **CLAIM**

The ornamental design for analytical equipment, as shown and described.

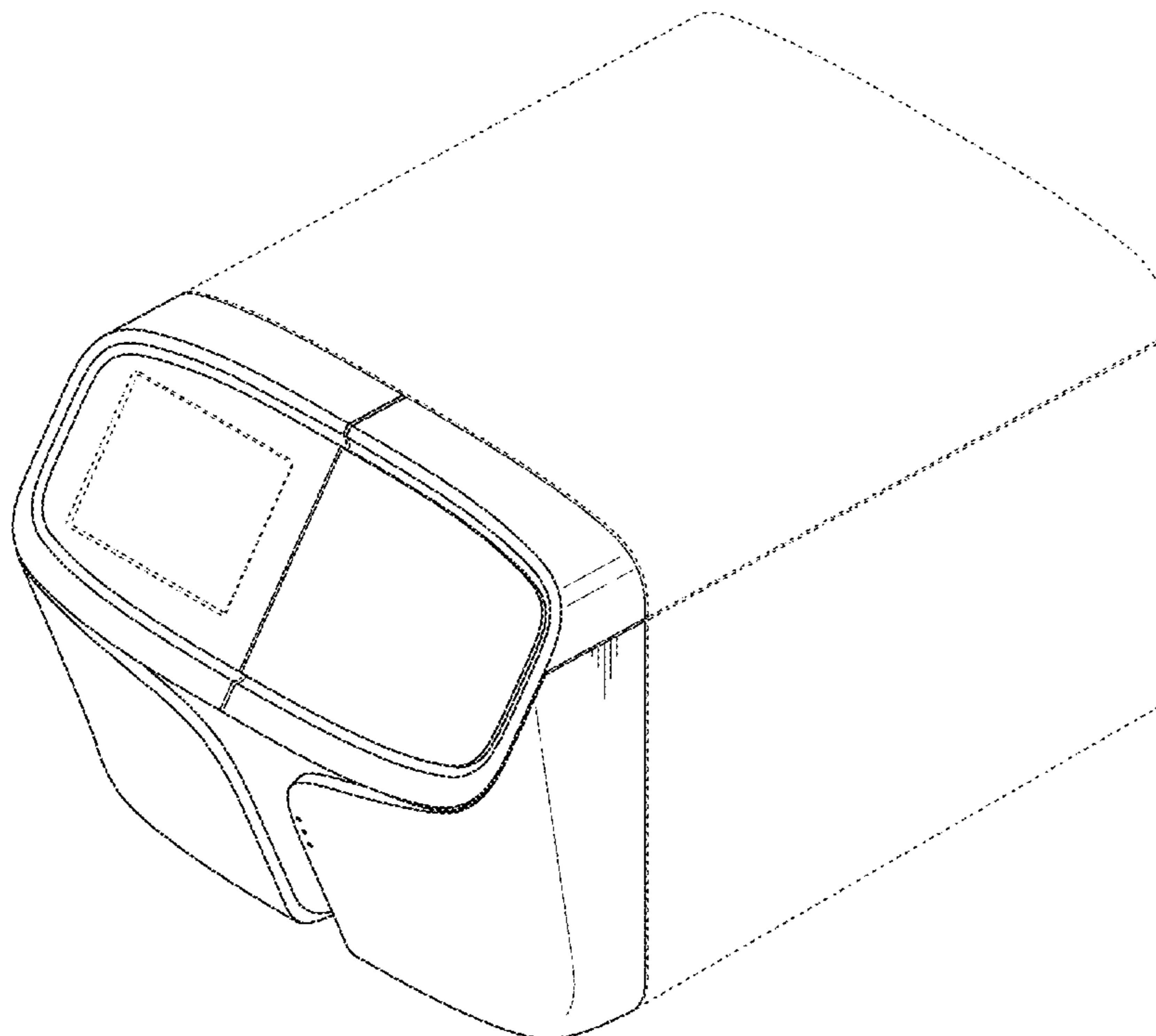
DESCRIPTION

FIG. 1 is a perspective view of analytical equipment showing the new design;
FIG. 2 is a front view thereof;
FIG. 3 and FIG. 4 are side views thereof;
FIG. 5 is a top view thereof; and,
FIG. 6 is a bottom view thereof.

The broken lines show a back housing, a computer screen, or a power button for the purposes of illustrating environment and form no part of the claimed design.

Analytical equipment includes a front panel(s) formed with an aesthetic and ornamental design.

1 Claim, 6 Drawing Sheets



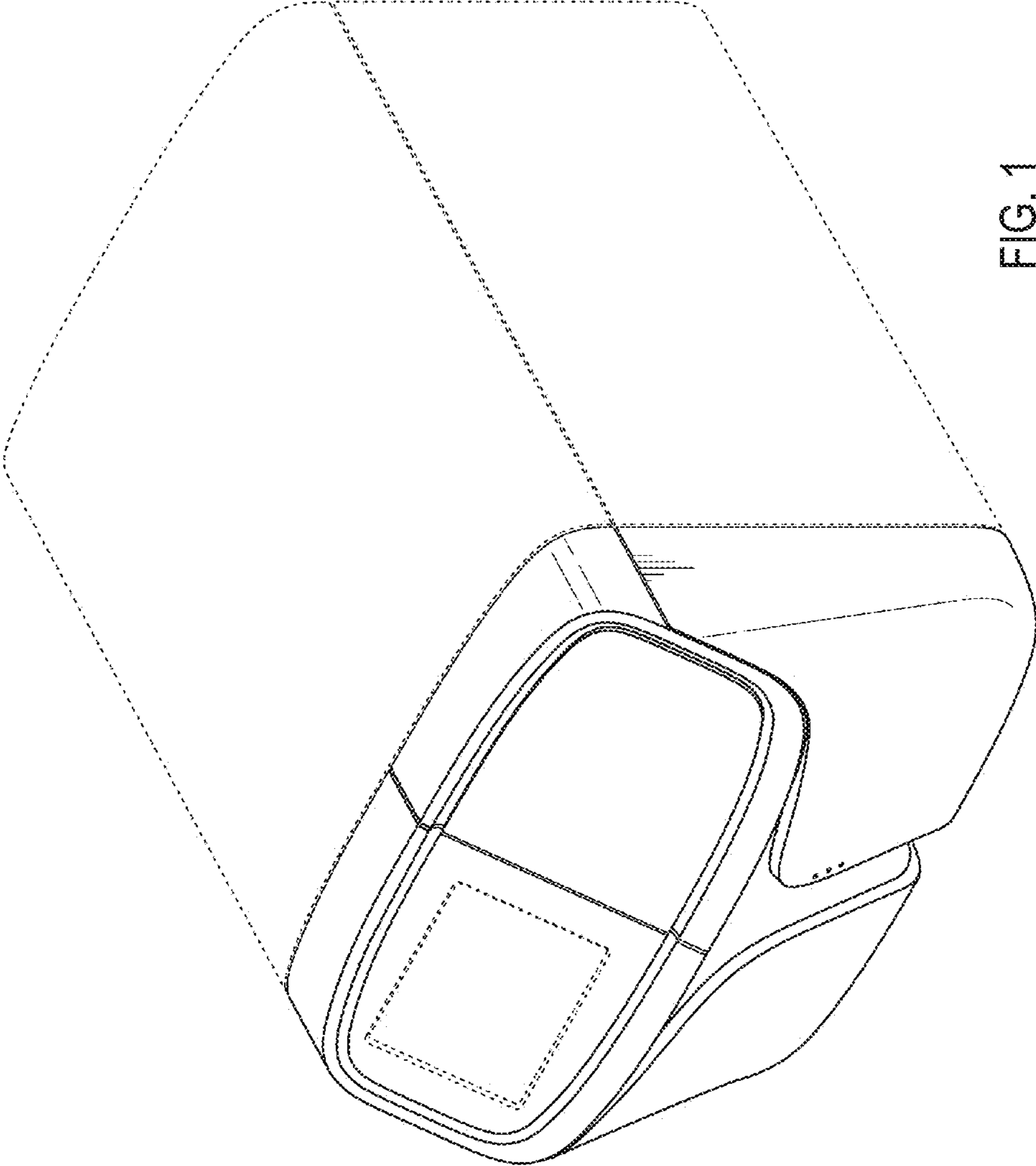


FIG. 1

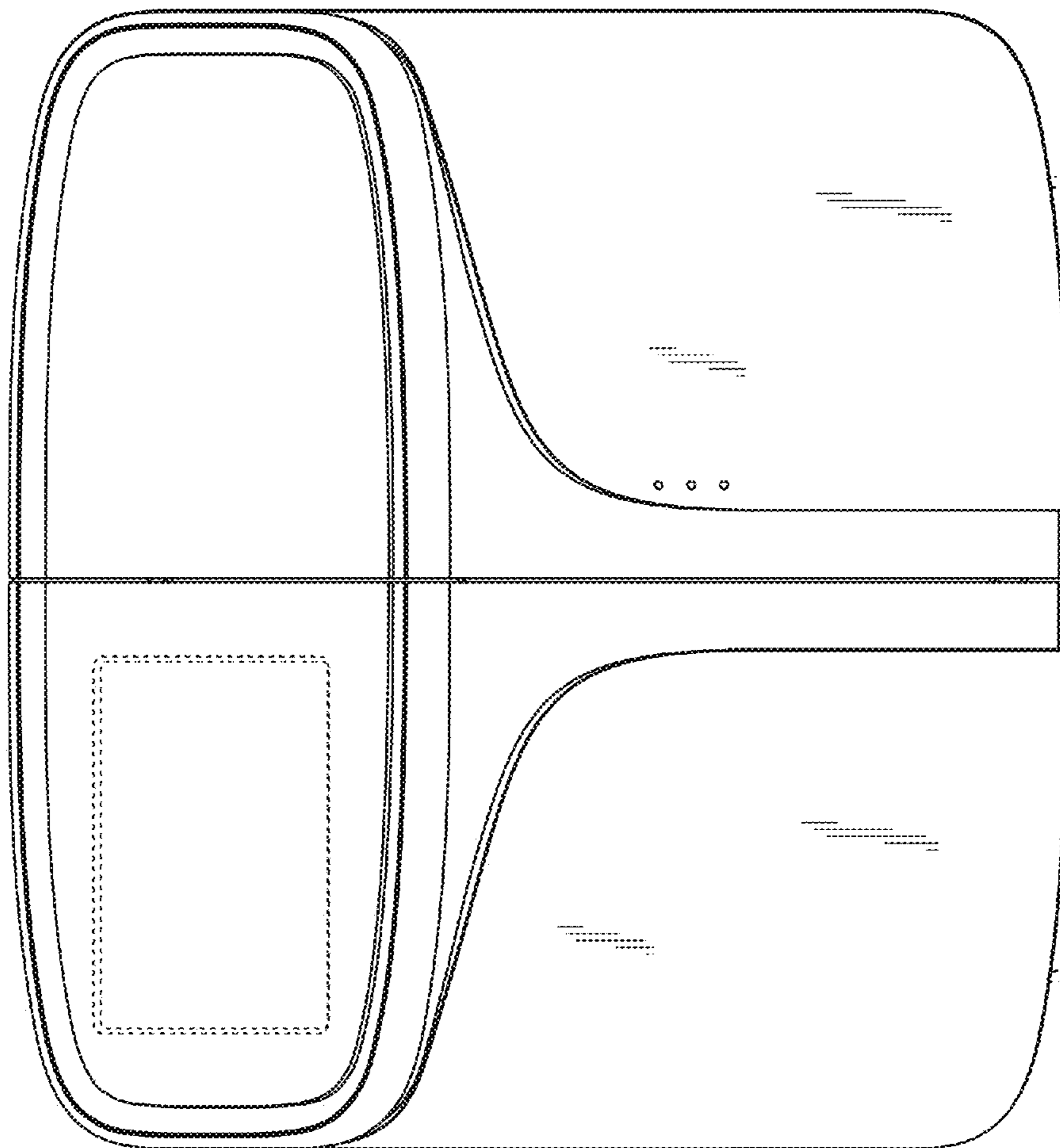


FIG. 2

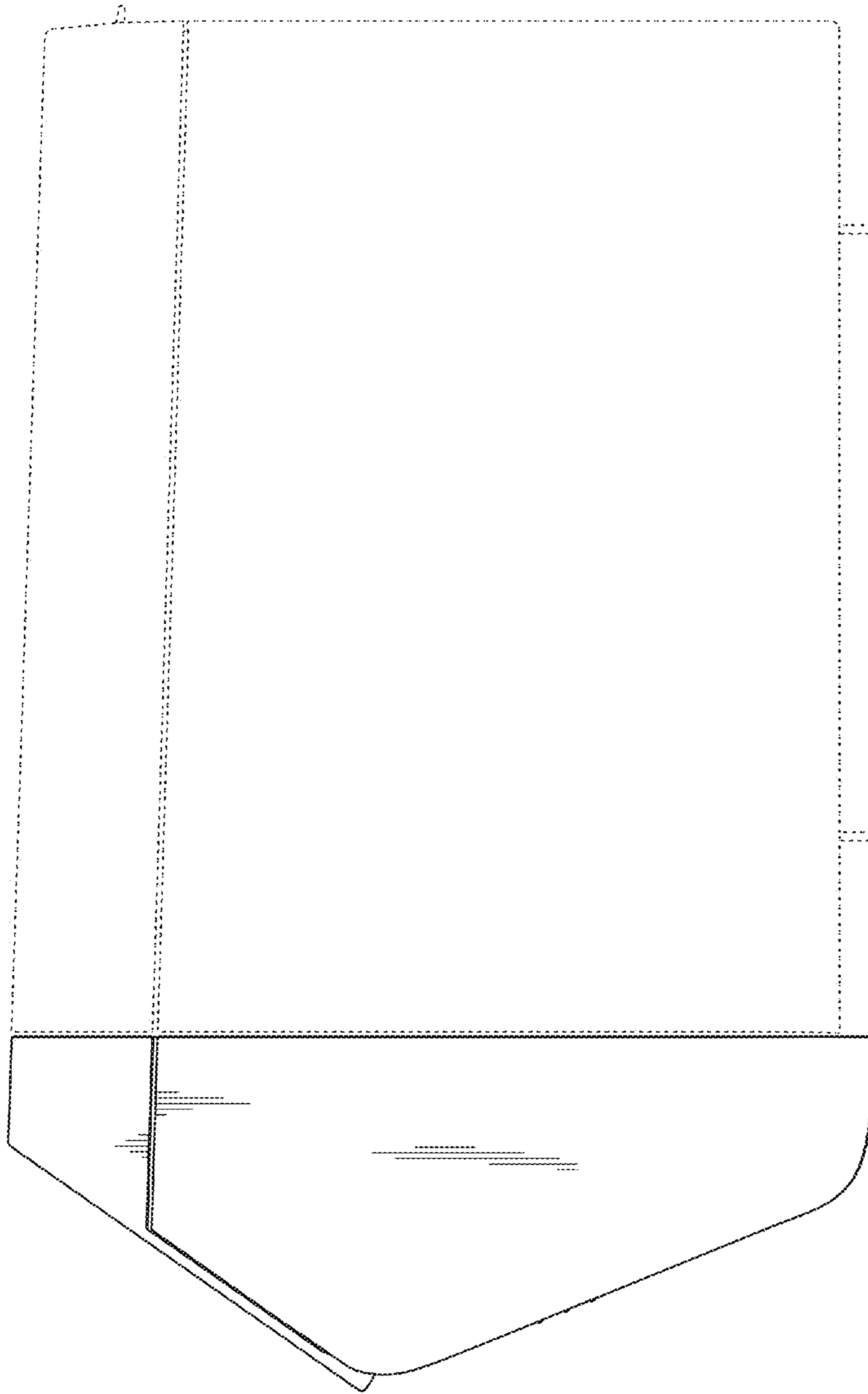


FIG. 3

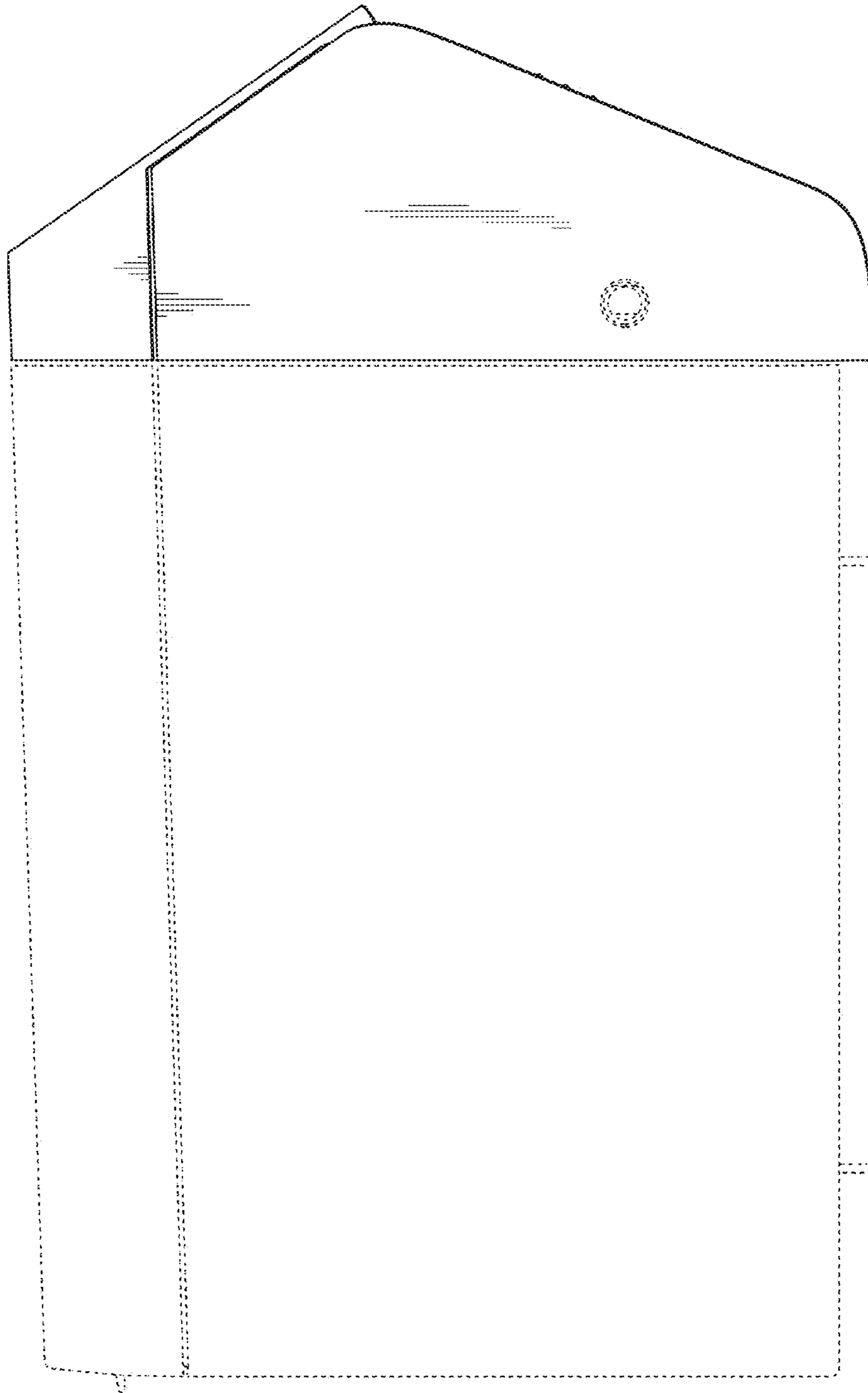


FIG. 4

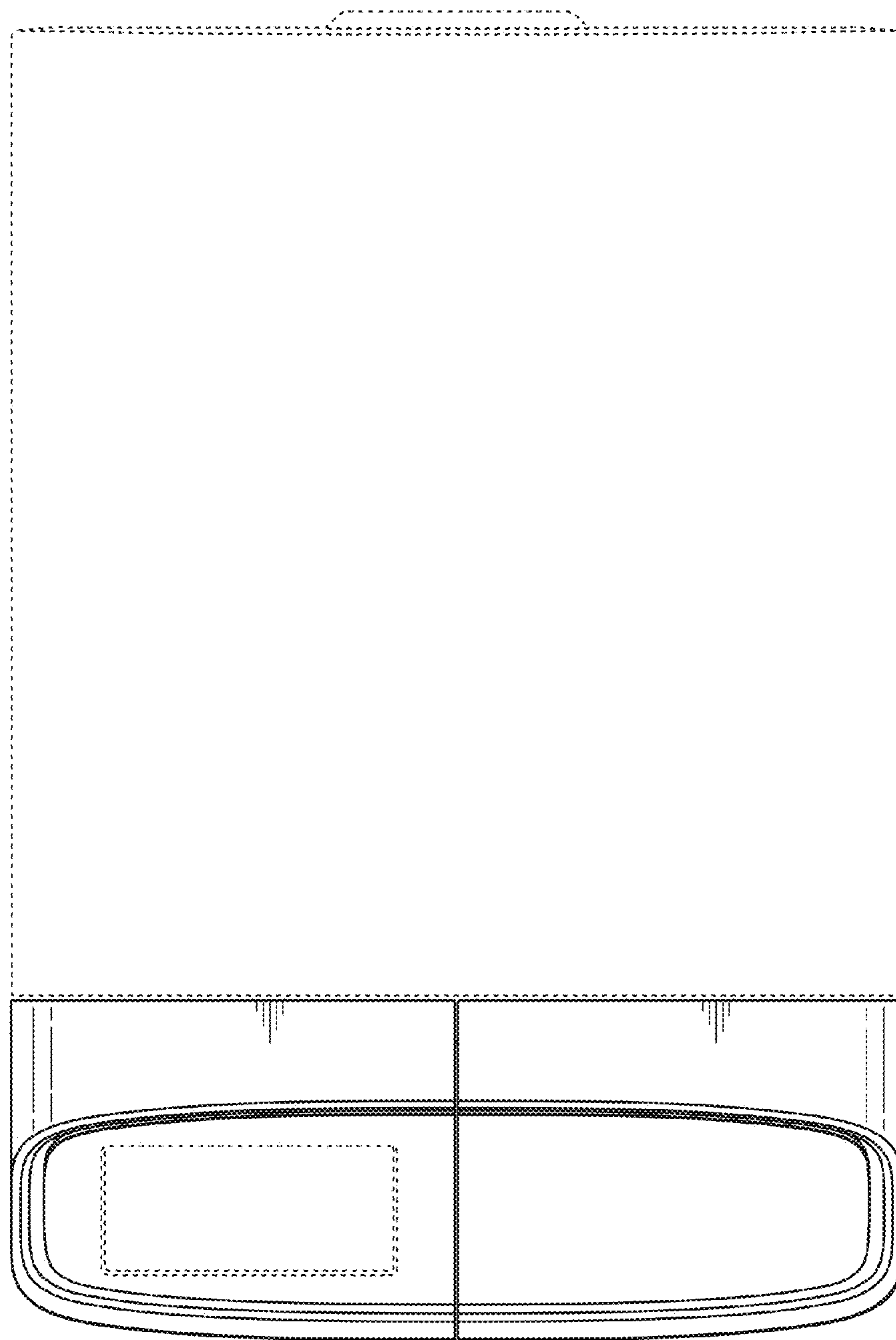


FIG. 5

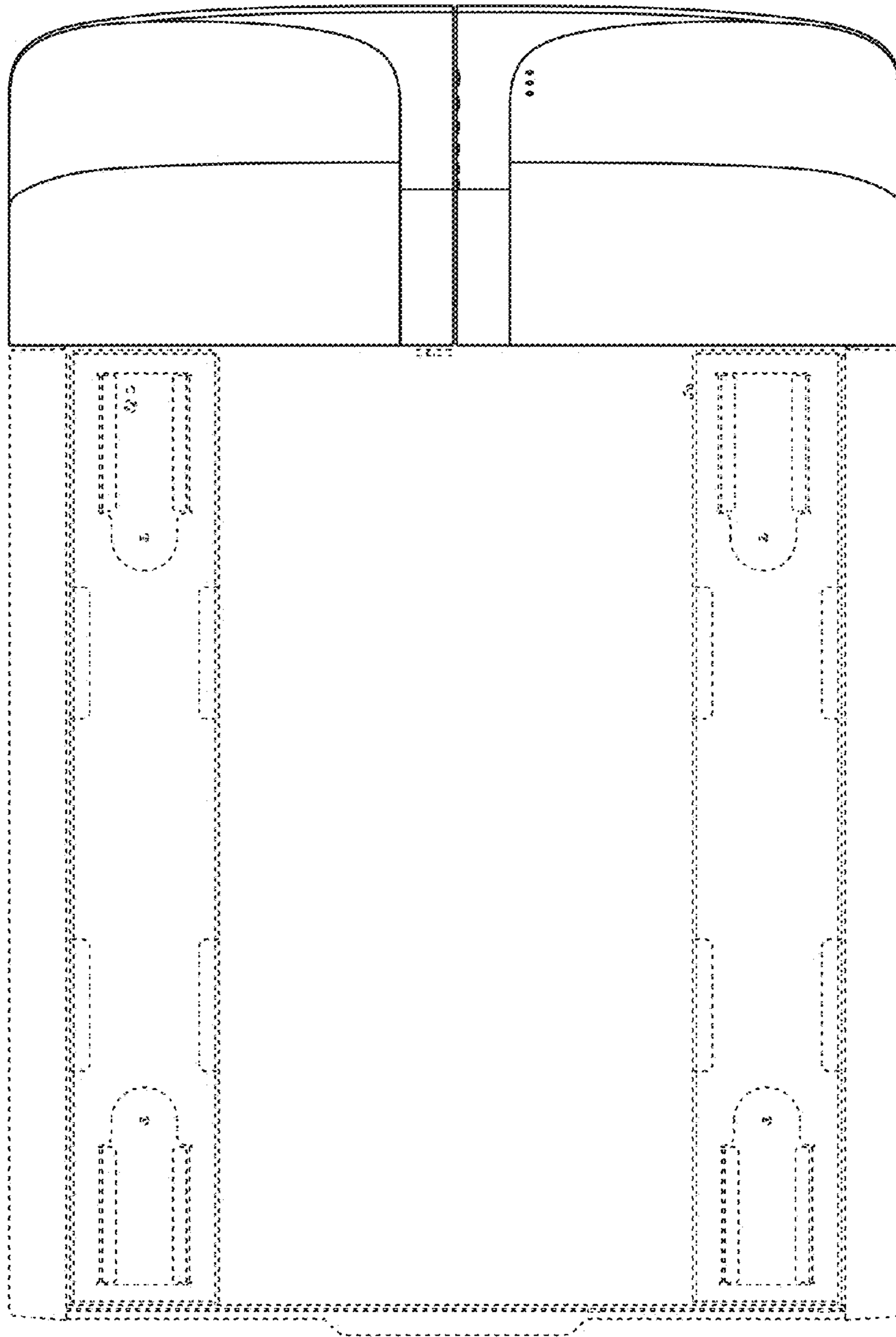


FIG. 6