



US00D766760S

(12) **United States Design Patent** (10) **Patent No.:** **US D766,760 S**
Katsumoto et al. (45) **Date of Patent:** **** Sep. 20, 2016**

(54) **CONTAINER FOR MEASURING ELECTRICAL CHARACTERISTICS**

(71) Applicant: **Sony Corporation**, Tokyo (JP)

(72) Inventors: **Yoichi Katsumoto**, Tokyo (JP);
Marcaurele Brun, Tokyo (JP)

(73) Assignee: **Sony Corporation**, Tokyo (JP)

(**) Term: **14 Years**

(21) Appl. No.: **29/502,866**

(22) Filed: **Sep. 19, 2014**

(30) **Foreign Application Priority Data**

Mar. 19, 2014	(JP)	D2014-005791
Mar. 19, 2014	(JP)	D2014-005792
Mar. 19, 2014	(JP)	D2014-005793
Mar. 19, 2014	(JP)	D2014-005794
Mar. 19, 2014	(JP)	D2014-005797
Mar. 19, 2014	(JP)	D2014-005798
Mar. 19, 2014	(JP)	D2014-005814
Mar. 19, 2014	(JP)	D2014-005815
Mar. 19, 2014	(JP)	D2014-005816
Mar. 19, 2014	(JP)	D2014-005817
Mar. 19, 2014	(JP)	D2014-005818
Mar. 19, 2014	(JP)	D2014-005819

(51) **LOC (10) Cl.** **10-04**

(52) **U.S. Cl.**
USPC **D10/81**

(58) **Field of Classification Search**
USPC D10/81; D24/224
CPC B01L 2300/0832; B01L 2300/0835;
B01L 2300/0838; B01L 2300/0841; B01L
2300/0845; B01L 3/5021; B01L 2300/0809;
B01L 2300/0819; B01L 2300/0825; G01N
21/03; G01N 21/031; G01N 21/0317; G01N
21/0332; G01N 21/05

See application file for complete search history.

(56) **References Cited**

U.S. PATENT DOCUMENTS

3,759,374	A *	9/1973	Helger et al.	206/431
5,242,732	A *	9/1993	Bahakel	B44C 7/02 428/81
6,249,345	B1 *	6/2001	Kraack et al.	356/246
7,554,658	B2 *	6/2009	Marsteller et al.	356/246
7,790,117	B2 *	9/2010	Ellis et al.	422/400
8,357,296	B2 *	1/2013	Bonhomme et al.	210/321.84

OTHER PUBLICATIONS

Web page, http://www.bio-rad.com/webroot/web/pdf/lsr/literature/Bulletin_1908.pdf, "Bio-Rad transforms electroporation", Bulletin No. 1908, 2 pages, Bio-Red Laboratories, Inc.

* cited by examiner

Primary Examiner — Antoine D Davis

(74) *Attorney, Agent, or Firm* — Michael Best and Friedrich LLP

(57) **CLAIM**

The ornamental design for a container for measuring electrical characteristics, as shown and described.

DESCRIPTION

FIG. 1 is a perspective view of a first embodiment of a container for measuring electrical characteristics showing our new design;

FIG. 2 is a left side elevational view thereof; and

FIG. 3 is a cross sectional view along the line 3-3 of FIG. 2; and

FIG. 4 is a right side elevational view thereof.

FIG. 5 is a perspective view of a second embodiment of a container for measuring electrical characteristics showing our new design;

FIG. 6 is a left side elevational view thereof;

FIG. 7 is a cross sectional view along the line 7-7 of FIG. 6; and,

FIG. 8 is a right side elevational view thereof.

The even-dash broken lines showing of the container for measuring electrical characteristics are included for the purpose of illustrating unclaimed portions of the container and form no part of the claimed design. The dot-dash broken lines define the bounds of the claimed design and form no part thereof.

1 Claim, 4 Drawing Sheets

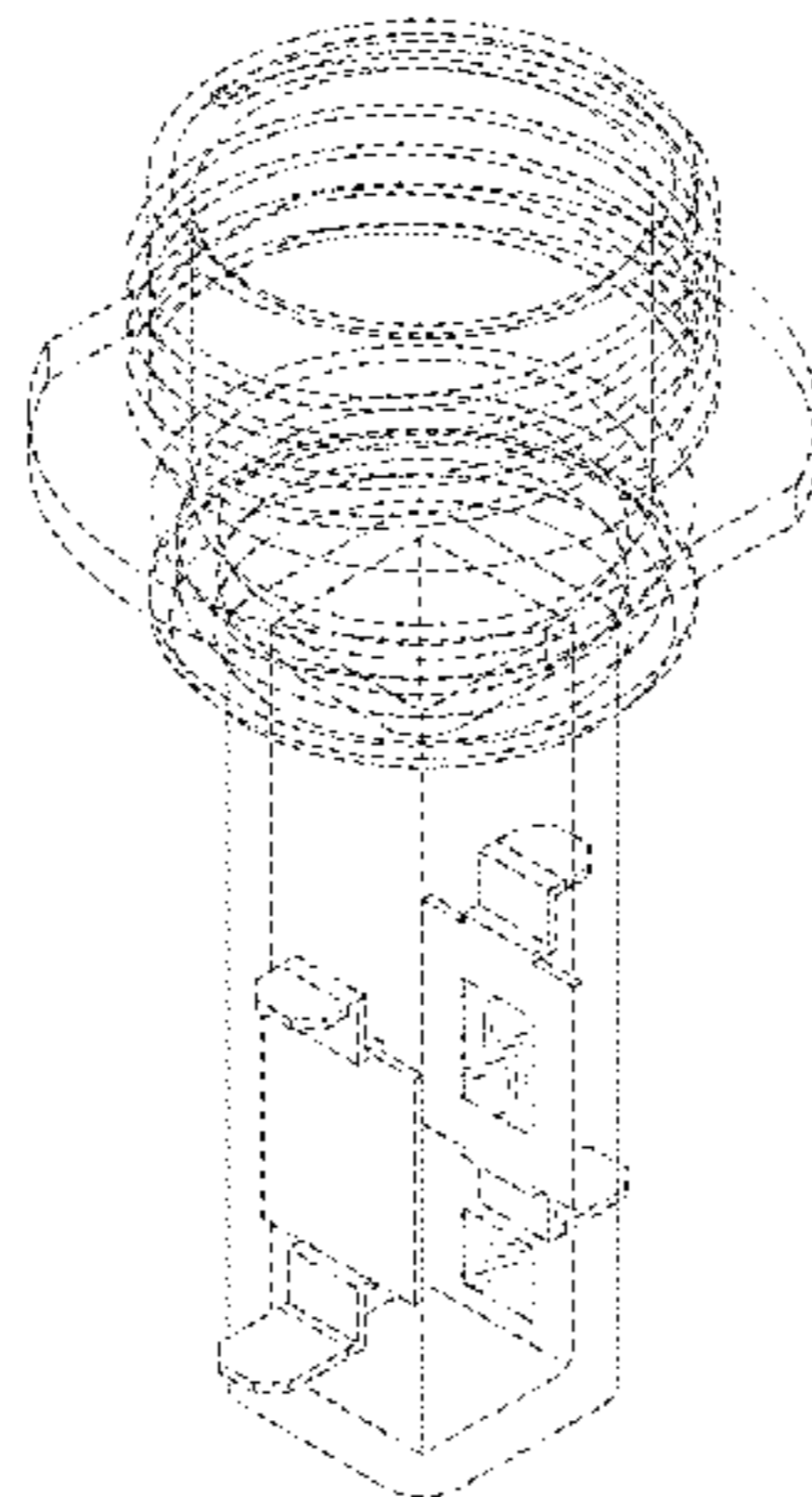


FIG.1

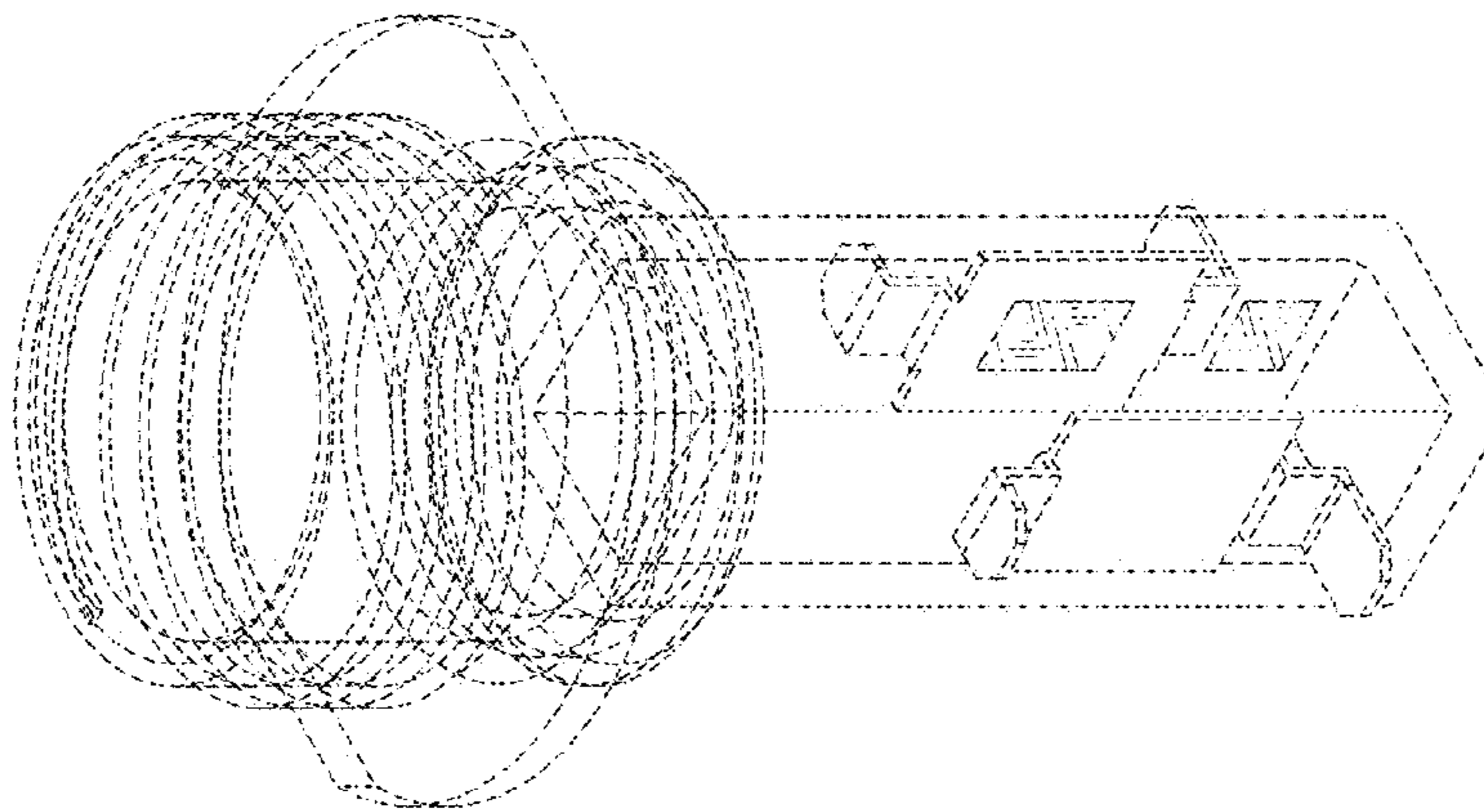


FIG.2

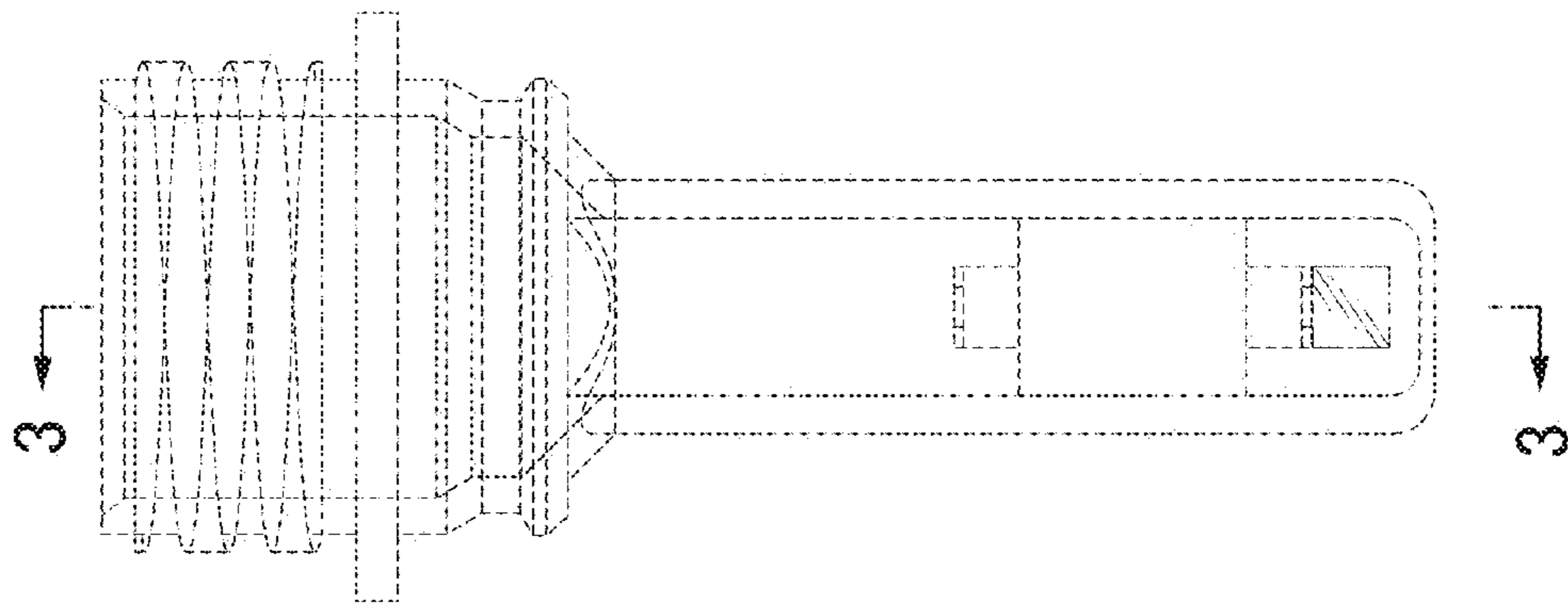


FIG.3

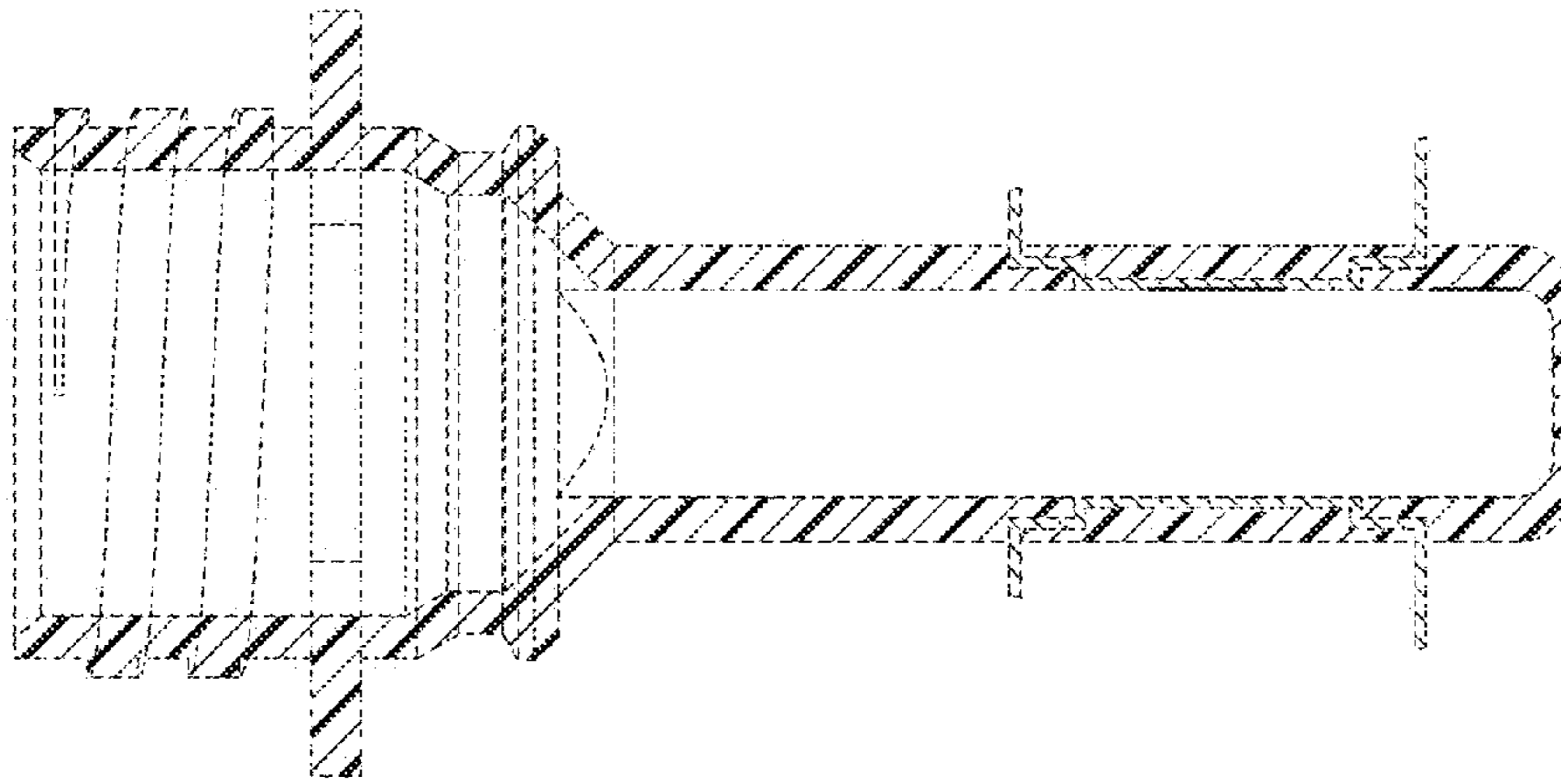


FIG.4

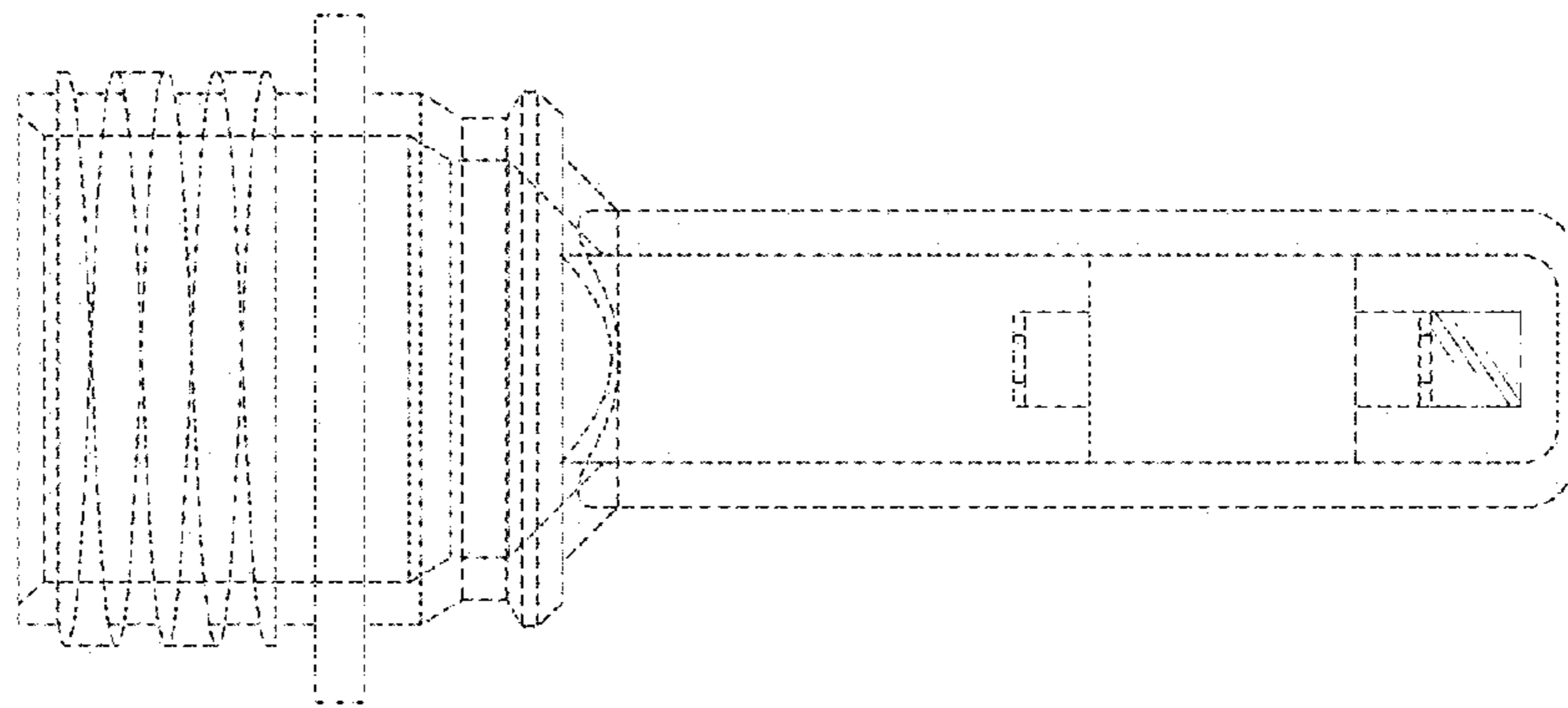


FIG.7

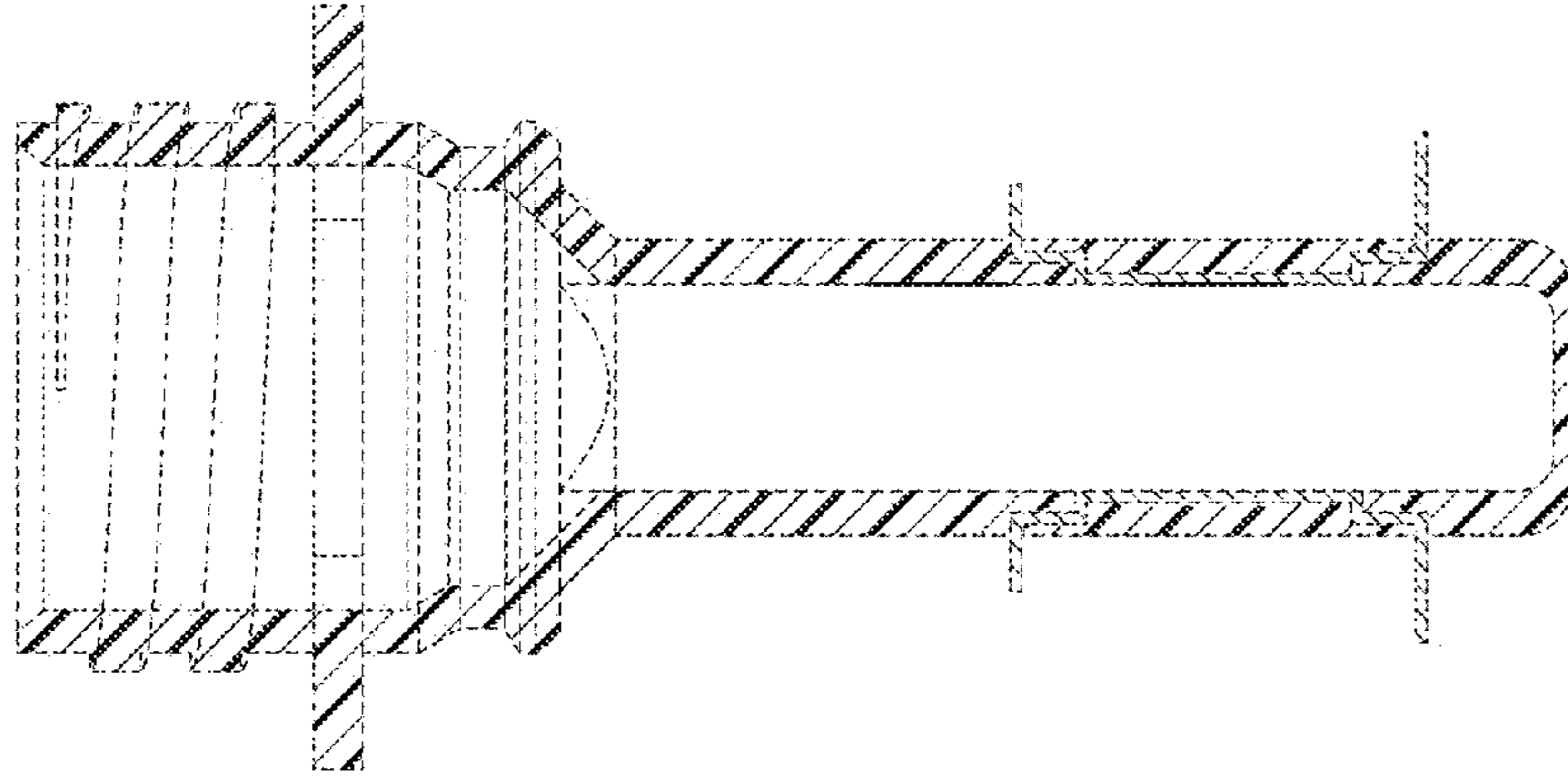


FIG.6

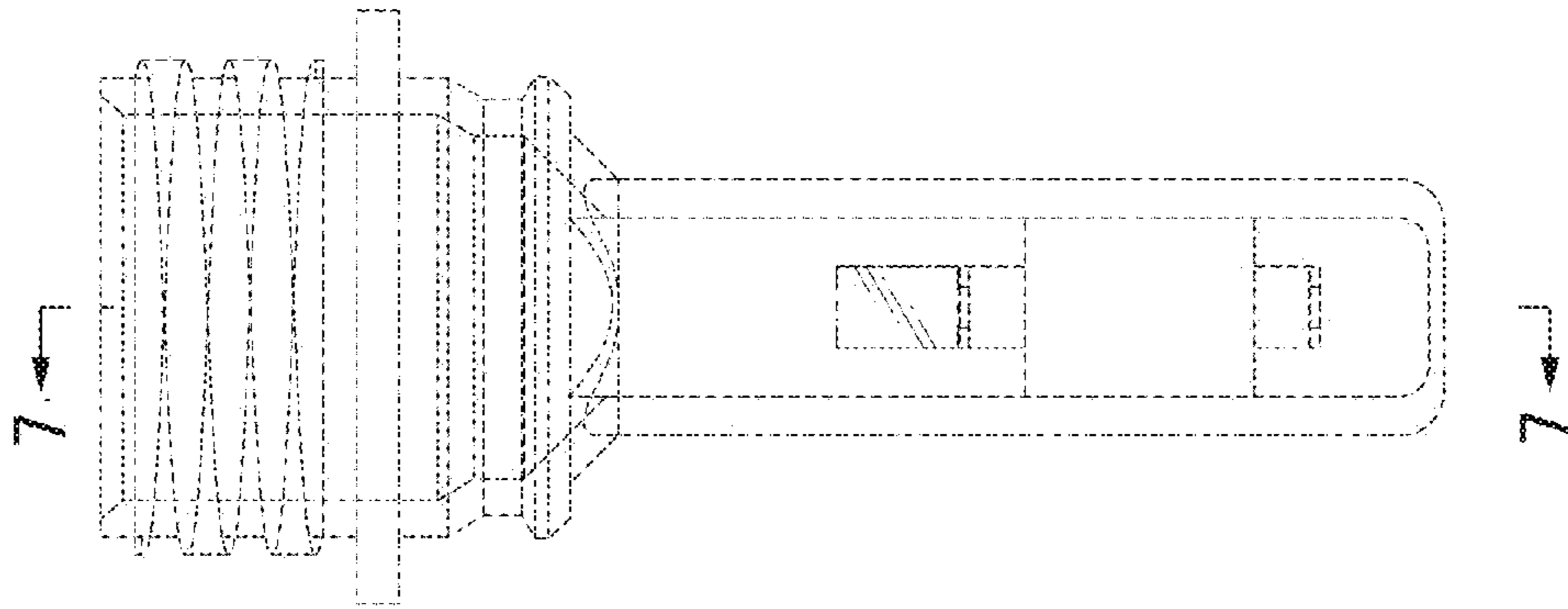


FIG.5

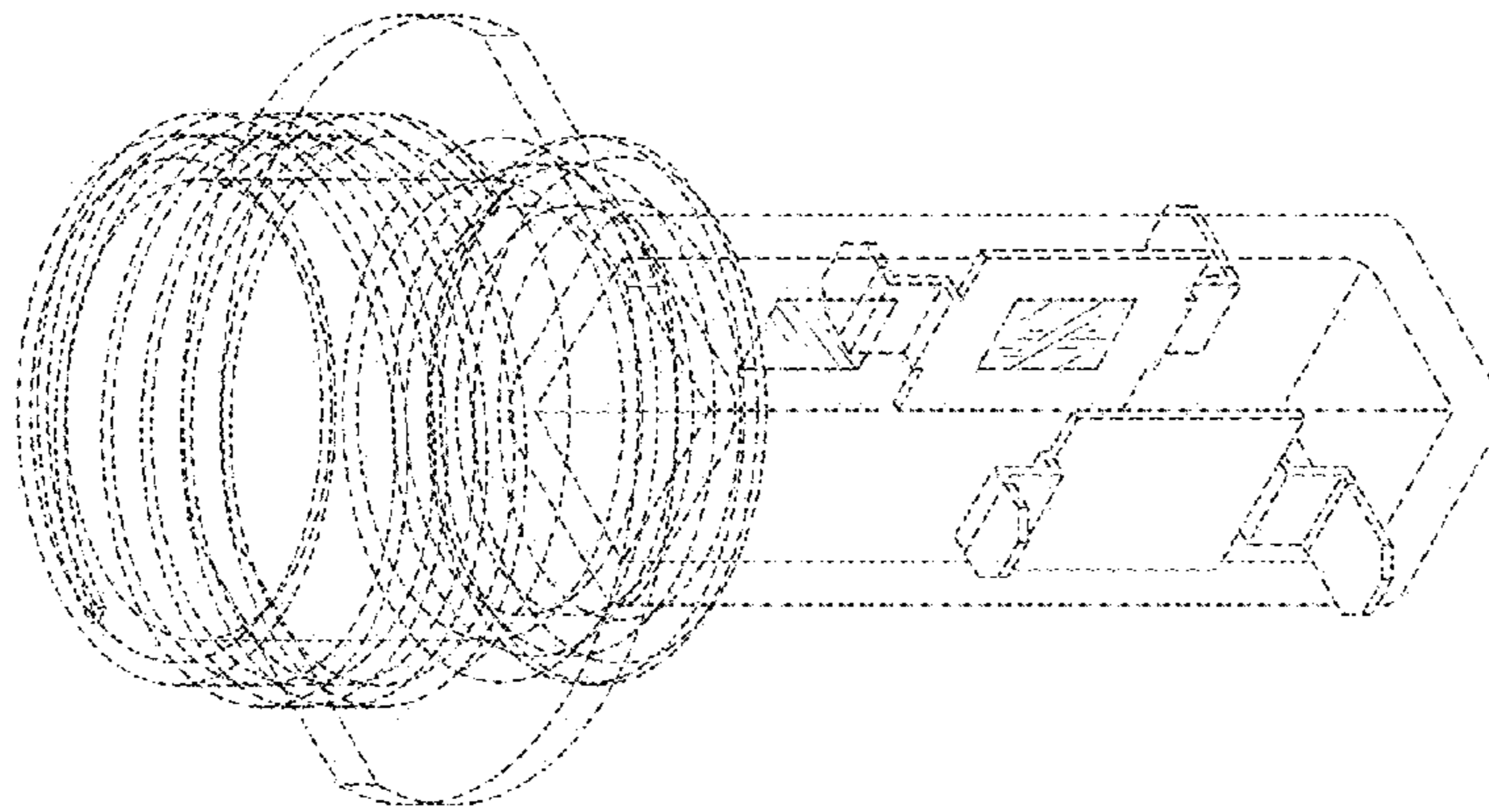


FIG.8

