



US00D766758S

(12) **United States Design Patent**  
**Park et al.**

(10) **Patent No.:** **US D766,758 S**  
(45) **Date of Patent:** **\*\* Sep. 20, 2016**

(54) **WRISTBAND HEALTH TRACKER**

- (71) Applicant: **Fitbit, Inc.**, San Francisco, CA (US)
- (72) Inventors: **James Park**, Berkeley, CA (US); **Mark Manuel Martinez**, San Francisco, CA (US); **Michael Hans Berlinger**, San Francisco, CA (US); **Alexander Joseph Ringrose**, Oakland, CA (US); **Daniel J. Clifton**, San Francisco, CA (US); **Susan Elizabeth McKinney**, San Francisco, CA (US); **Gad Amit**, San Mateo, CA (US)
- (73) Assignee: **Fitbit, Inc.**, San Francisco, CA (US)
- (\*\*) Term: **15 Years**
- (21) Appl. No.: **29/549,341**
- (22) Filed: **Dec. 21, 2015**

**Related U.S. Application Data**

- (63) Continuation of application No. 29/497,740, filed on Jul. 28, 2014, now Pat. No. Des. 749,002.
- (51) **LOC (10) Cl.** ..... **10-04**
- (52) **U.S. Cl.**  
USPC ..... **D10/70; D10/98; D24/167**
- (58) **Field of Classification Search**  
USPC ..... D10/30-39, 65, 70, 78, 97, 98; D11/3; D14/138 R, 203.5, 203.6, 341, 344, D14/347; D24/167, 168  
CPC ..... A44C 5/00-5/16; G04B 37/00-37/228; G04B 45/0069; G04B 47/04; G04B 19/00-19/34; G04B 21/12; G04B 23/12; G04B 47/00-47/068; G01C 17/00; G01C 21/00-21/3697  
See application file for complete search history.

(56) **References Cited**

**U.S. PATENT DOCUMENTS**

D141,753 S 7/1945 Du Bois  
2,871,592 A 2/1959 Polzin

(Continued)

**FOREIGN PATENT DOCUMENTS**

CN 302903439 S 8/2014

**OTHER PUBLICATIONS**

U.S. Appl. No. 29/500,837, filed Aug. 28, 2014, Martinez et al.

(Continued)

*Primary Examiner* — Antoine D Davis

(74) *Attorney, Agent, or Firm* — Weaver Austin Villeneuve & Sampson LLP

(57)

**CLAIM**

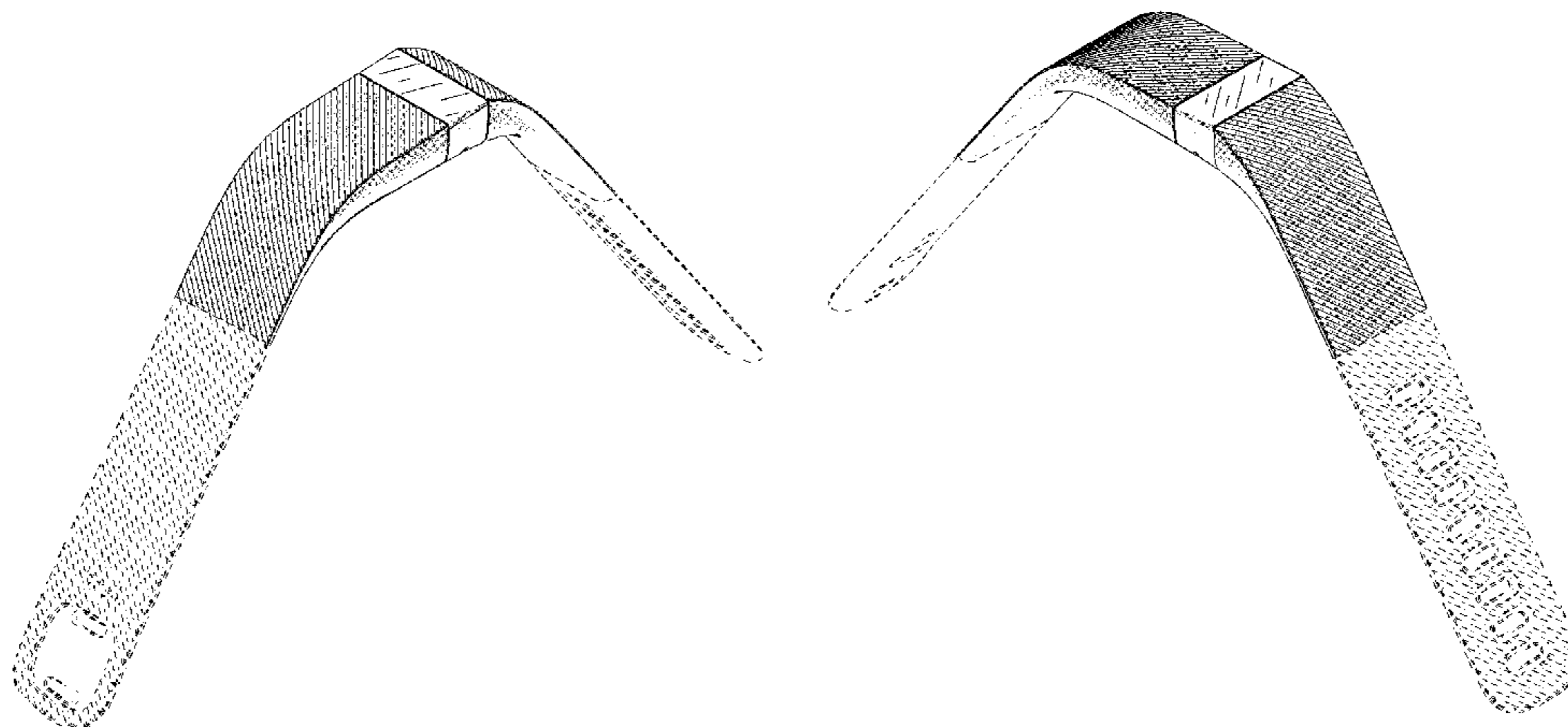
We claim the ornamental design for a wristband health tracker, as shown and described.

**DESCRIPTION**

FIG. 1 is an isometric view of a wristband health tracker looking at the top, front, and right sides.  
 FIG. 2 is a further isometric view of the wristband health tracker looking at the top, back, and right sides.  
 FIG. 3 is a further isometric view of the wristband health tracker looking at the bottom, back, and left sides.  
 FIG. 4 is a further isometric view of the wristband health tracker looking at the bottom, front, and left sides.  
 FIG. 5 is a right side view of the wristband health tracker.  
 FIG. 6 is a left side view of the wristband health tracker.  
 FIG. 7 is a top view of the wristband health tracker.  
 FIG. 8 is a bottom view of the wristband health tracker.  
 FIG. 9 is a front view of the wristband health tracker.  
 FIG. 10 is a back view of the wristband health tracker; and,  
 FIG. 11 is an isometric view of the wristband health tracker looking at the top, front, and right sides.

Dashed and dotted lines are used for illustrative purposes only to give environmental context to the claimed design and do not form any part of the claimed design. In the context of this ornamental design, portions of the design in question are made of a compliant material that may flex into a bracelet or wristband shape, as shown in FIG. 11 (which is provided for context). Stipple shading is used in FIGS. 1 through 11; the stipple shading is not to be understood as conveying a particular surface finish, but is used to convey surface contouring. A portion on the top side of the wristband health tracker that does not have the diagonal ridge pattern on the wristband portions is a translucent, clear, or clear, tinted material, as indicated by the diagonal line hatching on that portion.

**1 Claim, 7 Drawing Sheets**



(56)

References Cited

U.S. PATENT DOCUMENTS

D272,759 S 2/1984 Koziol  
 D299,718 S 2/1989 Steer et al.  
 D305,422 S 1/1990 Steer et al.  
 D315,111 S 3/1991 Rogalski  
 D323,787 S 2/1992 Moorman  
 D331,020 S 11/1992 Ishii et al.  
 D400,112 S 10/1998 Rider  
 D445,041 S 7/2001 Tan et al.  
 D449,008 S 10/2001 Sargent  
 D455,093 S 4/2002 Fitzgerald  
 D471,471 S 3/2003 Fu et al.  
 D480,653 S 10/2003 Lo  
 6,738,317 B2 5/2004 Nussbaum  
 D517,441 S 3/2006 Heatherly et al.  
 D528,439 S 9/2006 Burton  
 D528,928 S 9/2006 Burton  
 D535,055 S 1/2007 Been et al.  
 D536,265 S 2/2007 Reynoso  
 D538,687 S 3/2007 Komulainen  
 D545,220 S 6/2007 Leung  
 D548,128 S 8/2007 Andren et al.  
 D549,602 S 8/2007 Oberrieder et al.  
 D550,105 S 9/2007 Oberrieder et al.  
 D550,112 S 9/2007 Andren et al.  
 D553,512 S 10/2007 Tang  
 D556,194 S 11/2007 Rambossek et al.  
 D559,723 S 1/2008 Kraus et al.  
 D560,520 S 1/2008 Oberrieder et al.  
 D564,367 S 3/2008 Molyneux  
 D567,227 S 4/2008 Hada  
 D567,676 S 4/2008 Tang  
 D569,282 S 5/2008 Daniel  
 D573,905 S 7/2008 Poirier  
 D581,826 S 12/2008 Molyneux  
 D586,674 S 2/2009 Solarewicz  
 D589,375 S 3/2009 Tang  
 7,529,155 B2 5/2009 Fasciano  
 D595,858 S 7/2009 Kazel  
 D602,386 S 10/2009 Ueda et al.  
 D610,476 S 2/2010 Daniel  
 D637,094 S 5/2011 Cobbett et al.  
 D637,506 S 5/2011 Toyoshima et al.  
 D645,360 S 9/2011 Kiser et al.  
 D656,856 S 4/2012 Kleinberg  
 D664,880 S 8/2012 Cobbett et al.  
 D664,881 S 8/2012 Cobbett et al.  
 D664,882 S 8/2012 Cobbett et al.  
 D667,126 S 9/2012 Cho et al.  
 D669,382 S 10/2012 Alvarez et al.  
 D669,383 S 10/2012 Cobbett et al.  
 D669,384 S 10/2012 Alvarez et al.  
 8,296,983 B2 10/2012 Padgett et al.  
 D670,583 S 11/2012 Shaanan  
 D671,858 S 12/2012 Cobbett et al.  
 D672,667 S 12/2012 Mix  
 D677,190 S 3/2013 Cobbett et al.

D680,020 S 4/2013 Cobbett et al.  
 8,408,436 B2 4/2013 Berry et al.  
 D684,082 S 6/2013 Alvarez et al.  
 D684,497 S 6/2013 Cobbett et al.  
 D693,251 S 11/2013 Anderssen et al.  
 8,776,418 B1 7/2014 Martinez et al.  
 D718,647 S \* 12/2014 Roush ..... D10/70  
 D720,249 S 12/2014 Park et al.  
 D720,635 S 1/2015 Park et al.  
 D724,453 S \* 3/2015 Ogihara ..... D10/70  
 D725,510 S 3/2015 Henning  
 D727,183 S \* 4/2015 Park ..... D10/70  
 D727,759 S \* 4/2015 Martinez ..... D10/70  
 D729,453 S \* 5/2015 Provost ..... D28/48  
 D747,714 S \* 1/2016 Erbeus ..... D10/32  
 D749,002 S 2/2016 Park et al.  
 D749,569 S \* 2/2016 Ji ..... D10/38  
 D751,069 S \* 3/2016 Choi ..... D10/32  
 D752,043 S \* 3/2016 Ji ..... D10/38  
 D752,046 S \* 3/2016 Jun ..... D14/344  
 D752,578 S \* 3/2016 Ji ..... D14/344  
 2005/0237704 A1 10/2005 Ceresoli  
 2006/0203621 A1 9/2006 Brodmann  
 2010/0162472 A1 7/2010 Abraham  
 2010/0311544 A1 \* 12/2010 Robinette ..... A63B 24/00  
 482/8  
 2014/0107493 A1 4/2014 Yuen et al.  
 2014/0156196 A1 6/2014 Martinez et al.

OTHER PUBLICATIONS

US Office Action, dated Aug. 4, 2014, issued in U.S. Appl. No. 29/468,506.  
 US Notice of Allowance, dated Oct. 24, 2014, issued in U.S. Appl. No. 29/468,506.  
 US Notice of Allowance, dated Aug. 15, 2014, issued in U.S. Appl. No. 29/468,517.  
 US Notice of Allowance, dated Oct. 9, 2015 issued in U.S. Appl. No. 29/497,740.  
 US Notice of Allowance, dated Jan. 7, 2015, issued in U.S. Appl. No. 29/498,195.  
 US Notice of Allowance [Corrected Notice of Allowability for a Design Application], dated Feb. 10, 2015, issued in U.S. Appl. No. 29/498,195.  
 US Notice of Allowance, dated Jan. 7, 2015, issued in U.S. Appl. No. 29/499,065.  
 US Notice of Allowance [Corrected Notice of Allowability for a Design Application], dated Feb. 10, 2015, issued in U.S. Appl. No. 29/499,065.  
 US Office Action, dated Sep. 25, 2015, issued in U.S. Appl. No. 29/500,837.  
 Fitbit Flex Wireless Activity+ Sleep Wristband, Amazon.com, first reviewed on Apr. 16, 2013, only. Site visited Jul. 22, 2014. Internet URL: <<"http://www.amazon.com/Fitbit-Wireless-Activity-Sleep-Wristband/dp/B00BGO0Q90/ref=cm\_cr\_pr\_product\_top">, 1 page.

\* cited by examiner

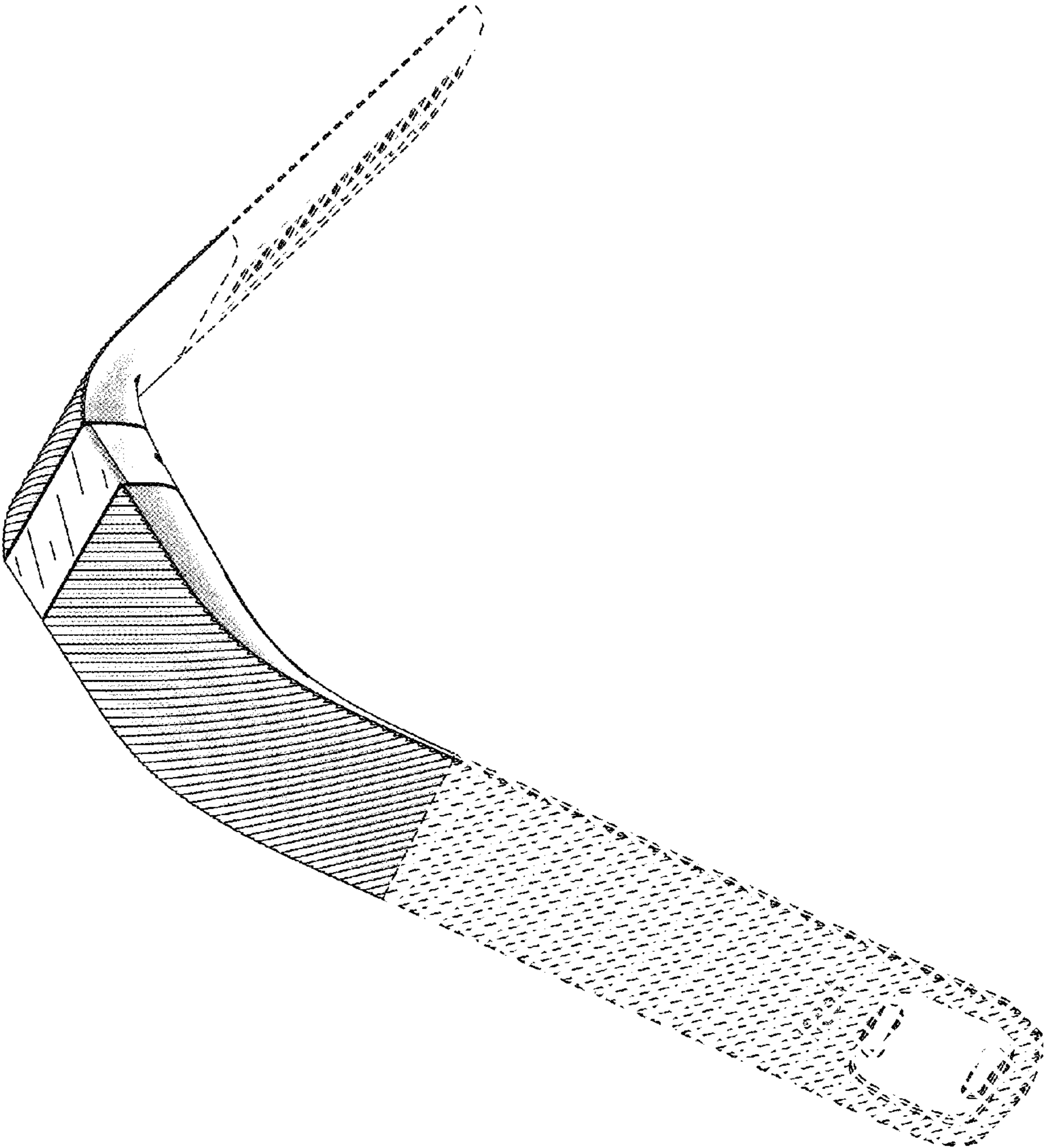


Figure 1

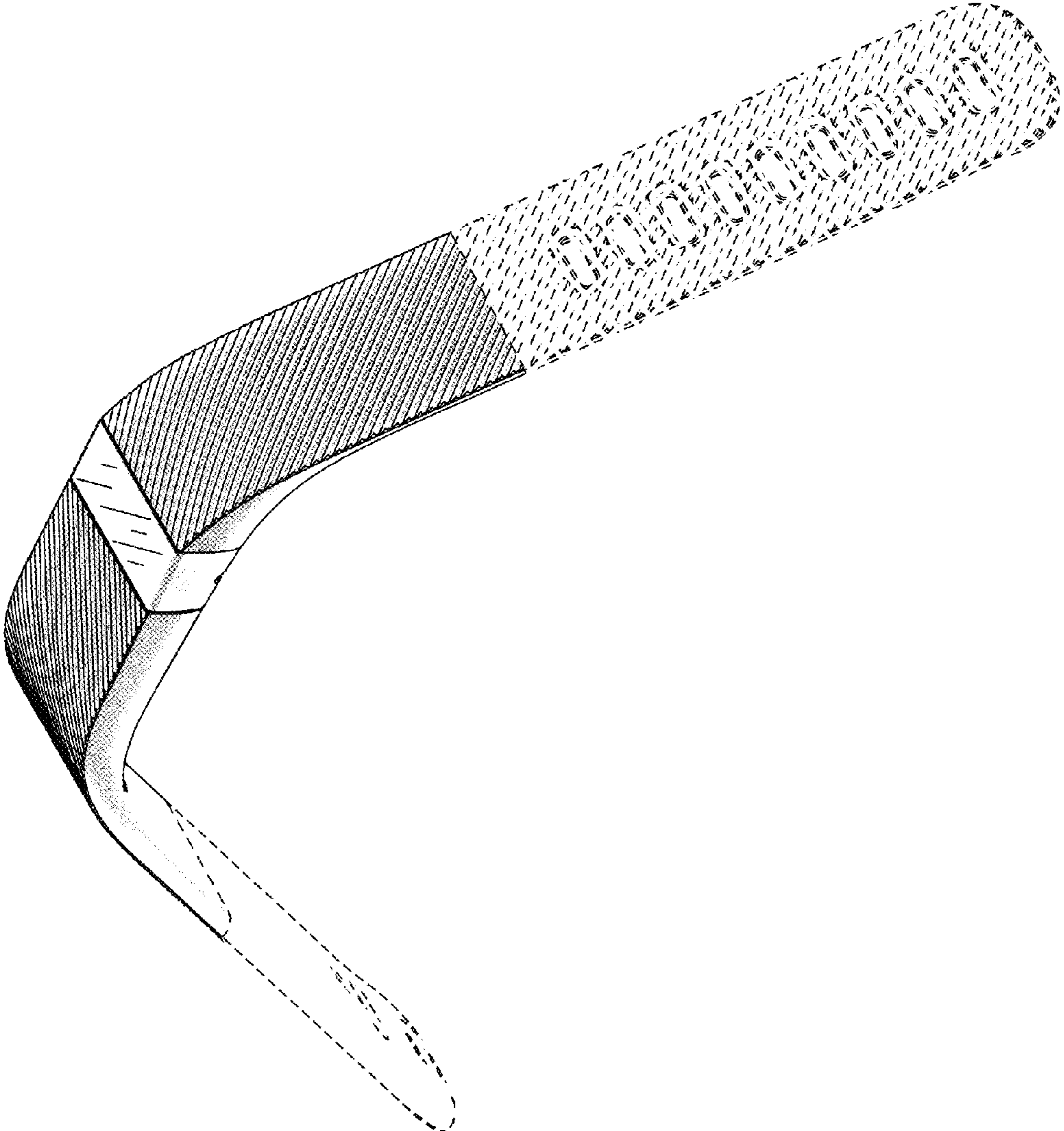


Figure 2

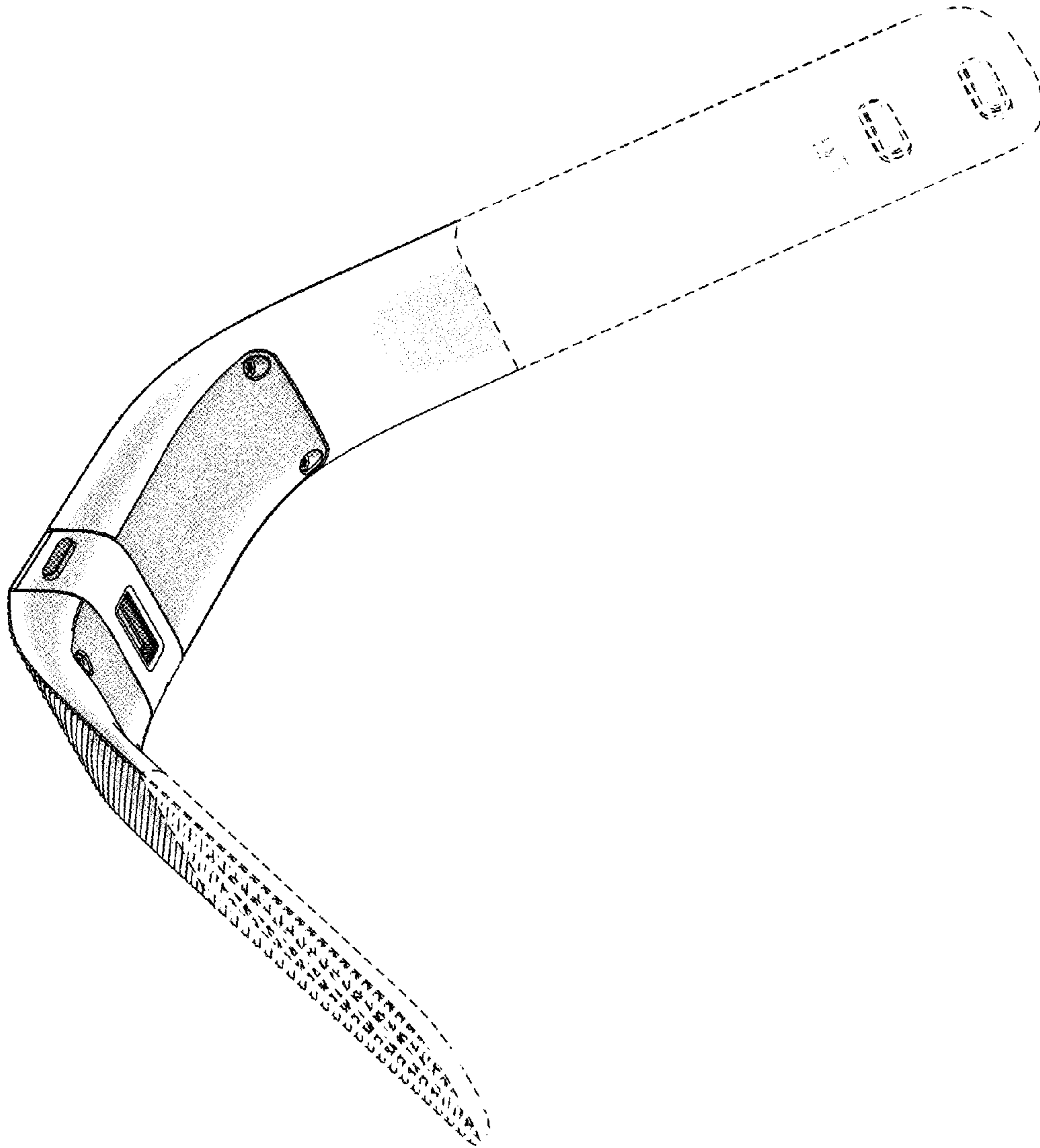


Figure 3

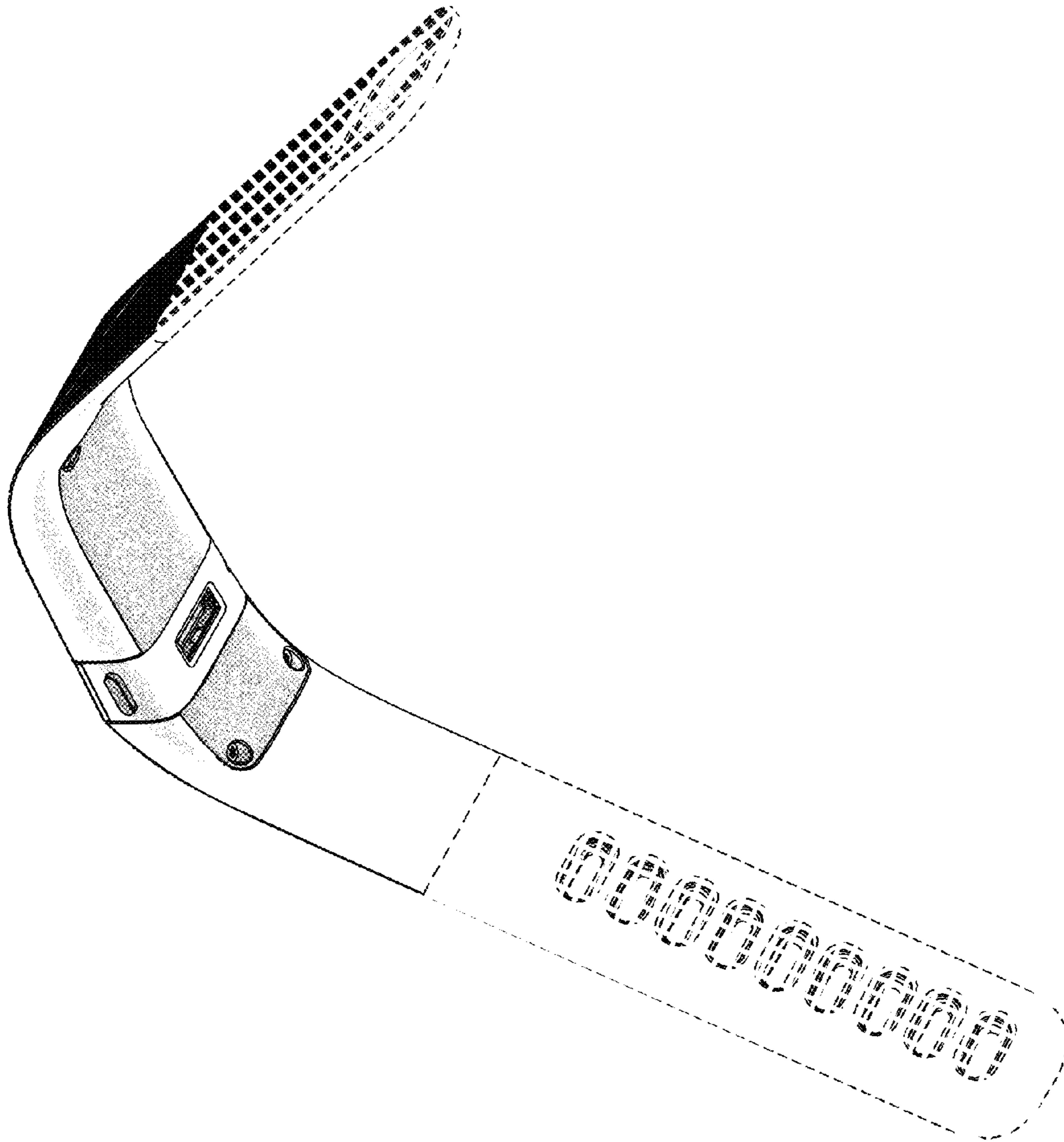


Figure 4

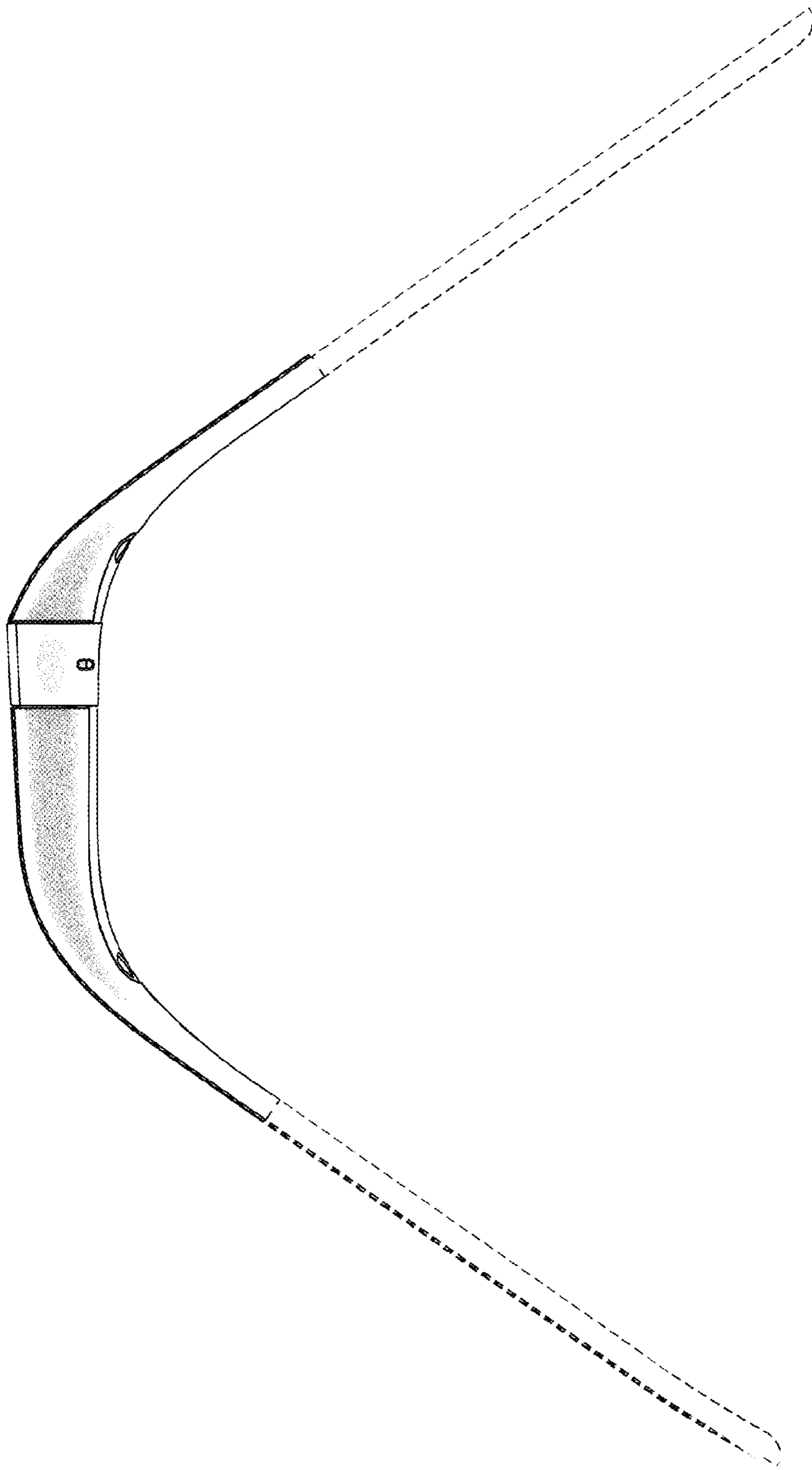


Figure 5

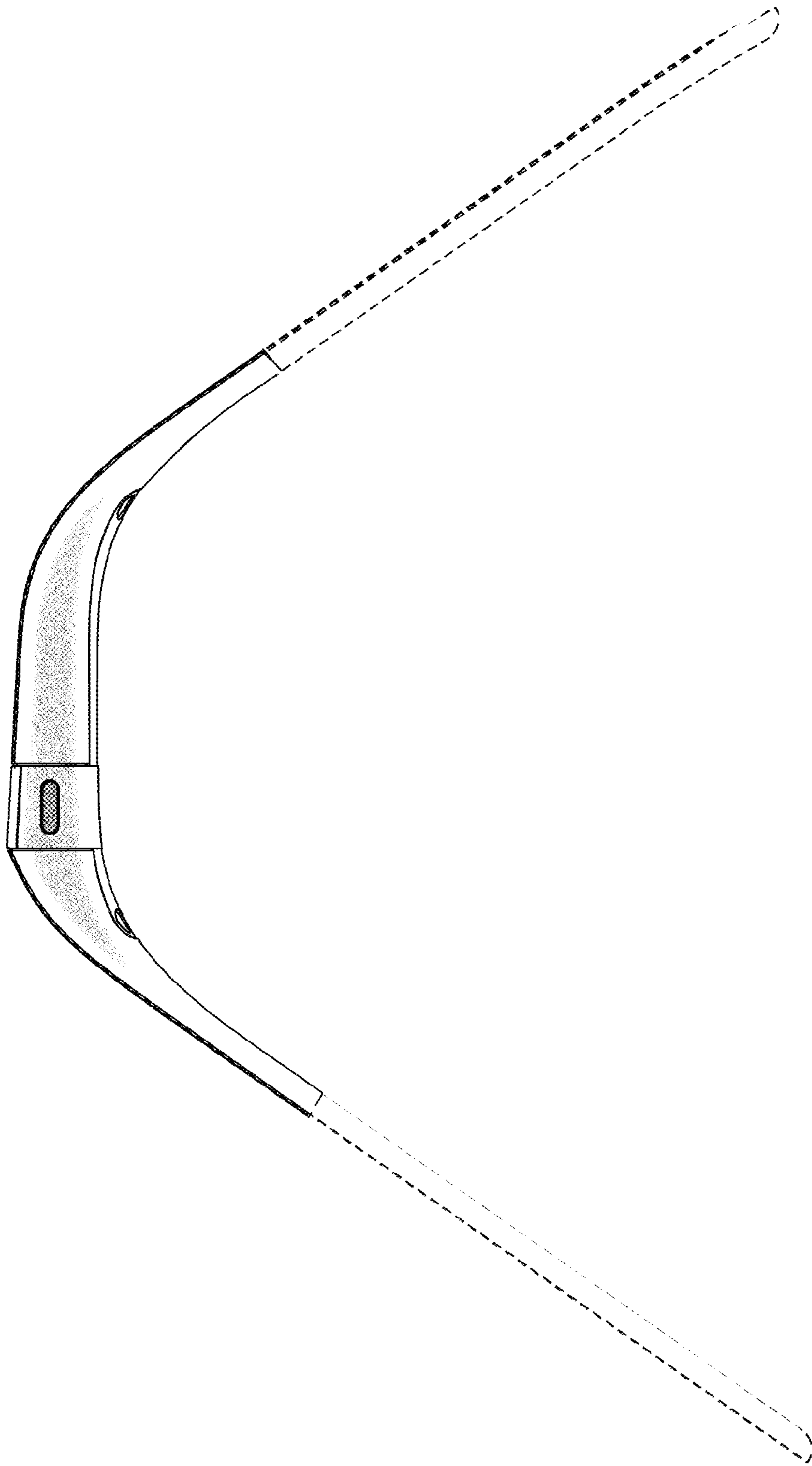


Figure 6



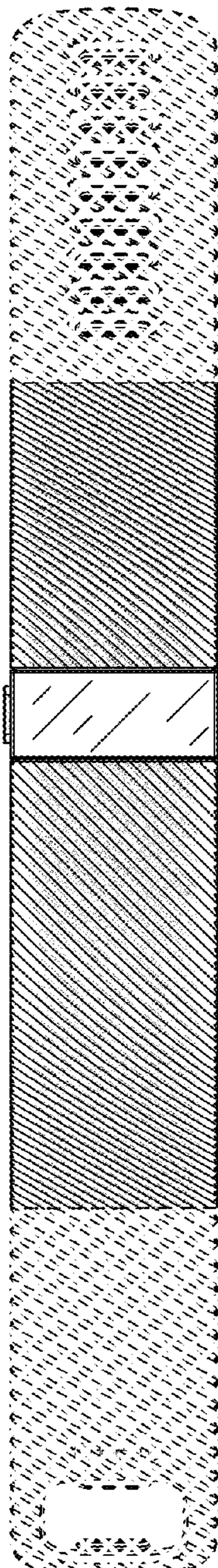


Figure 7

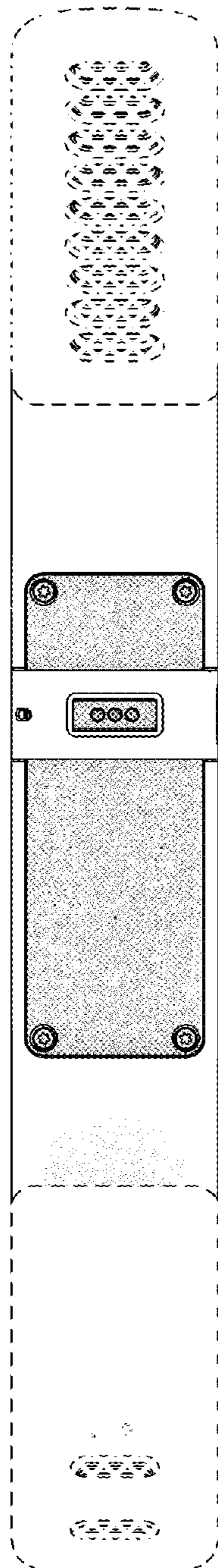


Figure 8

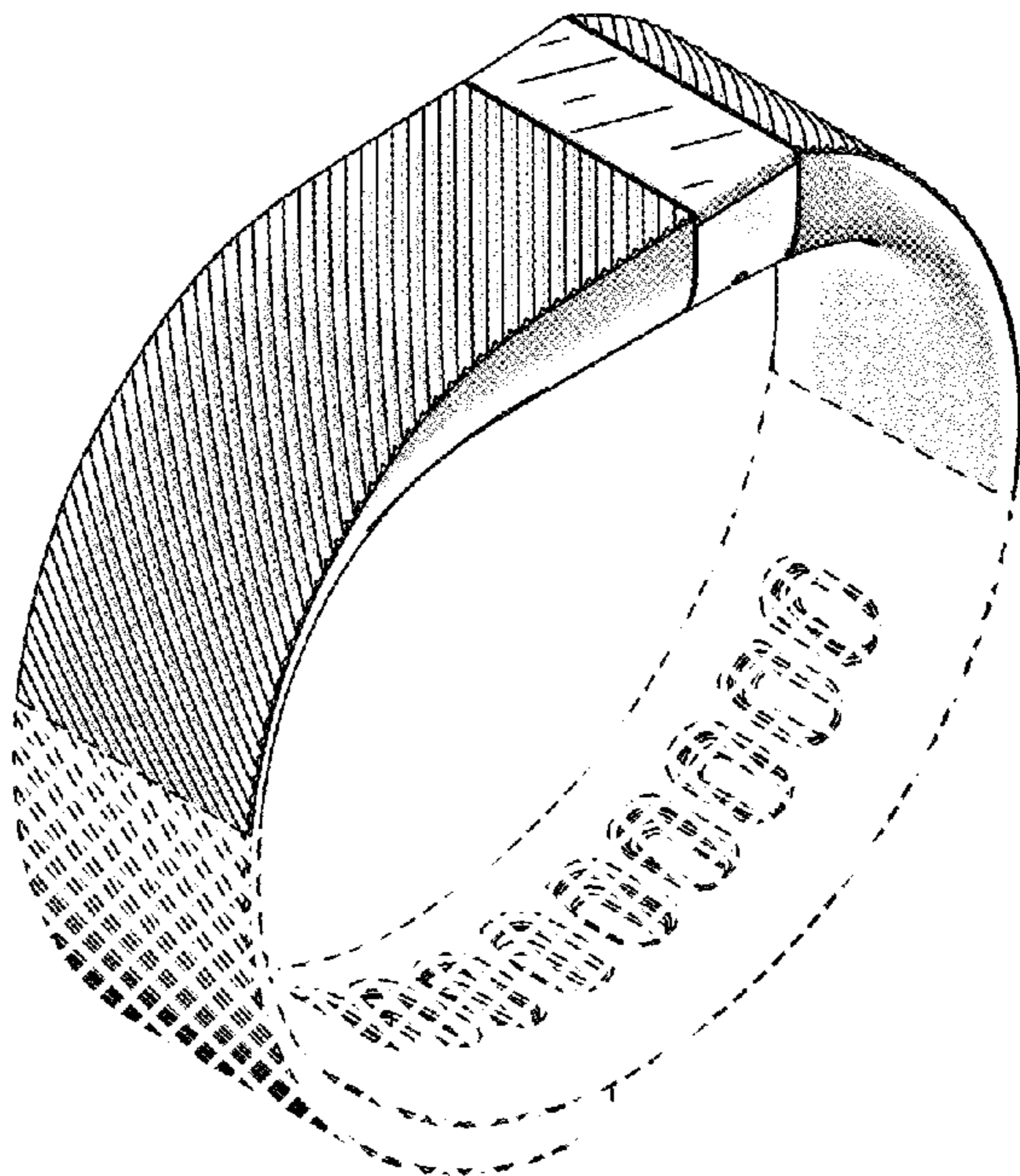


Figure 11

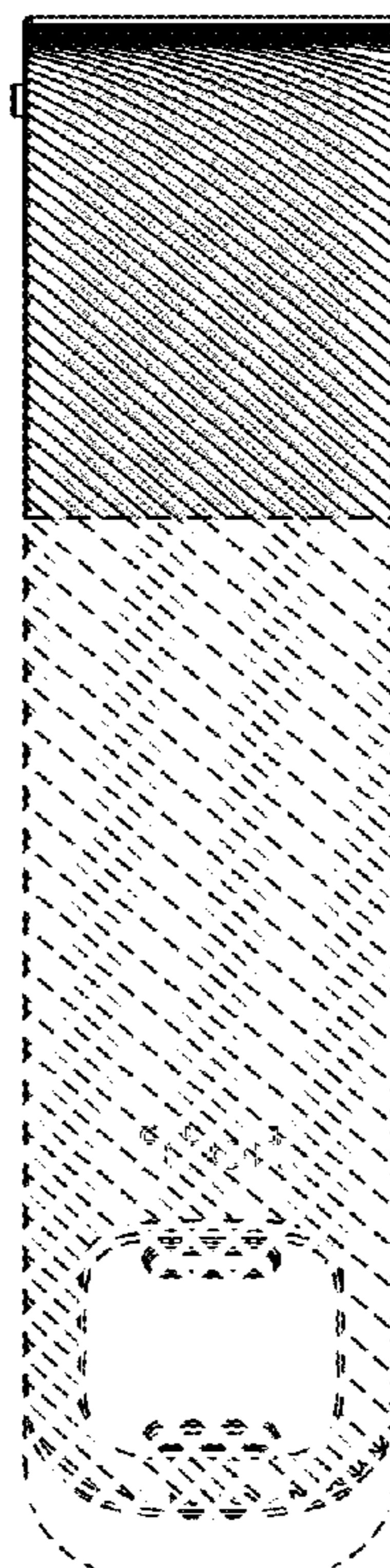


Figure 9

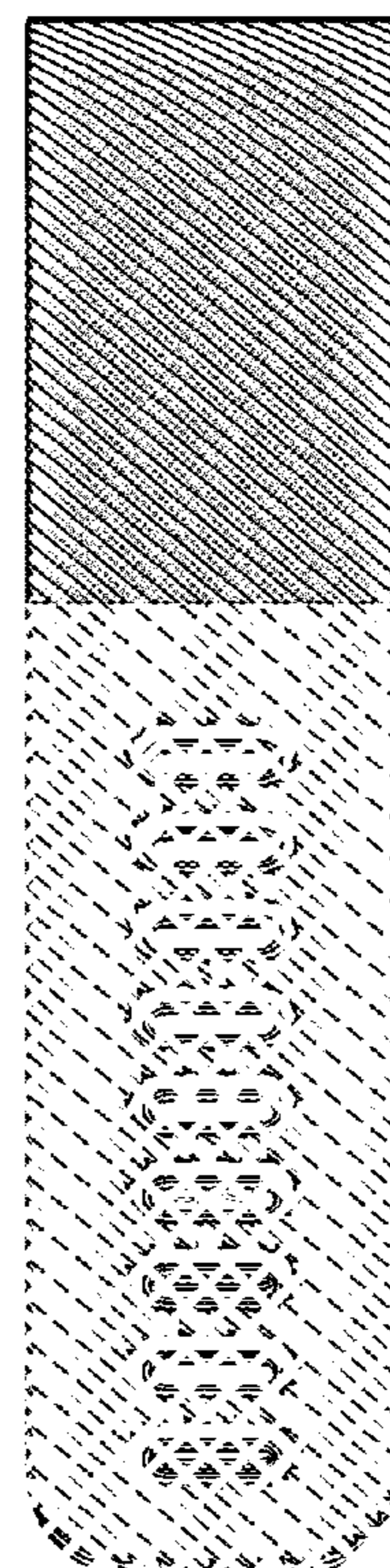


Figure 10