



US00D766757S

(12) **United States Design Patent**
Matteo

(10) **Patent No.:** **US D766,757 S**

(45) **Date of Patent:** **** Sep. 20, 2016**

- (54) **LASER TOOL**
- (71) Applicant: **Black & Decker Inc.**, Newark (DE)
- (72) Inventor: **Michael T. Matteo**, West Hartford, CT (US)
- (73) Assignee: **BLACK & DECKER INC.**, New Britain, CT (US)
- (**) Term: **14 Years**
- (21) Appl. No.: **29/520,967**
- (22) Filed: **Mar. 19, 2015**
- (51) **LOC (10) Cl.** **10-04**
- (52) **U.S. Cl.**
USPC **D10/70**
- (58) **Field of Classification Search**
USPC D10/66, 70; 33/290–292
CPC G01C 15/00; G01C 15/06; G01C 15/002;
G01C 15/004; G01C 15/08; G01C 15/10;
G01C 15/105; G01C 15/12; G01C 15/14;
G01C 21/16; G01C 21/165; G01C 25/00;
G01C 1/04; G01C 3/08; G01S 19/49; G01S
19/51; G01S 5/12; G01S 5/16
See application file for complete search history.

- 7,178,250 B2 * 2/2007 Nash G01C 15/004
33/286
- D538,683 S * 3/2007 Ishii D10/66
- D538,688 S * 3/2007 Snider D10/69
- D538,691 S * 3/2007 Munroe D10/66
- 7,191,532 B2 * 3/2007 Long 33/286
- 7,204,027 B2 * 4/2007 Tacklind G01C 15/004
33/286
- D573,045 S * 7/2008 Levinson D10/66
- 7,454,839 B2 * 11/2008 Della Bona F16M 11/14
33/281
- 7,538,326 B2 * 5/2009 Johnson G01C 3/08
250/332
- 7,685,723 B2 * 3/2010 Kallabis G01C 15/004
33/286
- 8,307,562 B2 * 11/2012 Bascom G01C 15/00
33/283
- D678,788 S * 3/2013 Kollmann D10/70
- 8,668,182 B2 * 3/2014 Steffen G01D 11/30
248/558
- 8,730,477 B2 * 5/2014 Ruhland G01S 7/4813
356/4.01
- 9,046,340 B2 * 6/2015 Li G01S 17/10

* cited by examiner

Primary Examiner — Antoine D Davis

(74) *Attorney, Agent, or Firm* — Stephen R. Valancius

(57) **CLAIM**

The ornamental design for a laser tool, as shown and described.

DESCRIPTION

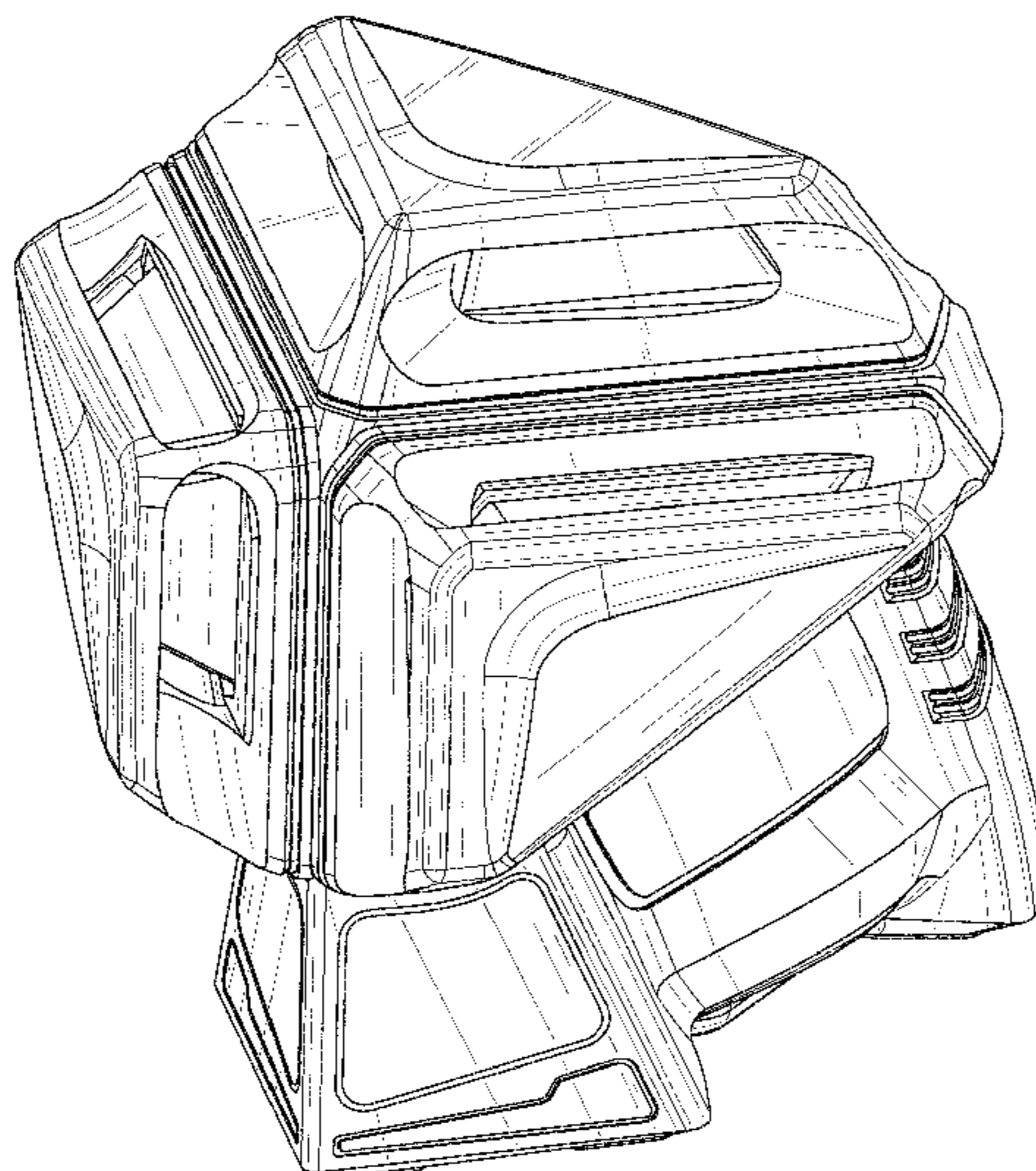
FIG. 1 is a perspective view of our new design.
 FIG. 2 is a front view thereof.
 FIG. 3 is a rear view thereof.
 FIG. 4 is a left side view thereof.
 FIG. 5 is a right side view thereof.
 FIG. 6 is a top view thereof; and,
 FIG. 7 is a bottom view thereof.
 The broken lines in the drawings are provided for the purposes of environment and form no part of the claimed invention.

1 Claim, 7 Drawing Sheets

(56) **References Cited**

U.S. PATENT DOCUMENTS

- 5,182,863 A * 2/1993 Rando G01B 3/00
33/227
- 6,763,595 B1 * 7/2004 Hersey G01C 15/004
33/286
- D504,340 S * 4/2005 Concari D10/70
- D517,933 S * 3/2006 Concari D10/70
- 7,111,406 B2 * 9/2006 Sergyeyenko G01C 15/002
33/291
- 7,134,211 B2 * 11/2006 Bascom G01C 15/002
33/286
- 7,174,648 B2 * 2/2007 Long G01C 15/002
33/286



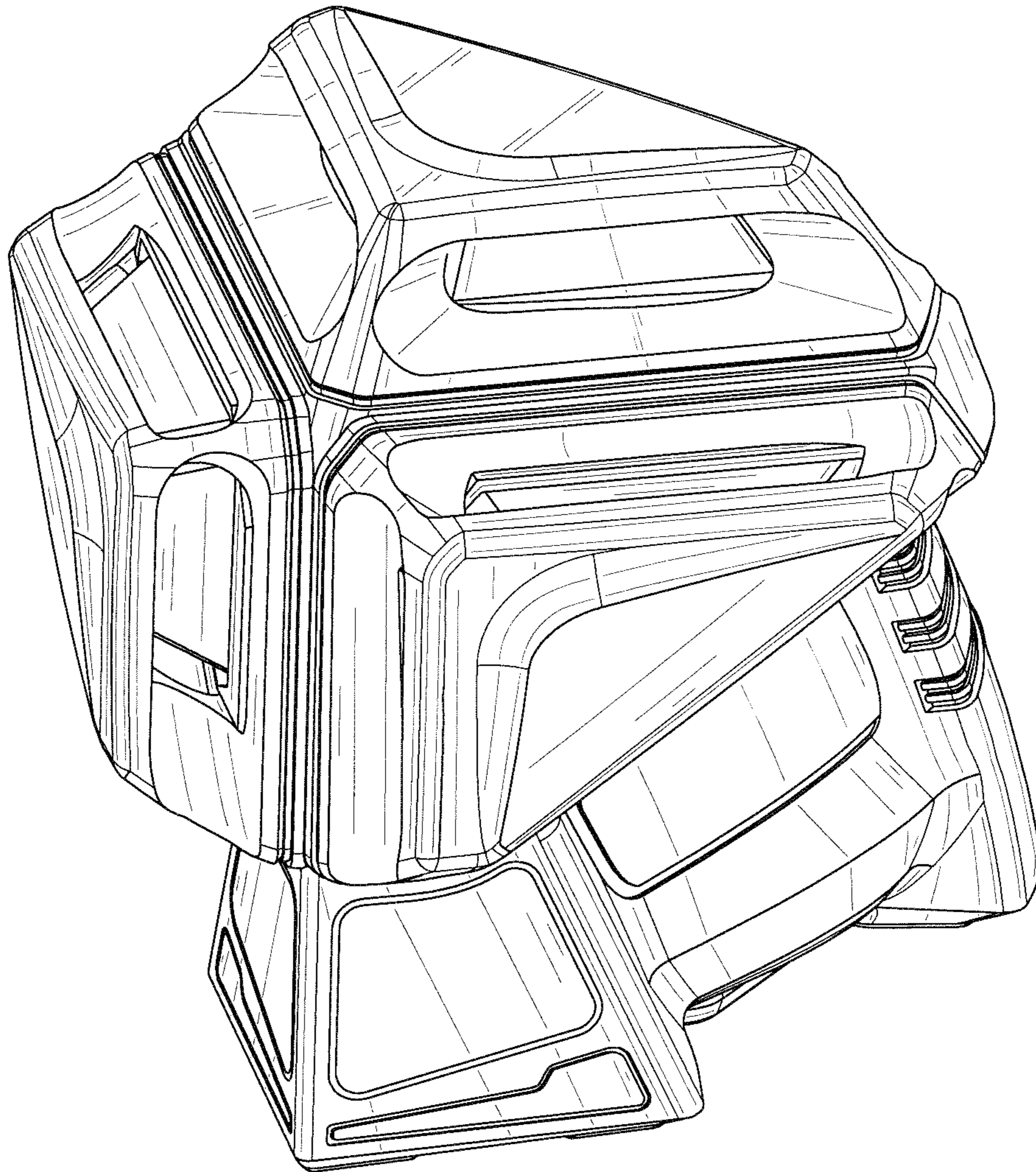


FIG. 1

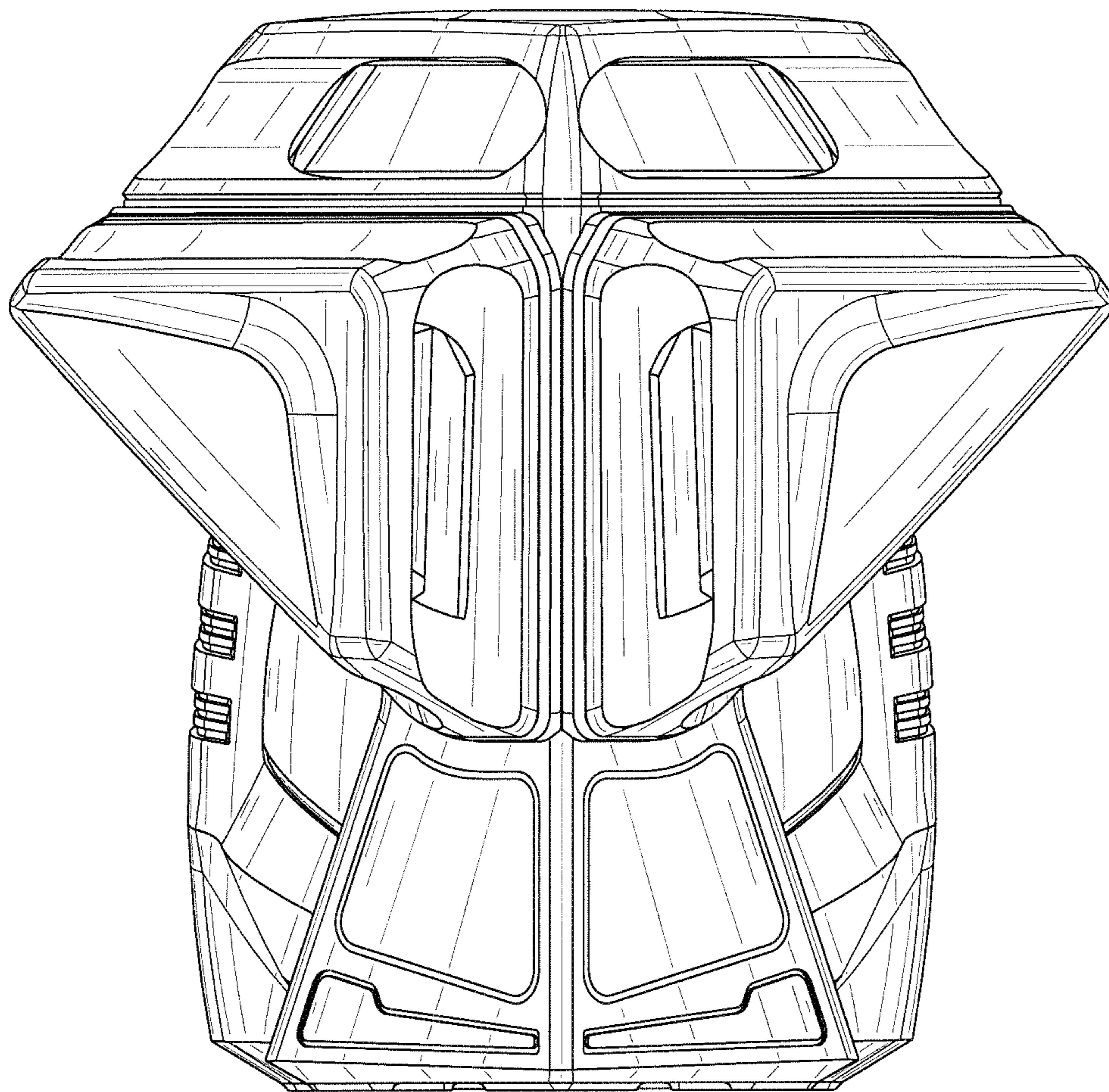


FIG. 2

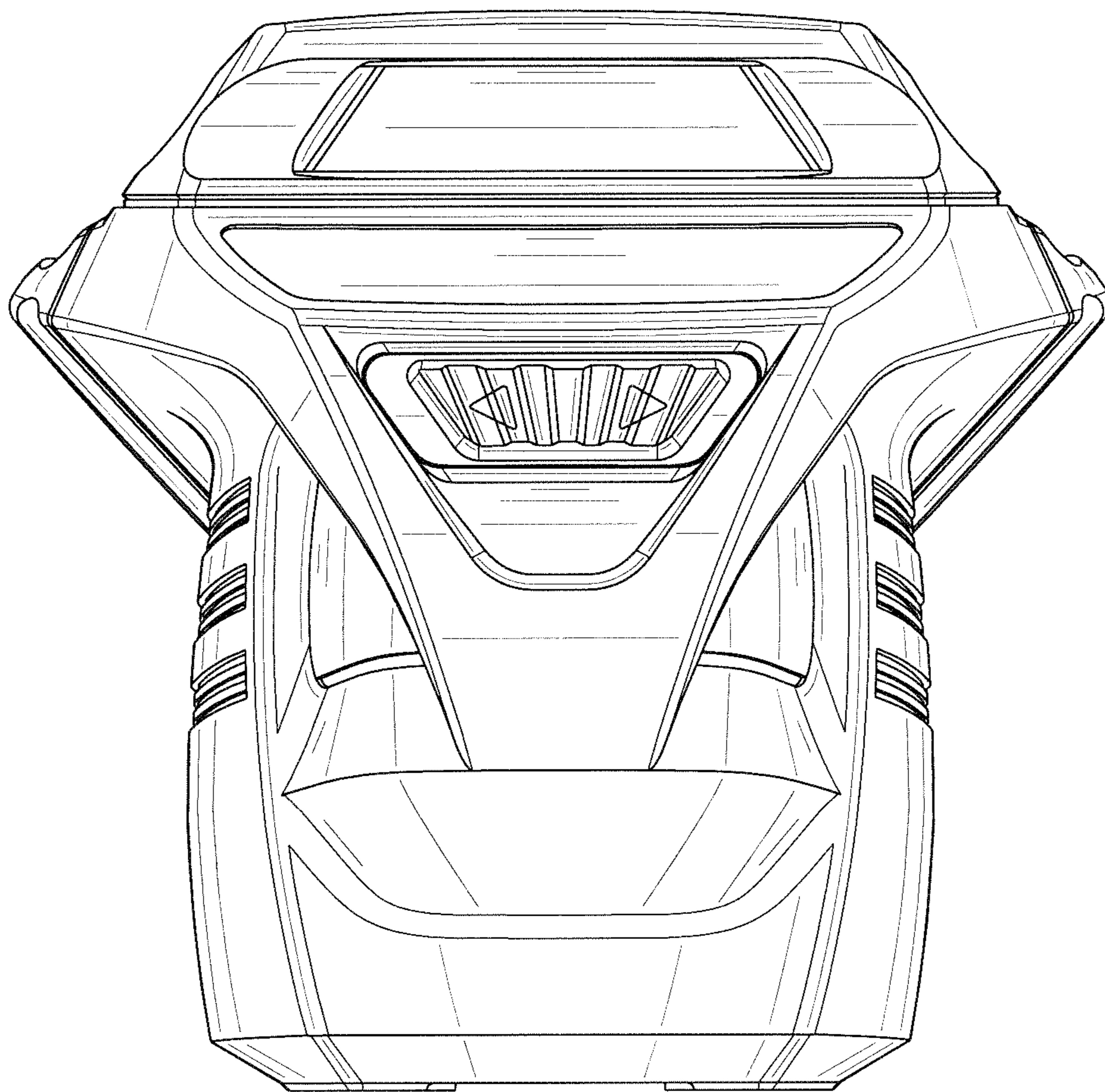


FIG. 3

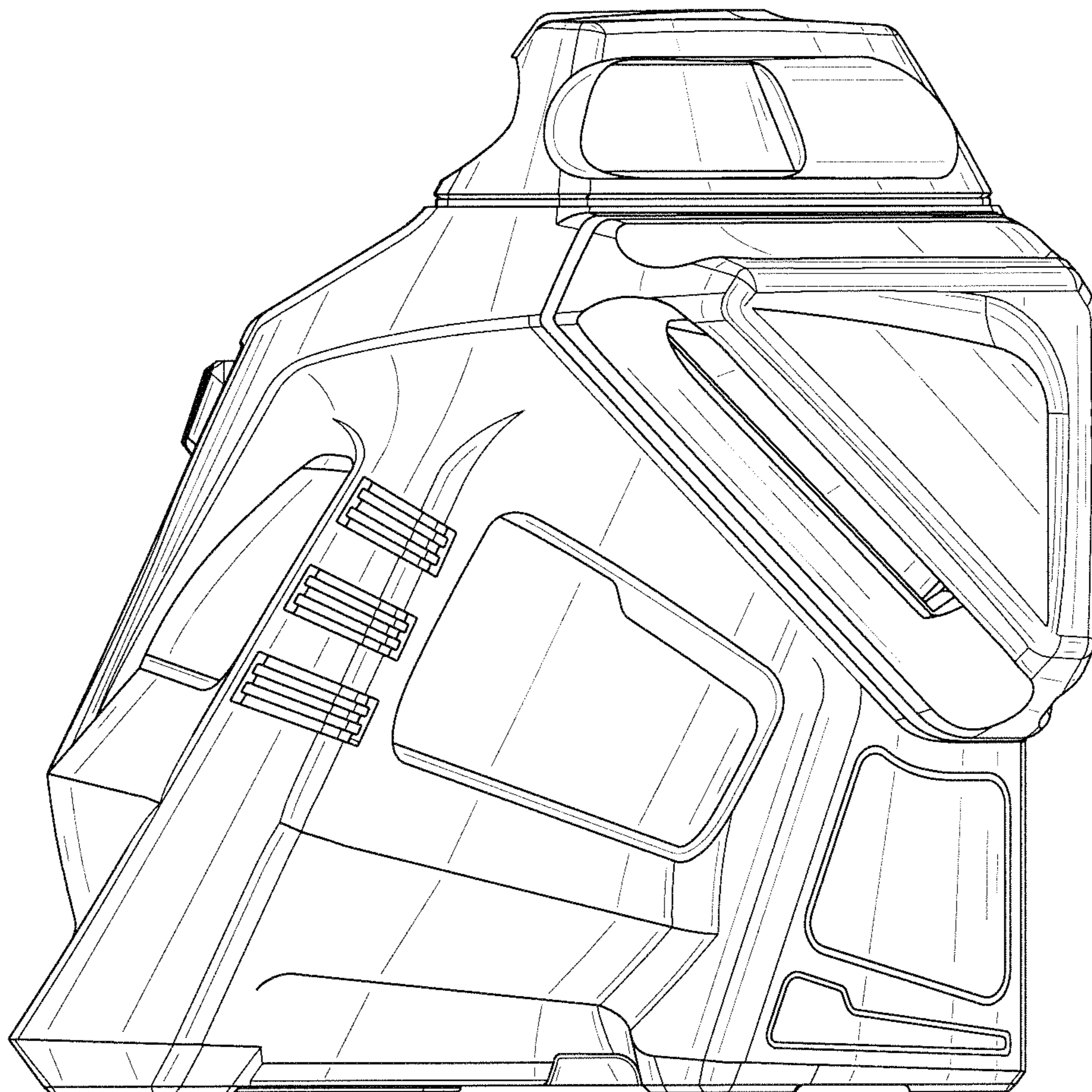


FIG. 4

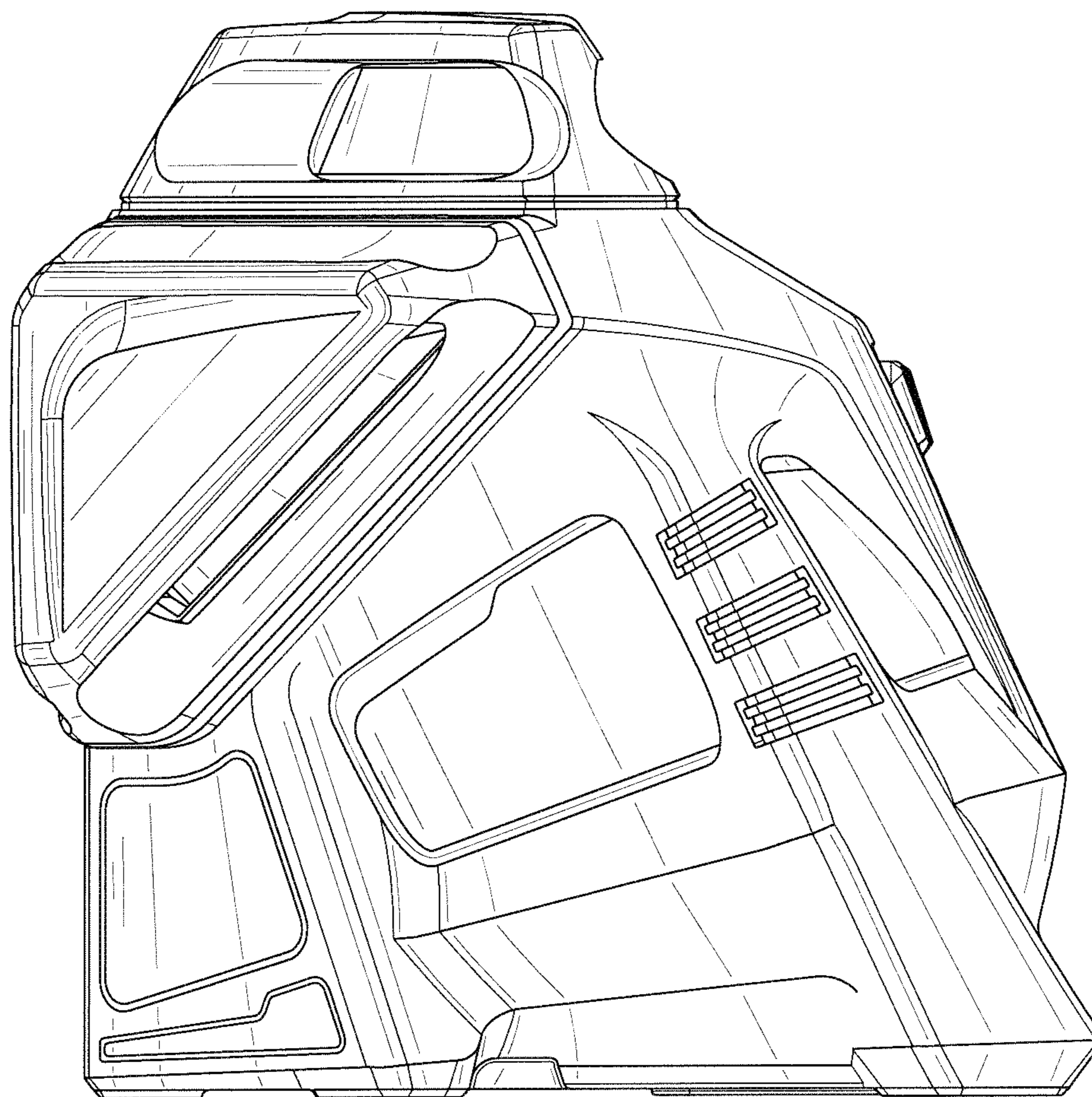


FIG. 5

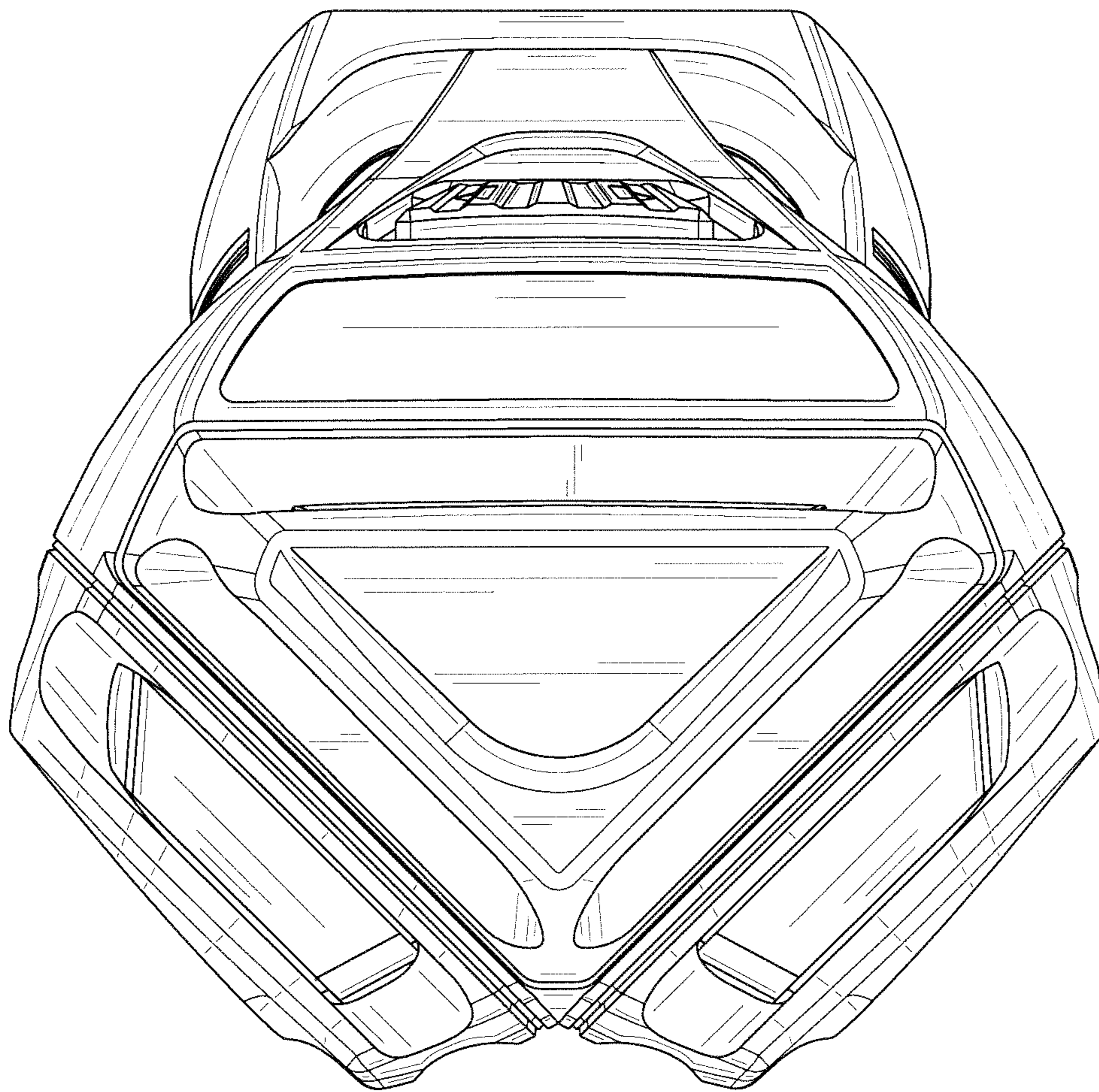


FIG. 6

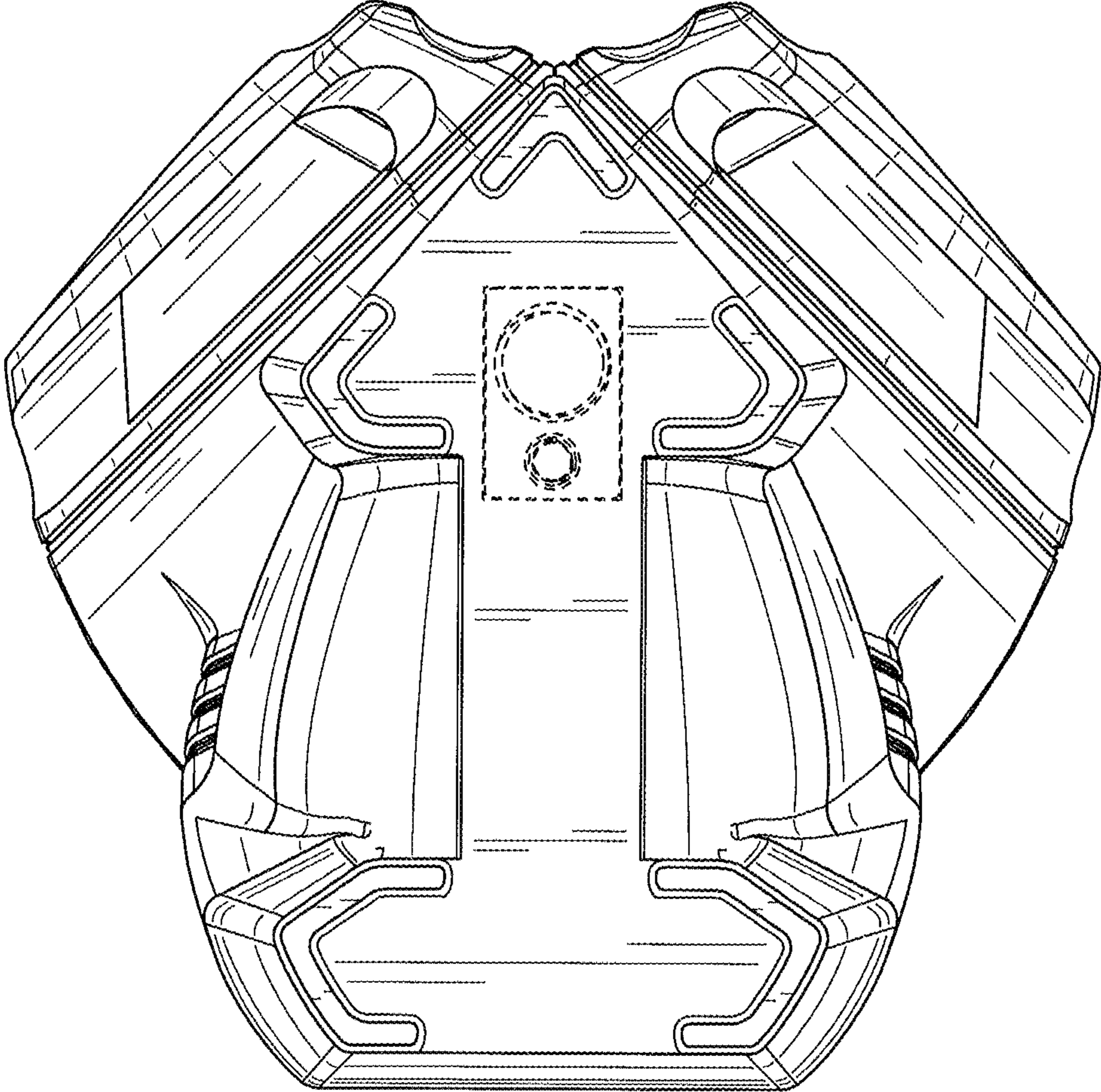


FIG. 7