

US00D766756S

(12) **United States Design Patent** (10) **Patent No.:** **US D766,756 S**
Franc (45) **Date of Patent:** **** Sep. 20, 2016**

(54) **DETECTION DEVICE**

(71) Applicant: **SCHNEIDER ELECTRIC INDUSTRIES SAS**, Rueil Malmaison (FR)

(72) Inventor: **Aurelien Franc**, Marthon (FR)

(73) Assignee: **SCHNEIDER ELECTRIC INDUSTRIES SAS**, Rueil Malmaison (FR)

(**) Term: **14 Years**

(21) Appl. No.: **29/517,414**

(22) Filed: **Feb. 12, 2015**

(30) **Foreign Application Priority Data**

Aug. 26, 2014 (FR) 002525659-0001

(51) **LOC (10) Cl.** **10-04**

(52) **U.S. Cl.**
USPC **D10/70**

(58) **Field of Classification Search**
USPC D10/46
See application file for complete search history.

(56) **References Cited**

U.S. PATENT DOCUMENTS

D659,036 S * 5/2012 Madsen D10/65
D688,960 S * 9/2013 Santos D10/70

OTHER PUBLICATIONS

U.S. Appl. No. 29/517,395, filed Feb. 12, 2015, Franc.

U.S. Appl. No. 29/517,404, filed Feb. 12, 2015, Franc.

* cited by examiner

Primary Examiner — Antoine D Davis

(74) *Attorney, Agent, or Firm* — Oblon, McClelland, Maier & Neustadt, L.L.P

(57) **CLAIM**

The ornamental design for a detection device, as shown and described.

DESCRIPTION

FIG. 1 is a front, bottom, and left side perspective view of a detection device;

FIG. 2 is a rear elevational view thereof;

FIG. 3 is a right side elevational view thereof;

FIG. 4 is a front elevational view thereof;

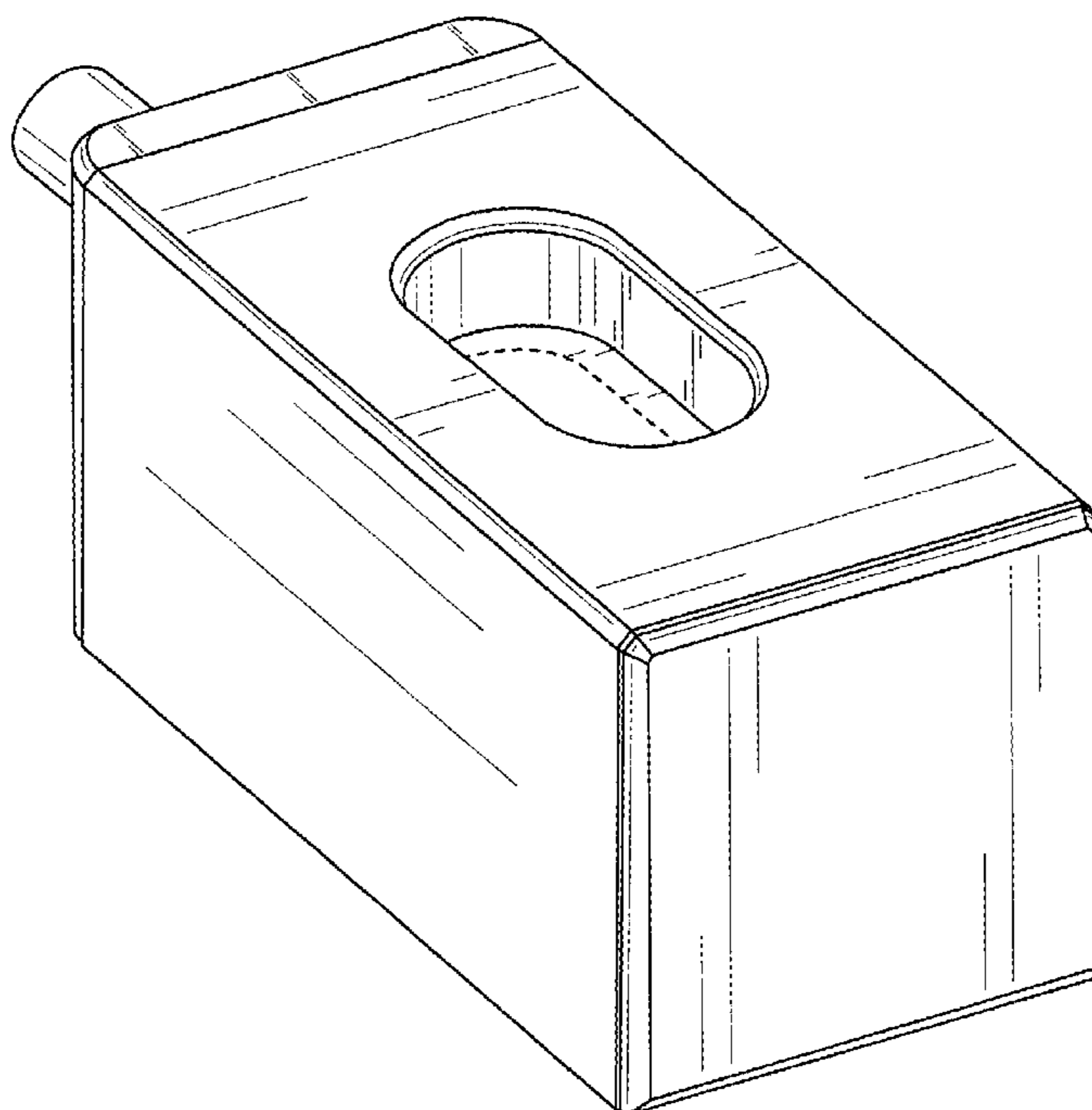
FIG. 5 is a left side elevational view thereof;

FIG. 6 is a bottom plan view thereof; and,

FIG. 7 is a top plan view thereof.

The broken lines in the drawings depict environmental subject matter only and form no part of the claimed design.

1 Claim, 7 Drawing Sheets



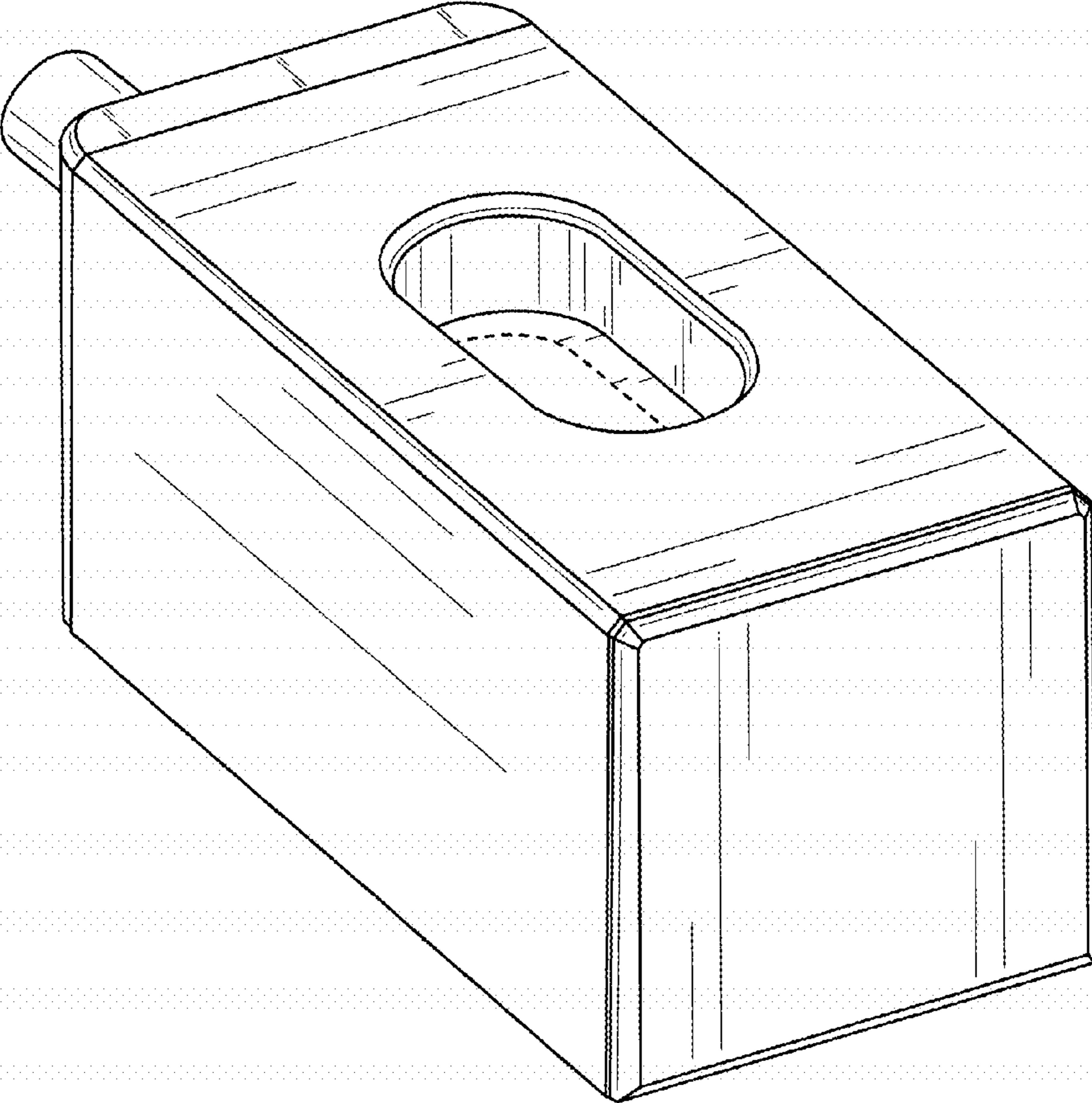


FIG. 1

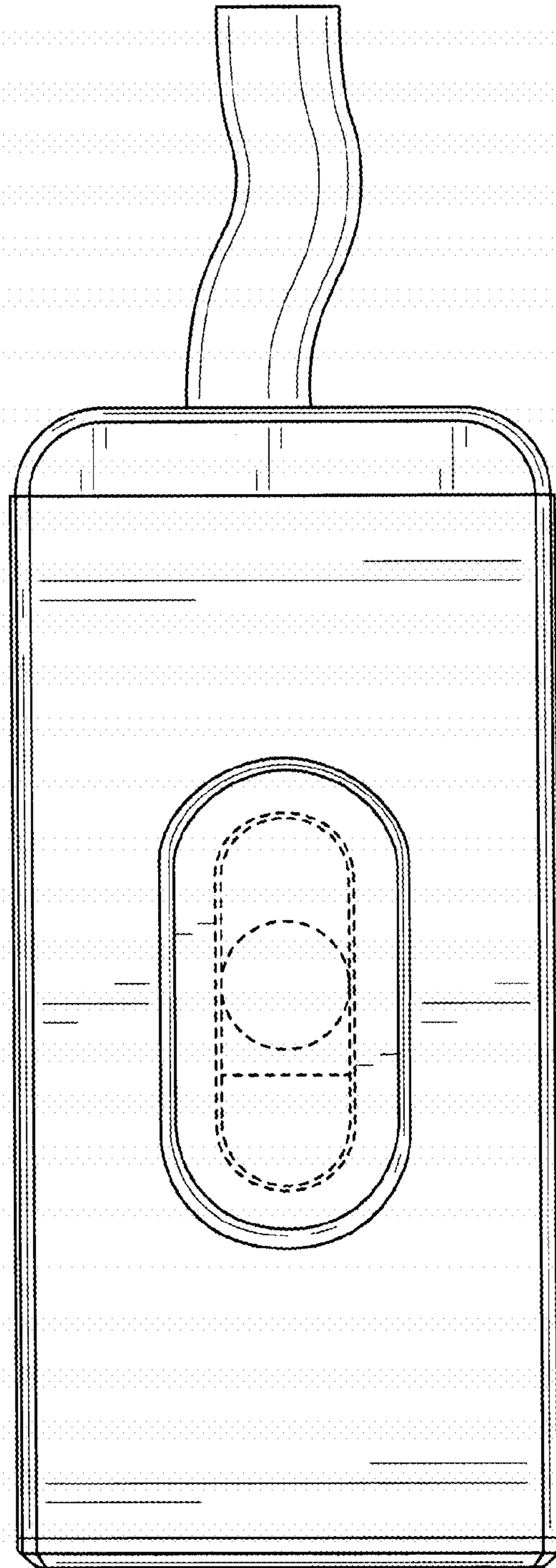


FIG. 2

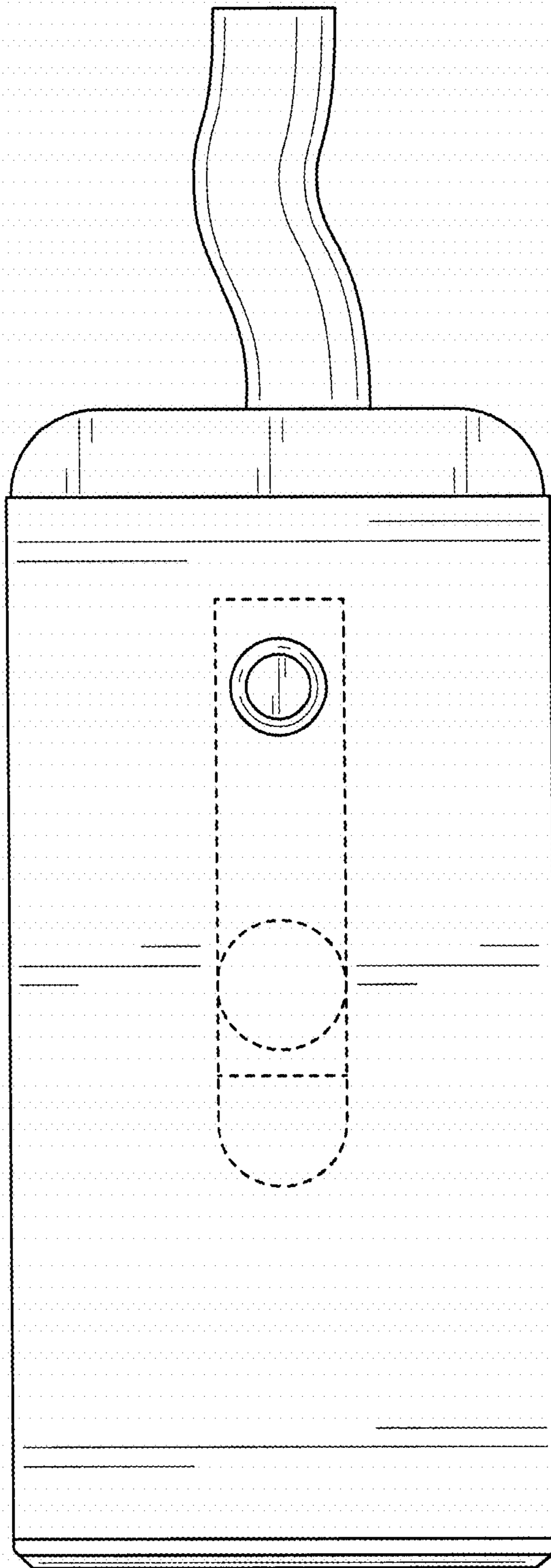


FIG. 3

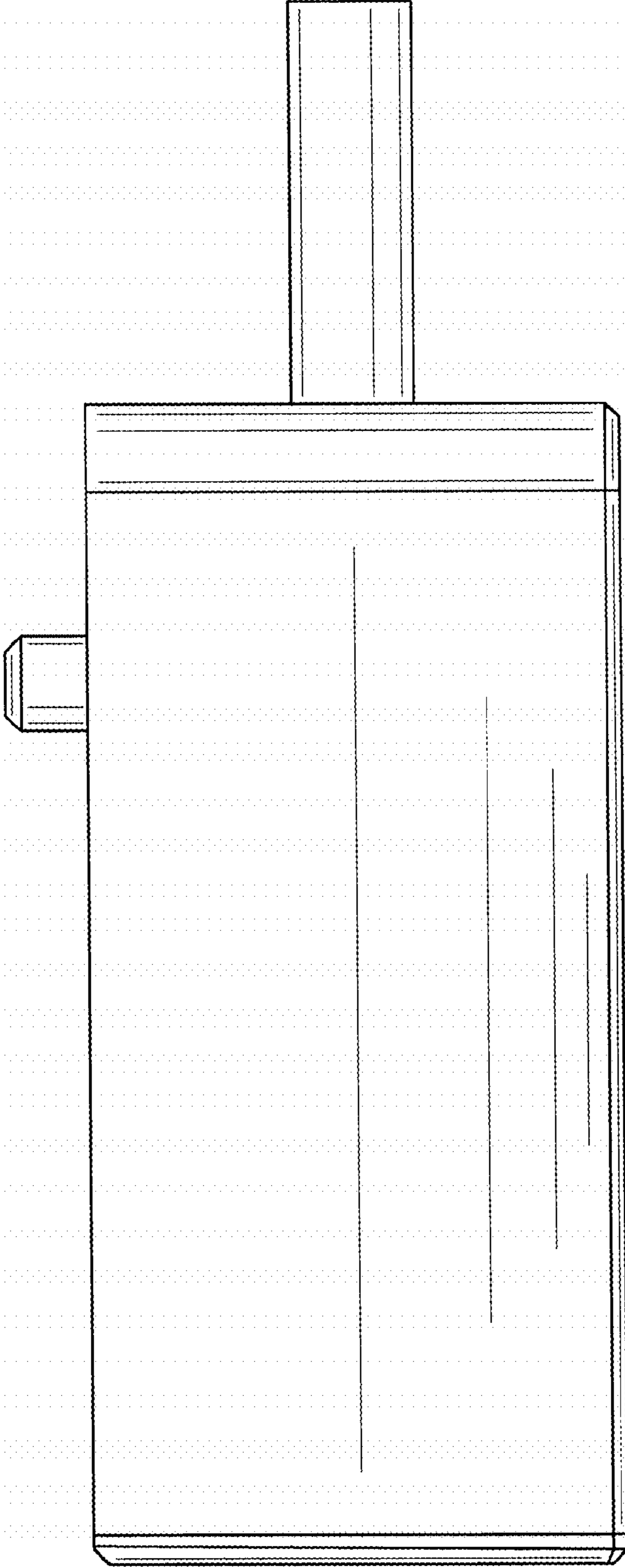


FIG. 4

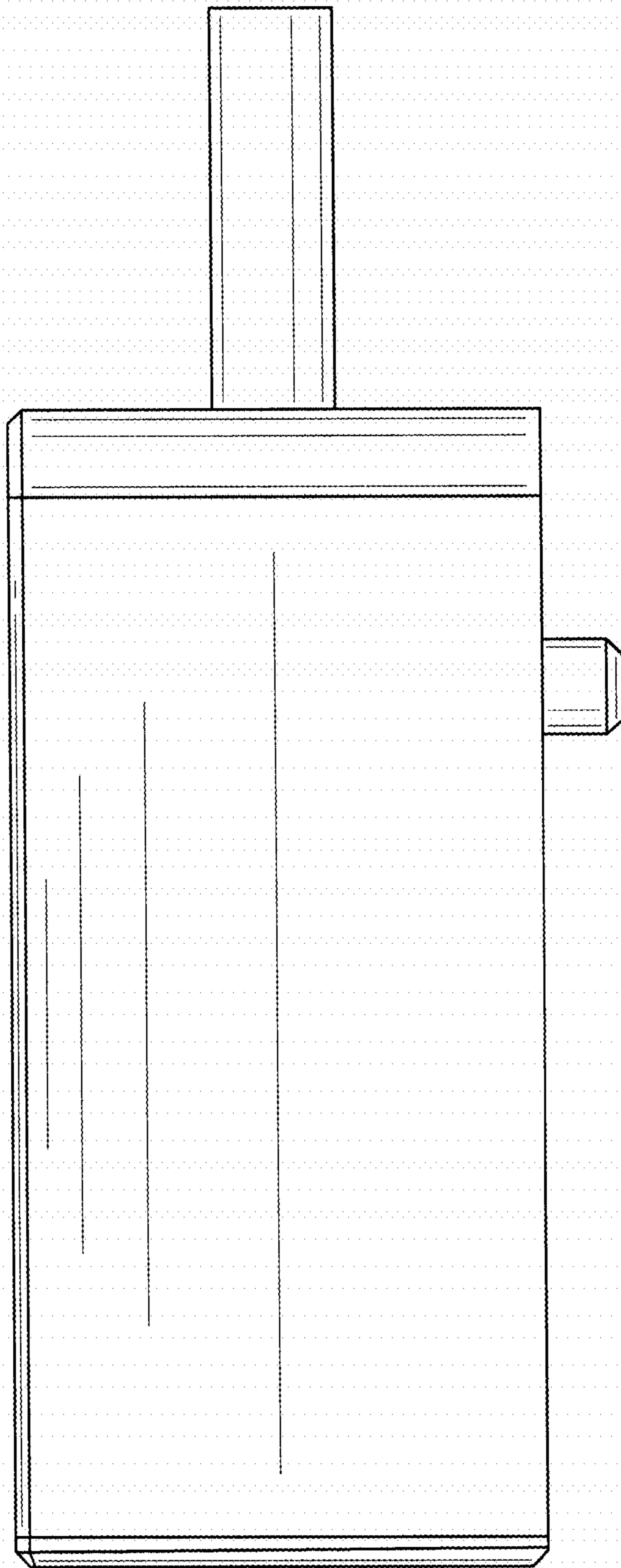


FIG. 5

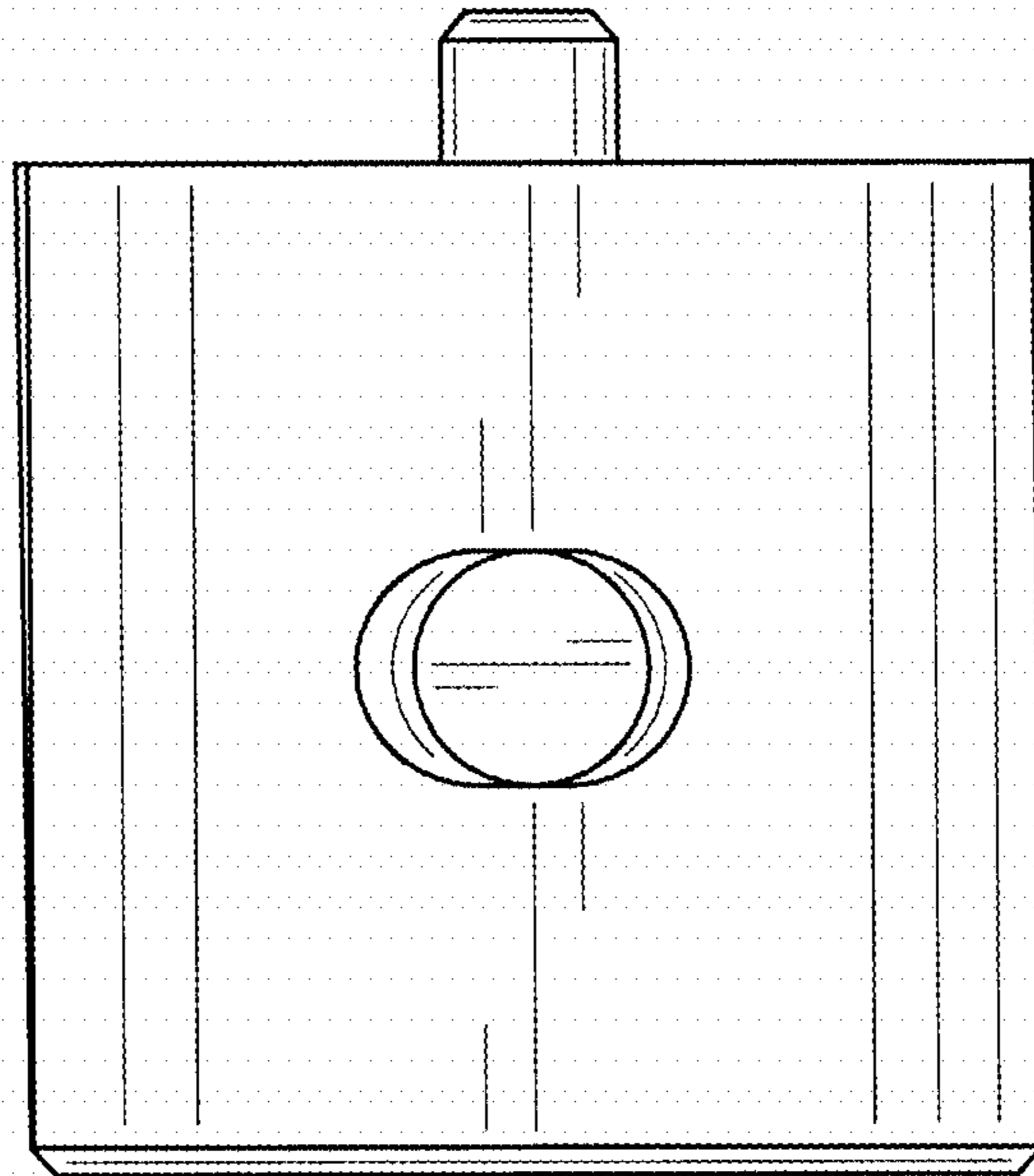


FIG. 6

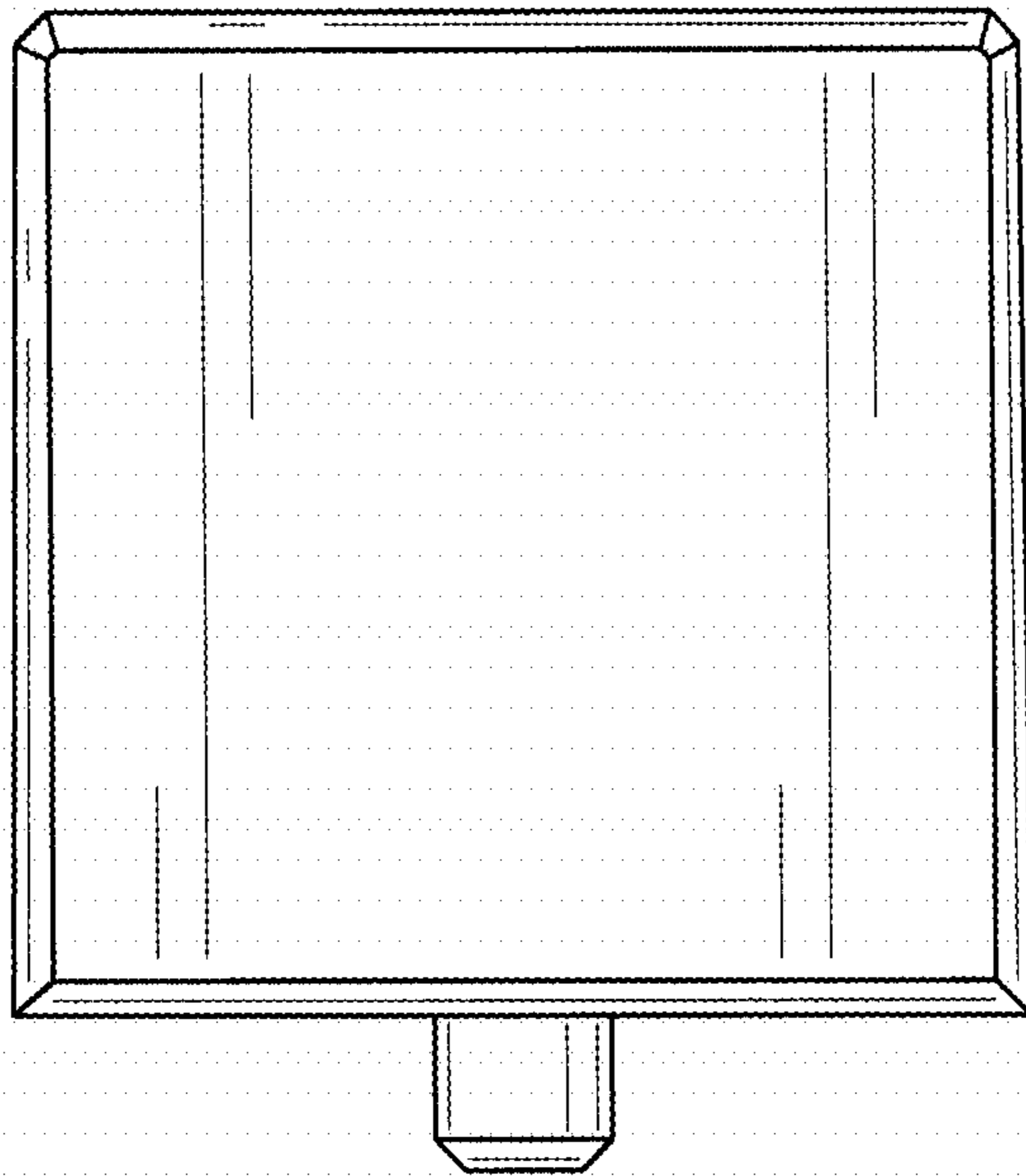


FIG. 7