



US00D766755S

(12) **United States Design Patent**
Ishii et al.

(10) **Patent No.:** **US D766,755 S**
(45) **Date of Patent:** **** Sep. 20, 2016**

(54) **SURVEYING INSTRUMENT MOUNTED ON VEHICLE**

CPC G01C 1/00-1/14
See application file for complete search history.

(71) Applicant: **KABUSHIKI KAISHA TOPCON,**
Tokyo (JP)

(56) **References Cited**

U.S. PATENT DOCUMENTS

(72) Inventors: **Mitsuo Ishii,** Tokyo (JP); **Takashi Shishido,** Tokyo (JP)

4,302,885 A * 12/1981 Levine G01C 19/38
33/228
5,144,487 A * 9/1992 Hersey G01B 11/26
33/DIG. 21

(73) Assignee: **KABUSHIKI KAISHA TOPCON,**
Tokyo (JP)

* cited by examiner

Primary Examiner — Antoine D Davis
(74) *Attorney, Agent, or Firm* — Oliff PLC

(**) Term: **15 Years**

(57) **CLAIM**

The ornamental design for a surveying instrument for mounting on a vehicle, as shown and described.

(21) Appl. No.: **29/529,924**

DESCRIPTION

(22) Filed: **Jun. 11, 2015**

FIG. 1 is a front elevational view of the surveying instrument for mounting on a vehicle;
FIG. 2 is a rear elevational view thereof;
FIG. 3 is a left-side elevational view thereof;
FIG. 4 is a right-side elevational view thereof;
FIG. 5 is a top plan view thereof;
FIG. 6 is a bottom plan view thereof;
FIG. 7 is a front, right-side, top perspective view thereof; and,
FIG. 8 is a rear, right-side, top perspective view thereof.
The broken lines depict environmental subject matter only and form no part of the claimed design.

(30) **Foreign Application Priority Data**

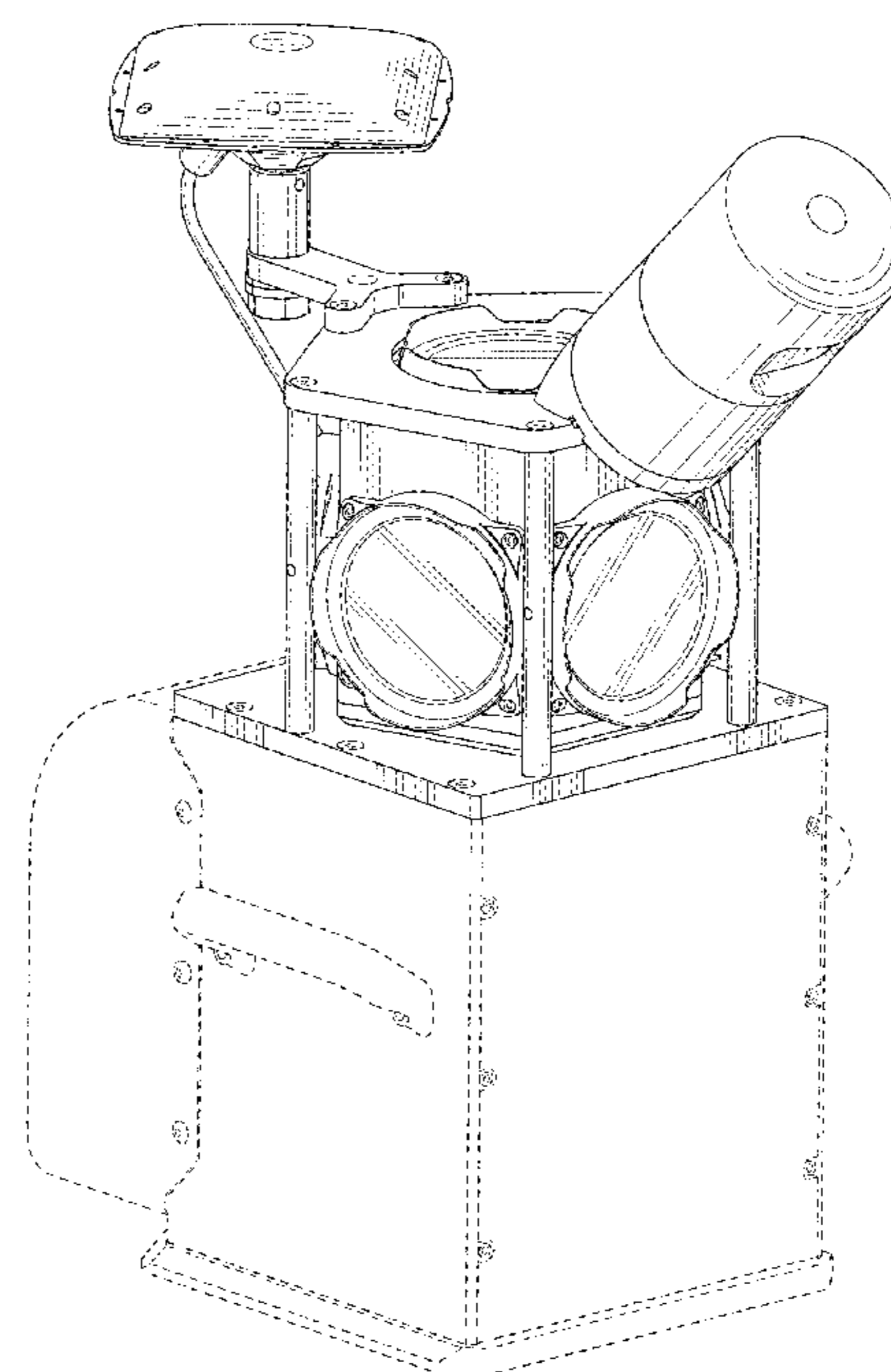
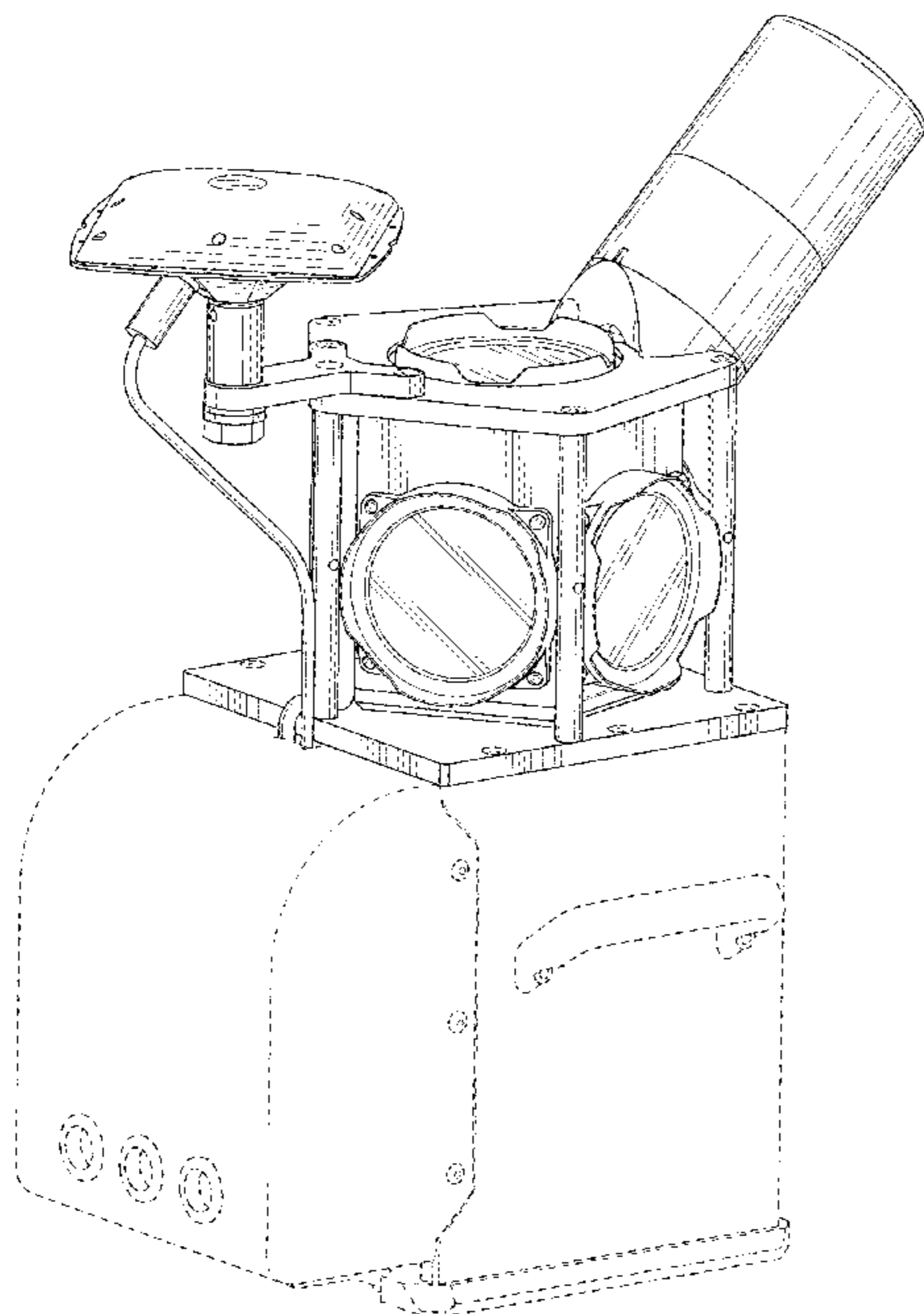
Mar. 18, 2015 (JP) 2015-005774

(51) **LOC (10) Cl.** **10-04**

(52) **U.S. Cl.**
USPC **D10/66**

(58) **Field of Classification Search**
USPC D10/66

1 Claim, 8 Drawing Sheets



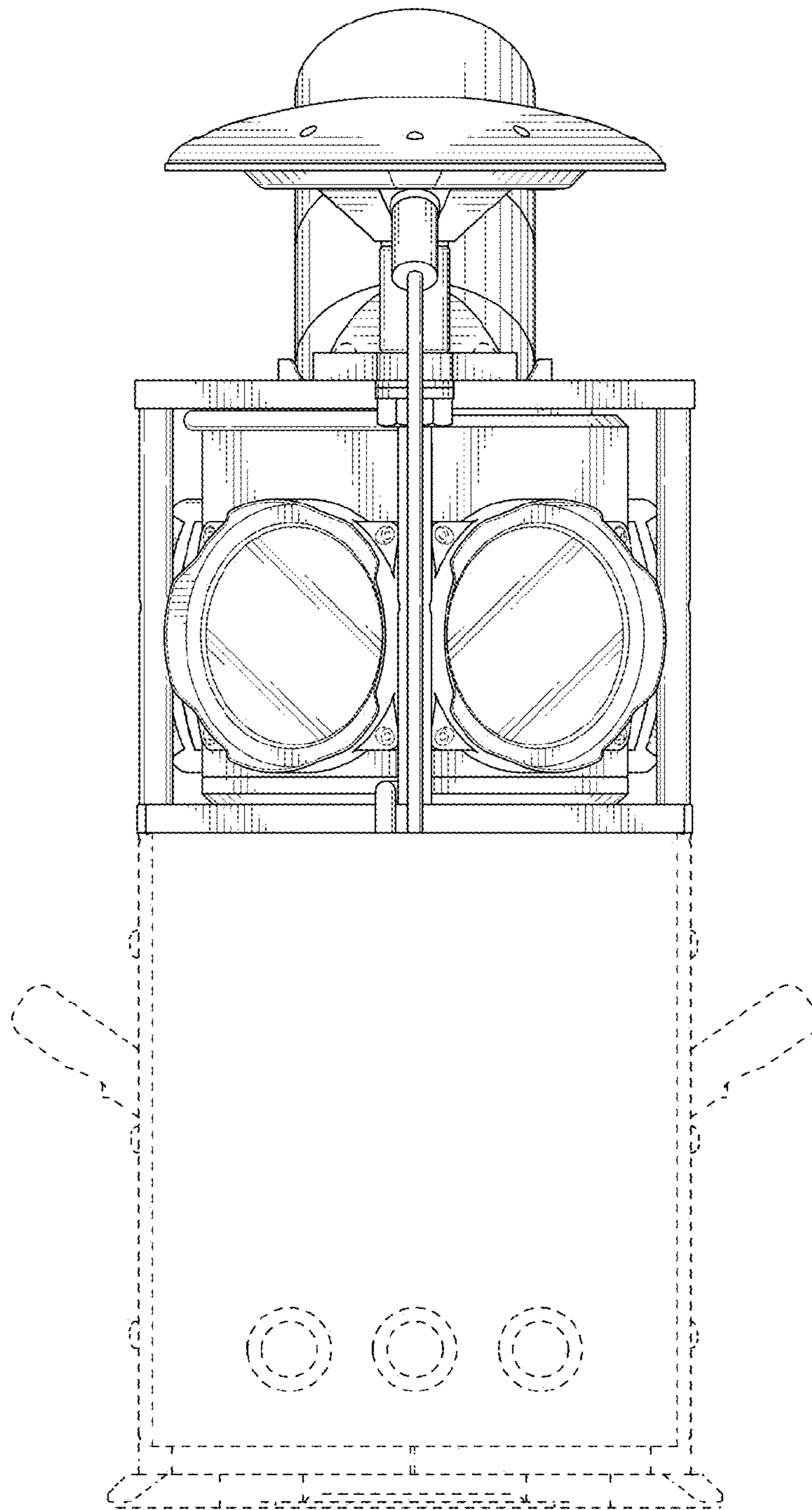


FIG. 1

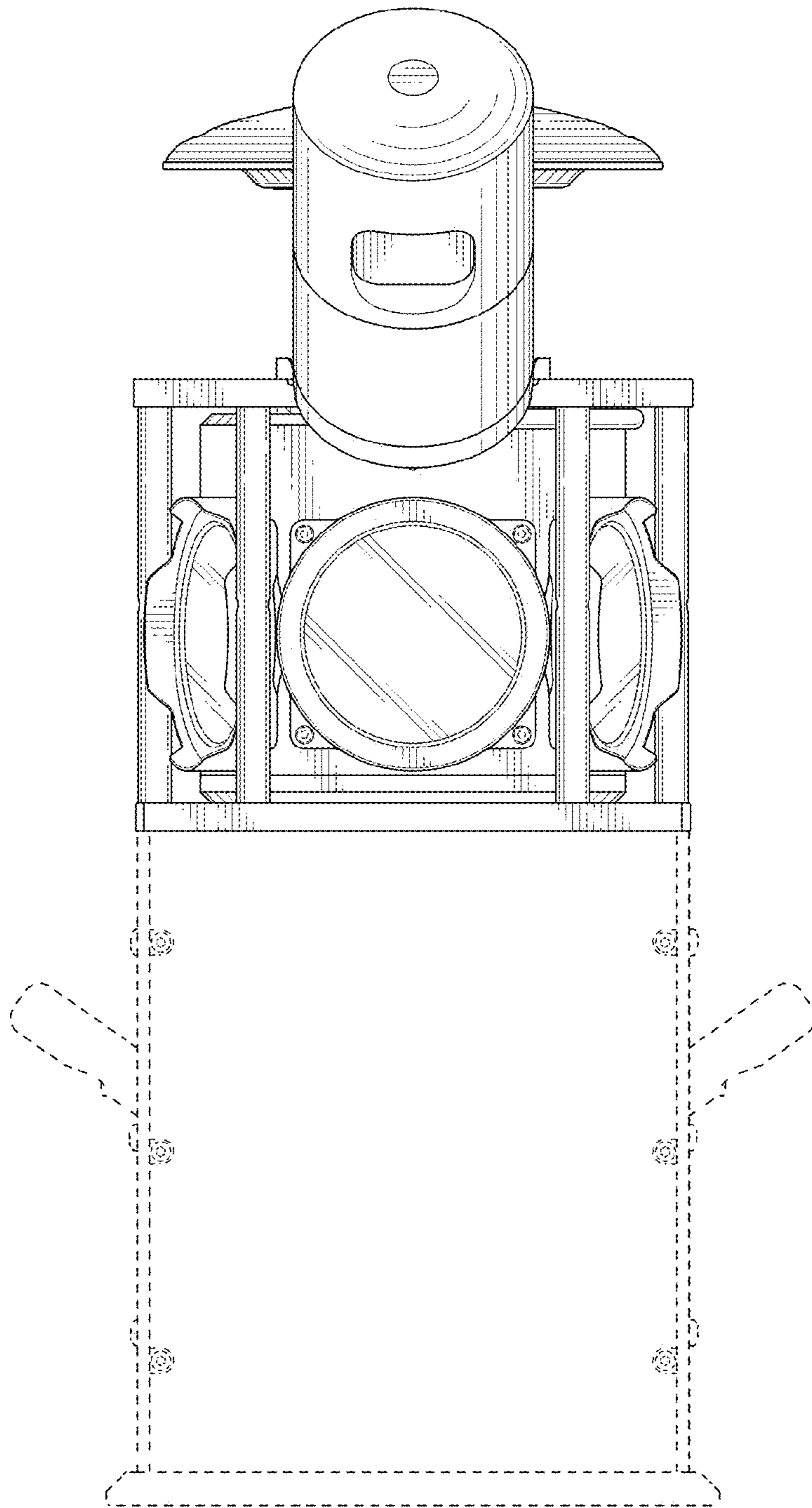


FIG. 2

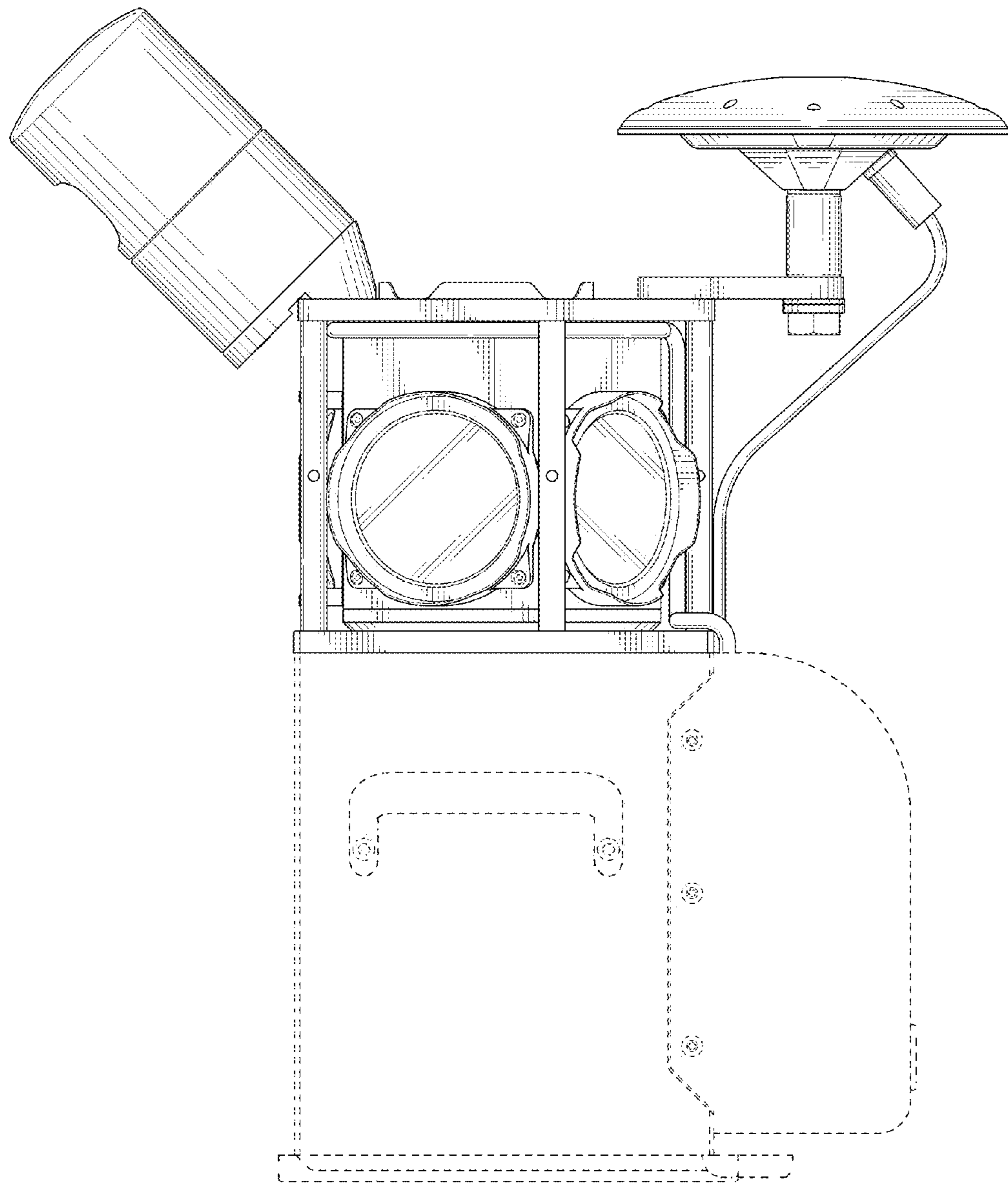


FIG. 3

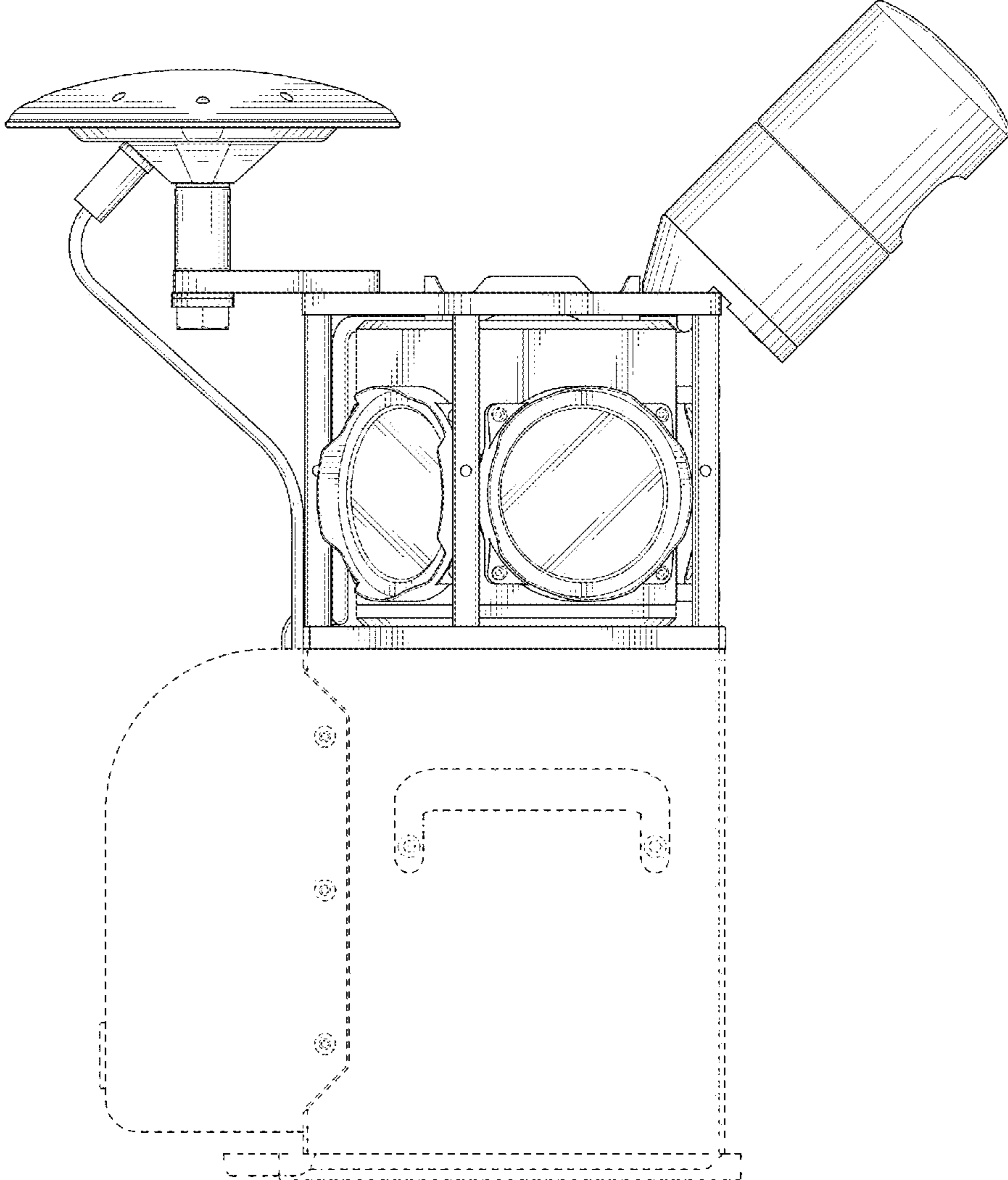


FIG. 4

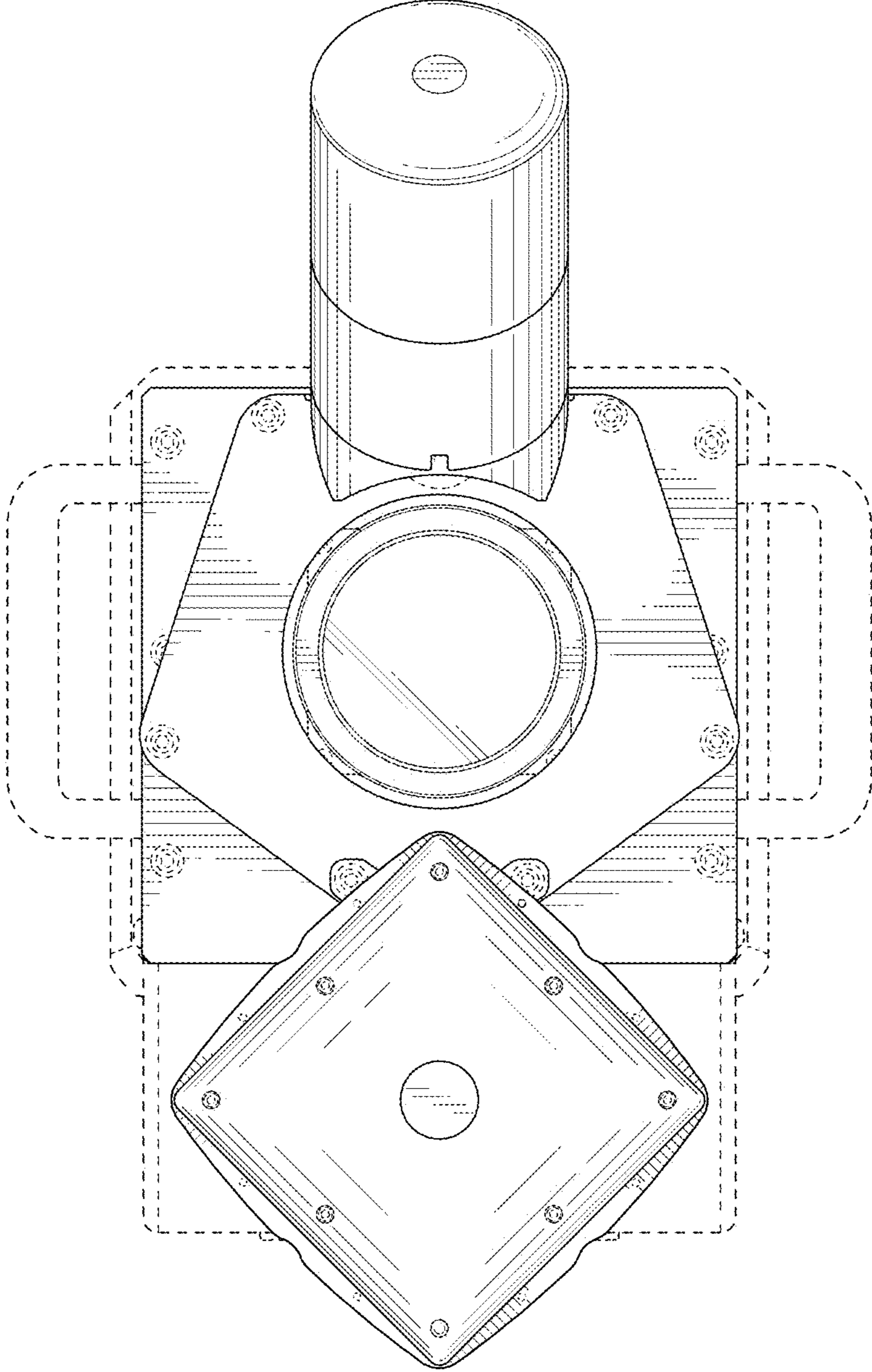


FIG. 5

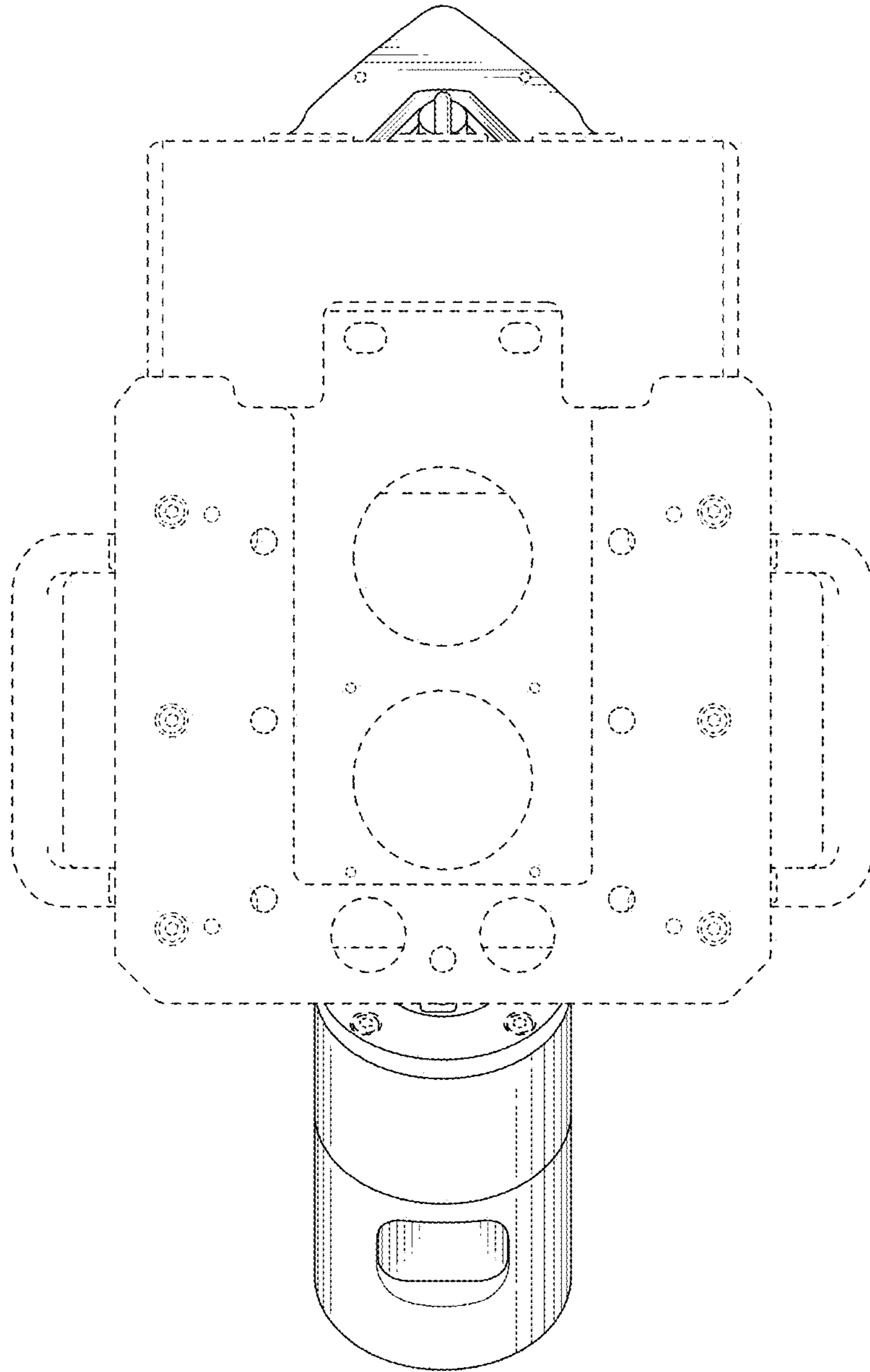


FIG. 6

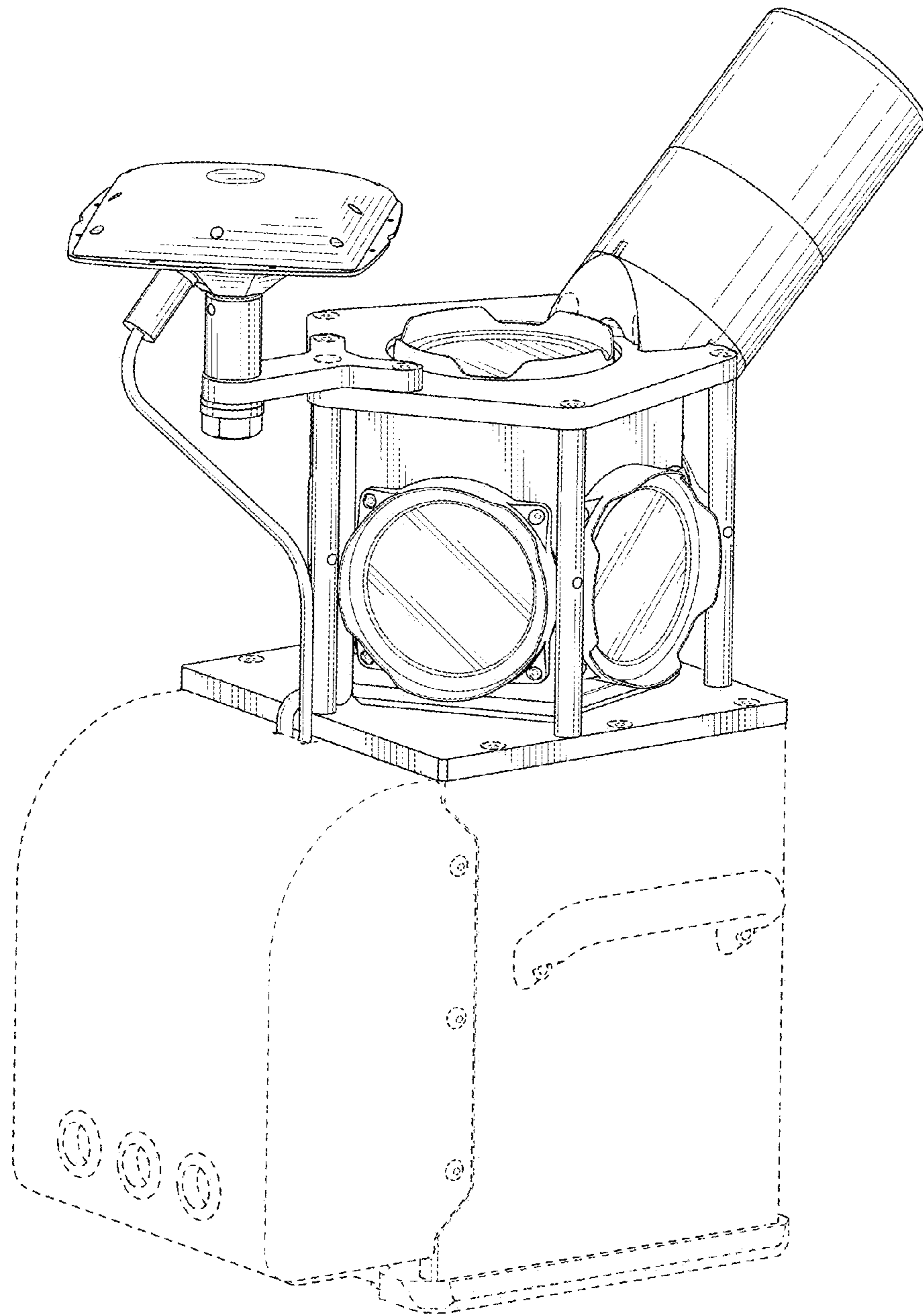


FIG. 7

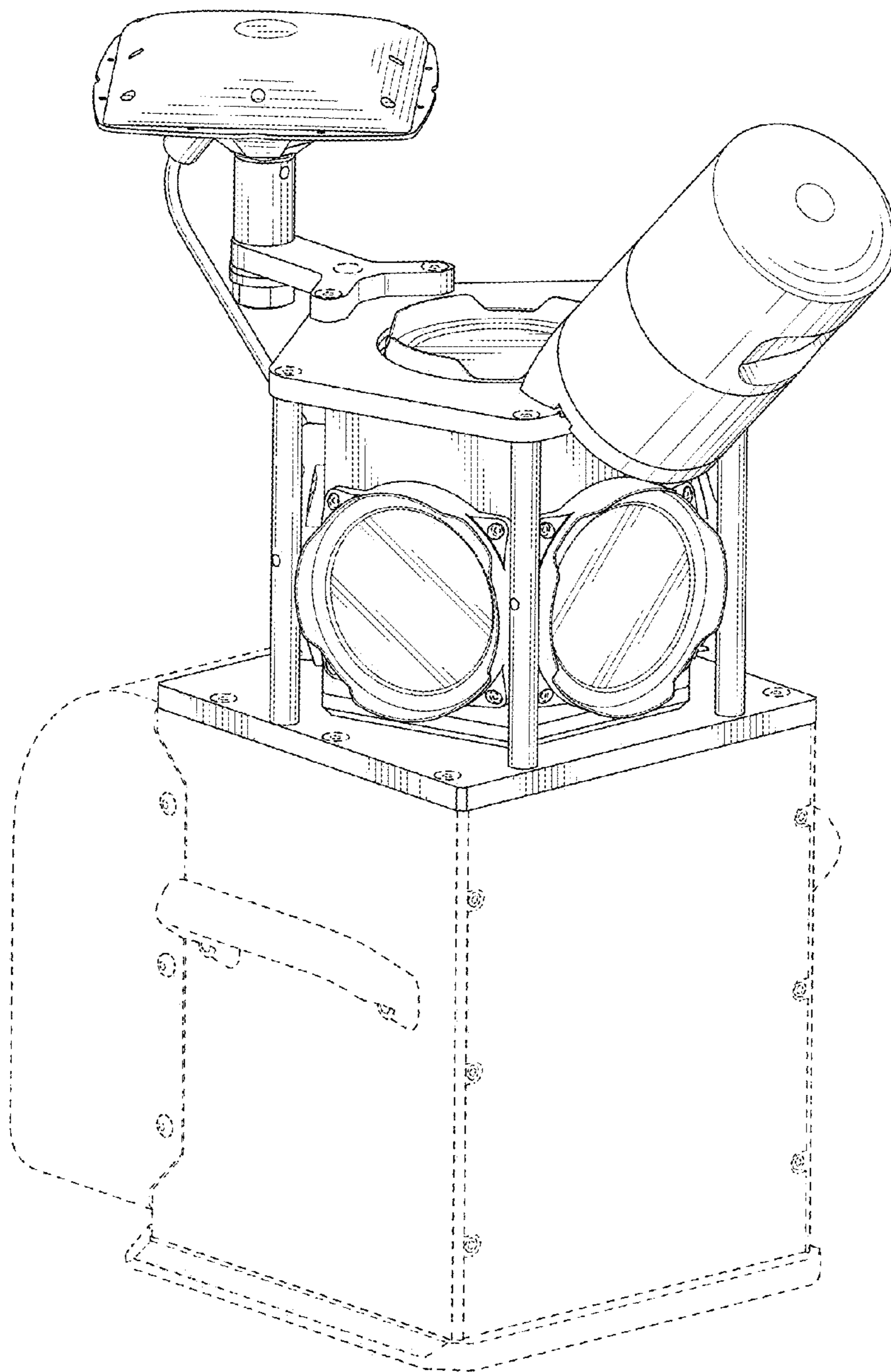


FIG. 8