



US00D766754S

(12) **United States Design Patent**  
**Aoki**

(10) **Patent No.:** **US D766,754 S**

(45) **Date of Patent:** **\*\* Sep. 20, 2016**

(54) **OPTICAL MEASURING THEODOLITE  
USING LIGHT WAVE**

(71) Applicant: **KABUSHIKI KAISHA TOPCON,**  
Tokyo (JP)

(72) Inventor: **Takeo Aoki,** Tokyo (JP)

(73) Assignee: **KABUSHIKI KAISHA TOPCON,**  
Tokyo (JP)

(\*\*) Term: **15 Years**

(21) Appl. No.: **29/529,898**

(22) Filed: **Jun. 11, 2015**

(30) **Foreign Application Priority Data**

Apr. 3, 2015 (JP) ..... 2015-007626

(51) **LOC (10) Cl.** ..... **10-04**

(52) **U.S. Cl.**  
USPC ..... **D10/66**

(58) **Field of Classification Search**  
USPC ..... D10/66  
CPC ..... G01C 1/00–1/14  
See application file for complete search history.

(56) **References Cited**

**U.S. PATENT DOCUMENTS**

- D409,507 S \* 5/1999 Ishii ..... D10/66
- 6,354,010 B1 \* 3/2002 Shirai ..... G02B 7/32  
33/284
- 6,492,806 B2 \* 12/2002 Shirai ..... G01C 1/02  
324/207.12
- D494,074 S \* 8/2004 Ishii ..... D10/66
- D526,223 S \* 8/2006 Ishii ..... D10/66

- D526,588 S \* 8/2006 Johansson ..... D10/66
- D531,921 S \* 11/2006 Banba ..... D10/66
- 7,200,945 B2 \* 4/2007 Endo ..... G01C 15/02  
33/290
- D558,075 S \* 12/2007 Ishii ..... D10/66
- D576,062 S \* 9/2008 Hayamizu ..... D10/66
- D605,959 S \* 12/2009 Apotheloz ..... D10/66
- 7,764,809 B2 \* 7/2010 Ohtomo ..... G01C 15/02  
382/106
- 8,264,672 B1 \* 9/2012 Cole ..... G01C 3/08  
356/4.01
- D684,068 S \* 6/2013 Ishii ..... D10/66
- D684,069 S \* 6/2013 Ishii ..... D10/66
- D723,953 S \* 3/2015 Ishii ..... D10/66

\* cited by examiner

*Primary Examiner* — Antoine D Davis

(74) *Attorney, Agent, or Firm* — Oliff PLC

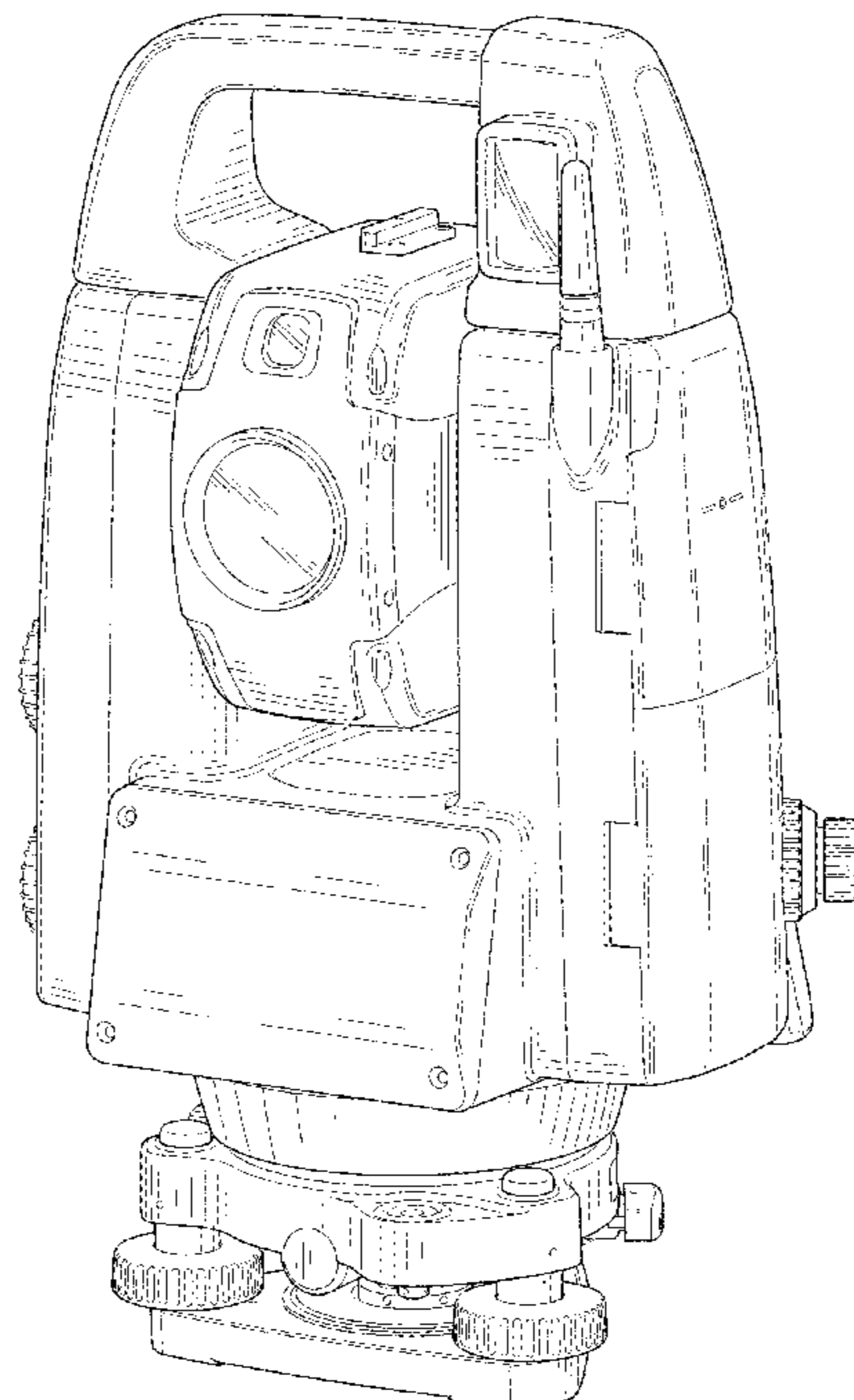
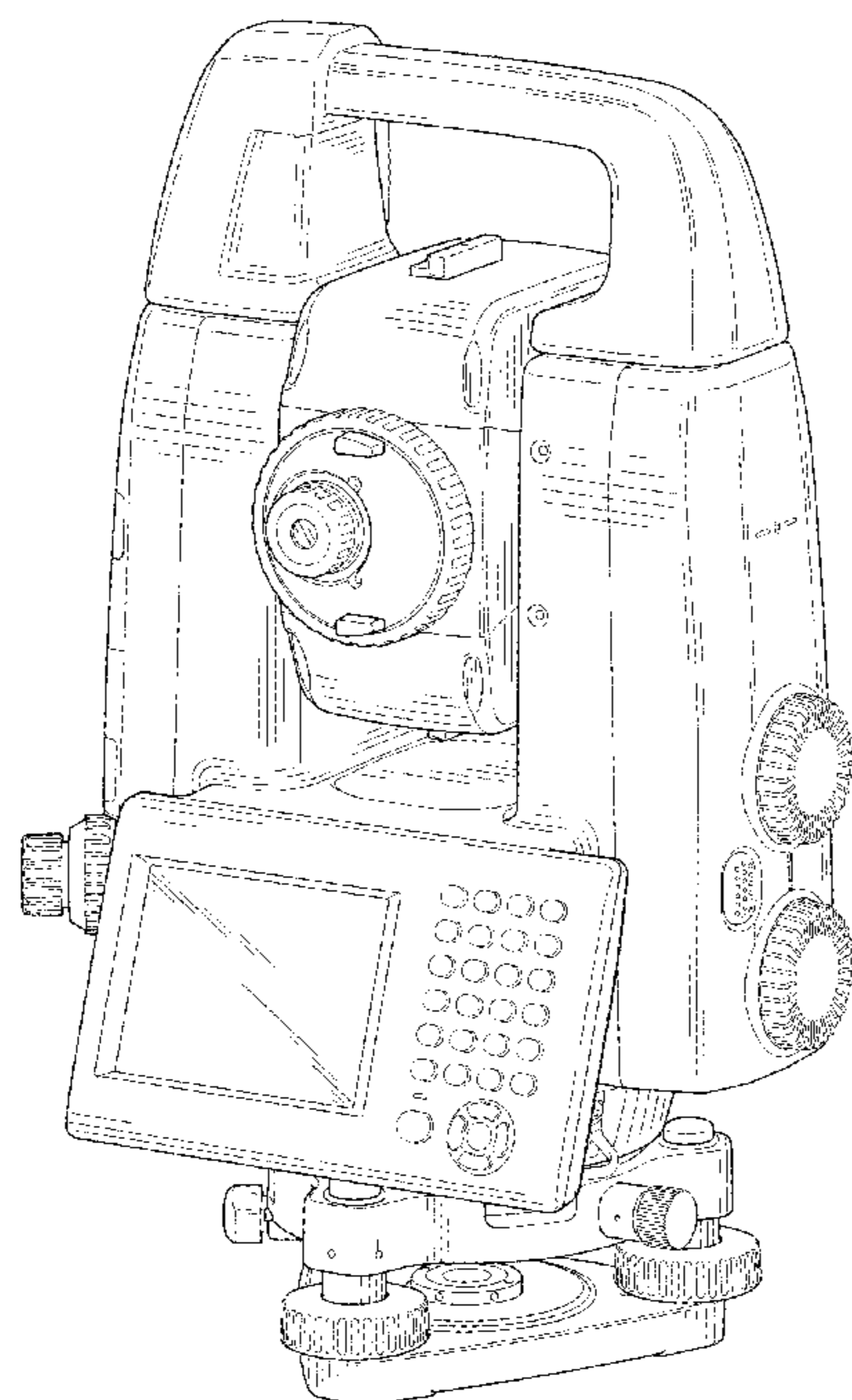
(57) **CLAIM**

The ornamental design for an optical measuring theodolite using light wave, as shown and described.

**DESCRIPTION**

FIG. 1 is a front elevational view of the optical measuring theodolite using light wave;  
 FIG. 2 is a rear elevational view thereof;  
 FIG. 3 is a left-side elevational view thereof;  
 FIG. 4 is a right-side elevational view thereof;  
 FIG. 5 is a top plan view thereof;  
 FIG. 6 is a bottom plan view thereof;  
 FIG. 7 is a front, right-side, top perspective view thereof;  
 and,  
 FIG. 8 is a rear, left-side, top perspective view thereof.  
 The broken lines depict environmental subject matter only and form no part of the claimed design.

**1 Claim, 7 Drawing Sheets**



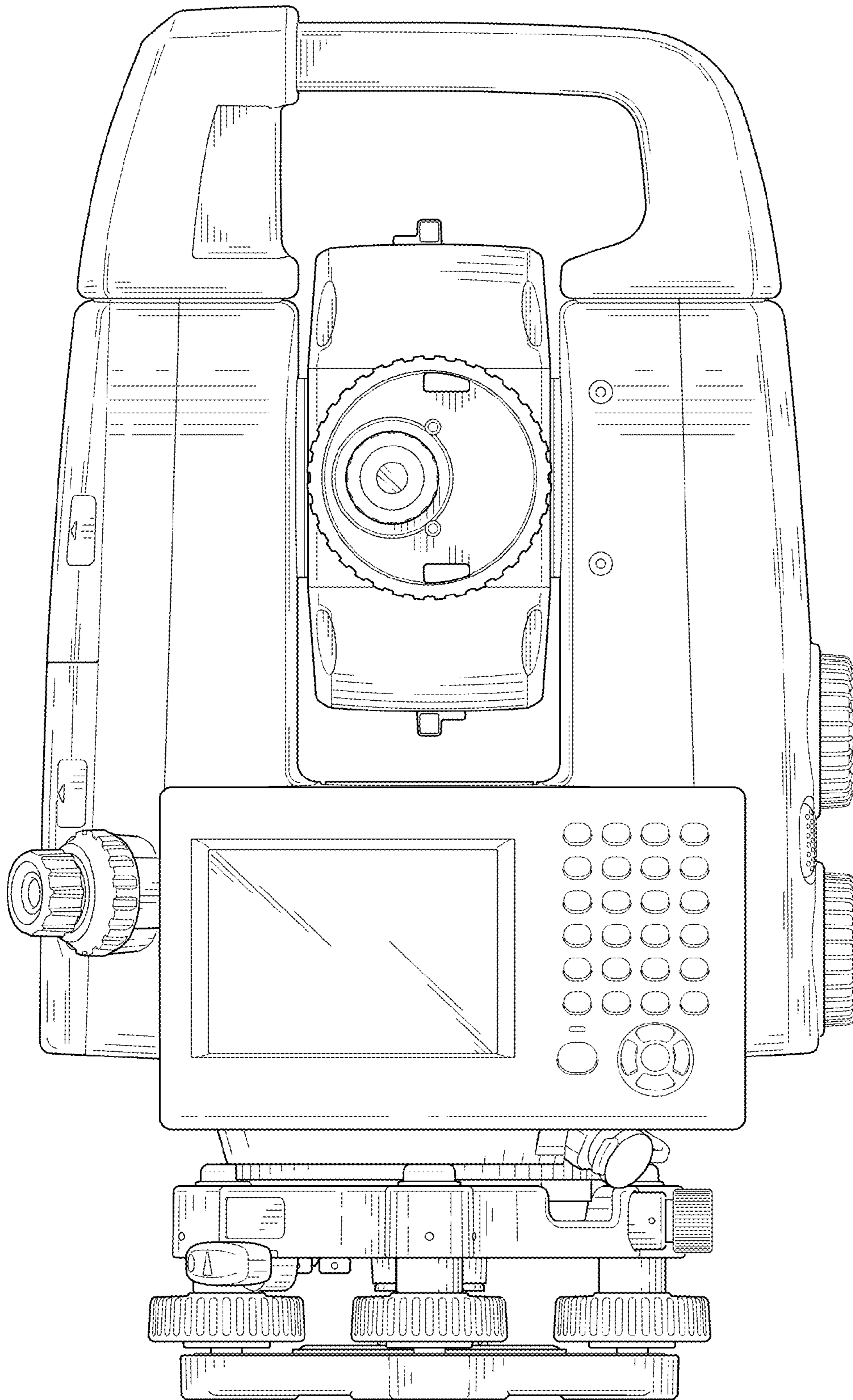


FIG. 1

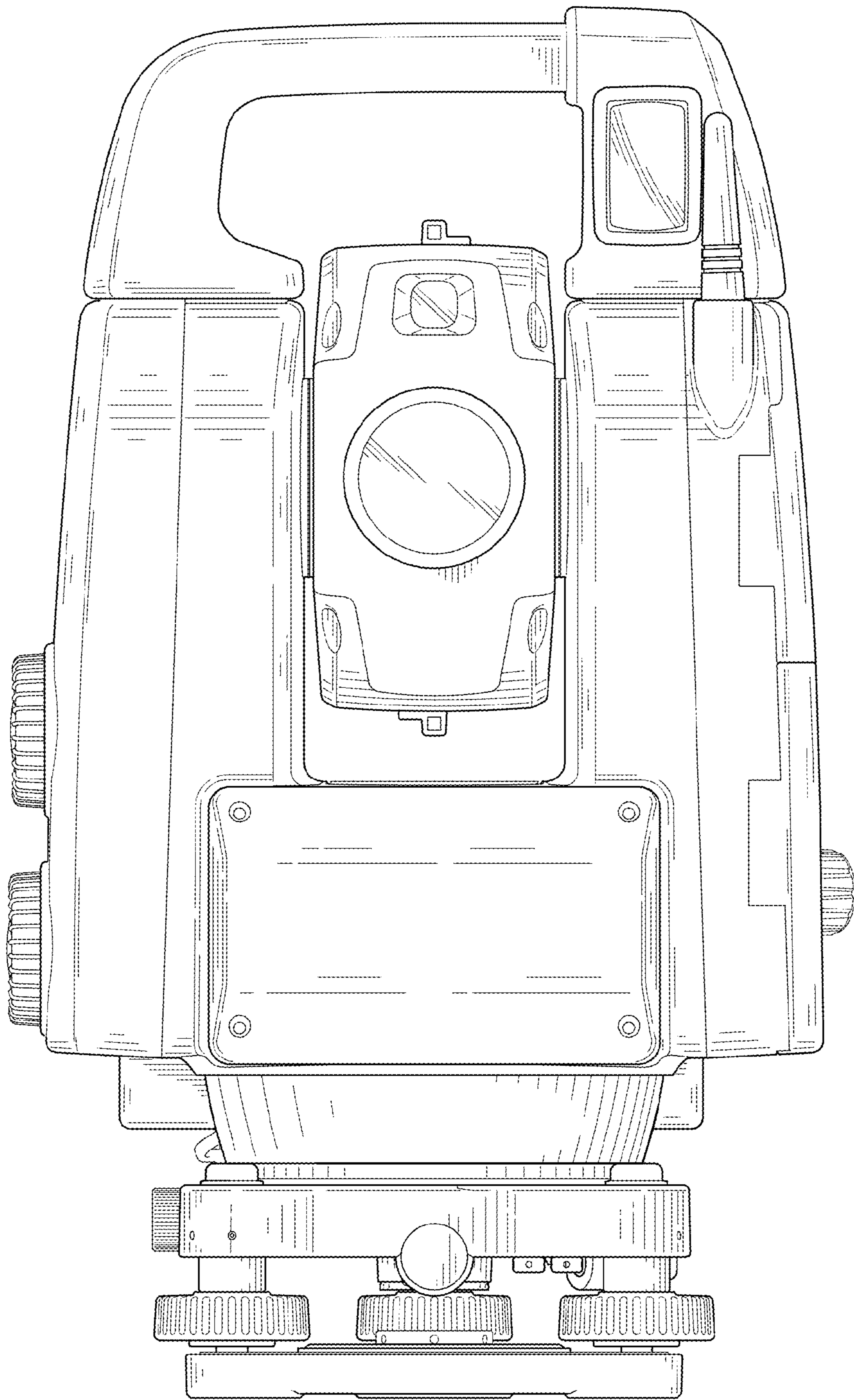


FIG. 2

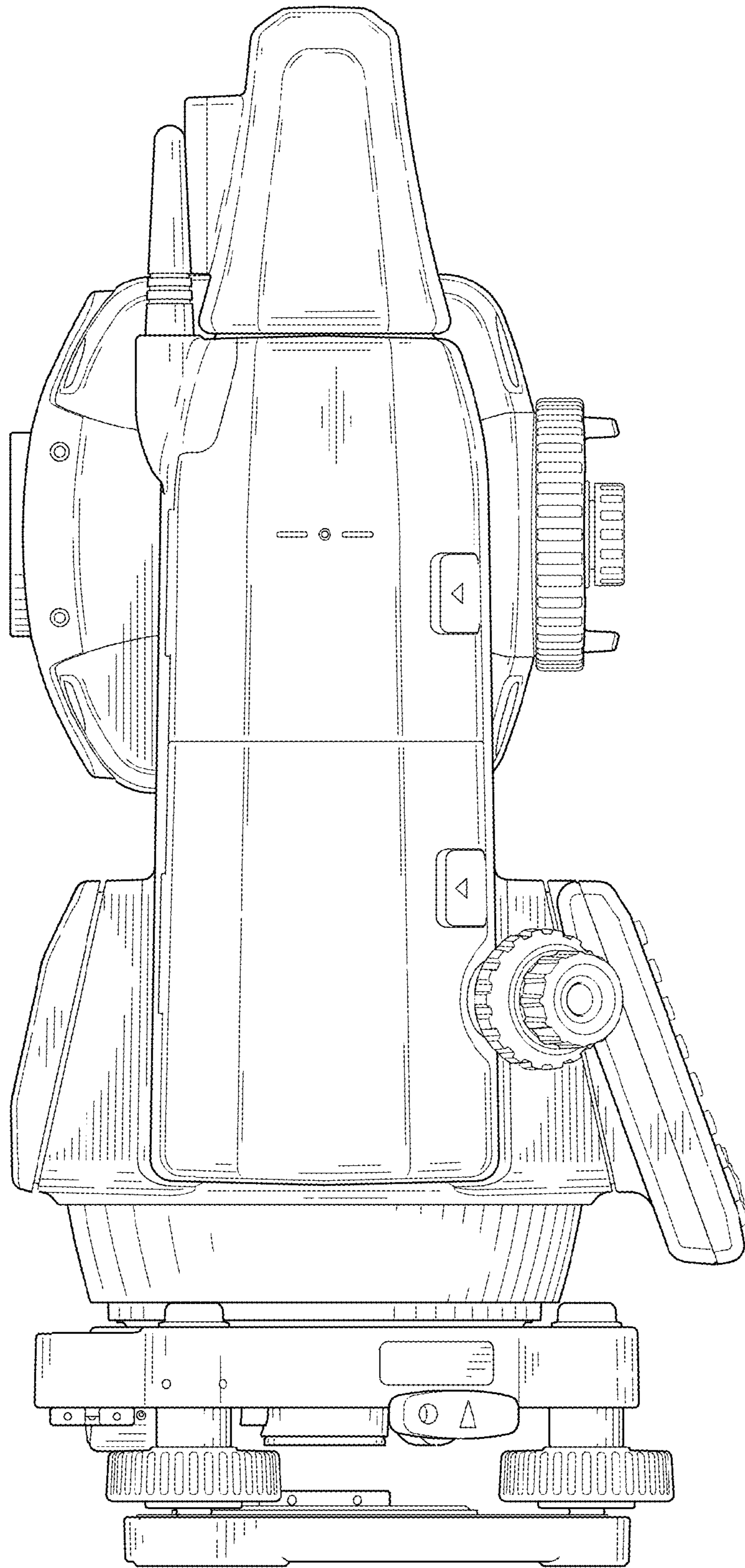


FIG. 3

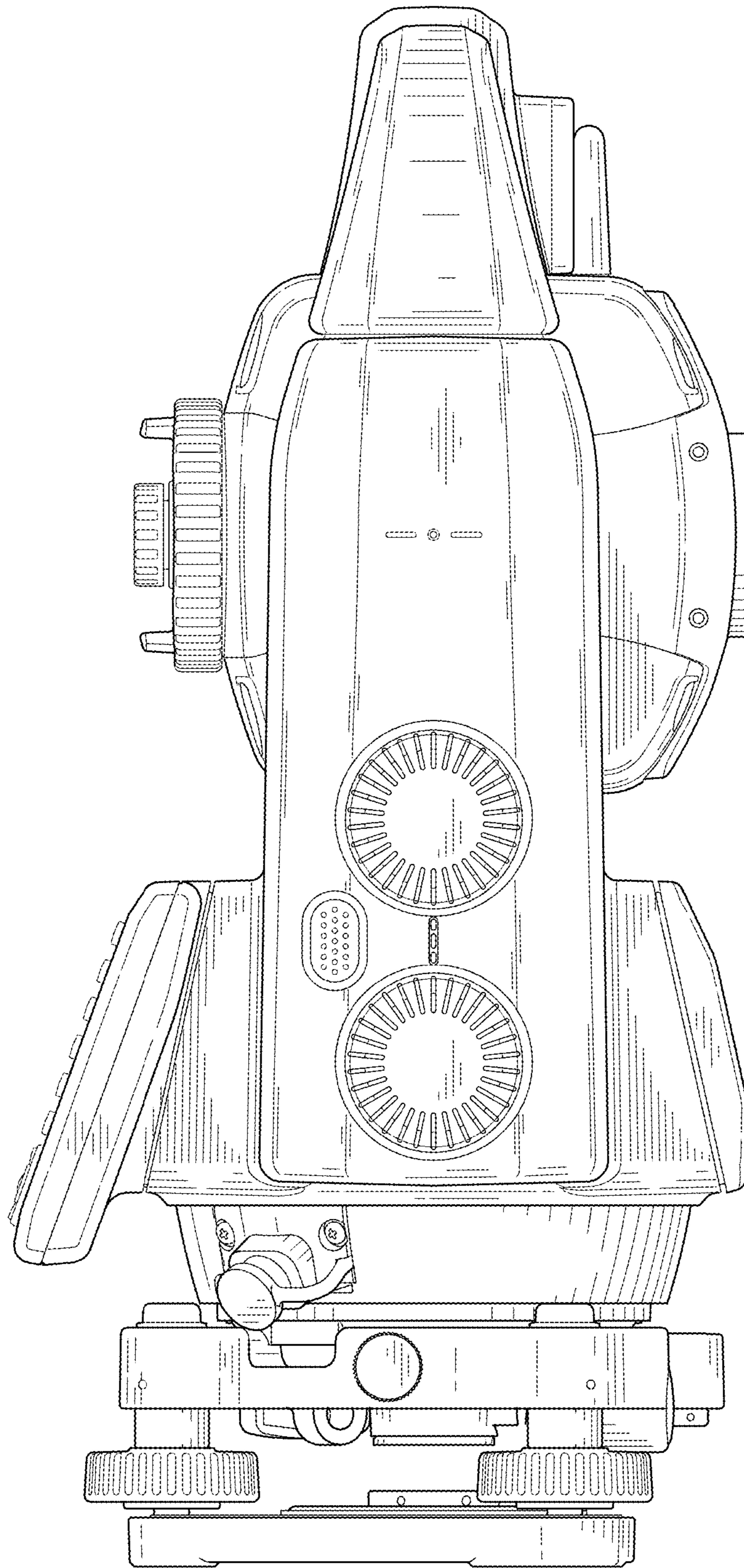


FIG. 4

FIG. 5

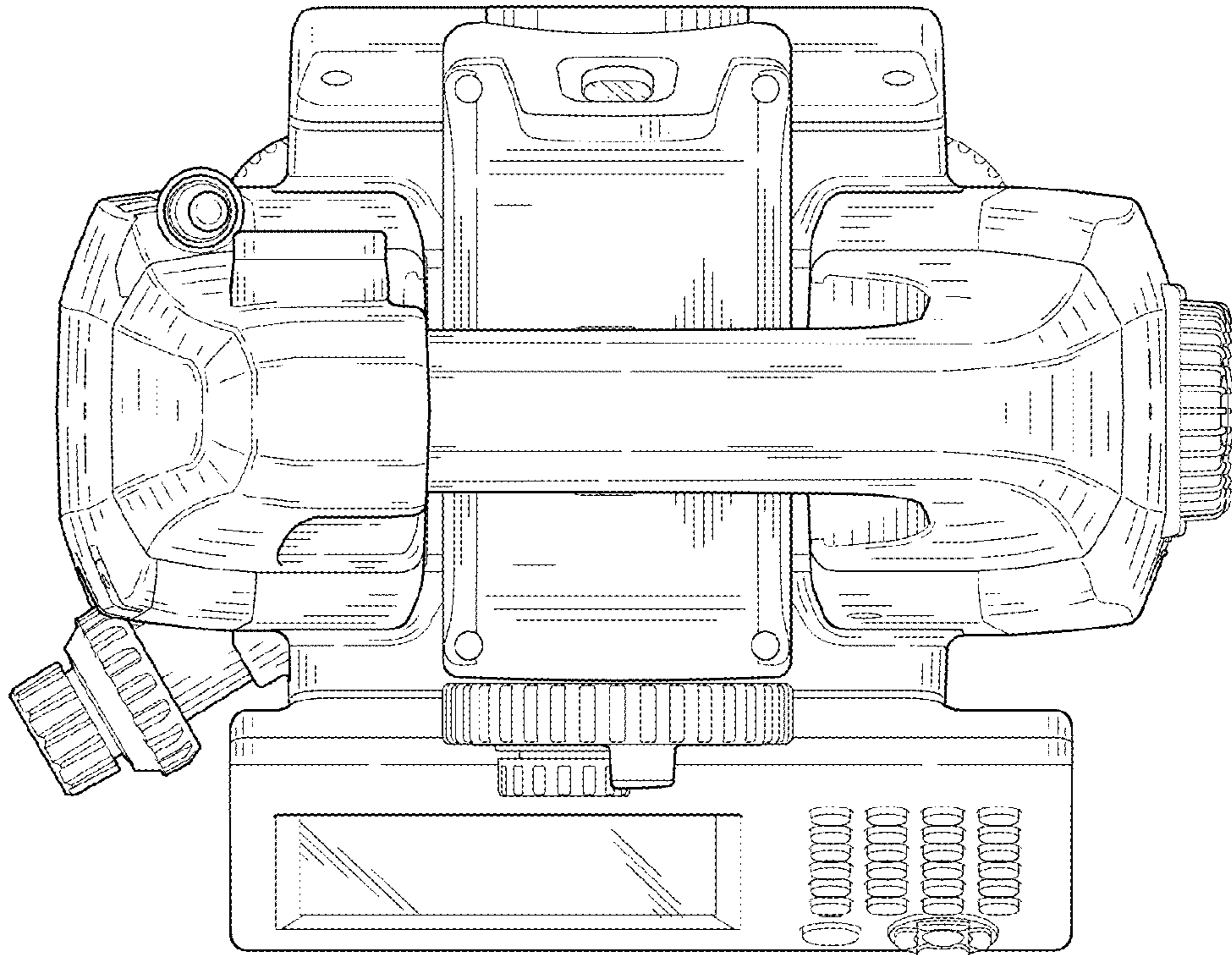
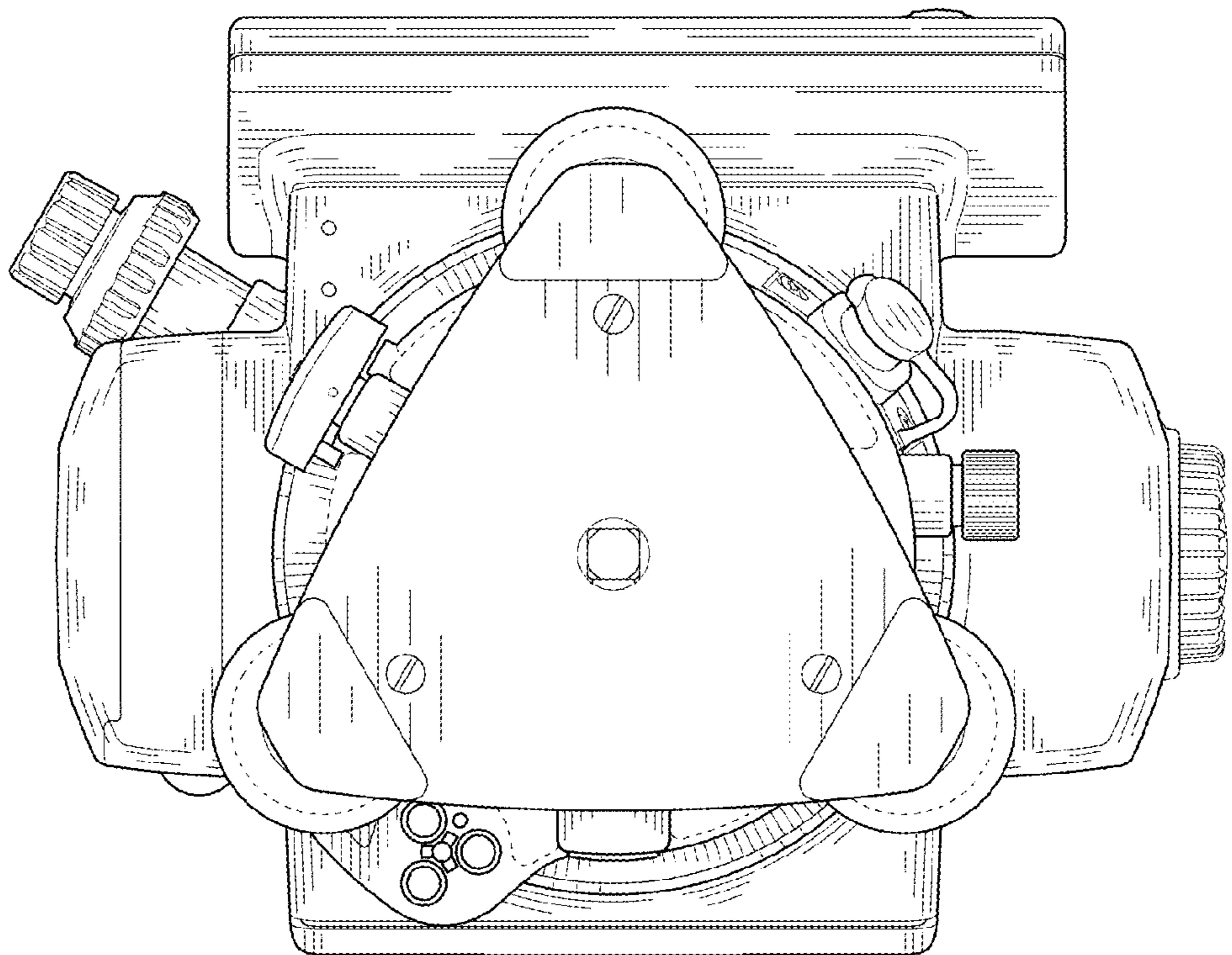


FIG. 6



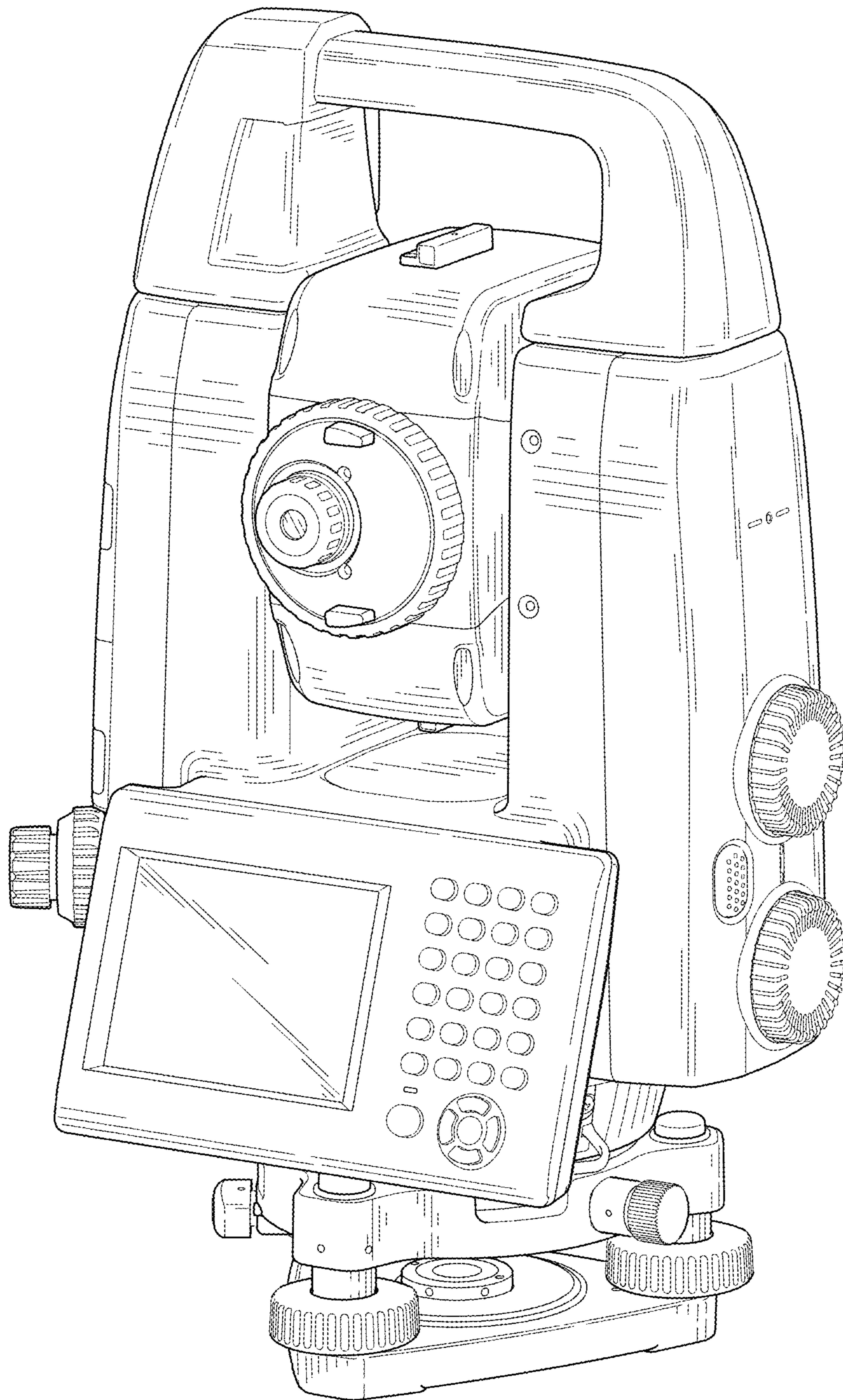


FIG. 7

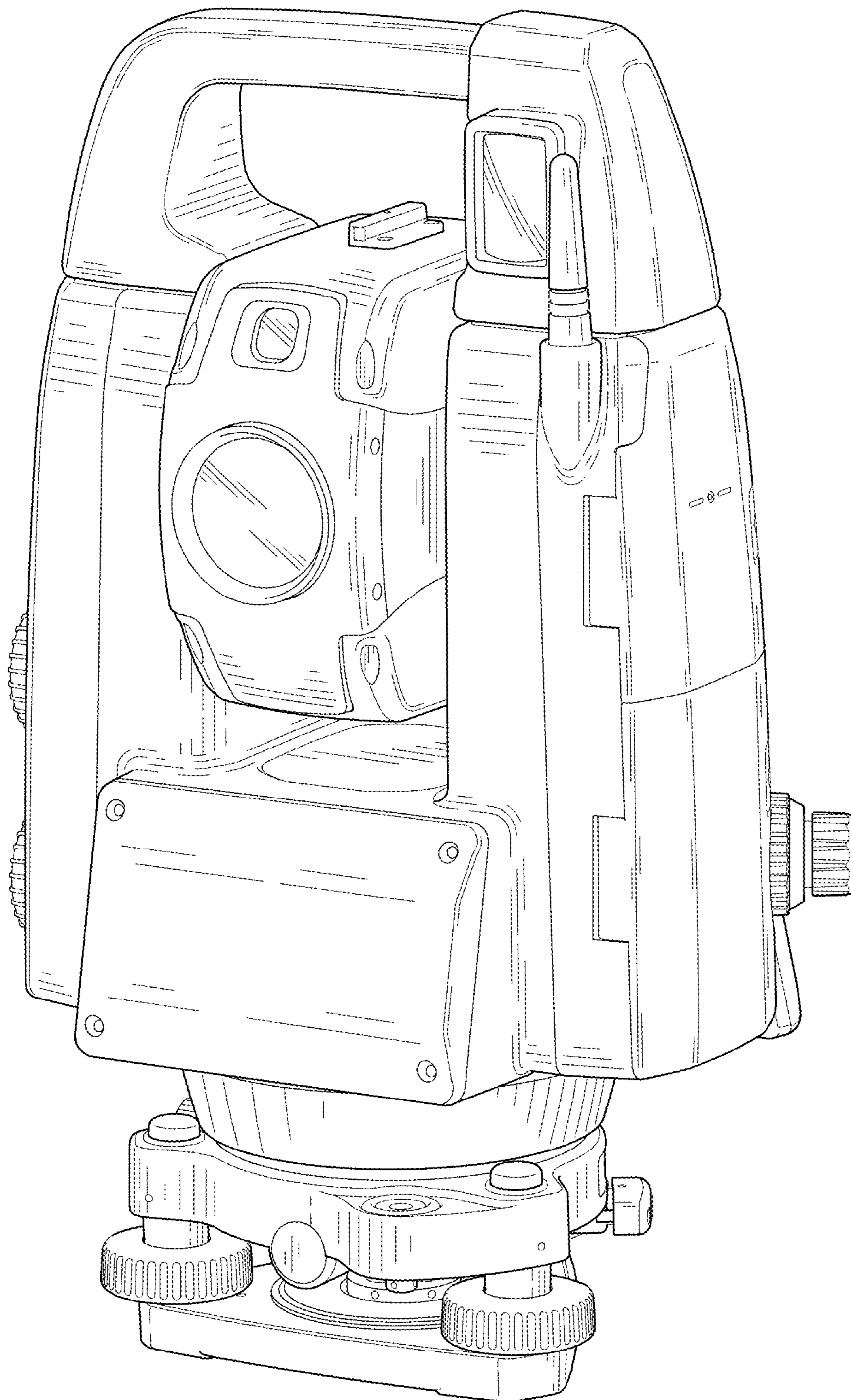


FIG. 8