



US00D766752S

(12) **United States Design Patent** (10) **Patent No.:** **US D766,752 S**
Akana et al. (45) **Date of Patent:** **** *Sep. 20, 2016**

(54) **WEARABLE DEVICE**

(71) Applicant: **Apple Inc.**, Cupertino, CA (US)

(72) Inventors: **Jody Akana**, San Francisco, CA (US); **Bartley K. Andre**, Palo Alto, CA (US); **Shota Aoyagi**, San Francisco, CA (US); **Anthony Michael Ashcroft**, San Francisco, CA (US); **Jeremy Bataillon**, San Francisco, CA (US); **Daniel J. Coster**, San Francisco, CA (US); **Daniele De Iuliis**, San Francisco, CA (US); **M. Evans Hankey**, San Francisco, CA (US); **Julian Hoenig**, San Francisco, CA (US); **Richard P. Howarth**, San Francisco, CA (US); **Jonathan P. Ive**, San Francisco, CA (US); **Duncan Robert Kerr**, San Francisco, CA (US); **Marc A. Newson**, London (GB); **Matthew Dean Rohrbach**, San Francisco, CA (US); **Peter Russell-Clarke**, San Francisco, CA (US); **Benjamin Andrew Shaffer**, San Jose, CA (US); **Mikael Silvano**, San Francisco, CA (US); **Christopher J. Stringer**, Woodside, CA (US); **Eugene Antony Whang**, San Francisco, CA (US); **Rico Zörkendörfer**, San Francisco, CA (US)

(73) Assignee: **Apple Inc.**, Cupertino, CA (US)

(*) Notice: This patent is subject to a terminal disclaimer.

(**) Term: **14 Years**

(21) Appl. No.: **29/501,059**

(22) Filed: **Aug. 29, 2014**

Related U.S. Application Data

(63) Continuation of application No. 29/499,090, filed on Aug. 11, 2014.

(51) **LOC (10) Cl.** **10-04**

(52) **U.S. Cl.**
USPC **D10/65; D10/70; D10/78; D10/98; D10/30**

(58) **Field of Classification Search**

USPC D10/30-39, 65, 70, 78, 97, 98; D11/3; D14/138 R, 203.5, 203.6, 341, 344, D14/347; D24/167, 168
CPC A44C 5/00-5/16; G04B 37/00-37/228; G04B 45/0069; G04B 47/04; G04B 19/00-19/34; G04B 21/12; G04B 23/12; G04B 47/00-47/068; G01C 17/00; G01C 21/00-21/3697

See application file for complete search history.

(56) **References Cited**

U.S. PATENT DOCUMENTS

1,712,564 A 5/1929 Jones
1,712,582 A 5/1929 Renz

(Continued)

FOREIGN PATENT DOCUMENTS

CN 2613171 4/2004
DE 10229050 C1 6/2003

(Continued)

OTHER PUBLICATIONS

Design U.S. Appl. No. 29/498,987, filed Aug. 11, 2014.

(Continued)

Primary Examiner — Antoine D Davis

(74) *Attorney, Agent, or Firm* — Sterne, Kessler, Goldstein & Fox P.L.L.C.

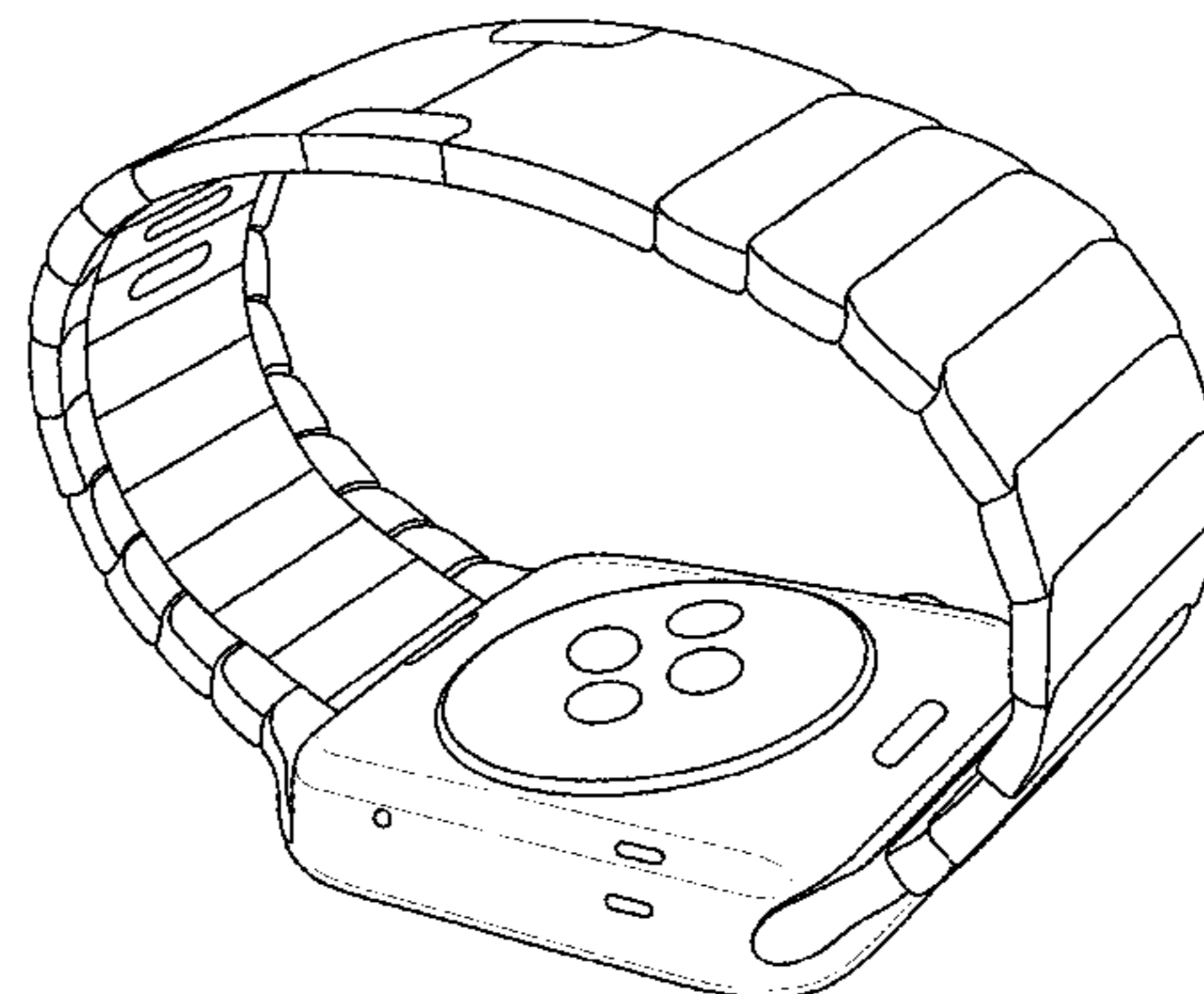
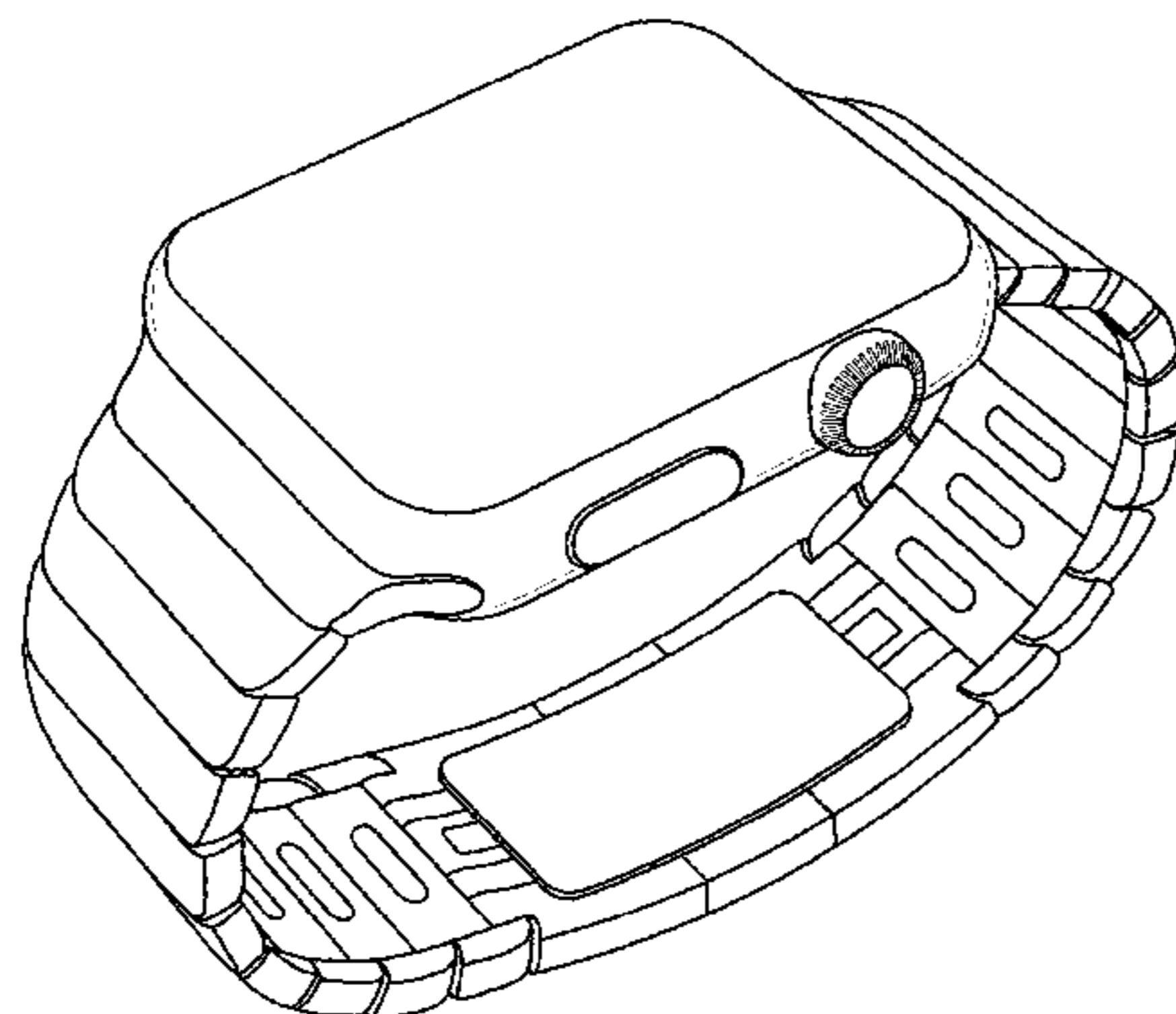
(57) **CLAIM**

The ornamental design for a wearable device, as shown and described.

DESCRIPTION

FIG. 1 is a bottom front perspective view of a wearable device showing our new design; FIG. 2 is a top rear perspective view thereof; FIG. 3 is a bottom view thereof; FIG. 4 is a top view thereof; FIG. 5 is a front view thereof; FIG. 6 is a rear view thereof; FIG. 7 is a right side view thereof; and, FIG. 8 is a left side view thereof.

1 Claim, 4 Drawing Sheets



(56)

References Cited

U.S. PATENT DOCUMENTS

1,738,407 A 12/1929 Tost
 1,740,894 A 12/1929 Johnson
 1,760,662 A 5/1930 Prestinari
 1,764,440 A 6/1930 Gammell et al.
 1,784,582 A 12/1930 Doppenschmitt
 1,786,943 A 12/1930 Gammell
 D152,491 S 1/1949 Osier
 3,030,686 A 4/1962 Burkhardt
 3,372,500 A 3/1968 Claude
 3,640,065 A 2/1972 Lederrey et al.
 3,665,565 A 5/1972 Kruger
 3,675,284 A 7/1972 Rieth
 3,914,933 A 10/1975 Carlone
 3,994,126 A 11/1976 Rieth
 D249,244 S 9/1978 Salter
 4,125,920 A 11/1978 Grimes
 D250,634 S 12/1978 Porsche
 D251,829 S 5/1979 Sulek
 D256,568 S 8/1980 Young
 4,266,400 A 5/1981 Tabata
 D269,254 S 6/1983 Kishimoto
 D287,471 S 12/1986 Sato et al.
 D287,705 S 1/1987 Malamoud
 4,681,461 A 7/1987 Gogniat
 D299,718 S 2/1989 Steer et al.
 D305,422 S 1/1990 Steer et al.
 D331,020 S 11/1992 Ishii et al.
 D333,626 S 3/1993 Chang
 D337,157 S * 7/1993 Ortiz D24/110
 D337,158 S * 7/1993 Summers D24/136
 5,239,521 A 8/1993 Blonder
 D339,309 S 9/1993 Butler
 D349,864 S 8/1994 Dunlap et al.
 5,363,351 A 11/1994 Carney
 D355,375 S 2/1995 Bandy, II
 5,386,933 A 2/1995 Greene et al.
 5,441,686 A 8/1995 Jackl
 D408,301 S 4/1999 Porsche et al.
 D424,952 S 5/2000 Porsche et al.
 6,101,842 A 8/2000 Delacretaz
 D439,172 S 3/2001 Brzezinski
 6,198,698 B1 3/2001 Graves
 D455,093 S 4/2002 Fitzgerald
 D473,818 S 4/2003 Salvisberg
 6,655,831 B1 12/2003 Ruffieux
 D488,392 S 4/2004 Tschumi
 D494,098 S 8/2004 Cohen
 6,782,690 B2 8/2004 Kwan
 D496,589 S 9/2004 Perrenoud
 6,970,157 B2 11/2005 Siddeeq
 D513,195 S 12/2005 Gruosi
 7,004,469 B2 2/2006 Von Goeben
 7,013,631 B2 3/2006 Carrola
 D528,439 S 9/2006 Burton
 D528,928 S 9/2006 Burton
 7,106,197 B2 9/2006 Gaiotto et al.
 D536,265 S 2/2007 Reynoso
 D538,687 S 3/2007 Komulainen
 D549,602 S 8/2007 Oberrieder et al.
 D550,105 S 9/2007 Oberrieder et al.
 D558,227 S 12/2007 Cho et al.
 D560,520 S 1/2008 Oberrieder et al.
 D569,282 S 5/2008 Daniel
 D572,266 S 7/2008 Anderson et al.
 D573,905 S 7/2008 Poirier
 D574,735 S 8/2008 Landman et al.
 D578,922 S 10/2008 Hoshino
 D581,811 S 12/2008 Messmer et al.
 D584,170 S 1/2009 Morrison
 D586,823 S 2/2009 Anderson et al.
 D588,472 S 3/2009 Messmer et al.
 D589,375 S 3/2009 Tang
 D596,610 S 7/2009 Hou
 7,591,581 B2 9/2009 Lovegrove et al.
 D610,476 S 2/2010 Daniel

D616,417 S 5/2010 Liao
 7,708,457 B2 5/2010 Girardin et al.
 D631,761 S 2/2011 Barbier
 D637,094 S 5/2011 Cobbett et al.
 D637,918 S 5/2011 Cobbett et al.
 D642,074 S 7/2011 Chastaingt
 D645,360 S 9/2011 Kiser et al.
 D650,706 S 12/2011 Zanella et al.
 D666,503 S 9/2012 Bulgari
 D670,583 S 11/2012 Shaanan
 D671,015 S 11/2012 Monachon
 D672,667 S 12/2012 Mix
 D674,710 S 1/2013 Monachon
 D681,483 S 5/2013 Biegert et al.
 8,601,784 B2 12/2013 Kaltenrieder
 D699,701 S 2/2014 Kim
 D704,077 S 5/2014 Monachon
 D714,288 S 9/2014 Aumiller et al.
 D717,678 S 11/2014 Anderssen et al.
 D717,679 S 11/2014 Anderssen et al.
 D719,123 S 12/2014 Park et al.
 D720,630 S 1/2015 Nashimoto
 D724,556 S 3/2015 Choi et al.
 D729,670 S 5/2015 Nuovo et al.
 D737,156 S * 8/2015 Akana D10/32
 D737,159 S * 8/2015 Akana D10/32
 D741,726 S * 10/2015 Akana D10/30
 D744,356 S * 12/2015 Akana D10/70
 D745,421 S * 12/2015 Akana D10/32
 D746,707 S * 1/2016 Akana D10/39
 2005/0207284 A1 9/2005 Hiranuma
 2005/0210857 A1 9/2005 Carrola
 2010/0061191 A1 3/2010 Chen
 2012/0168471 A1 7/2012 Wilson
 2014/0096345 A1 4/2014 Tschumi
 2014/0098649 A1 4/2014 Tschumi

FOREIGN PATENT DOCUMENTS

EM 001359301-0002 6/2013
 EP 1098231 A1 5/2001
 EP 1136010 B1 11/2003
 EP 2636328 A1 9/2013
 GB 618917 A 3/1949
 GB 2047514 A 12/1980
 GB 2033807 3/1994
 GB 2082277 6/1999
 GB 2086601 11/1999
 GB 2095450 12/2000
 HK 0501949.8 12/2005
 HK 1001605.7 12/2010
 JP D1038962 5/1999
 JP D1038963 5/1999
 JP D1088241 10/2000
 JP D1092722 12/2000
 JP D1095359 1/2001
 JP D1115866 7/2001
 JP D1126997 11/2001
 JP D1130391 1/2002
 JP D1194393 1/2004
 JP D1231469 2/2005
 JP D1350052 2/2009
 JP D1350493 2/2009
 JP 5479052 B2 4/2014
 KR 30-0298089 5/2002
 KR 30-0476859 1/2008
 KR 30-0476860 1/2008
 WO 9117679 A1 11/1991
 WO 033704-002 9/1995
 WO 041969-001 1/1998
 WO 047086-002 5/1999
 WO 061681-002 10/2002
 WO 063315-002 5/2003
 WO DM/066491-004 3/2005
 WO 068937-006 6/2007
 WO 070624-004 10/2008
 WO DM071101 12/2008
 WO DM/072215 9/2009
 WO 074430-001 11/2010

(56)

References Cited

FOREIGN PATENT DOCUMENTS

WO	DM/077452-004	6/2011
WO	2013182397	12/2013
WO	2014135709 A2	9/2014

OTHER PUBLICATIONS

Design U.S. Appl. No. 29/498,990, filed Aug. 11, 2014.
 Design U.S. Appl. No. 29/498,994, filed Aug. 11, 2014.
 Design U.S. Appl. No. 29/498,995, filed Aug. 11, 2014.
 Design U.S. Appl. No. 29/498,996, filed Aug. 11, 2014.
 Design U.S. Appl. No. 29/498,997, filed Aug. 11, 2014.
 Design U.S. Appl. No. 29/499,052, filed Aug. 11, 2014.
 Design U.S. Appl. No. 29/499,061, filed Aug. 11, 2014.
 Design U.S. Appl. No. 29/499,067, filed Aug. 11, 2014.
 Design U.S. Appl. No. 29/499,068, filed Aug. 11, 2014.
 Design U.S. Appl. No. 29/499,069, filed Aug. 11, 2014.
 Design U.S. Appl. No. 29/499,080, filed Aug. 11, 2014.
 Design U.S. Appl. No. 29/499,081, filed Aug. 11, 2014.
 Design U.S. Appl. No. 29/499,082, filed Aug. 11, 2014.
 Design U.S. Appl. No. 29/499,088, filed Aug. 11, 2014.
 Design U.S. Appl. No. 29/499,091, filed Aug. 11, 2014.
 Design U.S. Appl. No. 29/501,152, filed Sep. 2, 2014.
 Design U.S. Appl. No. 29/501,624, filed Sep. 5, 2014.
 Design U.S. Appl. No. 29/501,720, filed Sep. 8, 2014.
 Design U.S. Appl. No. 29/501,722, filed Sep. 8, 2014.
 Design U.S. Appl. No. 29/501,723, filed Sep. 8, 2014.
 Design U.S. Appl. No. 29/501,733, filed Sep. 8, 2014.
 Design U.S. Appl. No. 29/501,737, filed Sep. 8, 2014.
 Design U.S. Appl. No. 29/501,746, filed Sep. 8, 2014.
 Design U.S. Appl. No. 29/501,759, filed Sep. 8, 2014.
 Design U.S. Appl. No. 29/501,760, filed Sep. 8, 2014.
 Design U.S. Appl. No. 29/501,763, filed Sep. 8, 2014.
 Design U.S. Appl. No. 29/501,766, filed Sep. 8, 2014.
 Design U.S. Appl. No. 29/501,772, filed Sep. 8, 2014.
 Design U.S. Appl. No. 29/501,775, filed Sep. 8, 2014.
 Design U.S. Appl. No. 29/499,090, filed Aug. 11, 2014.
 Alvarez, Edgar, "Basis Peak to get its smartwatch-like features in December," engadget.com, <<http://www.engadget.com/2014/11/20/basis-peak-new-features/>>, dated Nov. 20, 2014, accessed Dec. 15, 2014.
 Cool Material, "Braun Square Digital Watch," <<http://web.archive.org/web/20111125033014/http://coolmaterial.com/style/braun-square-digital-watch/>>, dated Nov. 25, 2011, accessed Dec. 18, 2014.
 Fitbit, "Fitbit Surge™ Fitness Super Watch" <<https://www.fitbit.com/surge>>, accessed Dec. 15, 2014.
 Hodinkee.com, "Apple iPod Nano Now Available With Mickey Mouse Dial, Also Cheesy, Mechanically Inaccurate Open-Worked Dial," <<http://web.archive.org/web/20111006043916/http://www.hodinkee.com/blog/2011/10/5/apple-ipod-nano-now-available-with-mickey-mouse-dial-also-ch.html>>, dated Oct. 6, 2011, accessed Dec. 18, 2014.
 Homego, "M6 Silver Smart Watch Cell Phone 1.54 inch Bluetooth 3.0 Dialer Outdoor Sports Pedometer," amazon.com, <<http://www.amazon.com/Silver-Bluetooth-Dialer-Outdoor-Pedometer/dp/B00MQTBGK6>>, accessed Dec. 15, 2014.
 Ikepod, "Original Ikepod Watch With GMT—Marc Newson Design," Watchbox.be, <<http://www.watchbox.be/prod/Other-Watches/Marc%20Newson%20Design/item7165.htm#VJLm2fAo5D8>>, accessed Dec. 17, 2014.
 LG Life's Good, "LG G Watch (W100)," <<http://www.lg.com/us/smart-watches/lg-W100-g-watch>>, accessed Dec. 18, 2014.
 Metawatch, "Frame—Black (MW3005)," <<http://meta.watch/collections/smartwatch-all/products/frame-ss-black-leather>>, accessed Dec. 15, 2014.
 Pebble, "Pebble Smartwatch," getpebble.com, <<https://getpebble.com/checkout>>, accessed Dec. 15, 2014.

Samsung, "Galaxy Gear™ Live, Black SM-R3820ZKAXAR," <<http://www.samsung.com/us/mobile/wearable-tech/SM-R3820ZKAXAR>>, accessed Dec. 15, 2014.
 Samsung, "Samsung Gear S™, (Sprint), Black SM-R750PZKASPR," <<http://www.samsung.com/us/mobile/wearable-tech/SM-R750PZKASPR>>, accessed Dec. 15, 2014.
 Samsung, "Samsung Gear™ 2 Charcoal Black SM-R3800VSAXAR," <<http://www.samsung.com/us/mobile/wearable-tech/SM-R3800VSAXAR>>, accessed Dec. 15, 2014.
 Sony, "SmartWatch 3 SWR50," <<http://www.sonymobile.com/us/products/smartwear/smartwatch-3-swr50/>>, accessed Dec. 15, 2014.
 Sony, "SmartWatch," <<http://www.sonymobile.com/us/products/accessories/smartwatch/>>, accessed Dec. 15, 2014.
 Stables, James, "Clevercare smartwatch aims to help Alzheimer's suffers and carers: Revamped Sony SmartWatch 2 designed for users that need care," Wearable News, <<http://www.wearable.com/wearable-tech/clevercare-smartwatch-aims-to-help-alzheimers-suffers-and-carers-585>>, dated Dec. 15, 2014.
 Velazco, Chris, "ASUS ZenWatch review: subtle and stylish, with a few shortcomings," Engadget.com, <<http://www.engadget.com/2014/12/11/asus-zenwatch-review/>>, dated Dec. 11, 2014, accessed Dec. 15, 2014.
 Watches Infoniac.com, "Hermes Carre H Watch—Extremely Contemporary Design," <<http://watches.infoniac.com/carre-h-watch-hermes.html>>, dated Aug. 13, 2010, accessed Dec. 18, 2014.
 Watchismo, "Braun BN0042 Black Date Leather," <<http://web.archive.org/web/20130815073830/http://www.watchismo.com/braun-bn0042bkbk.aspx>>, dated Aug. 15, 2013, accessed Dec. 18, 2014.
 Omate, "Ornate TrueSmart: Water-resistant standalone Smartwatch 2.0," <<http://www.kickstarter.com/projects/omate/ornate-truesmart-water-resistant-standalone-smartwa>>, dated Aug. 21, 2013, accessed Oct. 8, 2014.
 geekbuying.com, "Makibes unisex red led digital wrist watch with square case silicone watchband—white," <<http://www.geekbuying.com/item/Unisex-Red-LED-Digital-Wrist-Watch-with-Square-Case-Silicone-Watchband---White-326443.html>>, accessed Oct. 9, 2014.
 Emily, "Nixon—The Newton Digital," <<http://www.freshnessmag.com/2009/09/08/nixon-the-newton-digital/>>, freshnessmag.com, dated Sep. 8, 2009, accessed Oct. 9, 2014.
 Ted Baker, "Ted Baker Men's TE1054 Time Flies Contemporary Square Digital Case Watch," <<http://www.amazon.com/Ted-Baker-TE1054-Contemporary-Digital/dp/B0045CRTYO%3FSubscriptionId%3DAKIAJ3U4YRIBWCGGKZ2A%26tag%3Dfrases36520%26linkCode%3Dsp1%26camp%3D2025%26creative%3D165953%26creativeASIN%3DB0045CRTYO>>, accessed Oct. 9, 2014.
 Suunto D6 Replacement Stainless Metal Watch Band Bracelet SS013525000 w/ Free Shipping and Handling, <<http://www.opticsplanet.com/suunto-d6-replacement-stainless-bracelet.html>>, accessed Dec. 5, 2014.
 Ipod Nano Watch Band Metal, <<http://trend-kid.com/ipod-nano-watch-band-orange.htm>>, accessed Dec. 5, 2014.
 Twist-O-Flex Radial (16-21mm, Stainless Steel), <<http://www.thewatchprince.com/Speidel-Twist-O-Flex-Expansion-Radial-Stainless>>, accessed Dec. 5, 2014.
 Haedges, "1 Set Silver End Cap Clasp—Findings Large Toggle Clasp End Caps Buckle Connector with Five Inside Loops for Jewelry Making 26mm," <<http://www.etsy.com/listing/101269004/1-set-silver-end-cap-clasp-findings?ref=market>>, Listed on Aug. 29, 2014, accessed Oct. 9, 2014.
 Thomas Ricker, "Nike's Amp+ watch: hearts your heart and iPod, too," Oct. 5, 2007, <<http://www.engadget.com/2007/10/05/nikes-amp-watch-hearts-your-heart-and-ipod-tool>>, accessed Dec. 17, 2014.
 Omate, "The TrueSmart™ is the world's first standalone smartwatch 2.0 running on top of Android and OUI 2.0," <<http://www.omate.com/product.html>>, accessed Dec. 15, 2014.
 [Online] <http://i1-news.softpedia-static.com/images/news2/The-Chips-for-Apple-s-Smartwatch-Are-Entering-Production-464937-2.jpg> Retrieved on Feb. 17, 2015.

(56)

References Cited

OTHER PUBLICATIONS

U.S. Appl. No. 29/499,071, filed Aug. 11, 2014.
U.S. Appl. No. 29/499,075, filed Aug. 11, 2014.

U.S. Appl. No. 29/499,084, filed Aug. 11, 2014.
U.S. Appl. No. 29/499,087, filed Aug. 11, 2014.
U.S. Appl. No. 29/499,089, filed Aug. 11, 2014.
U.S. Appl. No. 29/501,752, filed Sep. 8, 2014.

* cited by examiner

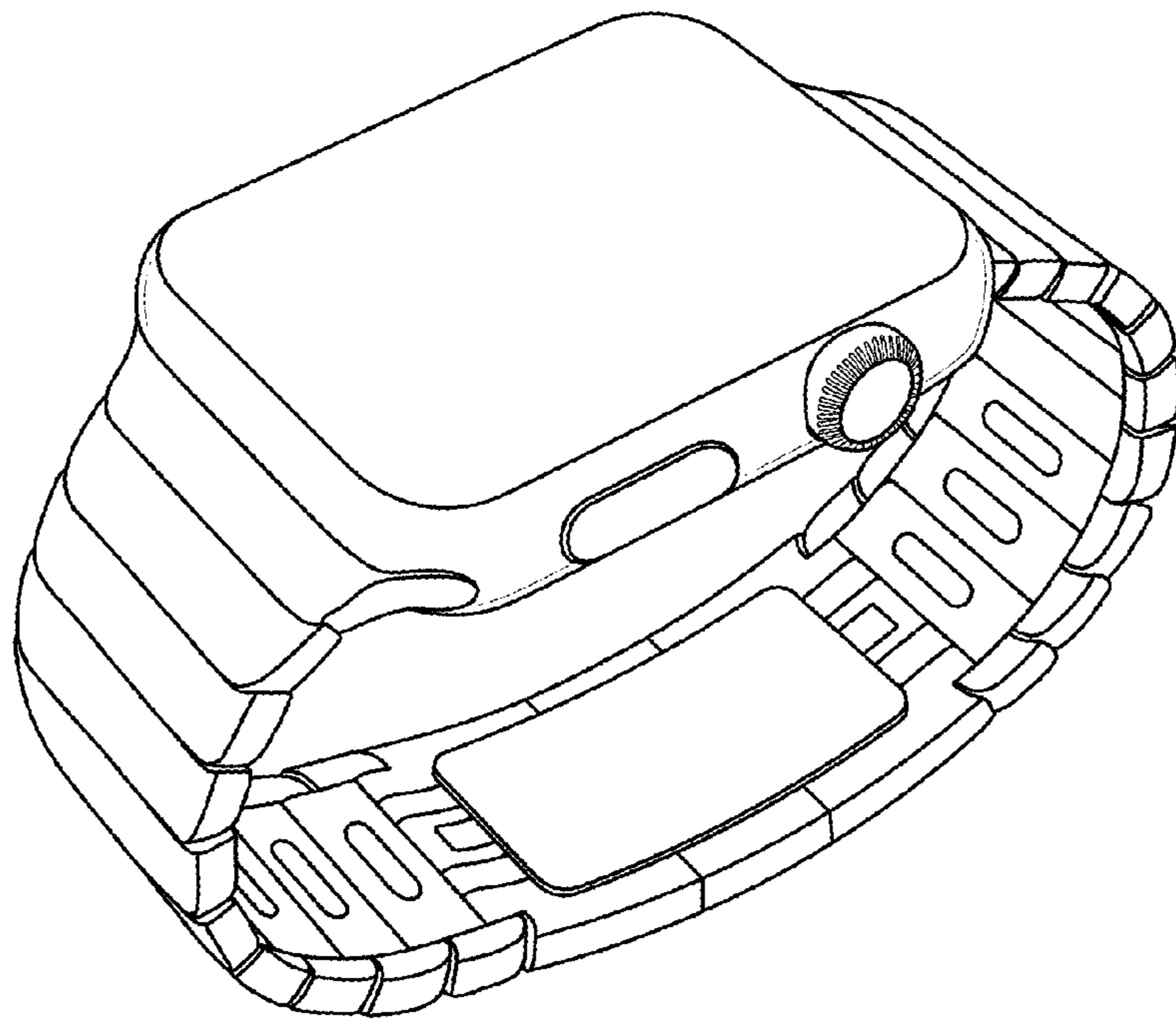


FIG. 1

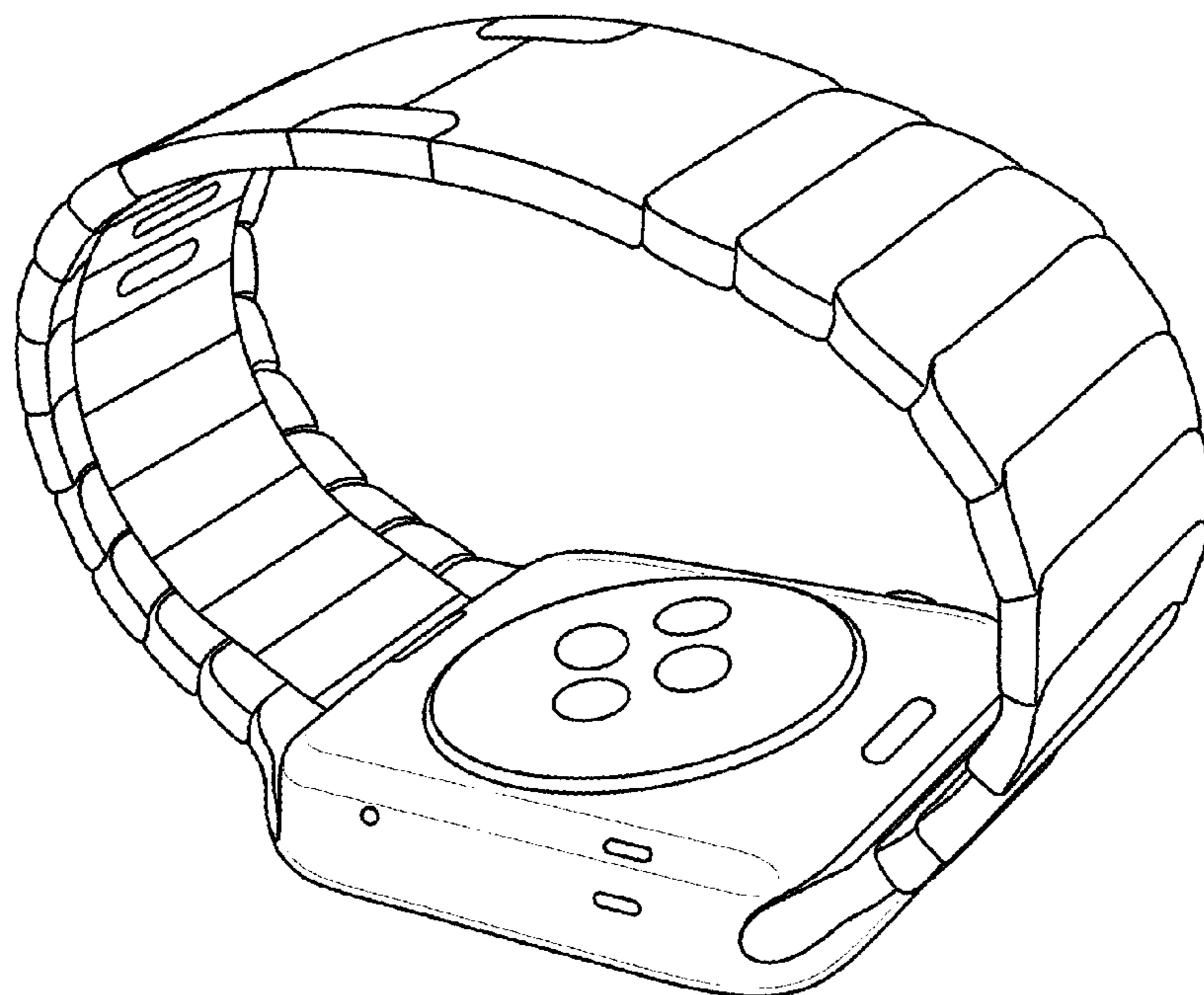


FIG. 2

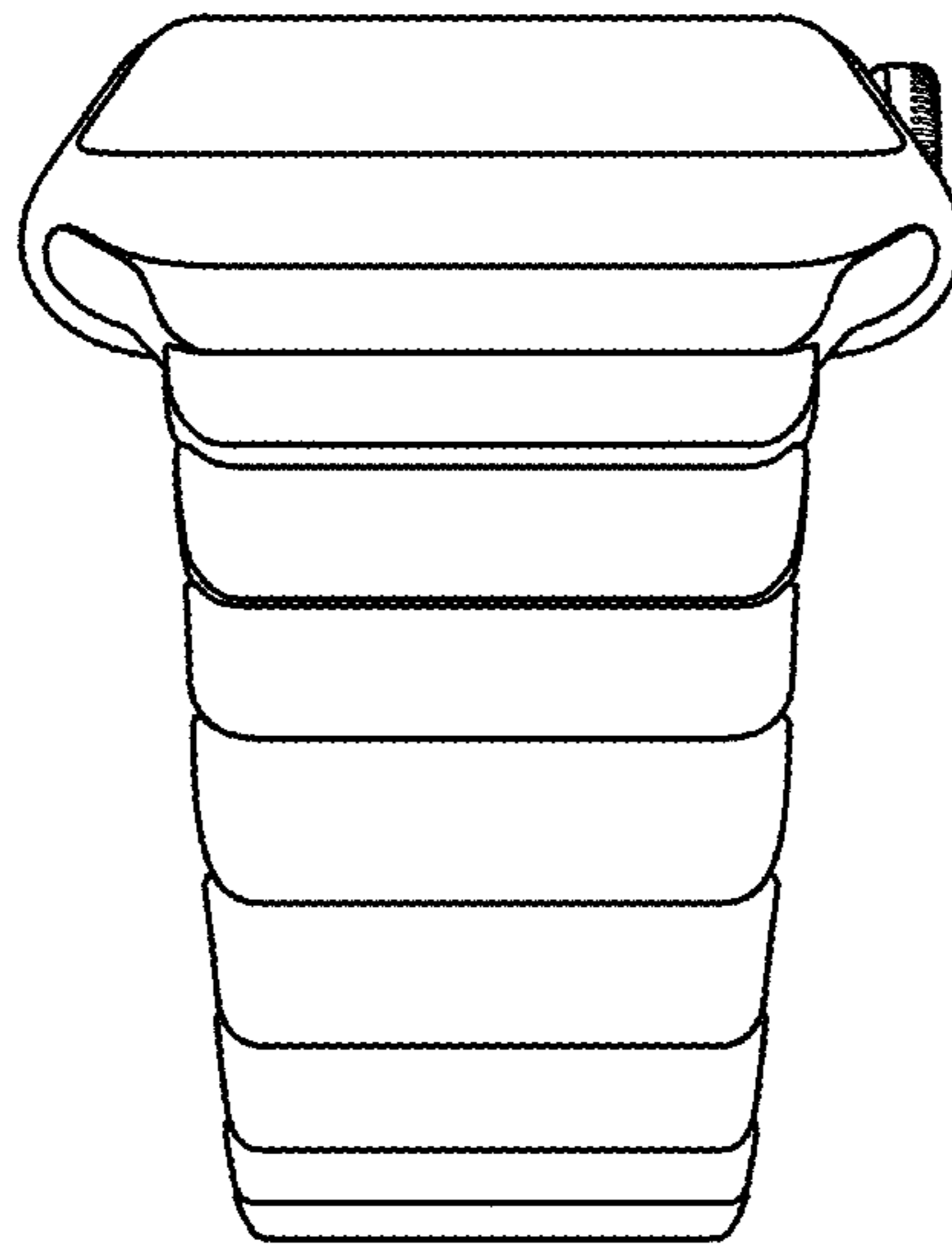


FIG. 3

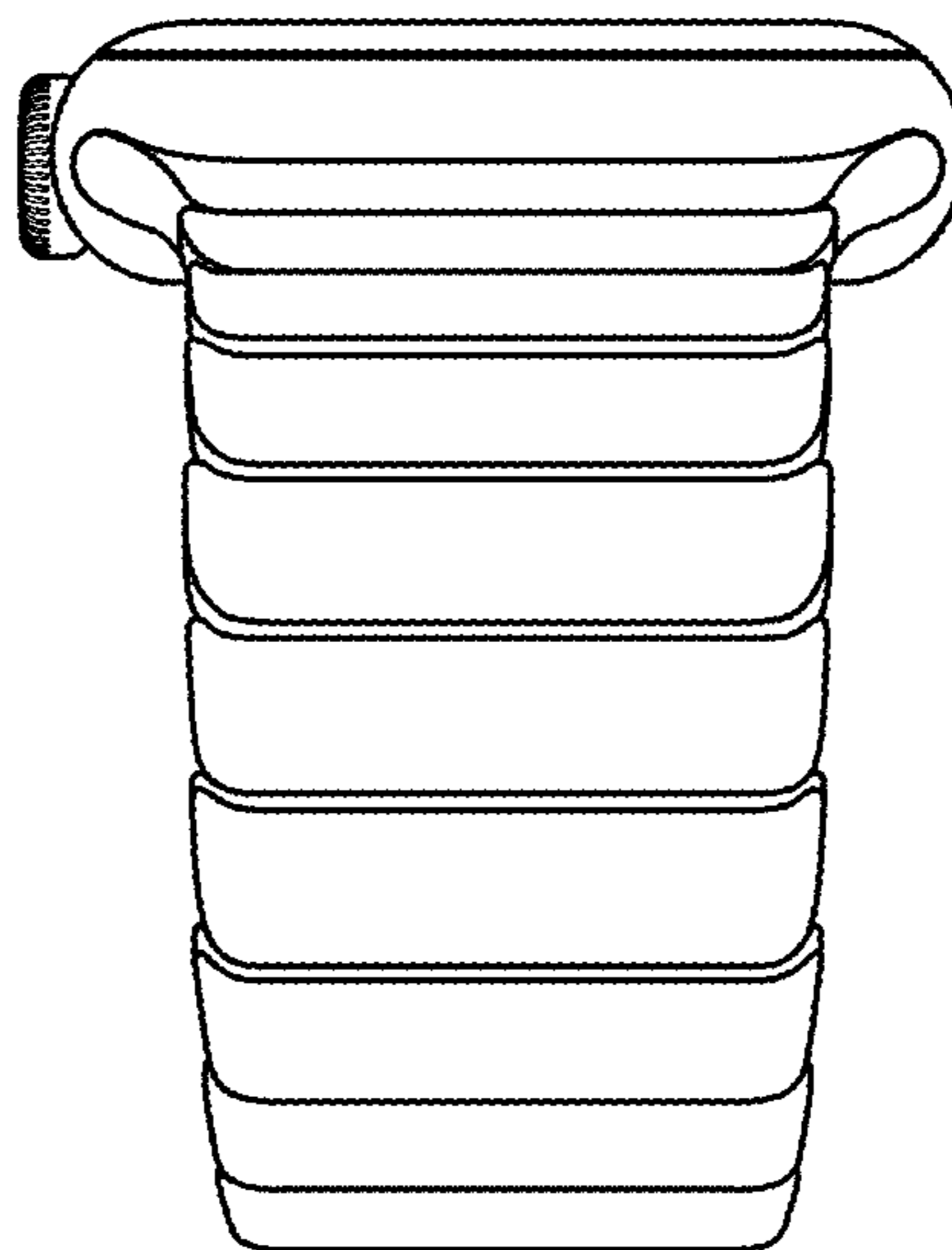


FIG. 4

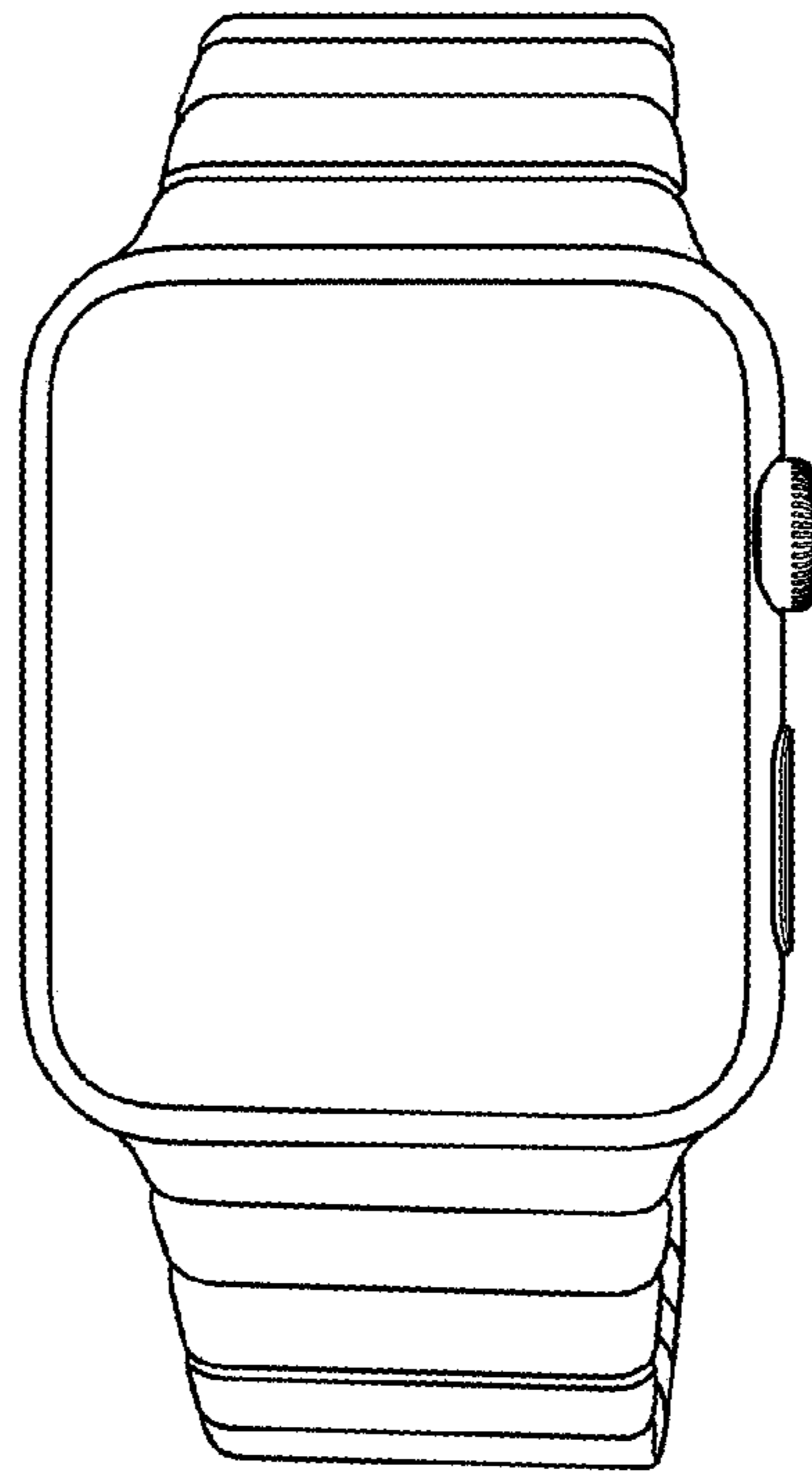


FIG. 5

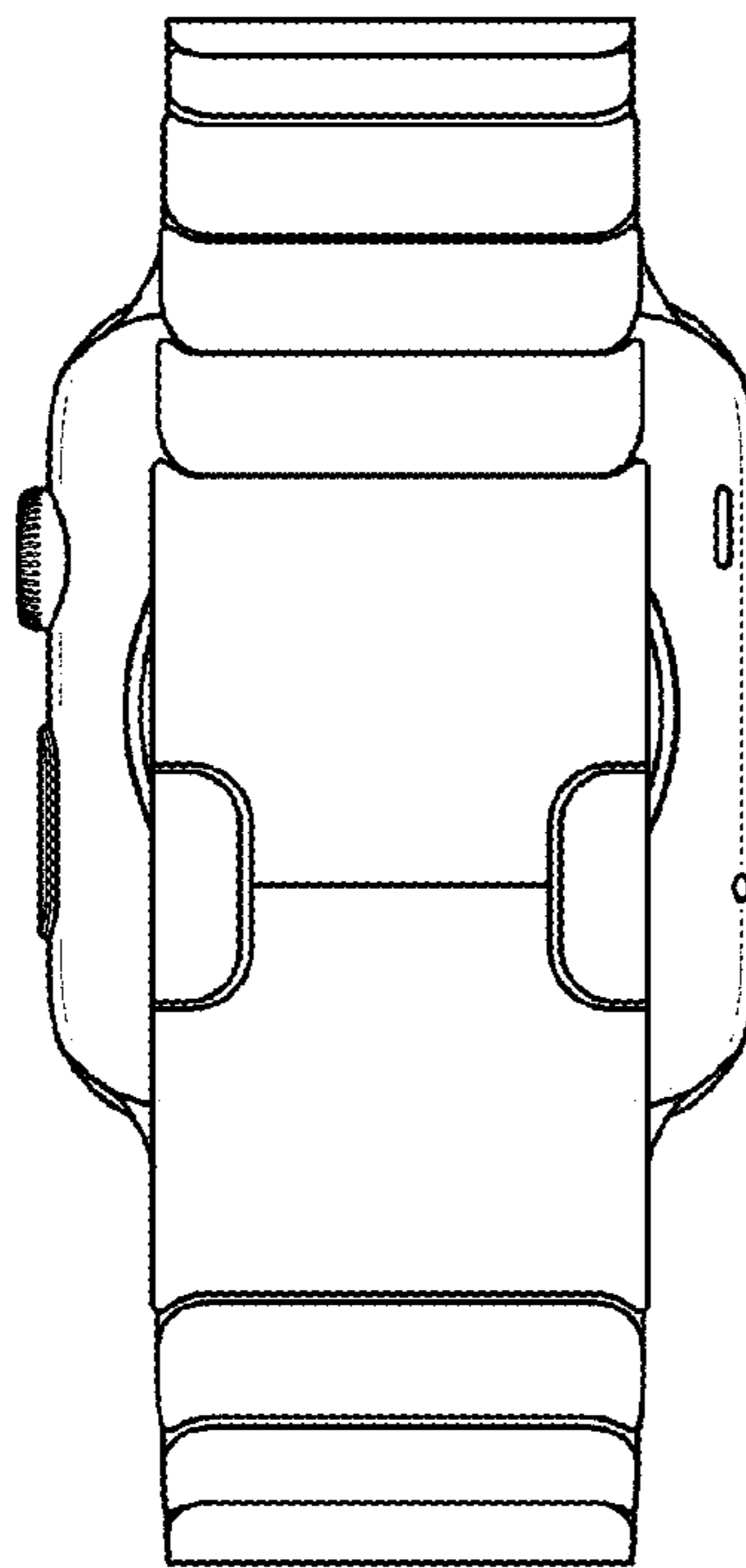


FIG. 6

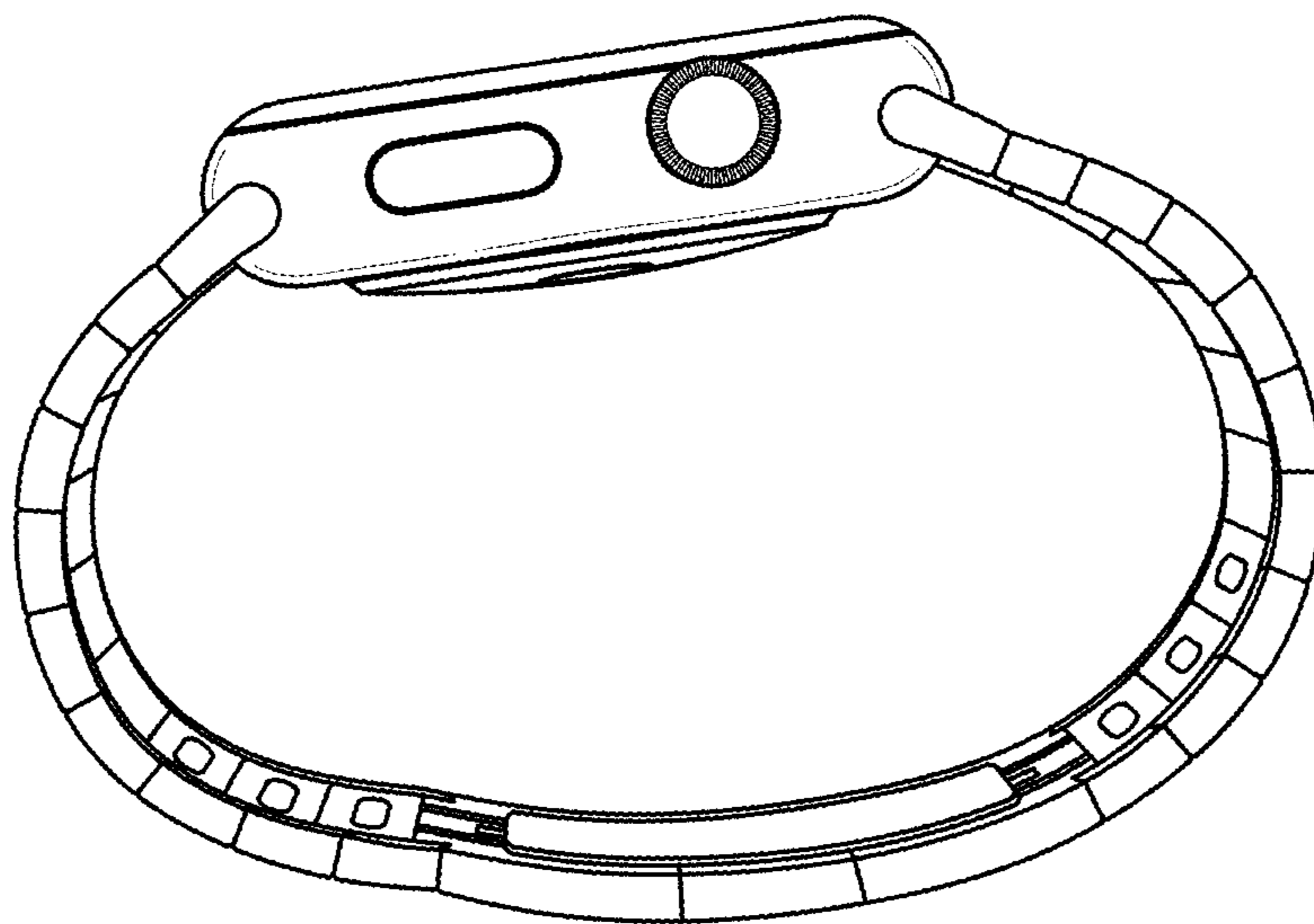


FIG. 7

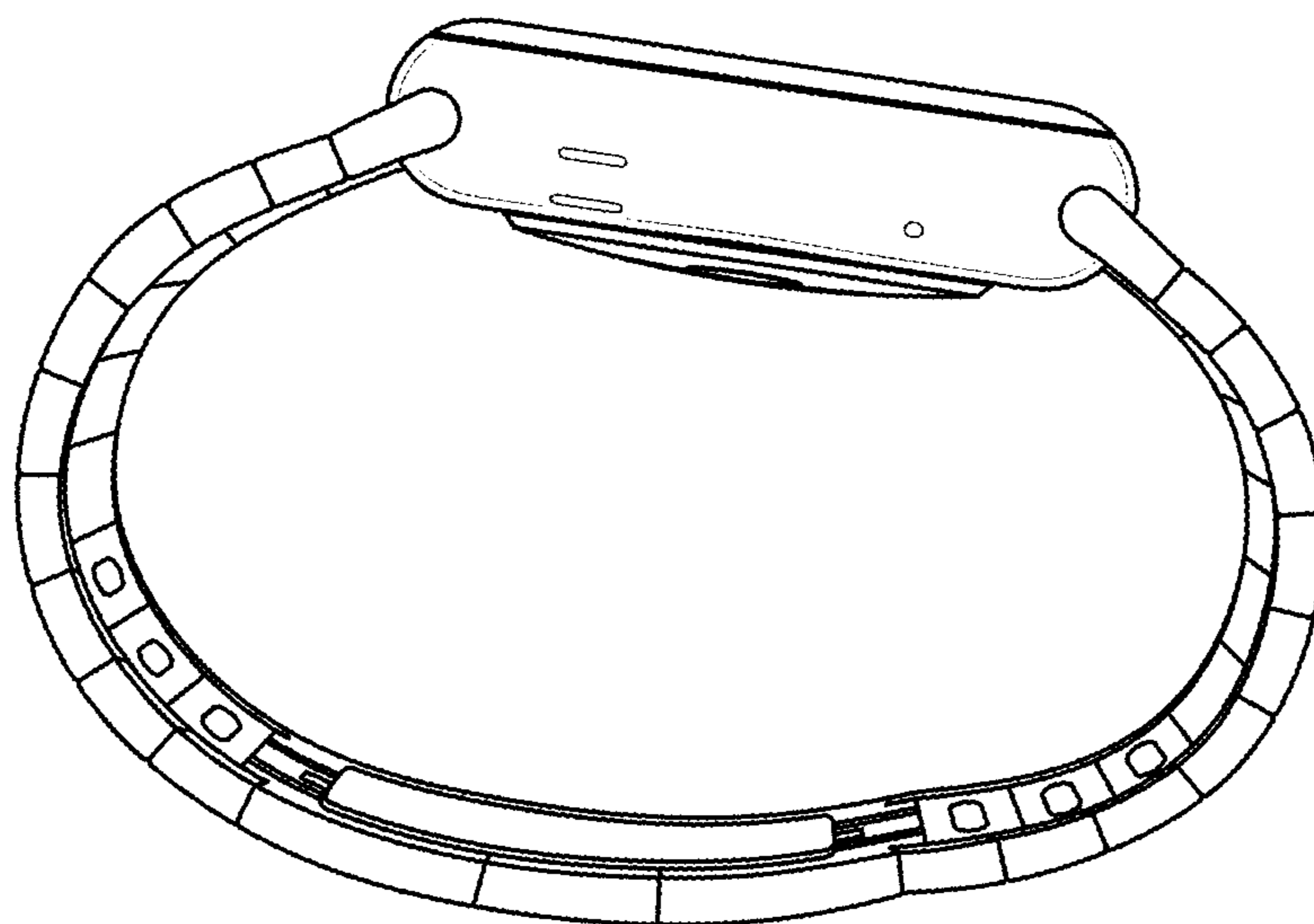


FIG. 8

UNITED STATES PATENT AND TRADEMARK OFFICE
CERTIFICATE OF CORRECTION

PATENT NO. : D766,752 S
APPLICATION NO. : 29/501059
DATED : September 20, 2016
INVENTOR(S) : Jody Akana

Page 1 of 1

It is certified that error appears in the above-identified patent and that said Letters Patent is hereby corrected as shown below:

In The Specification

In the "Description" section, separate lines 1 – 3, "FIG. 1 is a bottom front perspective view of a wearable device showing our new design; FIG. 2 is a top rear perspective view thereof;" into two paragraphs and replace with

--"FIG. 1 is a bottom front perspective view of a wearable device showing our new design;
FIG. 2 is a top rear perspective view thereof:"--

Signed and Sealed this
Twenty-ninth Day of November, 2016



Michelle K. Lee
Director of the United States Patent and Trademark Office