

US00D766751S

(12) **United States Design Patent**
Reeder

(10) **Patent No.:** **US D766,751 S**

(45) **Date of Patent:** **** Sep. 20, 2016**

(54) **GAUGE WITH HANDLE**

(71) Applicant: **Steven L. Reeder**, Salisbury, NC (US)

(72) Inventor: **Steven L. Reeder**, Salisbury, NC (US)

(73) Assignee: **Custom Glass Products of Carolina, Inc.**, Salisbury, NC (US)

(**) Term: **15 Years**

(21) Appl. No.: **29/527,127**

(22) Filed: **May 15, 2015**

Related U.S. Application Data

(62) Division of application No. 29/446,465, filed on Feb. 24, 2013, now Pat. No. Des. 732,360.

(51) **LOC (10) Cl.** **10-04**

(52) **U.S. Cl.**
USPC **D10/64; D8/19**

(58) **Field of Classification Search**
USPC D8/16, 19; D10/64, 65
CPC E04F 21/00; E04F 21/003; E06B 3/667;
E06B 3/6675; E06B 3/68; E06B 3/685;
G01B 3/30
See application file for complete search history.

(56) **References Cited**

U.S. PATENT DOCUMENTS

D134,142 S * 10/1942 Truhon D10/65
4,901,497 A * 2/1990 Lee E04F 21/00
249/192
5,604,988 A * 2/1997 Costelloe B25H 7/02
33/194
6,360,445 B1 * 3/2002 Haas B44D 3/38
33/1 LE
D456,287 S * 4/2002 Ferruggia D10/64

D508,861 S * 8/2005 Zavala D10/64
7,467,476 B2 * 12/2008 Digavero B25H 7/02
33/528
7,849,607 B2 * 12/2010 Alvarez E04F 21/003
33/194
8,893,394 B2 * 11/2014 Parkin E04F 21/00
33/194
D732,360 S * 6/2015 Reeder D10/64
2009/0229139 A1 * 9/2009 Alvarez E04F 21/003
33/567.1
2013/0239419 A1 * 9/2013 Parkin E04F 21/00
33/194

* cited by examiner

Primary Examiner — Antoine D Davis

(74) *Attorney, Agent, or Firm* — Atlanta Technology Law

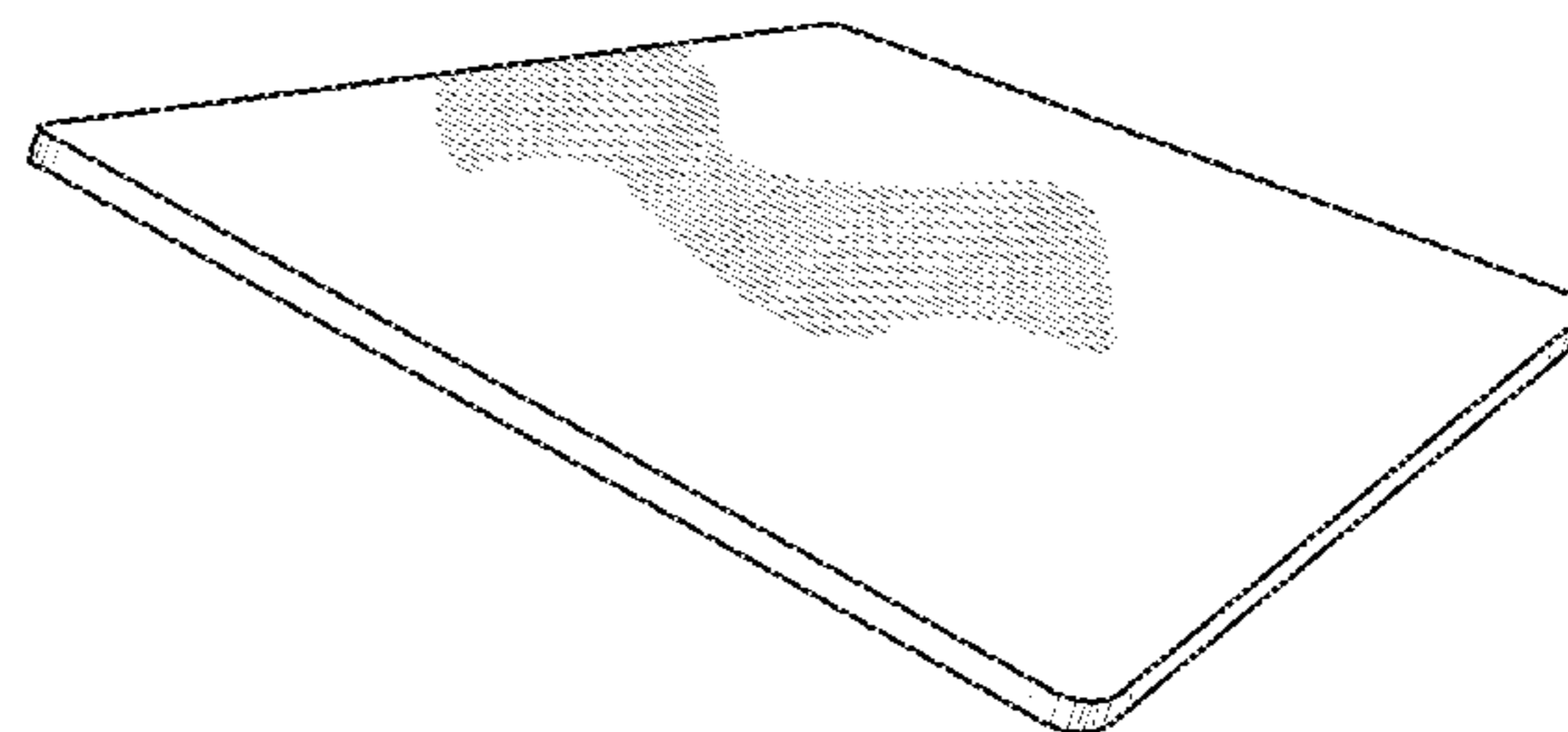
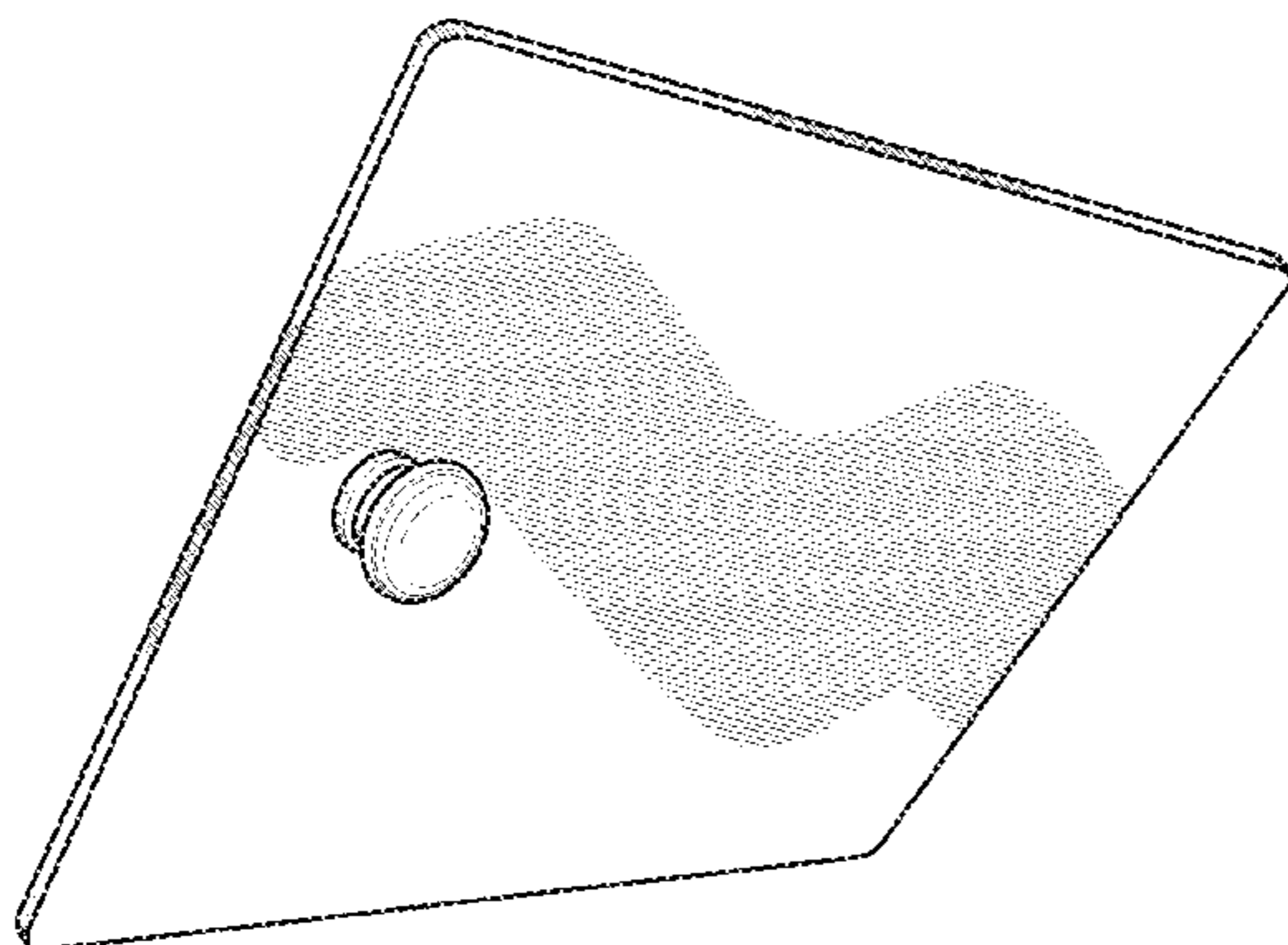
(57) **CLAIM**

The ornamental design for the gauge with handle, as shown and described.

DESCRIPTION

FIG. 1 is an isometric view of the front side of the gauge of the new decorative design;
FIG. 2 is an isometric view of the back side of the new gauge design show in FIG. 1;
FIG. 3 is a front plan view of the new gauge design shown in FIG. 1;
FIG. 4 is a right side elevation view of the new gauge design shown in FIG. 1;
FIG. 5 is a back plan view of the new gauge design shown in FIG. 1;
FIG. 6 is a left side elevation view of the new gauge design shown in FIG. 1;
FIG. 7 is a top side elevation view of the new gauge design shown in FIG. 1; and,
FIG. 8 is a bottom side elevation view of the new gauge design shown in FIG. 1.

1 Claim, 4 Drawing Sheets



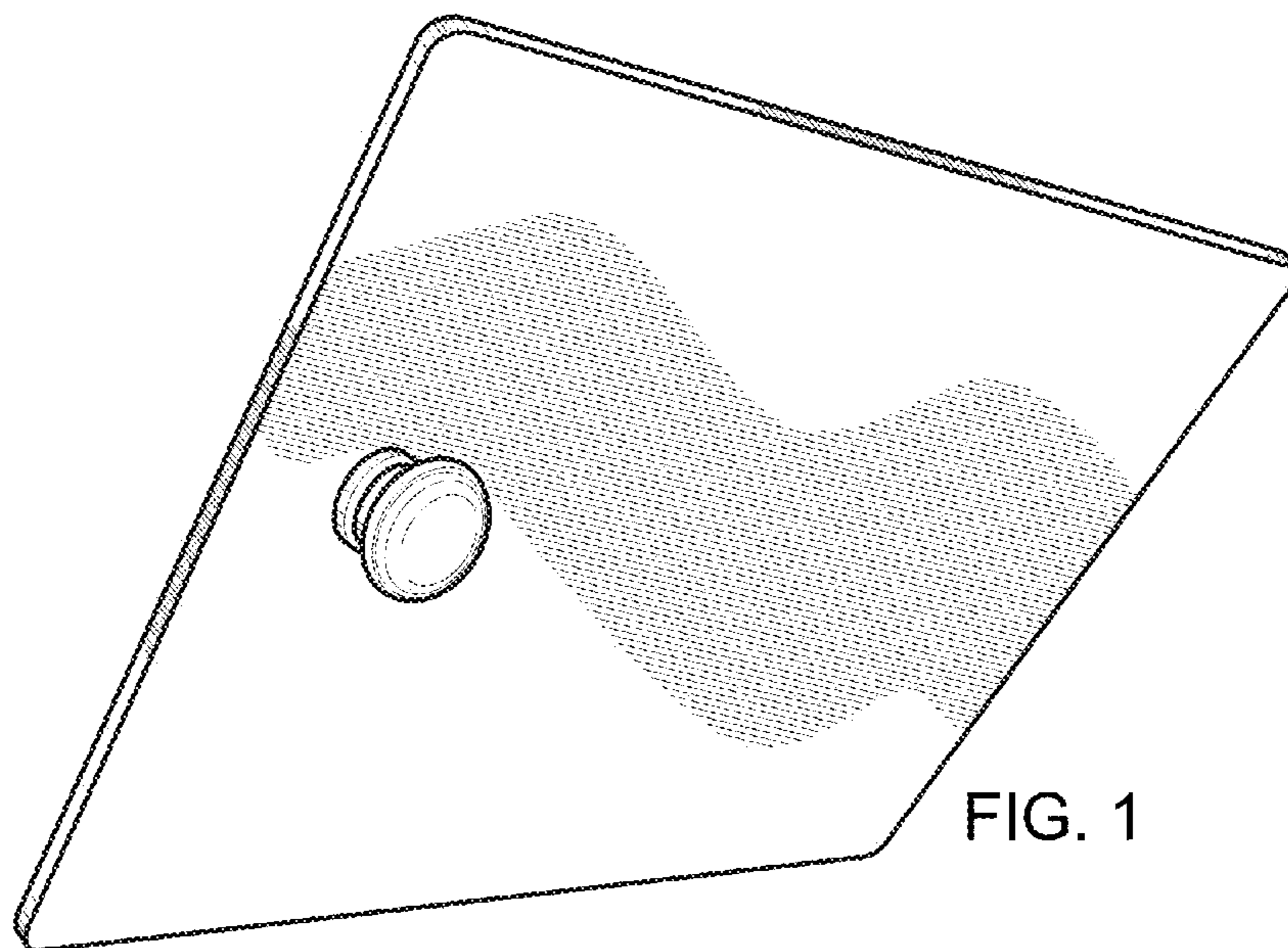


FIG. 1

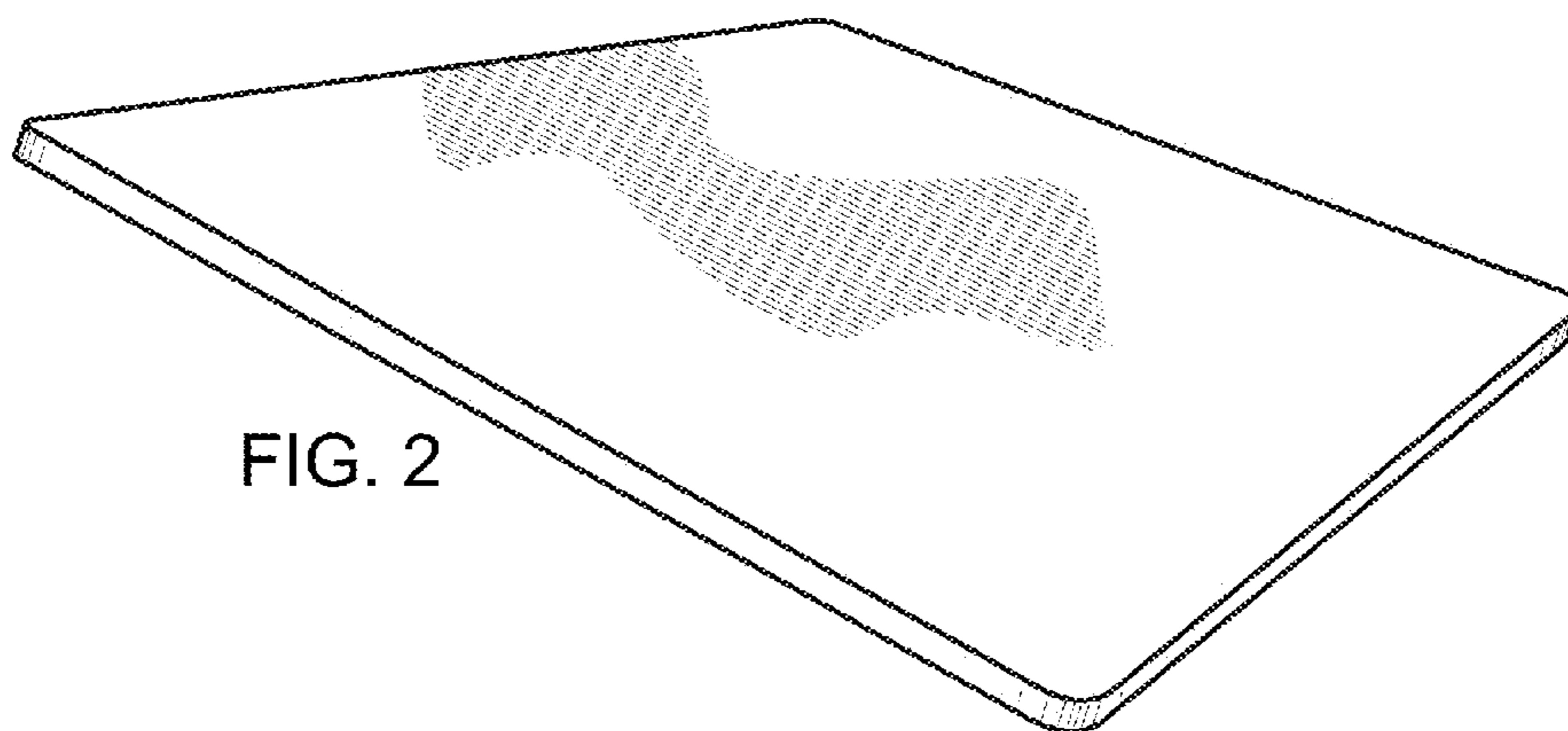


FIG. 2

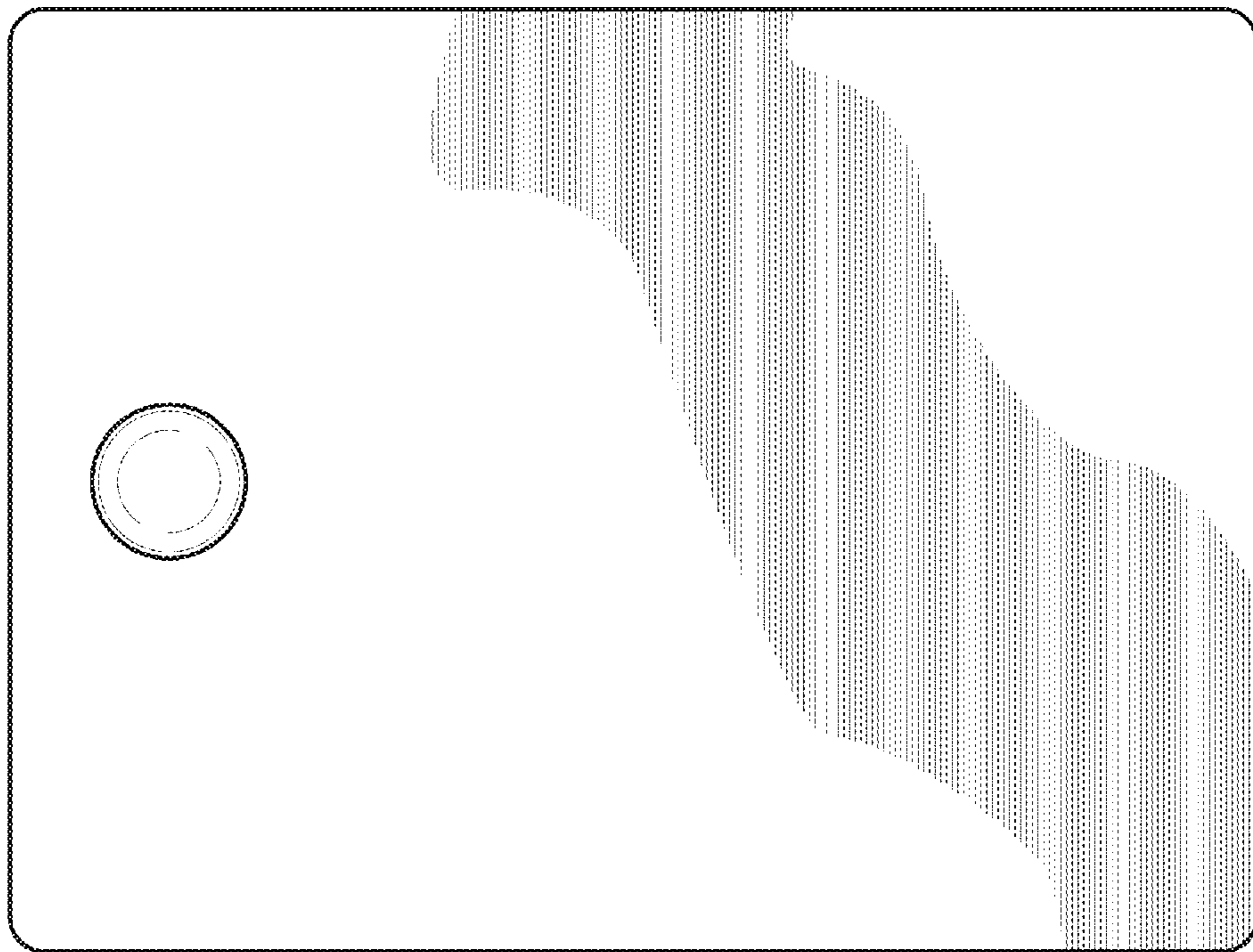


FIG. 3



FIG. 4

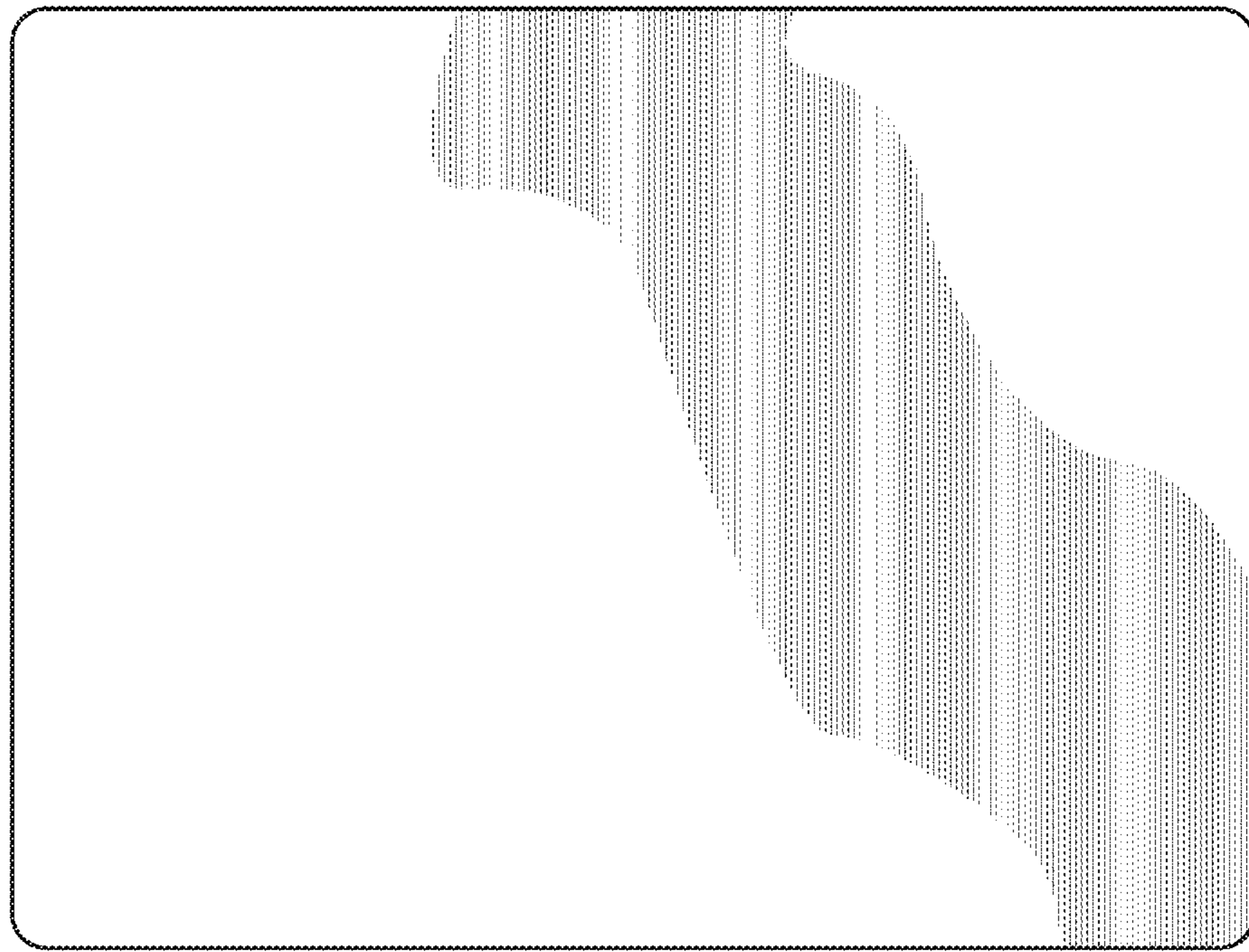


FIG. 5



FIG. 6

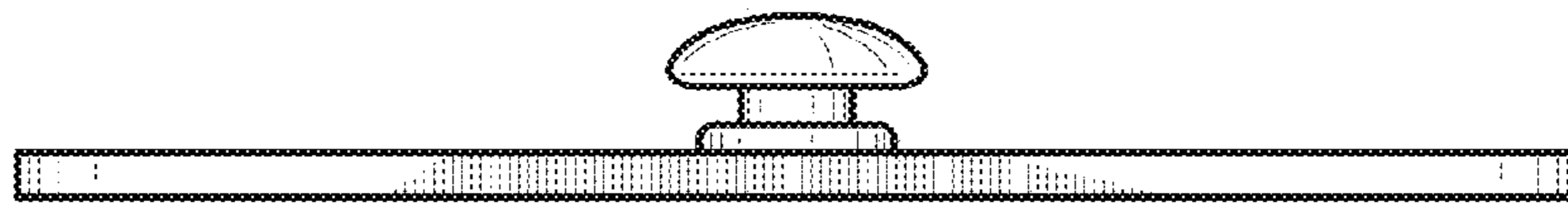


FIG. 7

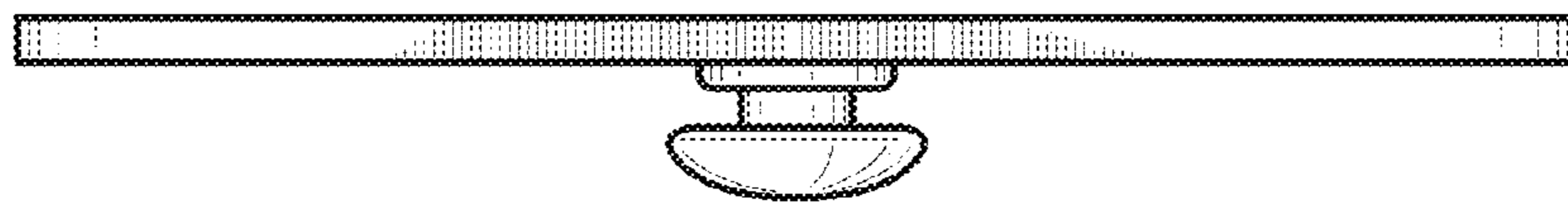


FIG. 8