

US00D766748S

(12) **United States Design Patent**
Repp

(10) **Patent No.:** **US D766,748 S**

(45) **Date of Patent:** **** Sep. 20, 2016**

(54) **TEMPERATURE DISPLAY DEVICE**

(71) Applicant: **Weber-Stephen Products LLC**,
Palatine, IL (US)

(72) Inventor: **Timothy C. Repp**, Barkhamsted, CT
(US)

(73) Assignee: **Weber-Stephen Products LLC**,
Palatine, IL (US)

(**) Term: **14 Years**

(21) Appl. No.: **29/508,279**

(22) Filed: **Nov. 4, 2014**

(51) **LOC (10) Cl.** **10-04**

(52) **U.S. Cl.**
USPC **D10/50**

(58) **Field of Classification Search**
USPC D10/49, 50, 60
CPC F23N 5/20; F23N 5/203; F23N 5/206;
F23N 5/18; F23N 5/184; F23N 5/187;
F23N 5/22; F23N 2025/12; F23N 2041/02;
F24F 11/00; F24F 11/0012; F24F 11/0009;
F24F 11/001; F24F 2011/0057; F24F
2011/0073; F24F 2011/0091

See application file for complete search history.

(56) **References Cited**

U.S. PATENT DOCUMENTS

5,746,114 A	5/1998	Harris
6,046,674 A	4/2000	Irwin et al.
6,080,972 A	6/2000	May
6,539,842 B1	4/2003	Chapman et al.
6,712,505 B2	3/2004	Chapman et al.
6,811,308 B2	11/2004	Chapman et al.
6,850,861 B1	2/2005	Faiola et al.
7,066,644 B2	6/2006	Padgett
7,128,466 B2	10/2006	Chang et al.
7,201,099 B2	4/2007	Harris, Jr. et al.
D565,438 S	4/2008	Serre

7,372,368 B2	5/2008	Chapman et al.	
7,703,389 B2	4/2010	McLemore et al.	
D666,929 S	9/2012	Tyler	
8,931,400 B1	1/2015	Allen	
D724,448 S	3/2015	Lee	
D725,285 S	3/2015	Wohlstadter et al.	
D725,524 S *	3/2015	Takach et al.	D10/103
2003/0202558 A1	10/2003	Chung et al.	
2006/0203881 A1 *	9/2006	Hsieh	374/151
2010/0142586 A1 *	6/2010	Juan	374/152
2010/0303972 A1	12/2010	Srivastava	

(Continued)

OTHER PUBLICATIONS

Brookstone, Grill Alert™. Talking Remote Meat Thermometer Instructions, Mar. 18, 2005.

(Continued)

Primary Examiner — Antoine D Davis

(74) *Attorney, Agent, or Firm* — Niro Law, Ltd.

(57) **CLAIM**

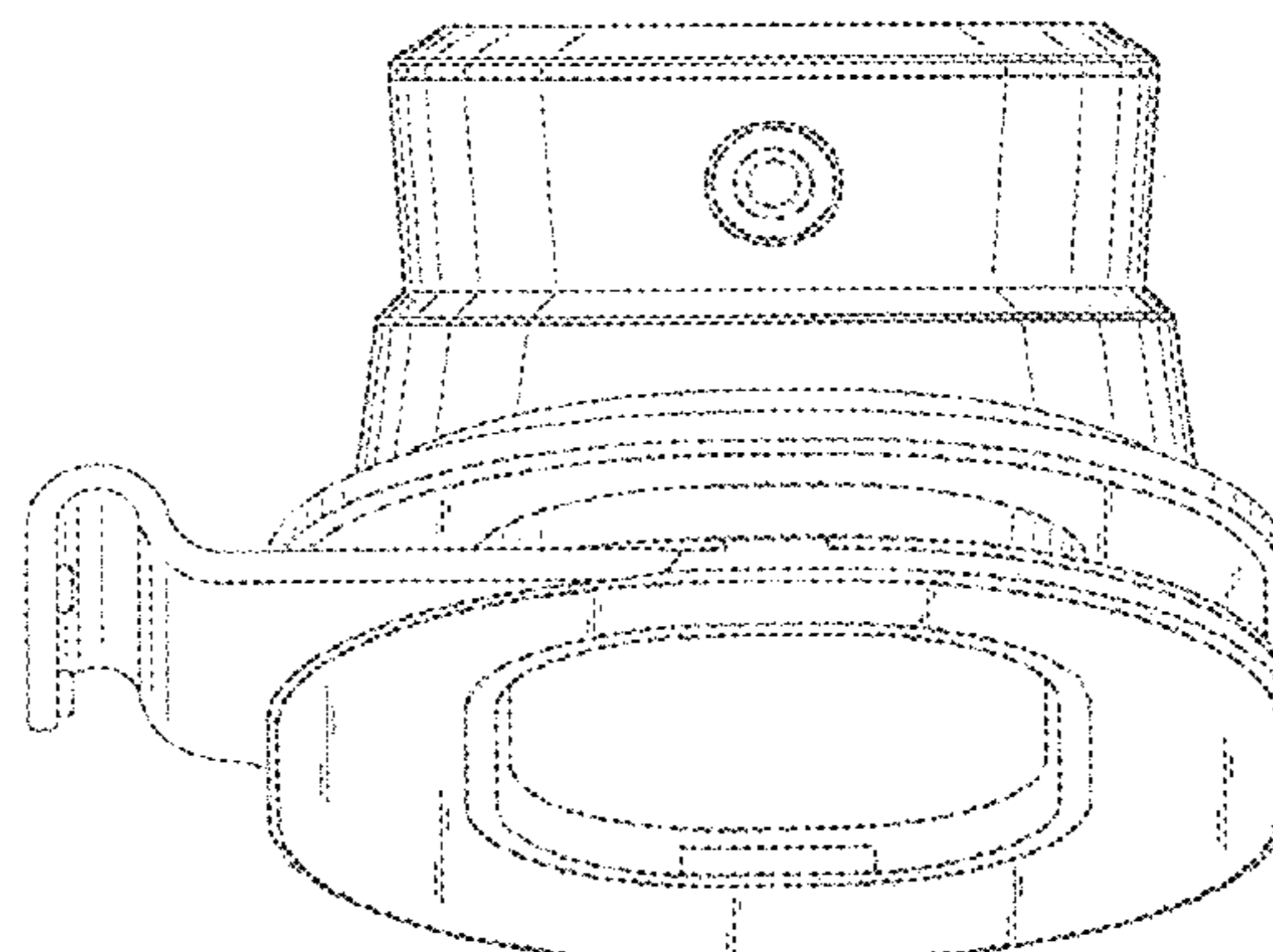
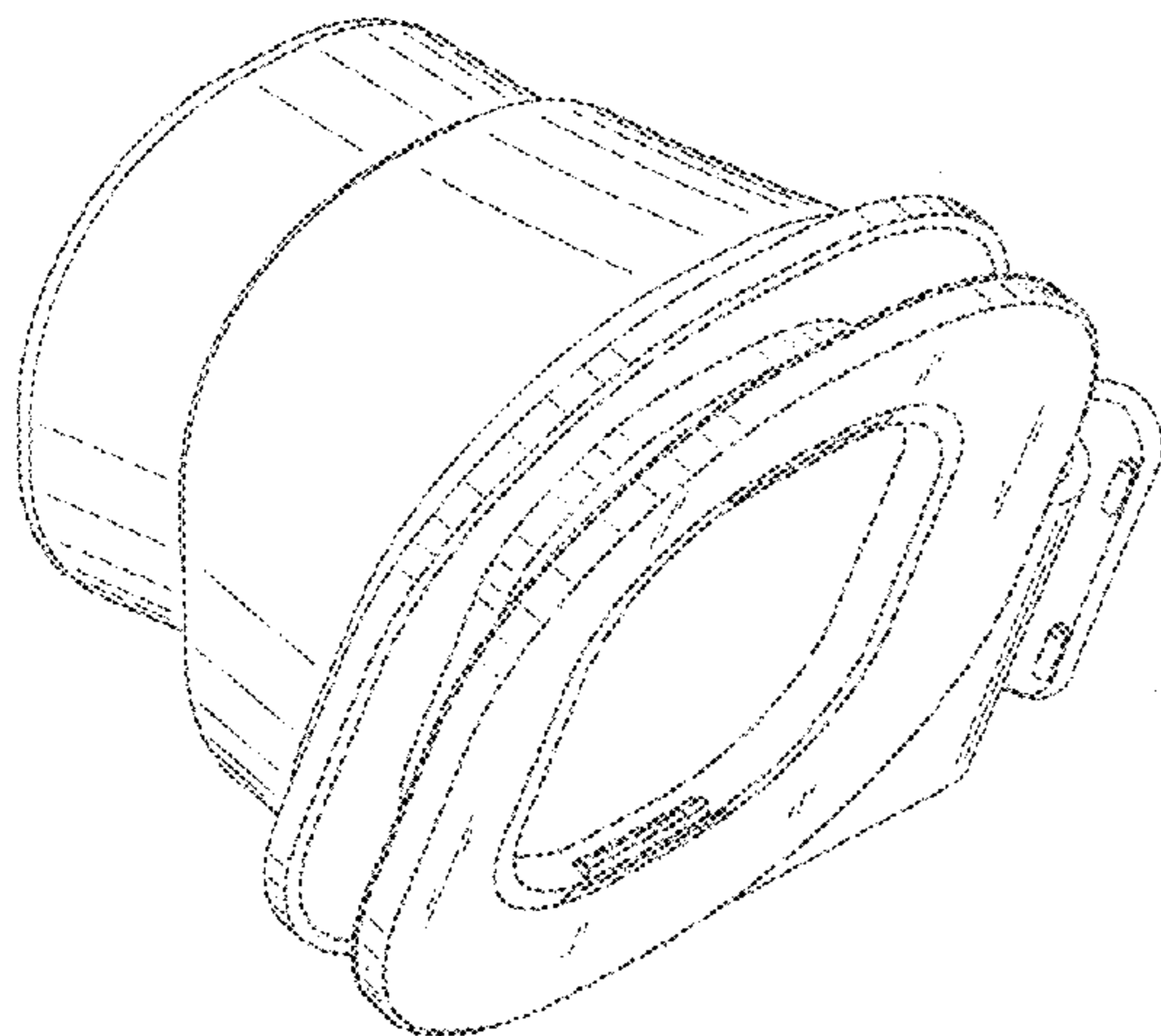
The ornamental design for a temperature display device, as shown and described.

DESCRIPTION

FIG. 1 is a rear right perspective view of an embodiment of a temperature display device showing the present invention; FIG. 2 is a bottom plan view thereof; FIG. 3 is a top plan view thereof; FIG. 4 is a right elevational view thereof; FIG. 5 is a left elevational view thereof; FIG. 6 is a rear elevational view thereof; and, FIG. 7 is a front elevational view thereof.

The broken lines in the figures show structure or boundaries that form no part of the claimed design, but rather show the environment in which the design is associated, or show portions of the article in which the design is embodied or applied that are not considered part of the claimed design.

1 Claim, 7 Drawing Sheets



(56)

References Cited

U.S. PATENT DOCUMENTS

2012/0130547 A1* 5/2012 Fadell et al. 700/276
2014/0091153 A1* 4/2014 Stefanski et al. 236/1 C

OTHER PUBLICATIONS

Weber Style™ Digital Thermometer(available prior to May 28,
2009) [Http://stor.weber.com/items/WeberStyle/Detail.aspx?pid=1131](http://stor.weber.com/items/WeberStyle/Detail.aspx?pid=1131).

* cited by examiner

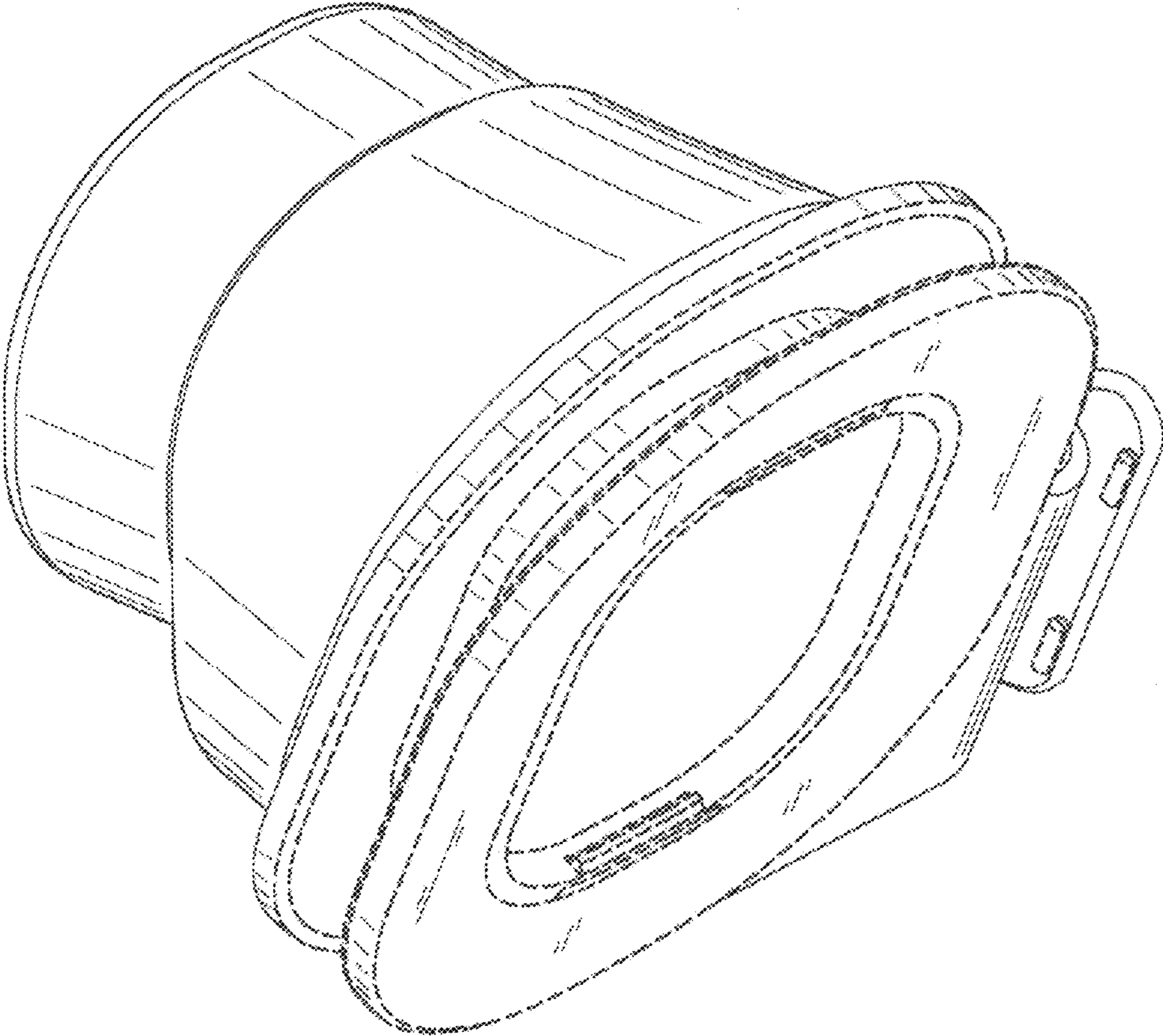


FIG. 1

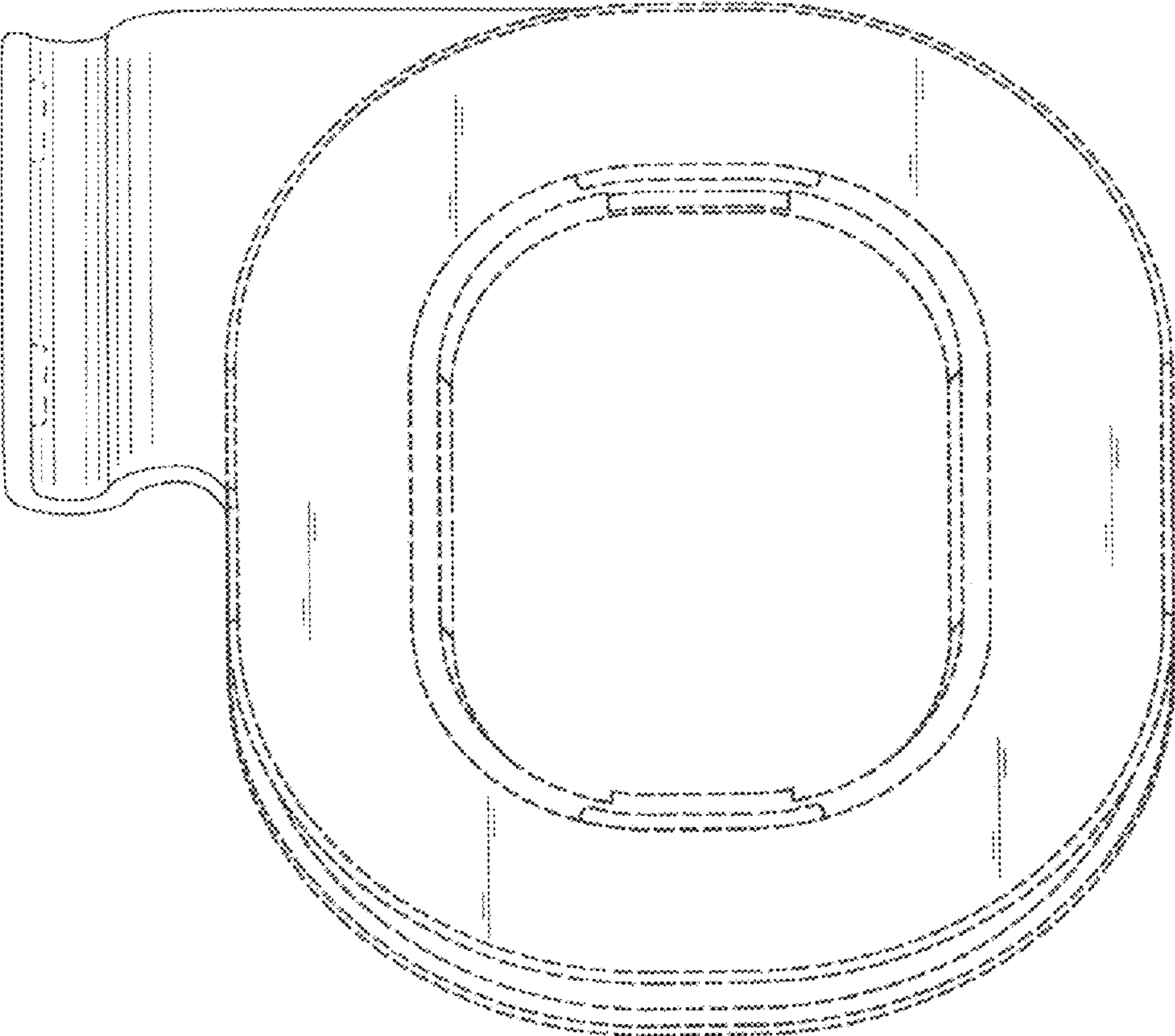


FIG. 2

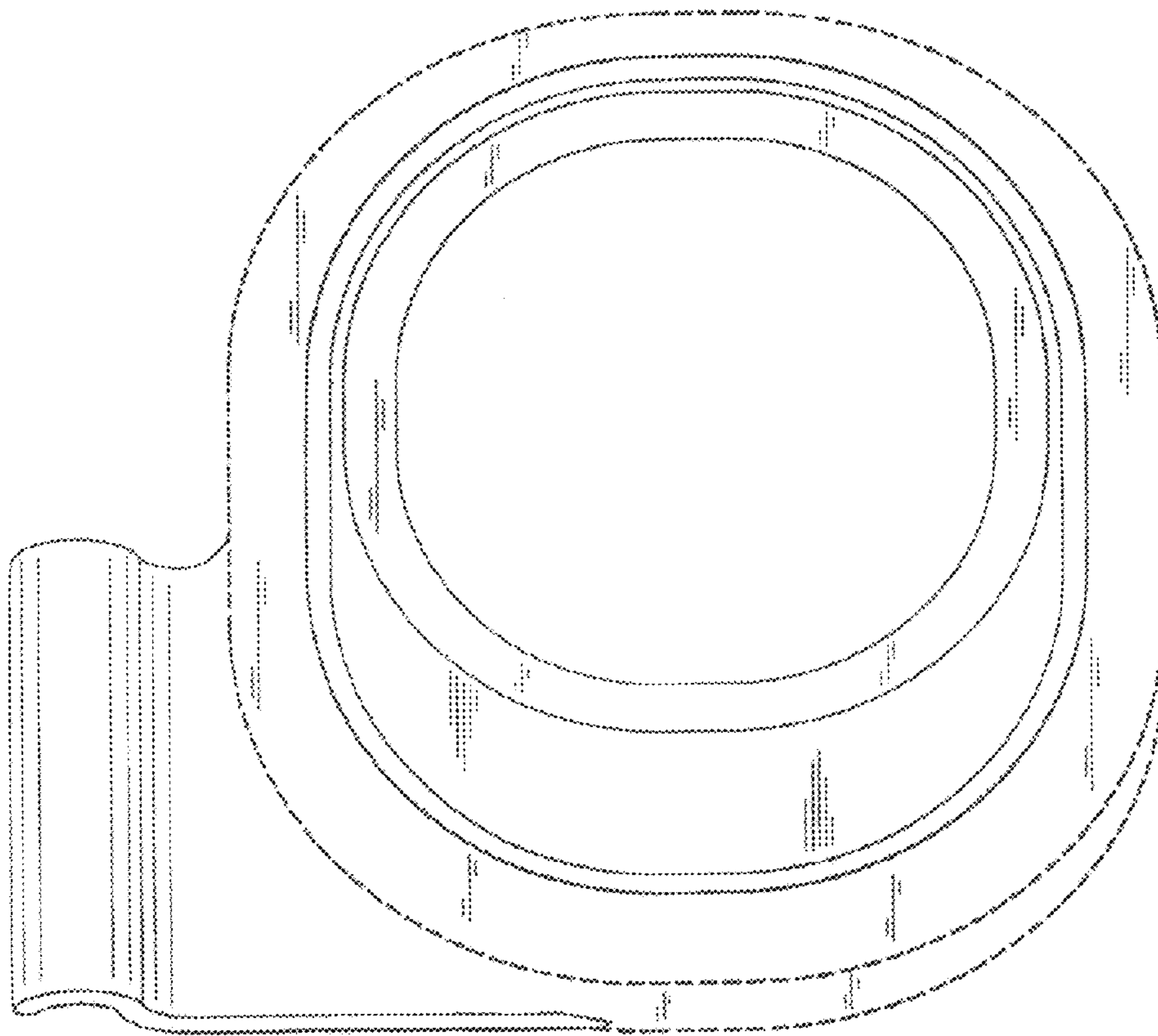


FIG. 3

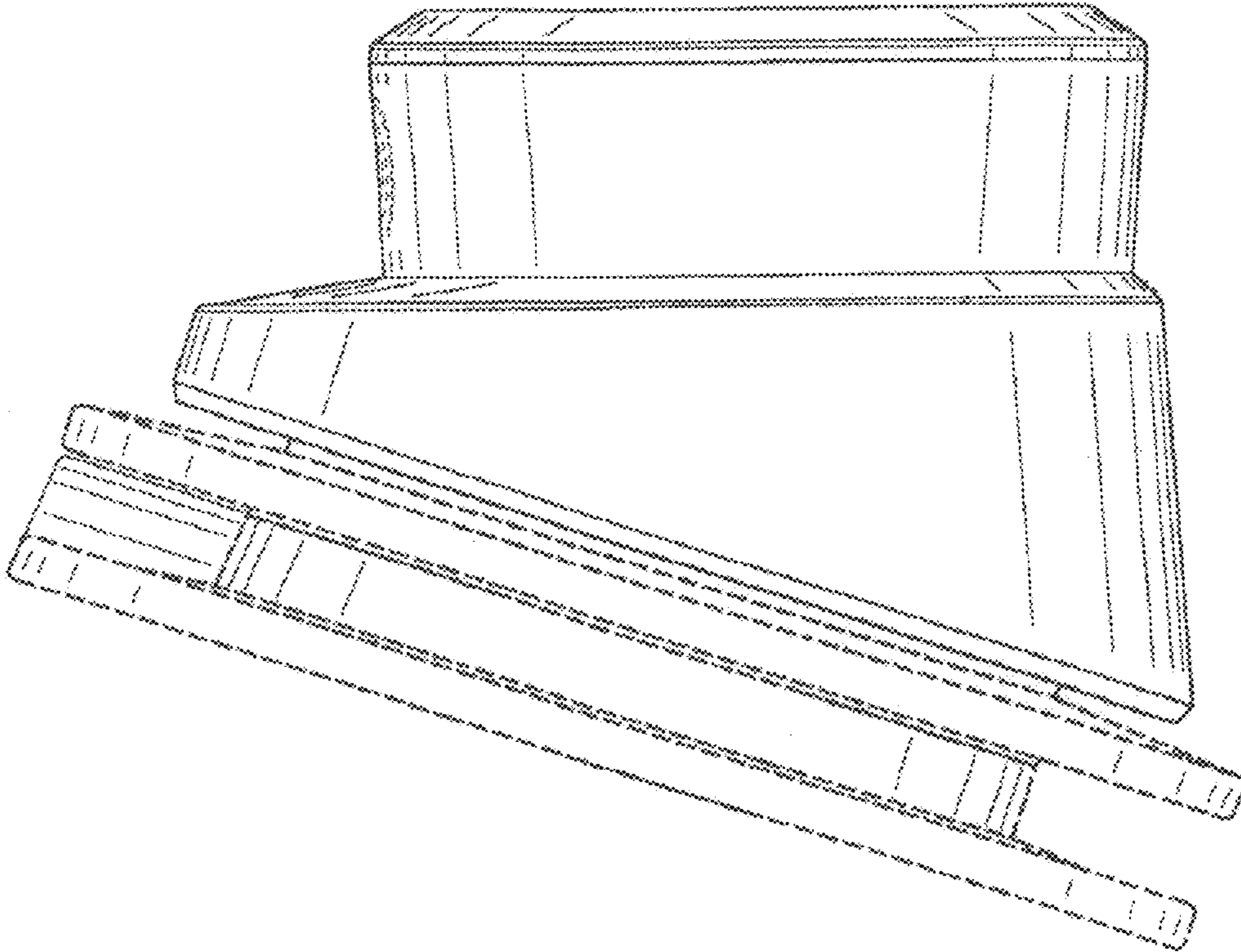


FIG. 4

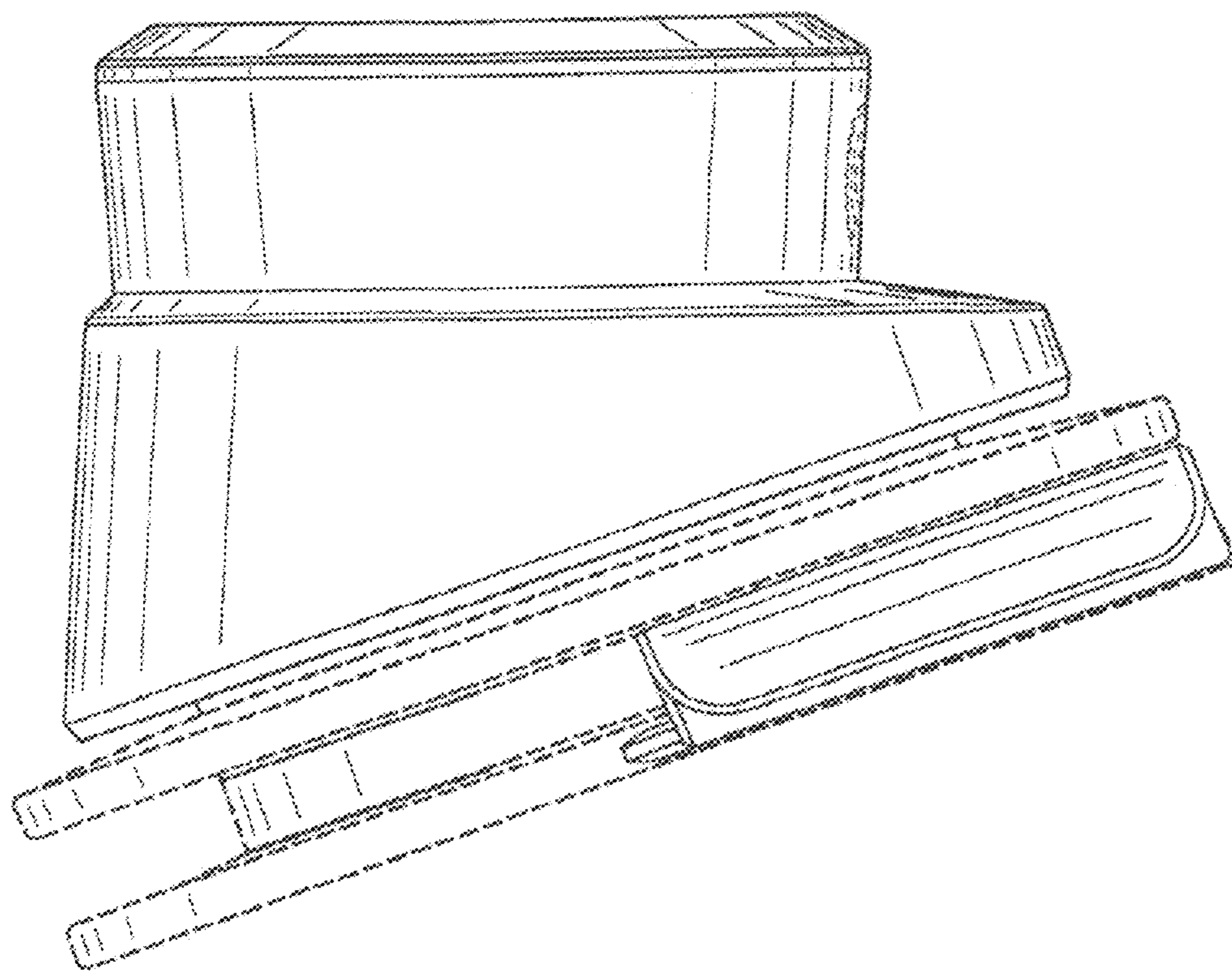


FIG. 5

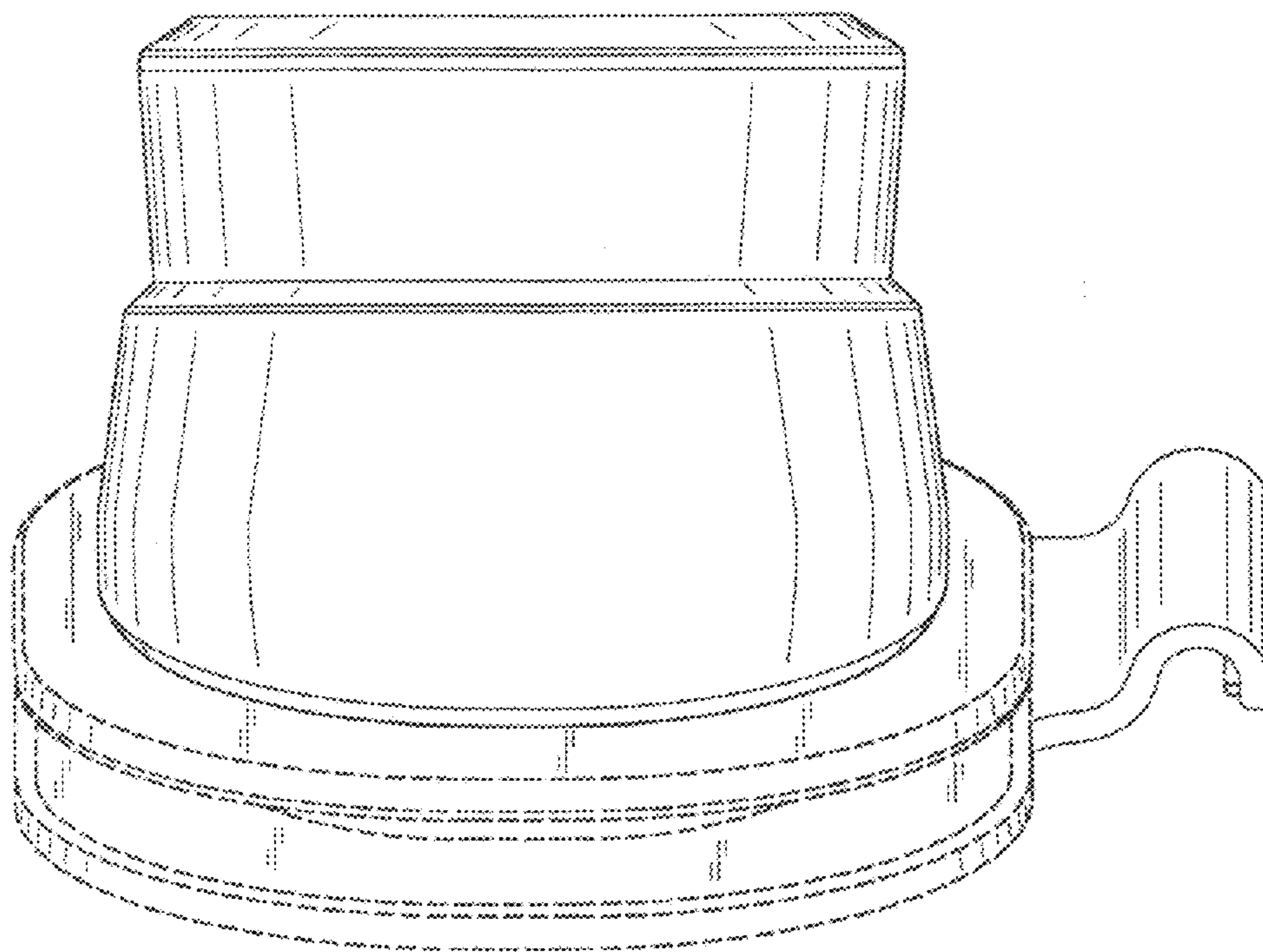


FIG. 6

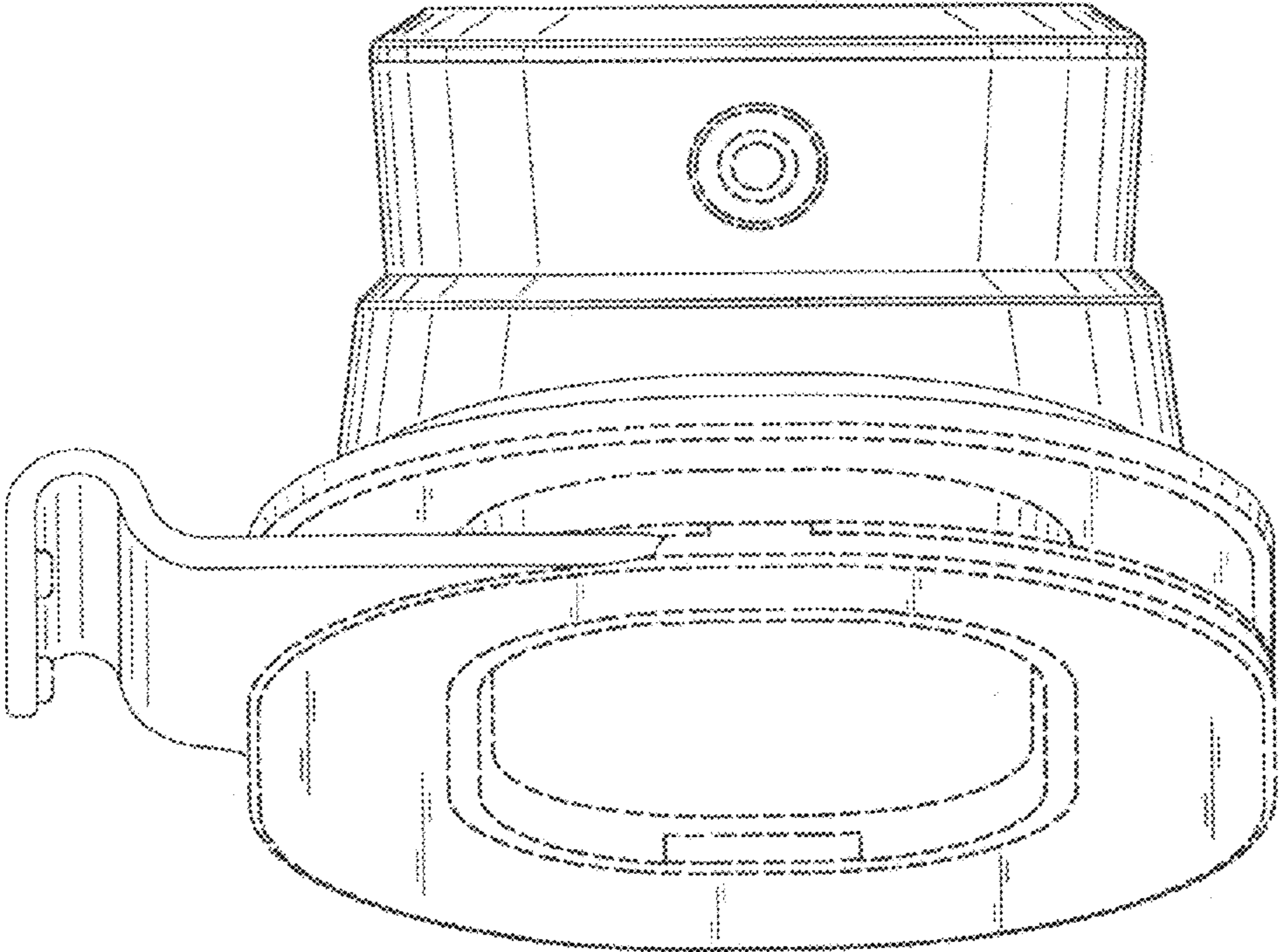


FIG. 7