



US00D766747S

(12) **United States Design Patent** (10) **Patent No.:** **US D766,747 S**  
**Repp** (45) **Date of Patent:** **\*\* Sep. 20, 2016**

- (54) **TEMPERATURE DISPLAY DEVICE**
- (71) Applicant: **Weber-Stephen Products LLC**,  
Palatine, IL (US)
- (72) Inventor: **Timothy C. Repp**, Barkhamsted, CT  
(US)
- (73) Assignee: **Weber-Stephen Products LLC**,  
Palatine, IL (US)

7,372,368	B2	5/2008	Chapman et al.	
7,703,389	B2	4/2010	McLemore et al.	
D666,929	S	9/2012	Tyler	
8,931,400	B1	1/2015	Allen	
D724,448	S	3/2015	Lee	
D725,285	S	3/2015	Wohlstadter et al.	
D725,524	S *	3/2015	Takach et al.	D10/103
2003/0202558	A1	10/2003	Chung et al.	
2006/0203881	A1 *	9/2006	Hsieh	374/151
2010/0142586	A1 *	6/2010	Juan	374/152
2010/0303972	A1	12/2010	Srivastava	

(Continued)

(\*\*) Term: **14 Years**

**OTHER PUBLICATIONS**

- (21) Appl. No.: **29/508,275**
- (22) Filed: **Nov. 4, 2014**
- (51) **LOC (10) Cl.** ..... **10-04**
- (52) **U.S. Cl.**  
USPC ..... **D10/50**
- (58) **Field of Classification Search**  
USPC ..... D10/49, 50, 60  
CPC ..... F23N 5/20; F23N 5/203; F23N 5/206;  
F23N 5/18; F23N 5/184; F23N 5/187;  
F23N 5/22; F23N 2025/12; F23N 2041/02;  
F24F 11/00; F24F 11/0012; F24F 11/0009;  
F24F 11/001; F24F 2011/0057; F24F  
2011/0073; F24F 2011/0091  
See application file for complete search history.

Brookstone, Grill Alert™. Talking Remote Meat Thermometer Instructions, Mar. 18, 2005.

(Continued)

*Primary Examiner* — Antoine D Davis  
(74) *Attorney, Agent, or Firm* — Niro Law, Ltd.

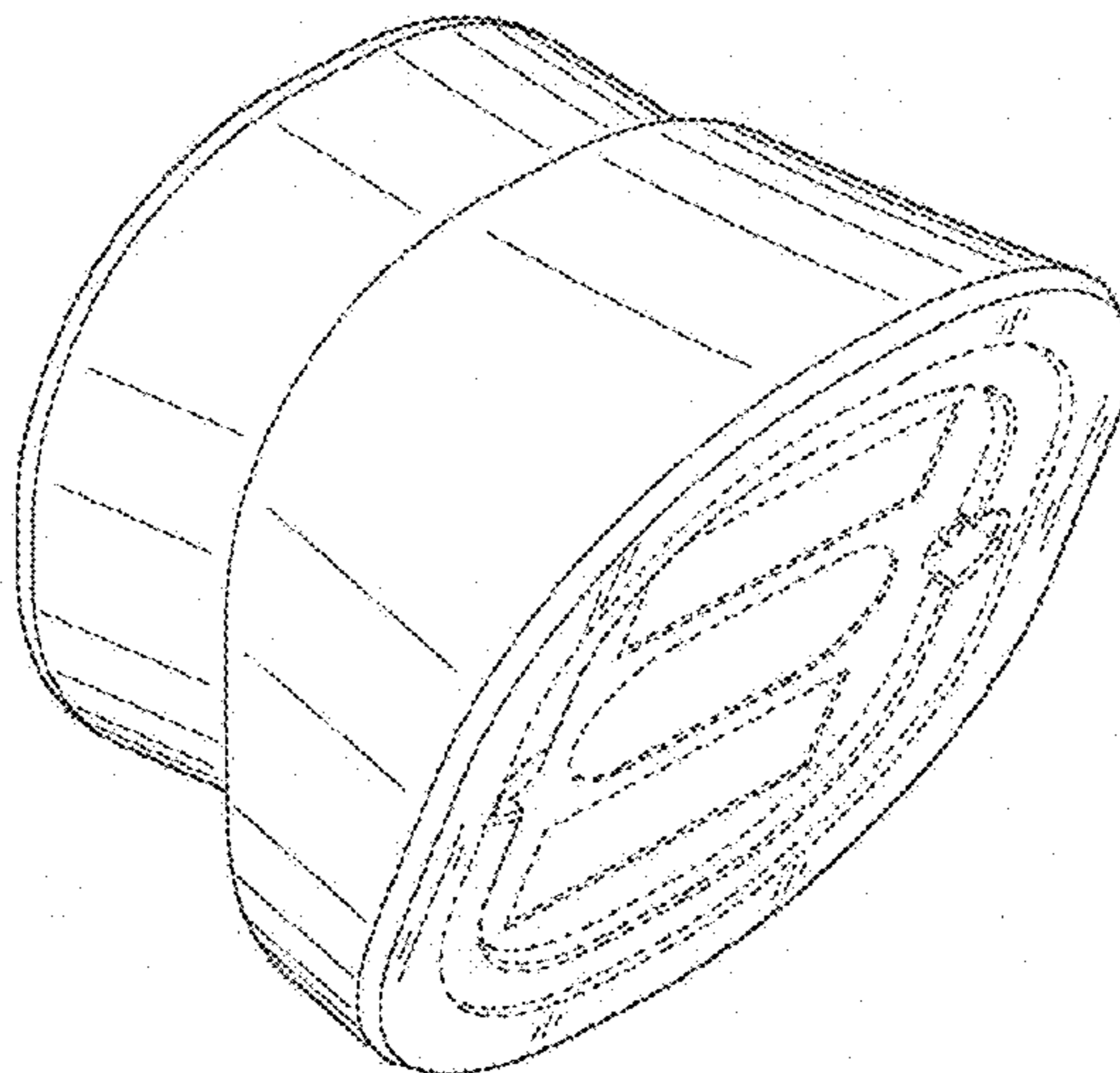
(57) **CLAIM**  
The ornamental design for a temperature display device, as shown and described.

**DESCRIPTION**

FIG. 1 is a rear right perspective view of a first embodiment of a temperature display device showing the present invention;  
FIG. 2 is a bottom plan view thereof;  
FIG. 3 is a top plan view thereof;  
FIG. 4 is a right elevational view thereof;  
FIG. 5 is a left elevational view thereof;  
FIG. 6 is a rear elevational view thereof; and,  
FIG. 7 is a front elevational view thereof.  
The broken lines in the figures show structure or boundaries that form no part of the claimed design, but rather show the environment in which the design is associated, or show portions of the article in which the design is embodied or applied that are not considered part of the claimed design.

- (56) **References Cited**  
U.S. PATENT DOCUMENTS
- |           |    |         |                    |
|-----------|----|---------|--------------------|
| 5,746,114 | A  | 5/1998  | Harris             |
| 6,046,674 | A  | 4/2000  | Irwin et al.       |
| 6,080,972 | A  | 6/2000  | May                |
| 6,539,842 | B1 | 4/2003  | Chapman et al.     |
| 6,712,505 | B2 | 3/2004  | Chapman et al.     |
| 6,811,308 | B2 | 11/2004 | Chapman et al.     |
| 6,850,861 | B1 | 2/2005  | Faiola et al.      |
| 7,066,644 | B2 | 6/2006  | Padgett            |
| 7,128,466 | B2 | 10/2006 | Chang et al.       |
| 7,201,099 | B2 | 4/2007  | Harris, Jr. et al. |
| D565,438  | S  | 4/2008  | Serre              |

**1 Claim, 7 Drawing Sheets**



(56)

**References Cited**

U.S. PATENT DOCUMENTS

2012/0130547 A1\* 5/2012 Fadell et al. .... 700/276  
2014/0091153 A1\* 4/2014 Stefanski et al. .... 236/1 C

OTHER PUBLICATIONS

Weber Style™ Digital Thermometer( available prior to May 28,  
2009) [Http://stor.weber.com/items/WeberStyle/Detail.aspx?pid=1131.](http://stor.weber.com/items/WeberStyle/Detail.aspx?pid=1131)

\* cited by examiner

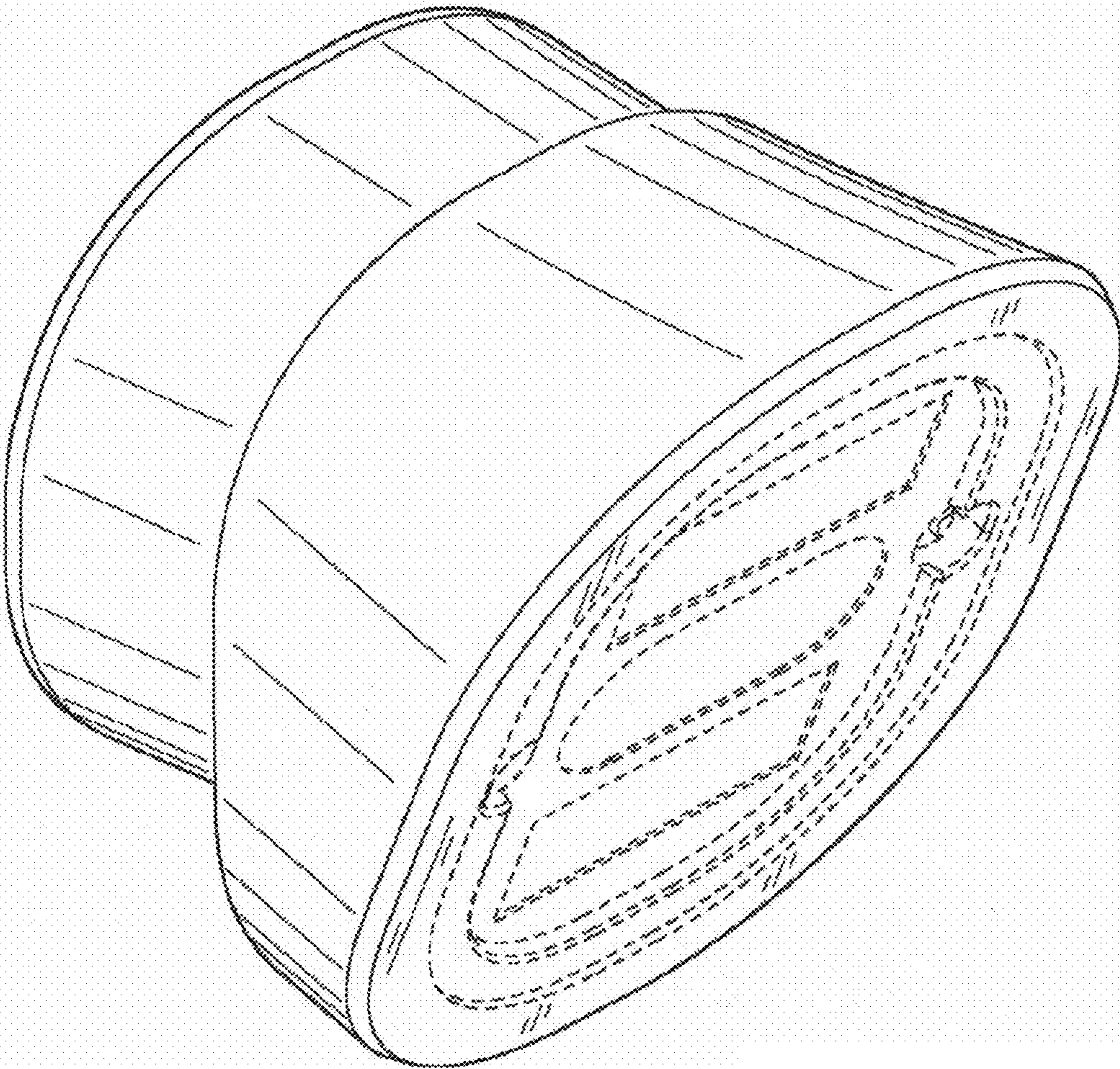


FIG. 1



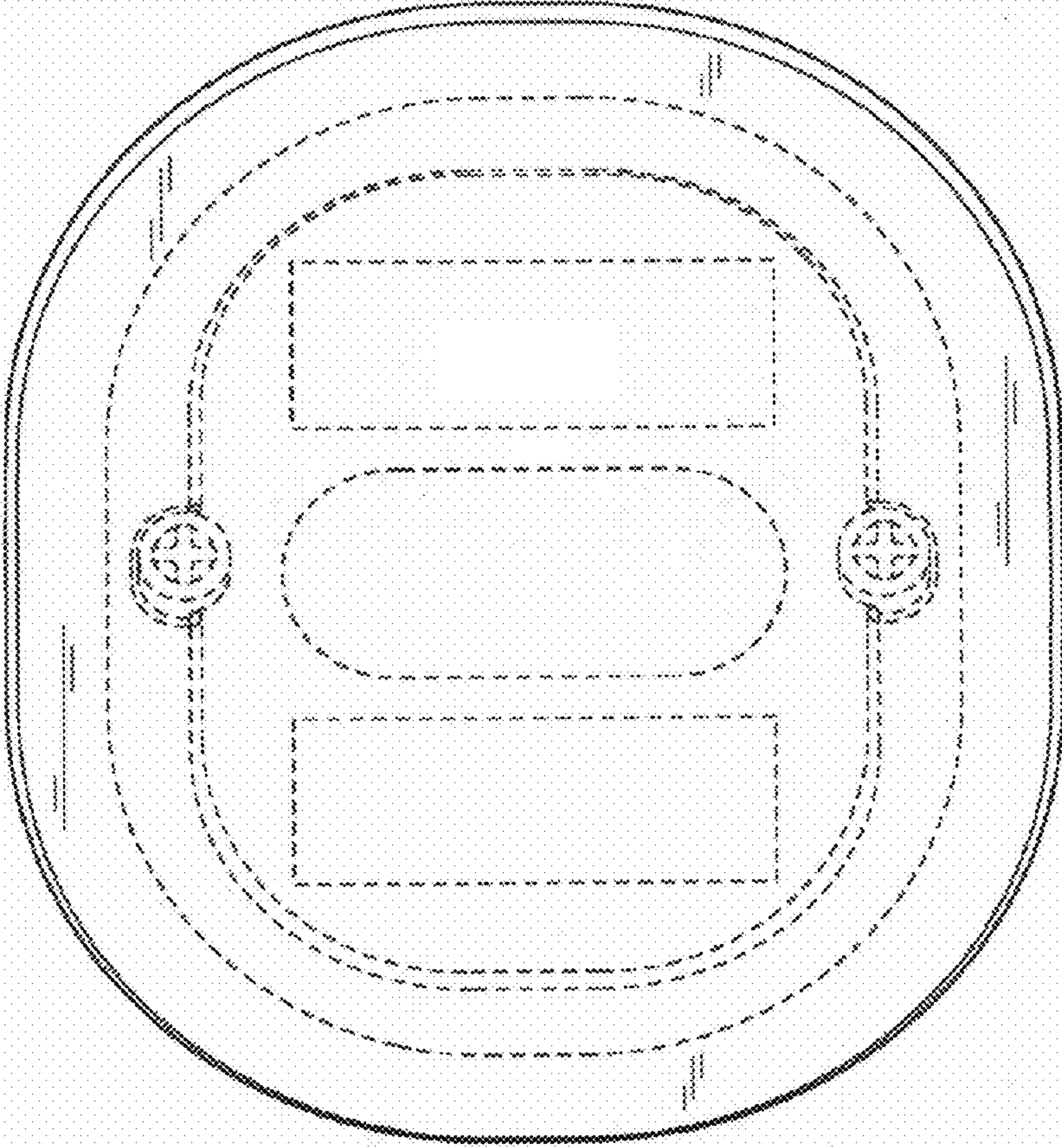


FIG. 2

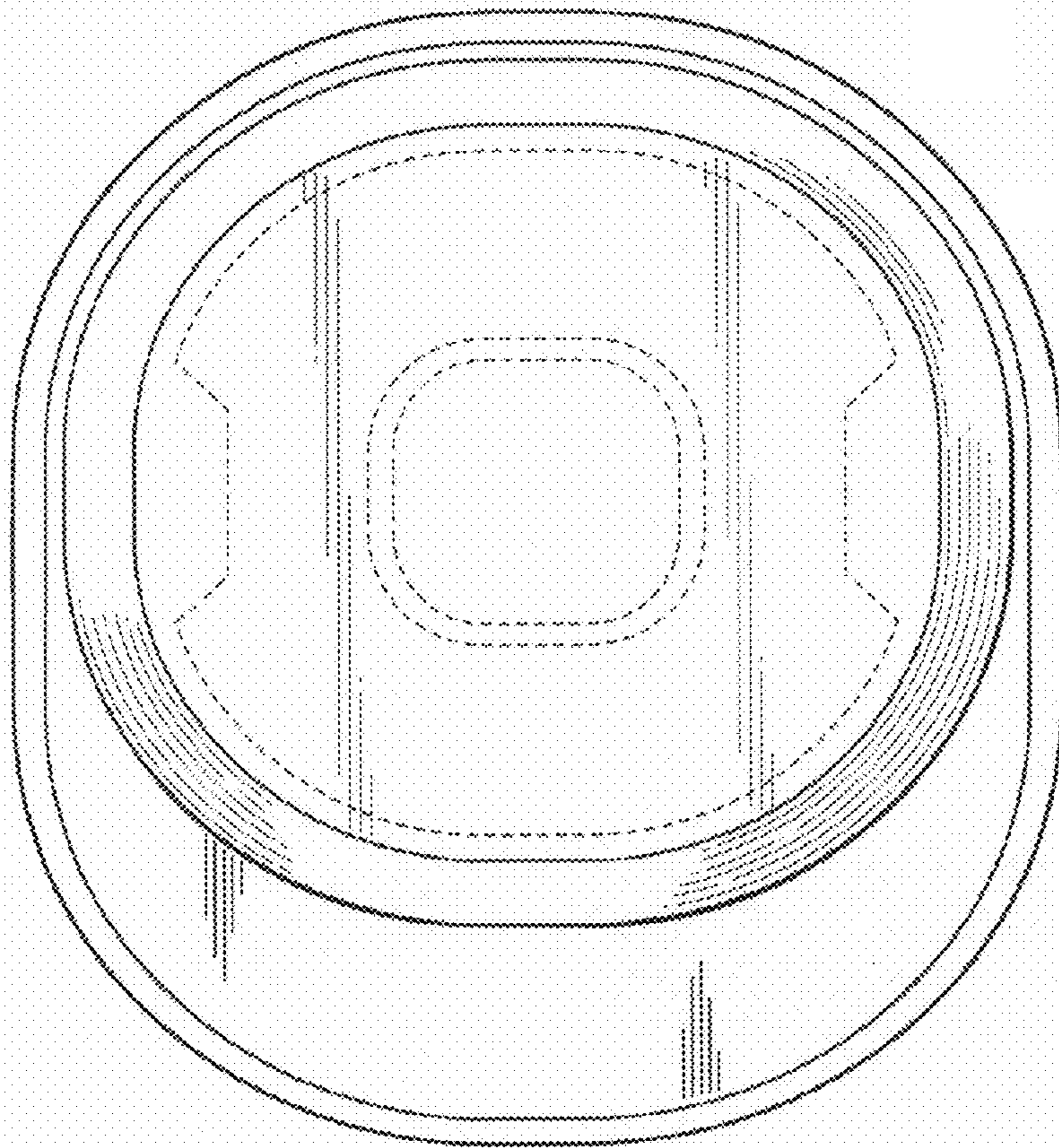


FIG. 3

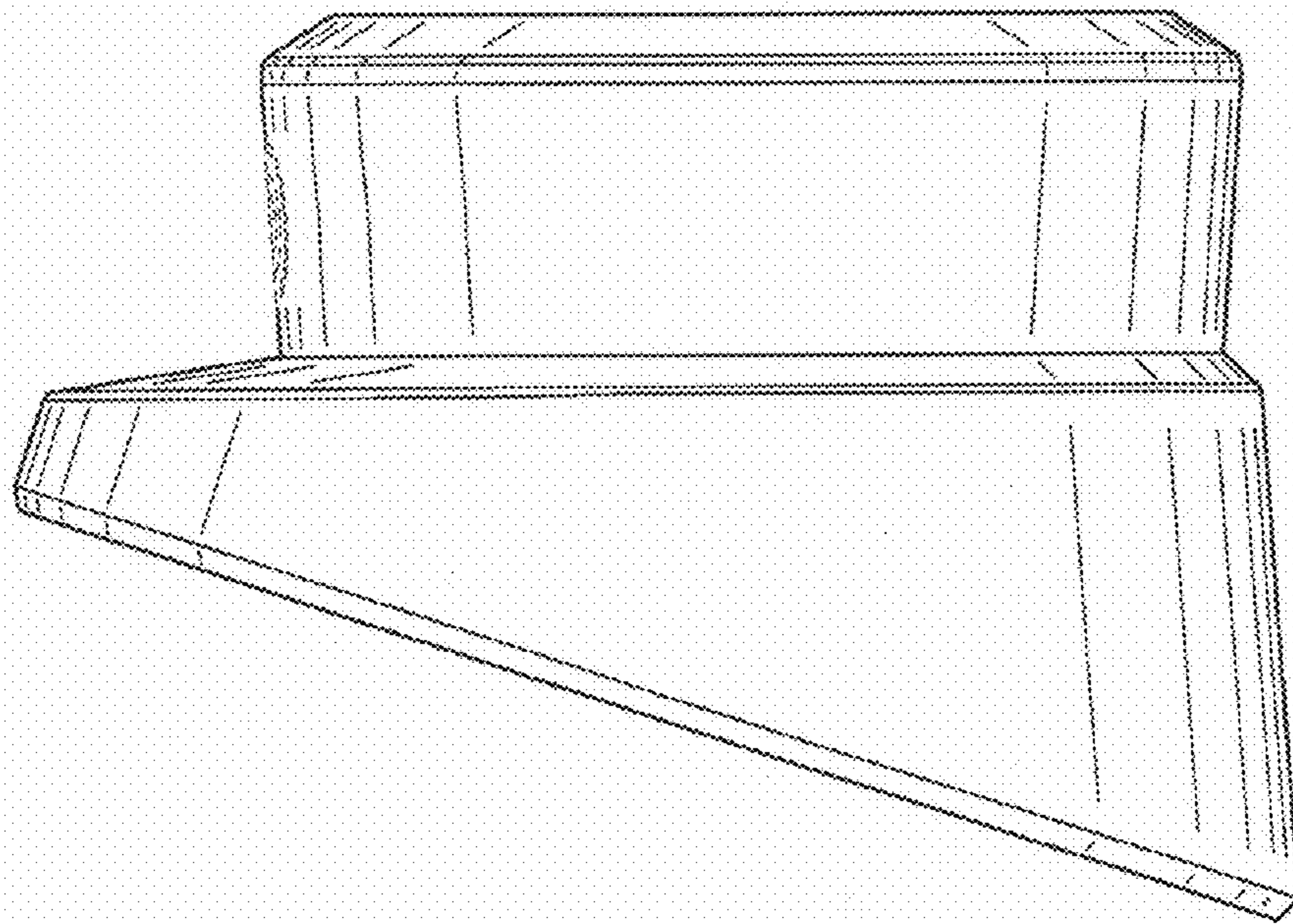


FIG. 4



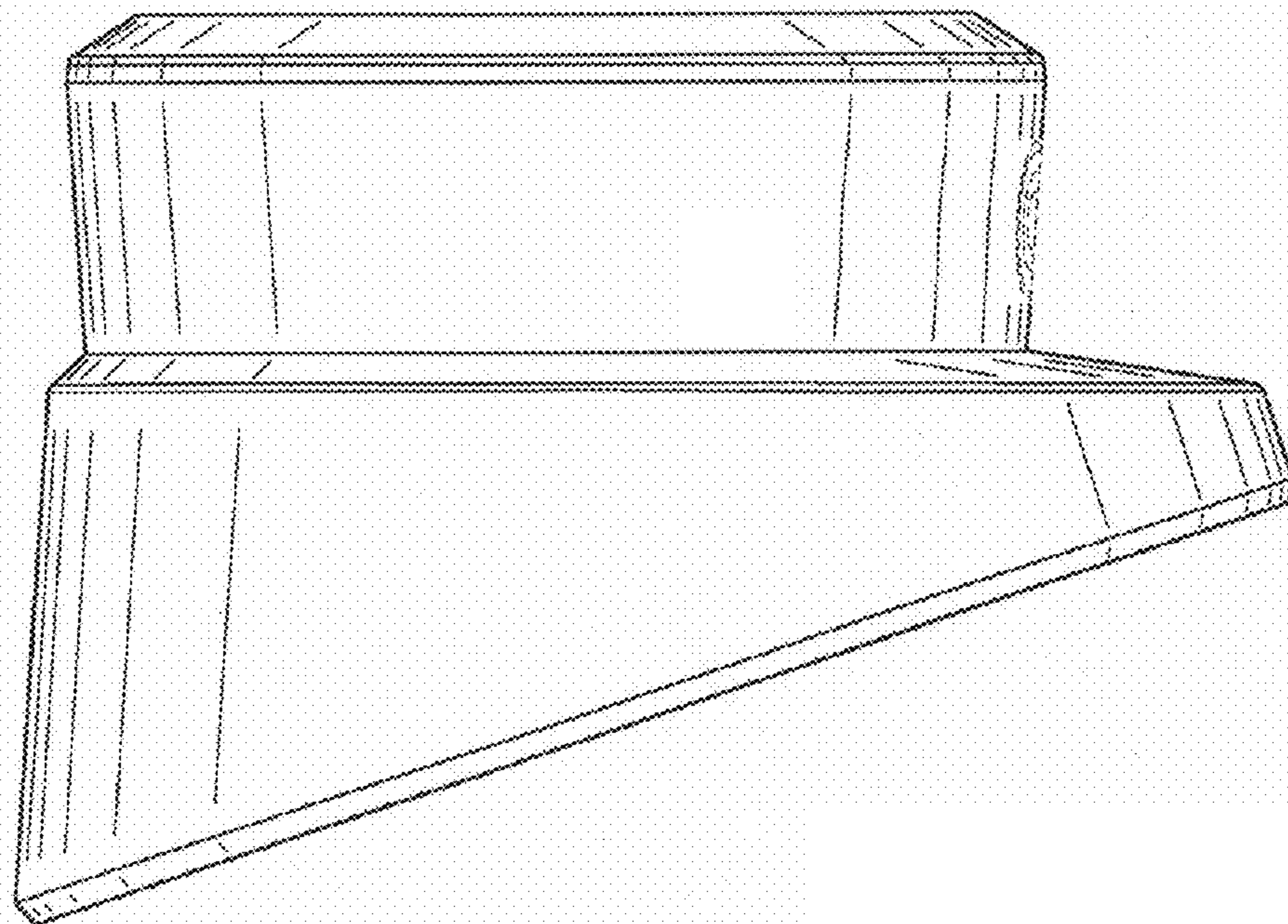


FIG. 5

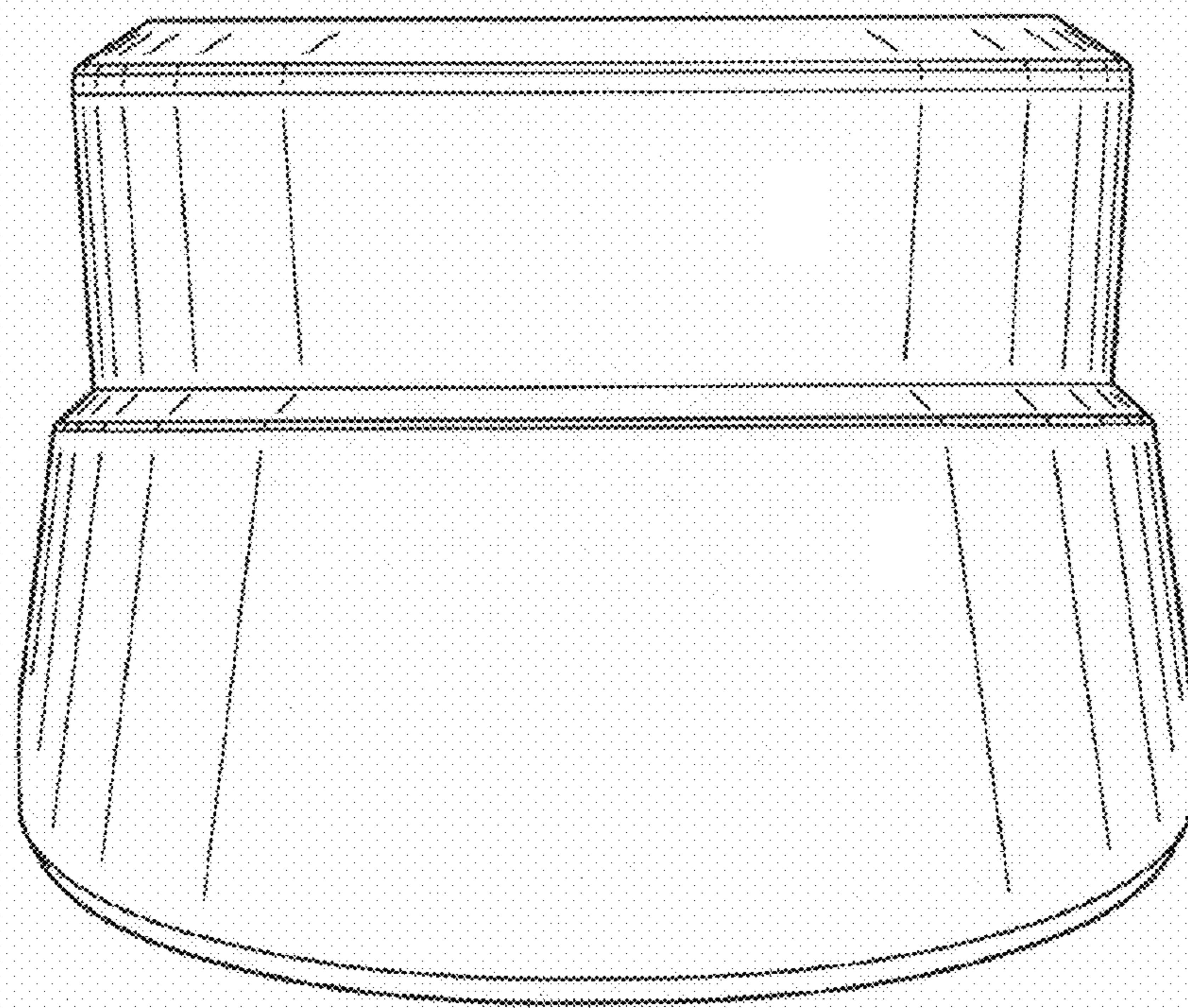


FIG. 6



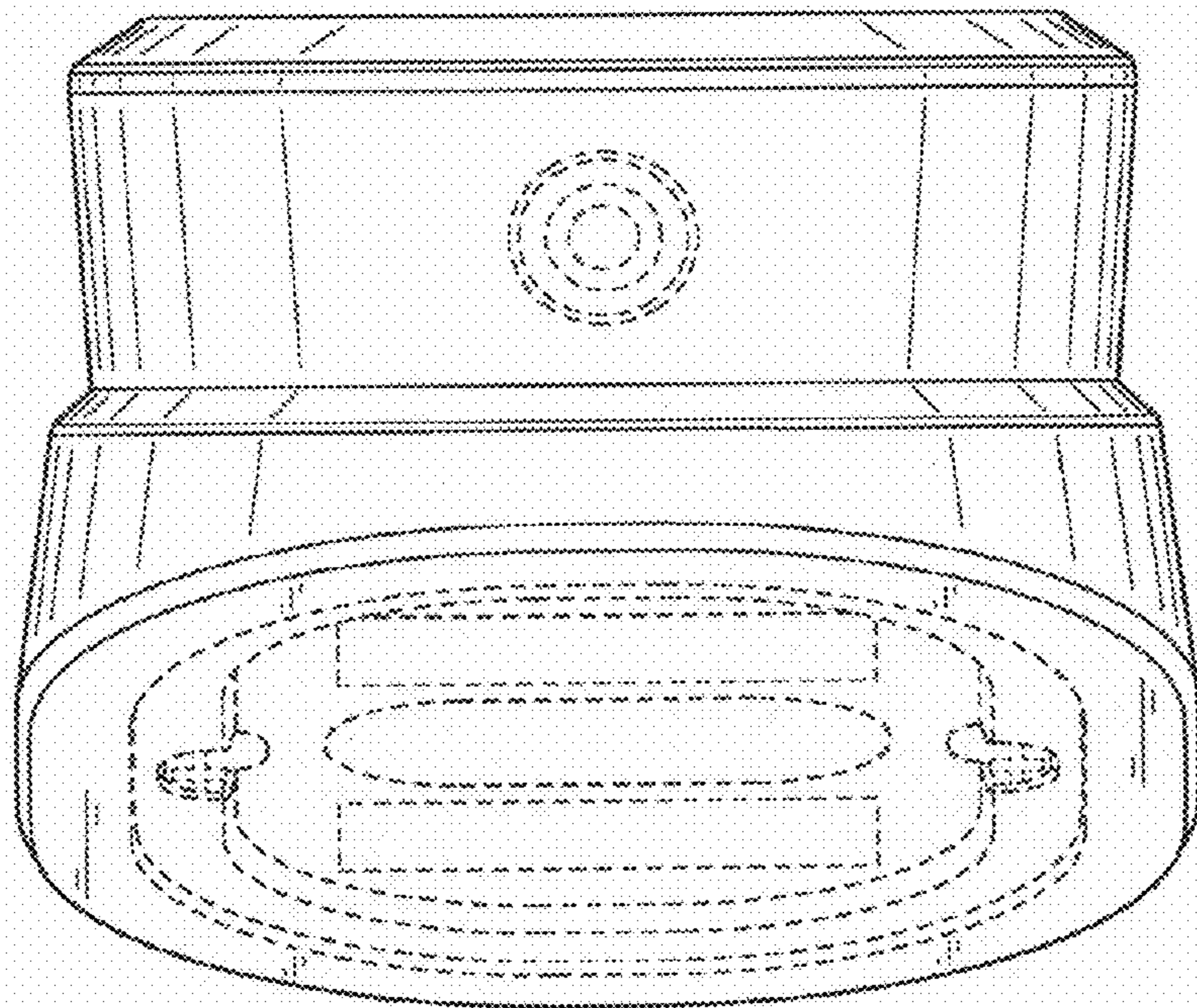


FIG. 7