



US00D766745S

(12) **United States Design Patent** (10) **Patent No.:** **US D766,745 S**  
**Abdourahim** (45) **Date of Patent:** **\*\* Sep. 20, 2016**

(54) **WATCHCASE**

(56) **References Cited**

(71) Applicant: **HARRY WINSTON SA,**  
Plan-les-Ouates (CH)

(72) Inventor: **Delphine Abdourahim,** New York, NY  
(US)

(73) Assignee: **HARRY WINSTON SA,**  
Plan-les-Ouates (CH)

(\*\*) Term: **15 Years**

(21) Appl. No.: **29/538,384**

(22) Filed: **Sep. 3, 2015**

U.S. PATENT DOCUMENTS

D182,342 S *	3/1958	Schreiber .....	D10/31
D250,751 S *	1/1979	Perrin .....	D10/39
4,444,513 A *	4/1984	Proellochs .....	G04B 37/0427 368/223
D339,534 S *	9/1993	Frappe .....	D10/125
D339,752 S *	9/1993	Frappe .....	D10/125
D397,945 S *	9/1998	Gruosi .....	D10/30
D398,860 S *	9/1998	Paredes .....	D10/30
D433,341 S *	11/2000	Versace .....	D10/30
D434,335 S *	11/2000	Amstutz .....	D10/32
D443,526 S *	6/2001	Wunderman .....	D10/30
D444,398 S *	7/2001	Modolo .....	D10/39
D444,716 S *	7/2001	Bodino .....	D10/32

\* cited by examiner

(30) **Foreign Application Priority Data**

Mar. 3, 2015 (WO) ..... DM/085760

(51) **LOC (10) Cl.** ..... **10-02**

(52) **U.S. Cl.**  
USPC ..... **D10/30**

(58) **Field of Classification Search**

USPC ..... D10/30-39, 1-29, 122-132; 368/10,  
368/15-18, 21, 28, 37, 80, 223, 228, 232,  
368/276, 277, 281, 282, 285, 294, 295, 308,  
368/319

CPC .... G04B 17/00; G04B 17/02; G04B 17/005;  
G04B 17/285; G04B 37/00; G04B 37/0008;  
G04B 37/0058; G04B 45/00; G04B 45/038;  
G04B 45/0069; G04B 45/0076; G04B 45/02;  
G04B 29/00

See application file for complete search history.

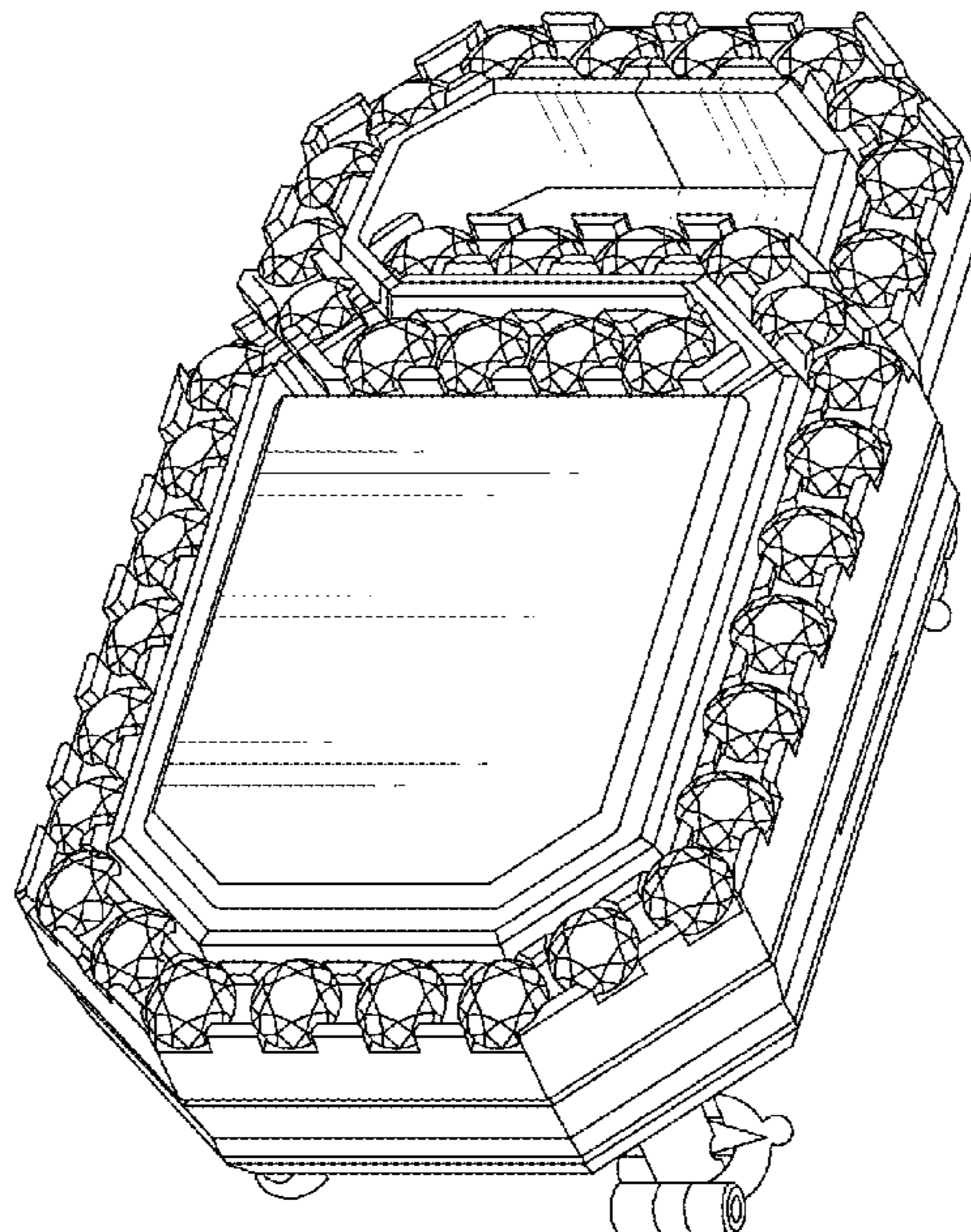
*Primary Examiner* — Susan Bennett Hattan  
*Assistant Examiner* — Jennifer Wright  
 (74) *Attorney, Agent, or Firm* — Donald J. Ranft; Kristen A. Mogavero; Collen IP

(57) **CLAIM**  
 The ornamental design for a watchcase, as shown.

**DESCRIPTION**

FIG. 1 is a front right perspective view of a watchcase showing my new design;  
 FIG. 2 is a front view thereof;  
 FIG. 3 is a rear left perspective view thereof;  
 FIG. 4 is a rear view thereof;  
 FIG. 5 is a right side view thereof;  
 FIG. 6 is a left side view thereof;  
 FIG. 7 is a bottom view thereof; and,  
 FIG. 8 is a top view thereof.

**1 Claim, 8 Drawing Sheets**



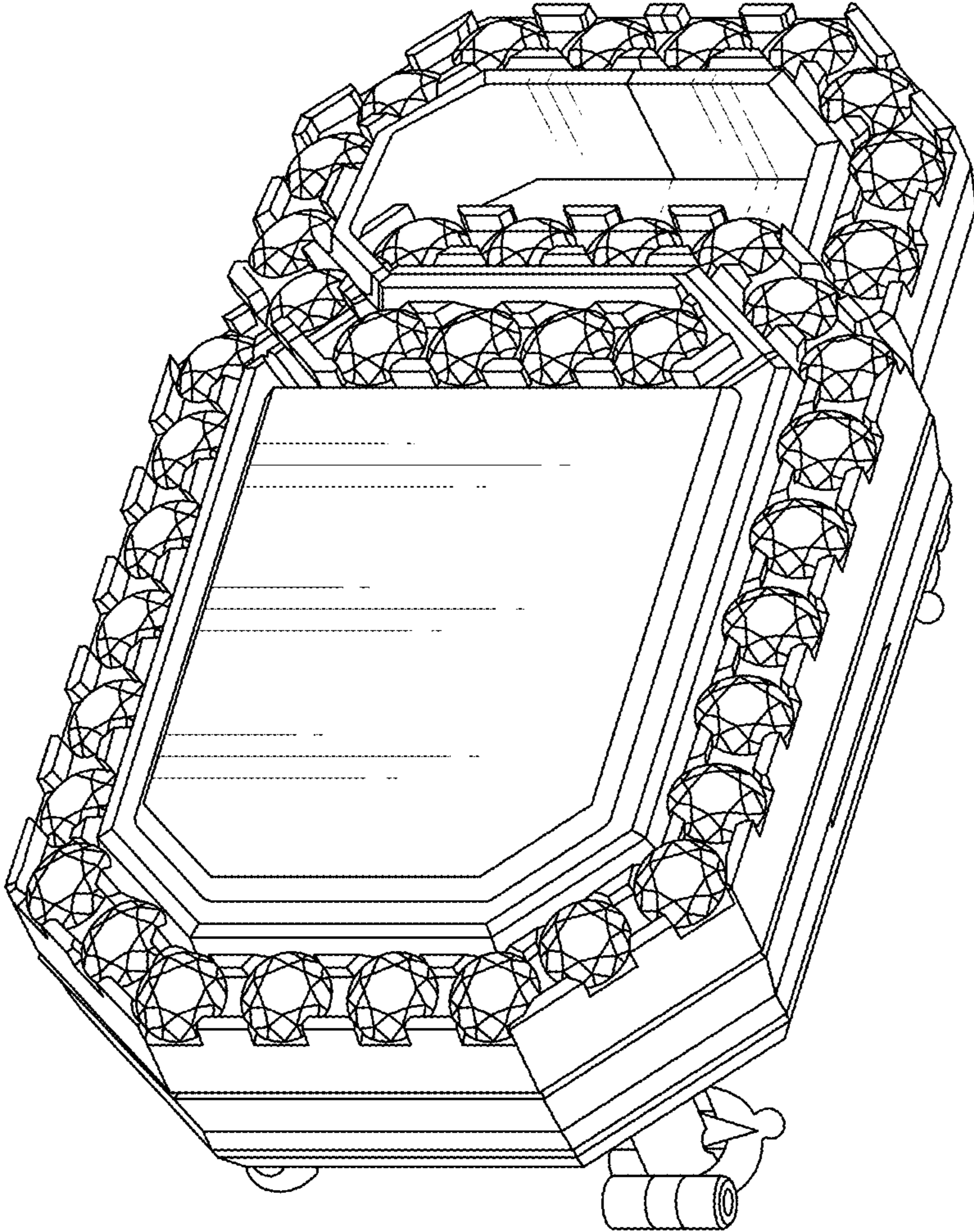


FIG. 1

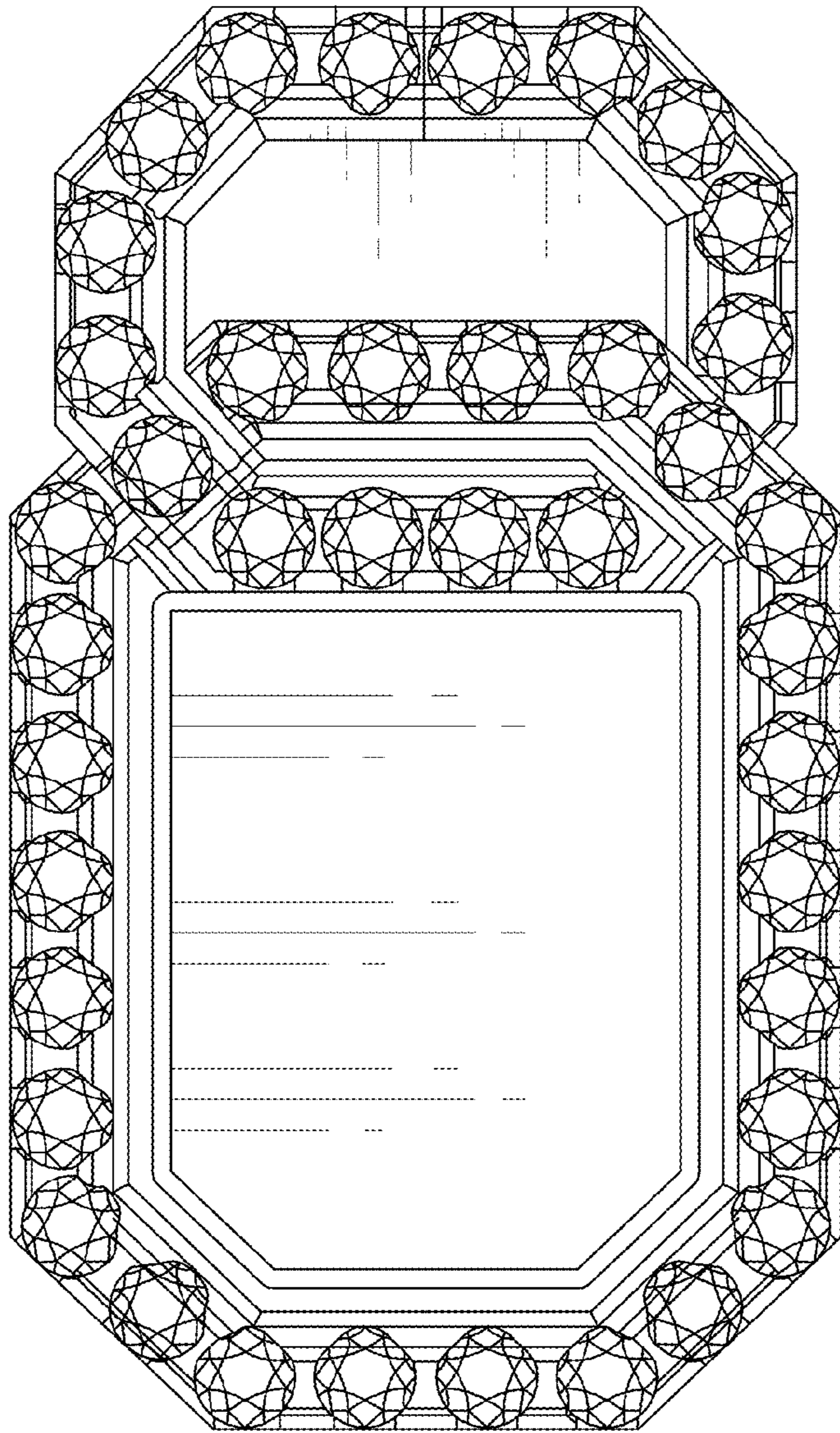


FIG. 2

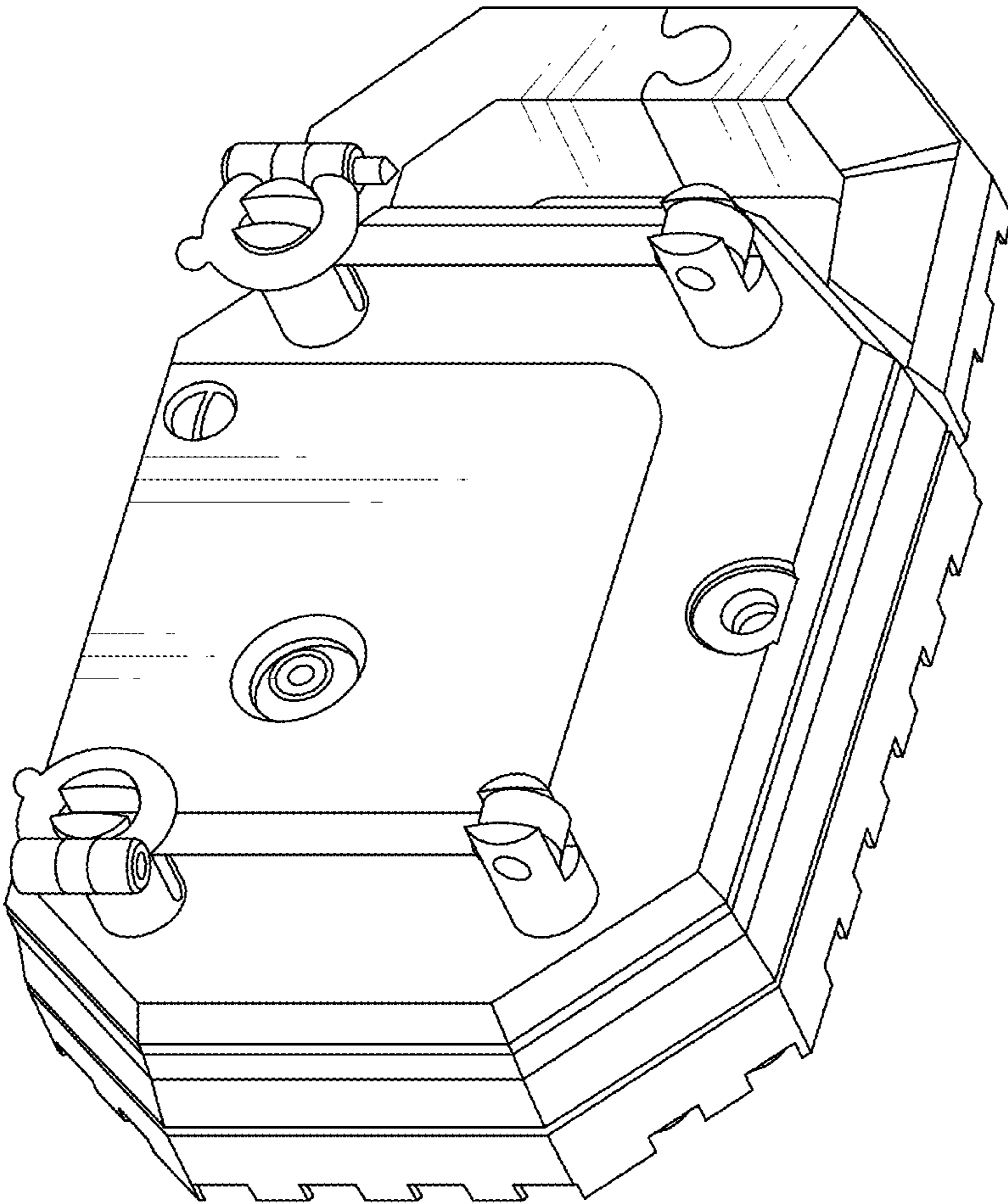


FIG. 3

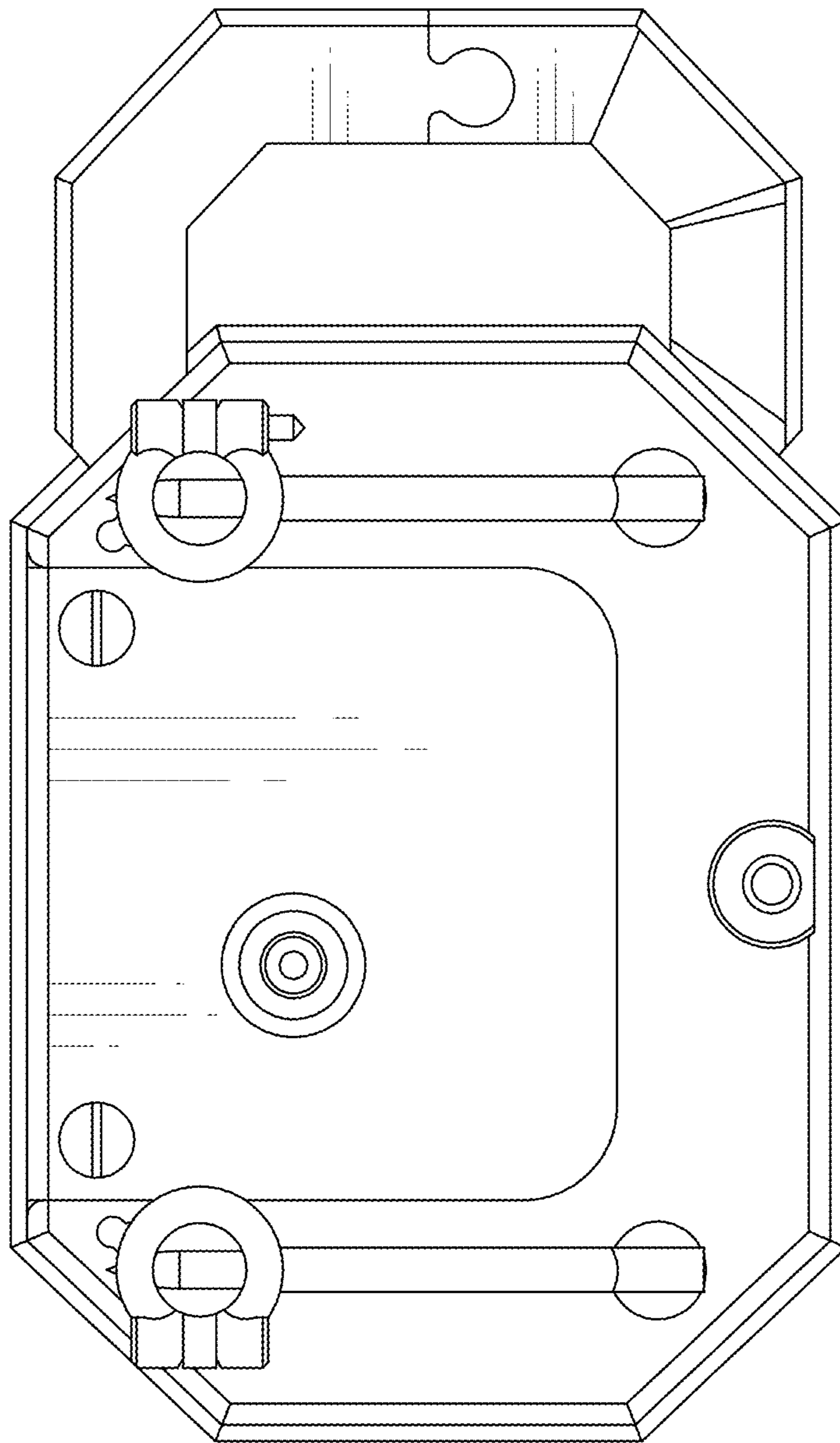


FIG. 4

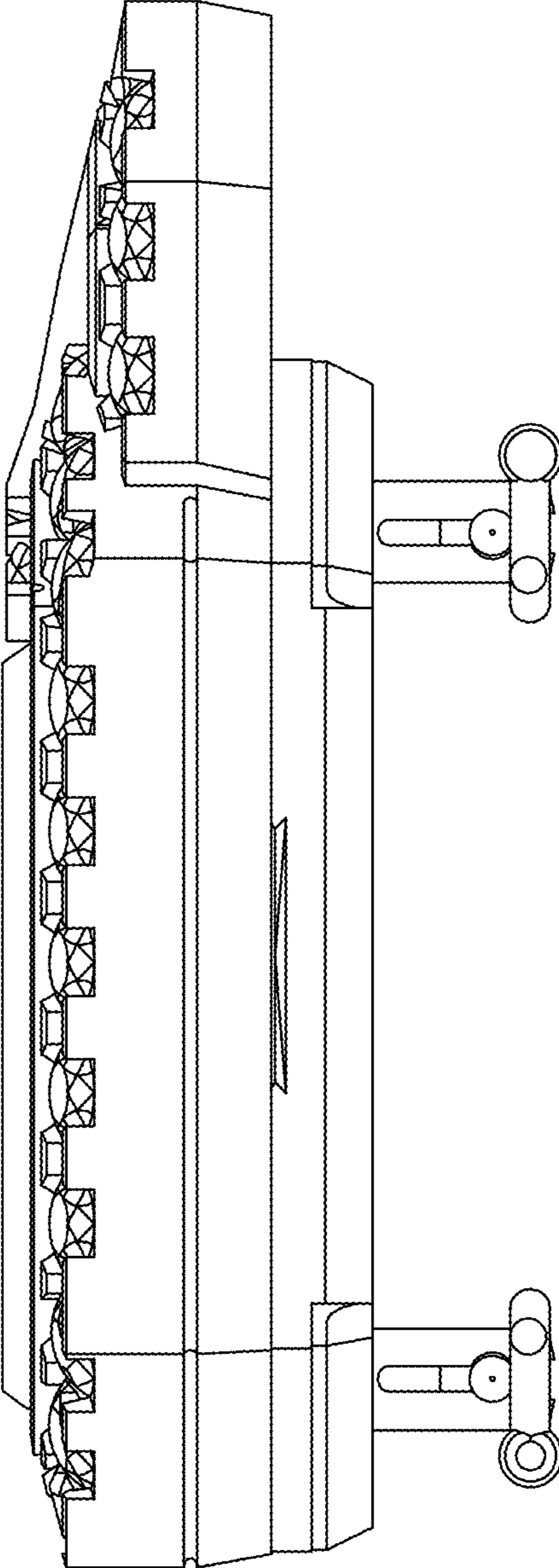


FIG. 5

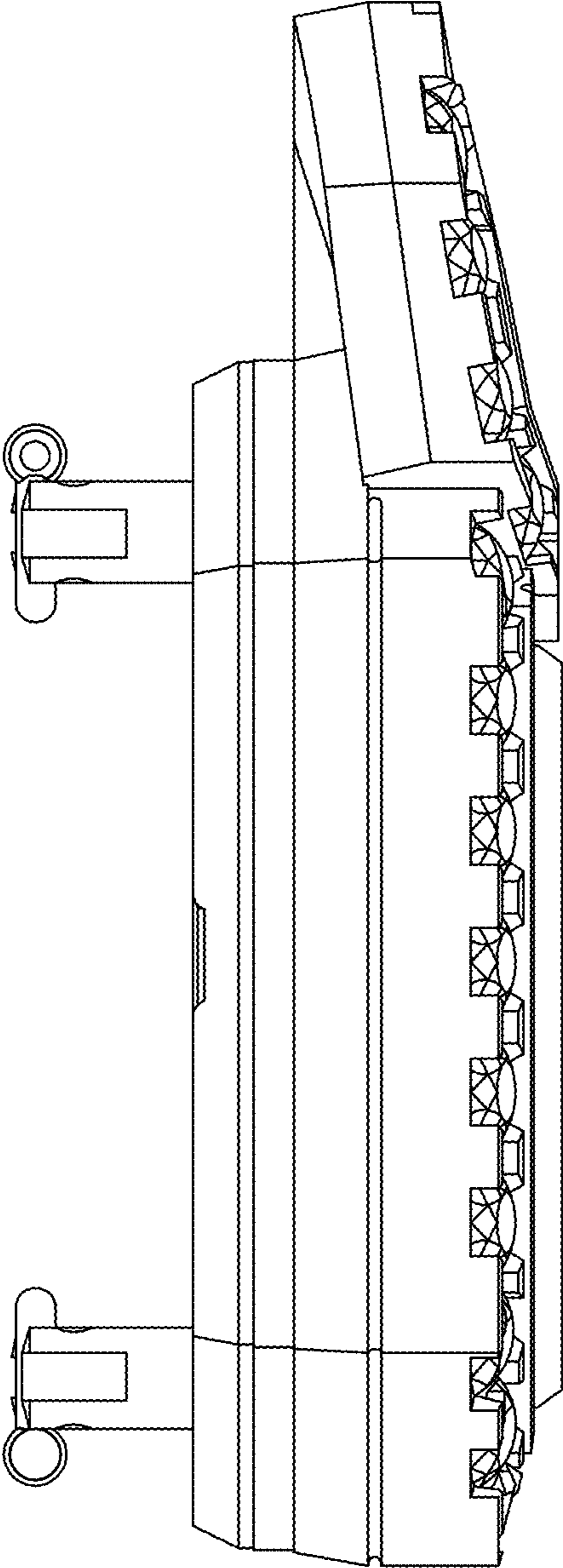


FIG. 6

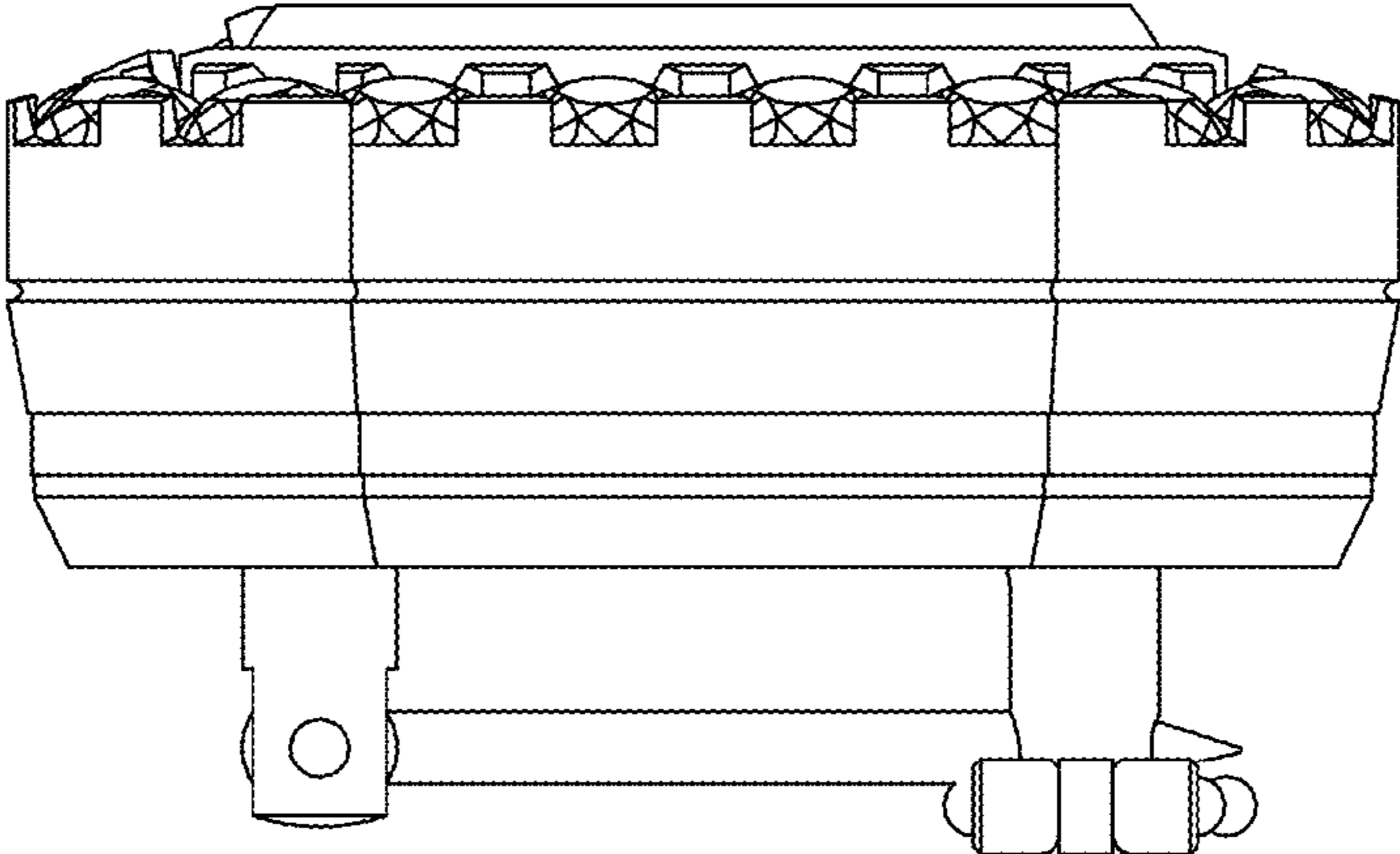
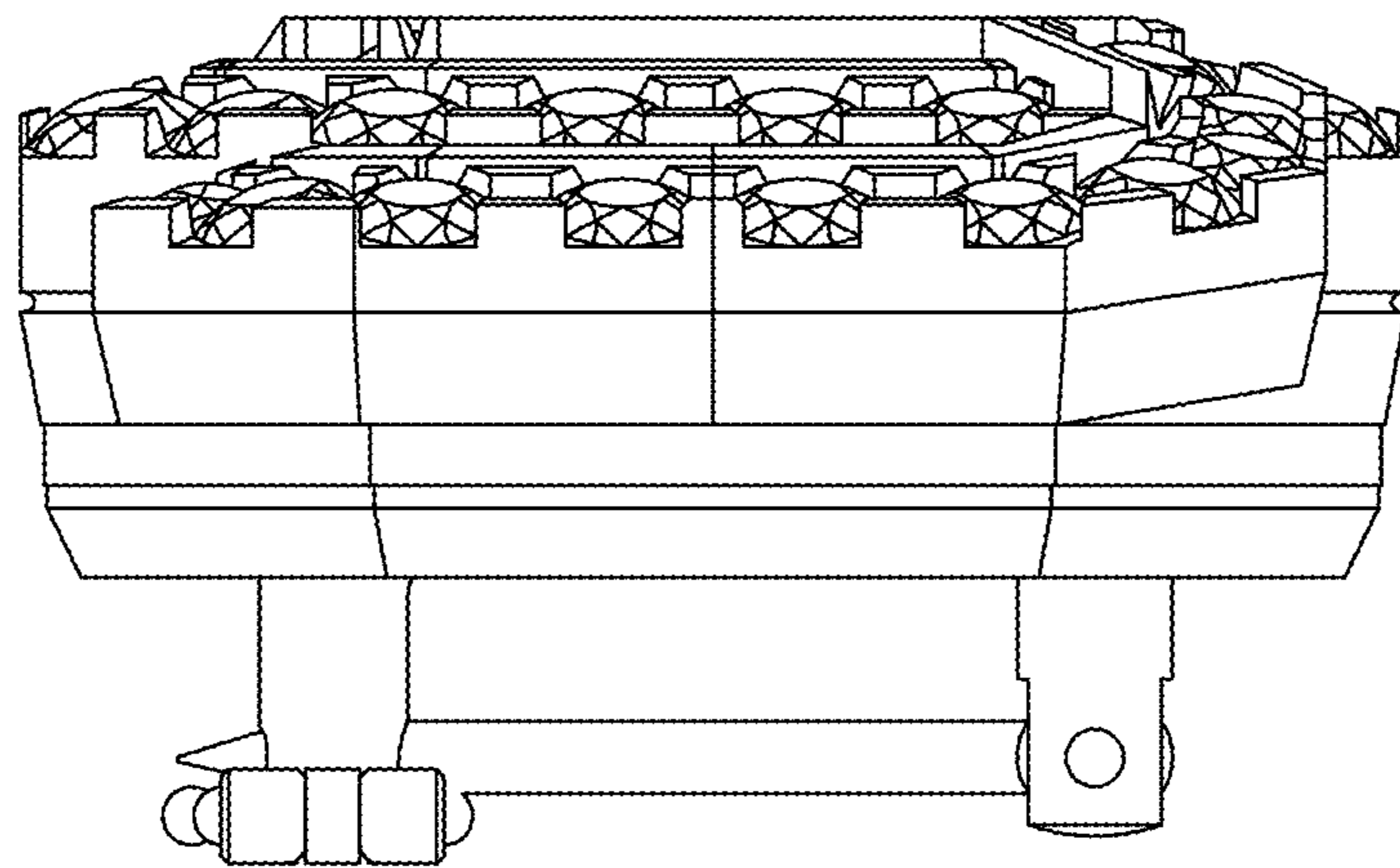


FIG. 7





*FIG. 8*