

US00D766742S

(12) **United States Design Patent** (10) **Patent No.:** **US D766,742 S**  
**Arellano et al.** (45) **Date of Patent:** **\*\* Sep. 20, 2016**

(54) **WATCH** 4,926,401 A \* 5/1990 Vuilleumier ..... G04B 37/225  
 368/223  
 (71) Applicant: **SWATCH LTD**, Biel/Bienne (CH) D361,278 S \* 8/1995 Riley ..... D10/30  
 D441,304 S \* 5/2001 Dunston ..... D10/31  
 6,655,831 B1 \* 12/2003 Ruffieux ..... G04B 37/116  
 368/281  
 (72) Inventors: **Alphonse Arellano**, Lausanne (CH);  
**Raphaël Waecker**, Sonvilier (CH);  
**Min Kim**, Basel (CH) D609,585 S \* 2/2010 d'Origny ..... D10/38  
 D628,498 S \* 12/2010 Arellano ..... D10/38  
 D650,706 S \* 12/2011 Zanella ..... D10/32  
 D705,673 S \* 5/2014 Arellano ..... D10/38  
 D743,278 S \* 11/2015 Solomon ..... D10/38  
 D745,515 S \* 12/2015 Solomon ..... D14/344  
 D746,707 S \* 1/2016 Akana ..... D10/39  
 D751,550 S \* 3/2016 Solomon ..... D10/38  
 (73) Assignee: **SWATCH LTD**, Biel/Bienne (CH) 2010/0331145 A1 \* 12/2010 Lakovic ..... G04F 10/00  
 482/8  
 (\*\*) Term: **15 Years** 2011/0004651 A1 \* 1/2011 Tuli ..... G04G 21/08  
 709/203  
 (21) Appl. No.: **29/537,205**  
 (22) Filed: **Aug. 24, 2015**

(30) **Foreign Application Priority Data**

Feb. 23, 2015 (WO) ..... DM/086421

(51) **LOC (10) Cl.** ..... **10-02**

(52) **U.S. Cl.**  
USPC ..... **D10/30; D10/38**

(58) **Field of Classification Search**  
USPC ..... D10/30-39, 1-29, 122-132; 368/10,  
368/15-18, 21, 28, 37, 80, 223, 228, 232,  
368/276, 277, 281, 282, 285, 294, 295, 308,  
368/319

CPC .... G04B 17/00; G04B 17/02; G04B 17/005;  
G04B 17/285; G04B 37/00; G04B 37/0008;  
G04B 37/0058; G04B 45/00; G04B 45/038;  
G04B 45/0069; G04B 45/0076; G04B 45/02;  
G04B 29/00

See application file for complete search history.

(56) **References Cited**

**U.S. PATENT DOCUMENTS**

3,800,525 A \* 4/1974 Bergey ..... G04B 27/00  
368/239  
3,935,701 A \* 2/1976 Yamauchi ..... G04C 3/002  
200/61.52

\* cited by examiner

*Primary Examiner* — Susan Bennett Hattan

*Assistant Examiner* — Jennifer Wright

(74) *Attorney, Agent, or Firm* — Donald J. Ranft; Kristen A. Mogavero; Collen IP

(57) **CLAIM**

The ornamental design for a watch, as shown.

**DESCRIPTION**

FIG. 1 is a front right perspective view of a watch showing our new design;

FIG. 2 is a rear left perspective view thereof;

FIG. 3 is a front view thereof;

FIG. 4 is a rear view thereof;

FIG. 5 is a left side view thereof;

FIG. 6 is a right side view thereof;

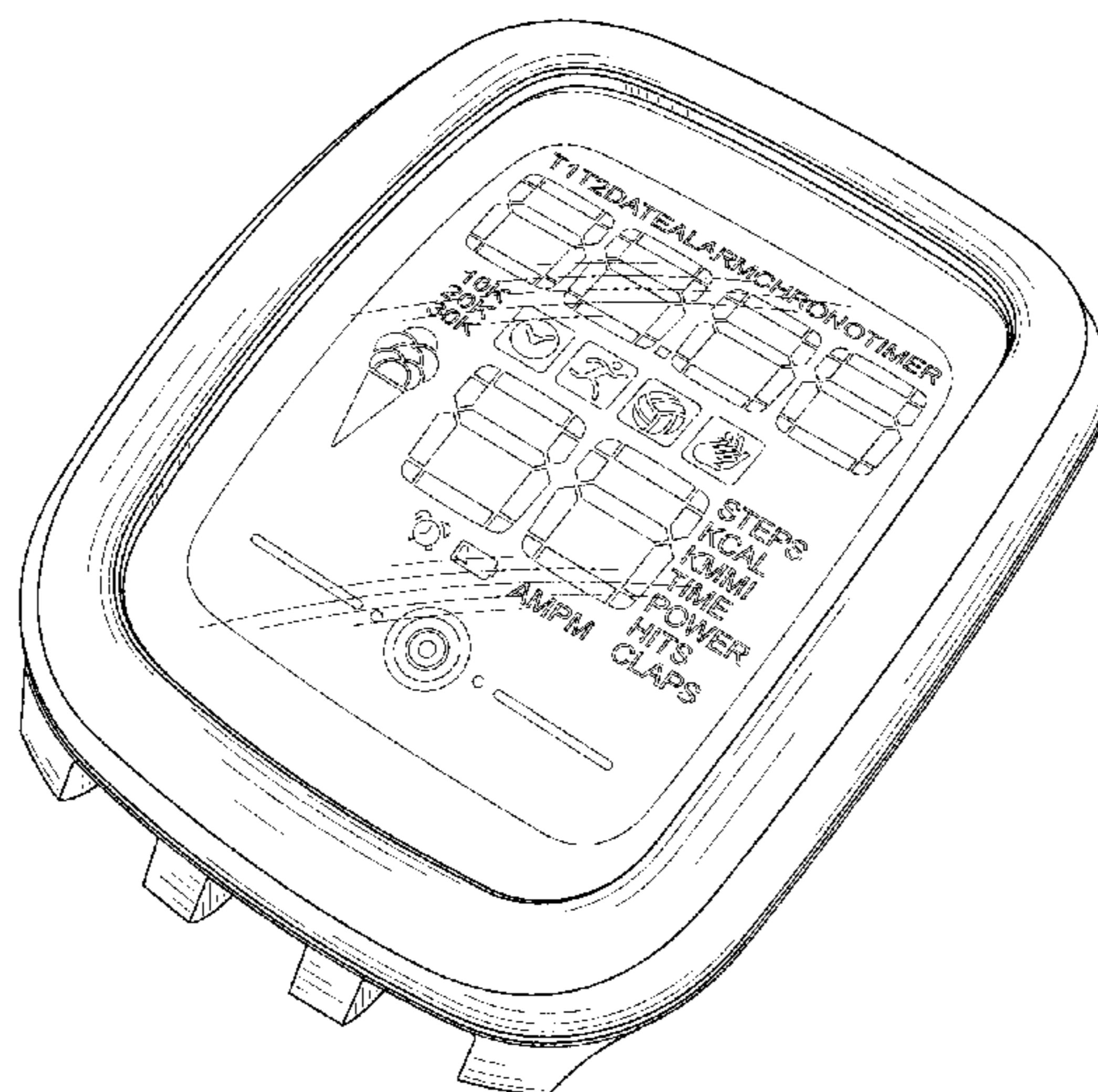
FIG. 7 is a top view thereof;

FIG. 8 is a bottom view thereof;

FIG. 9 is a front left perspective view thereof; and,

FIG. 10 is a bottom right perspective view thereof.

**1 Claim, 8 Drawing Sheets**



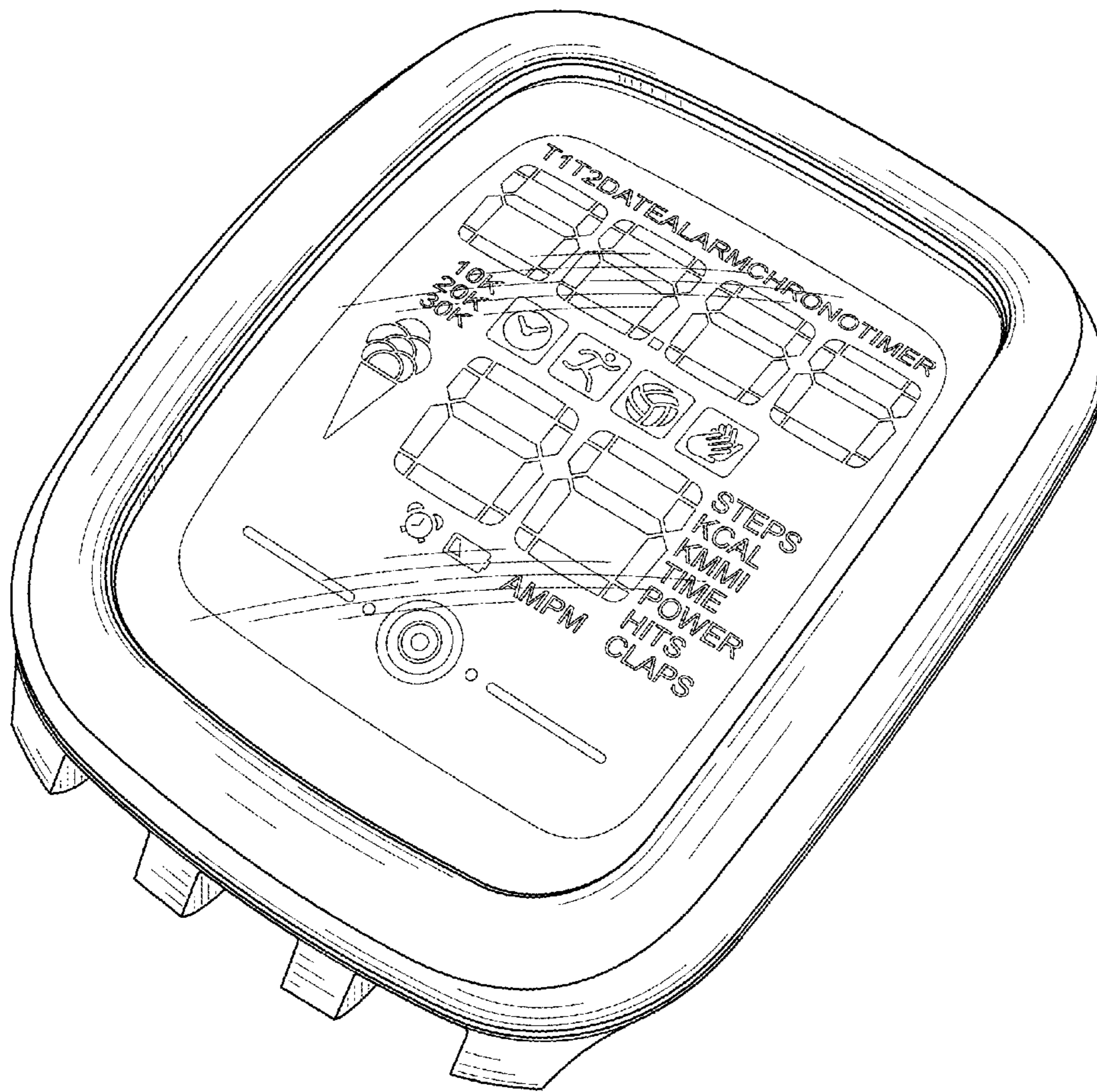


FIG. 1

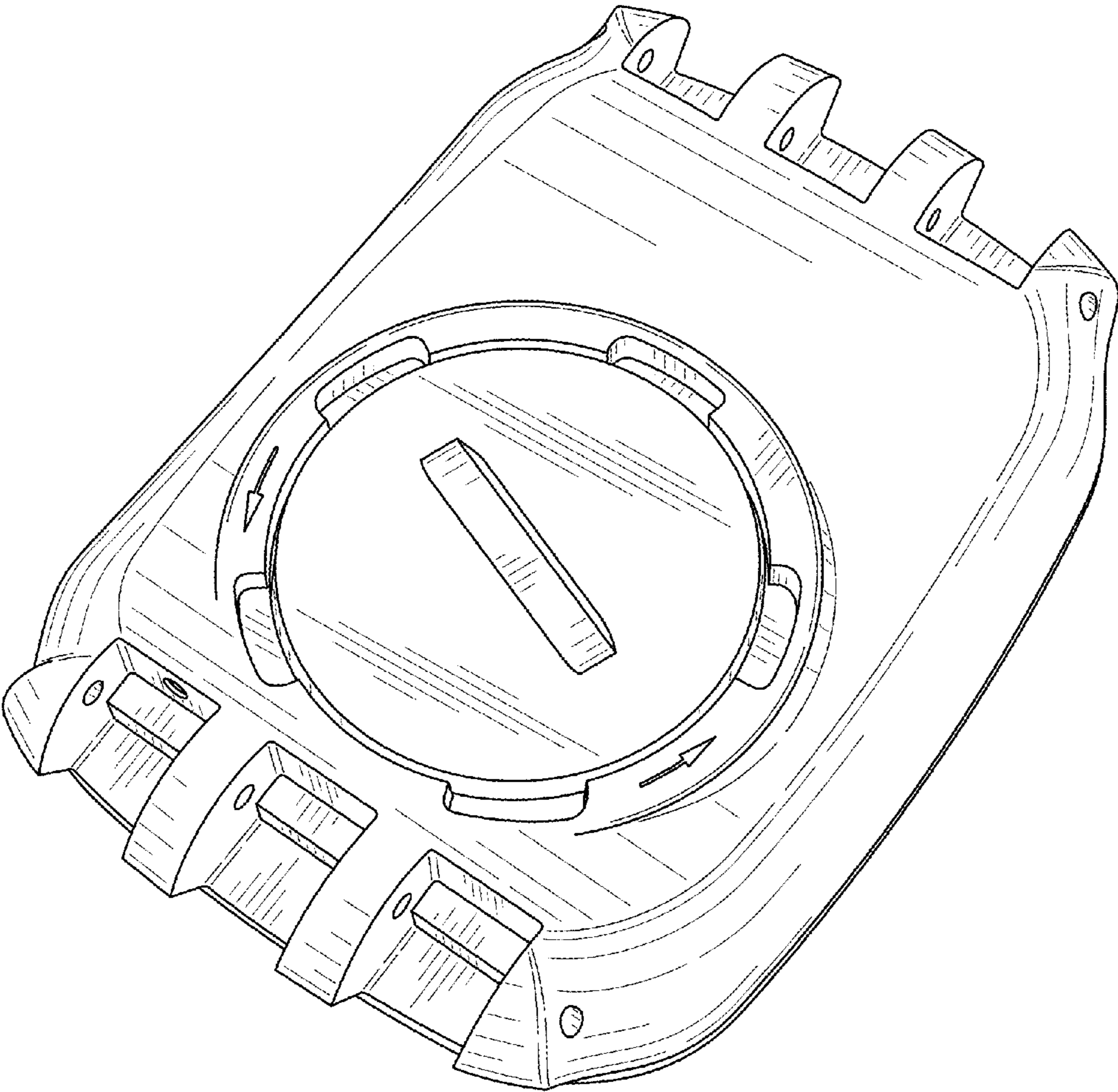


FIG. 2

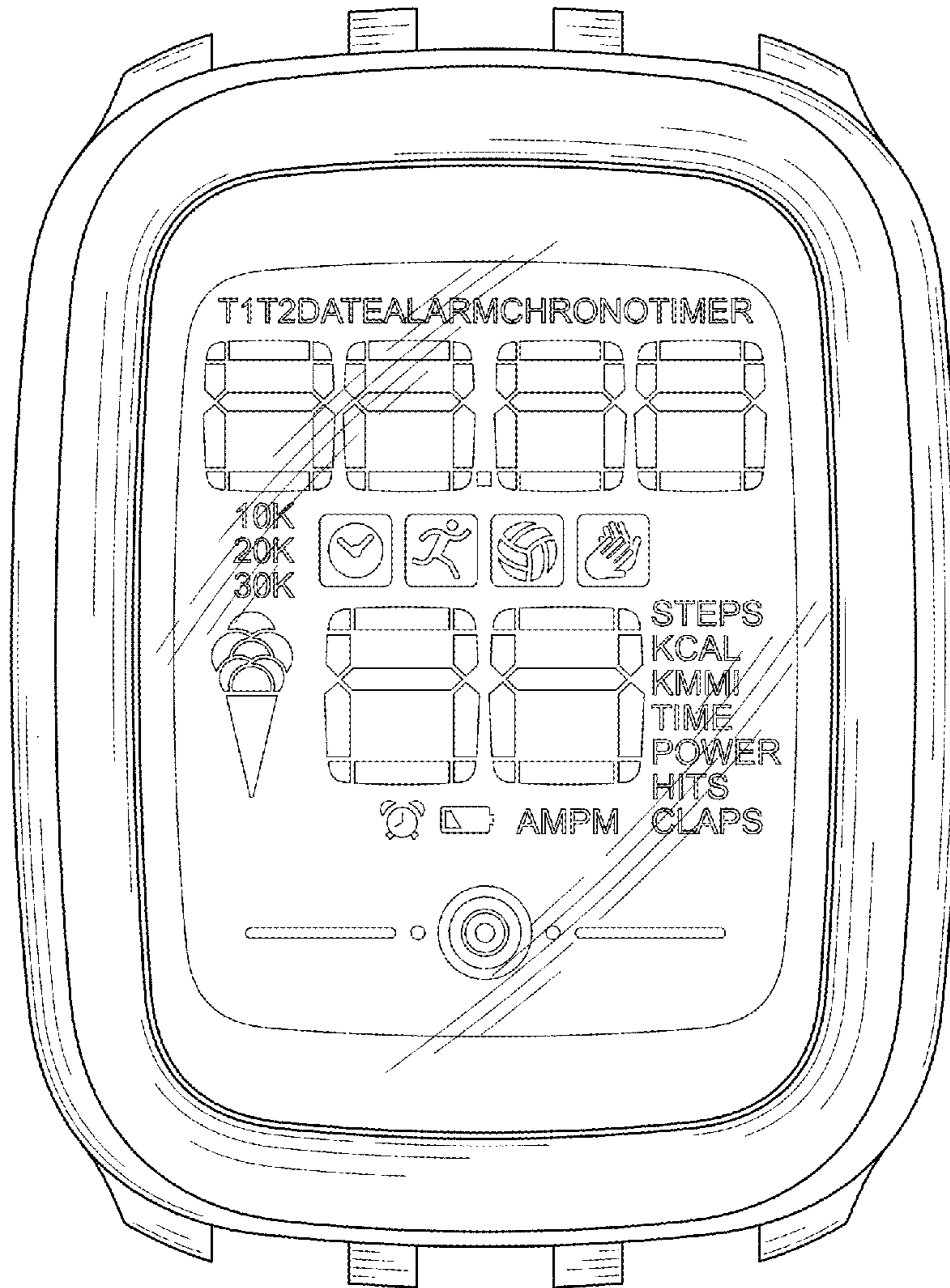


FIG. 3

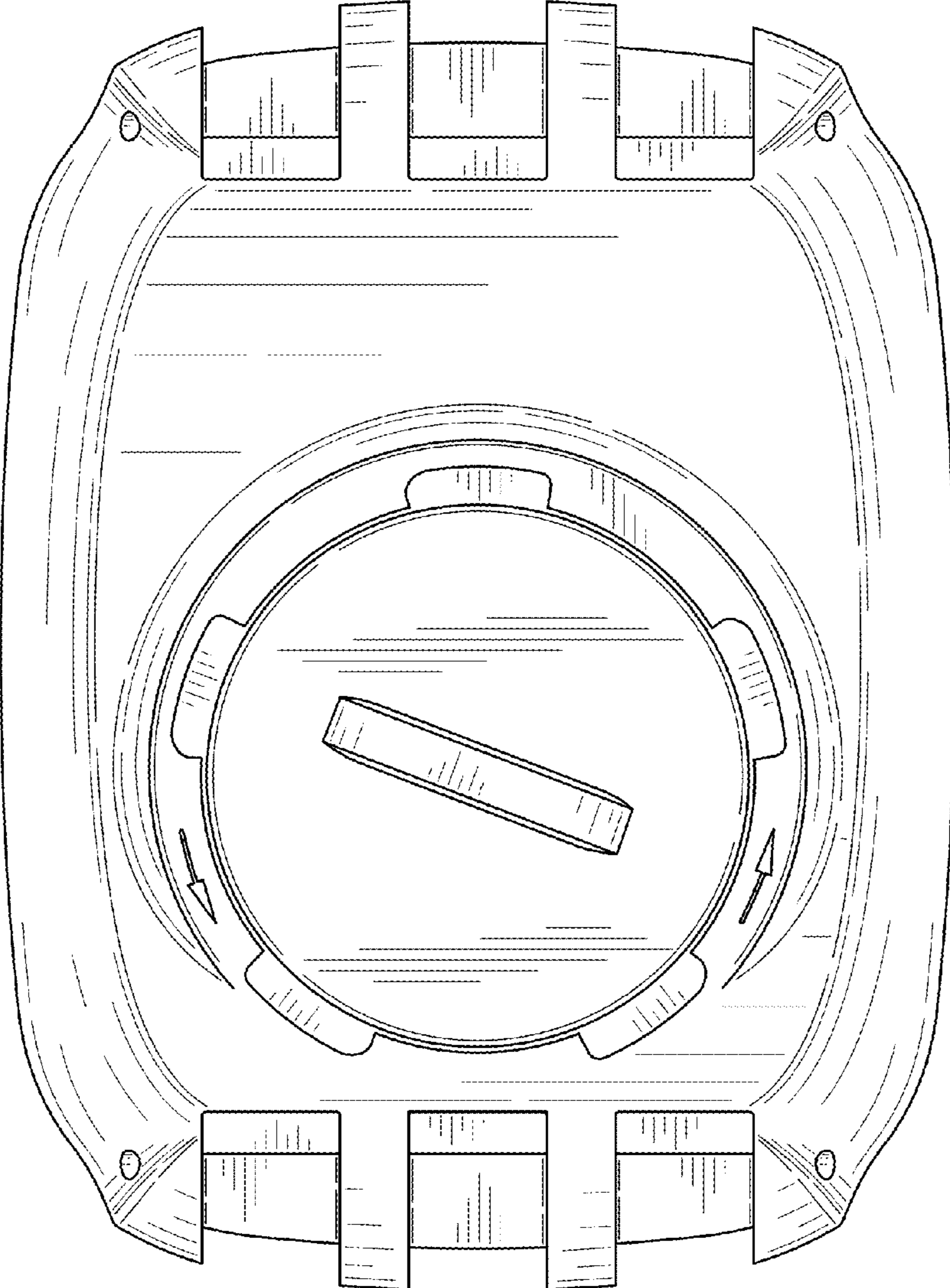


FIG. 4

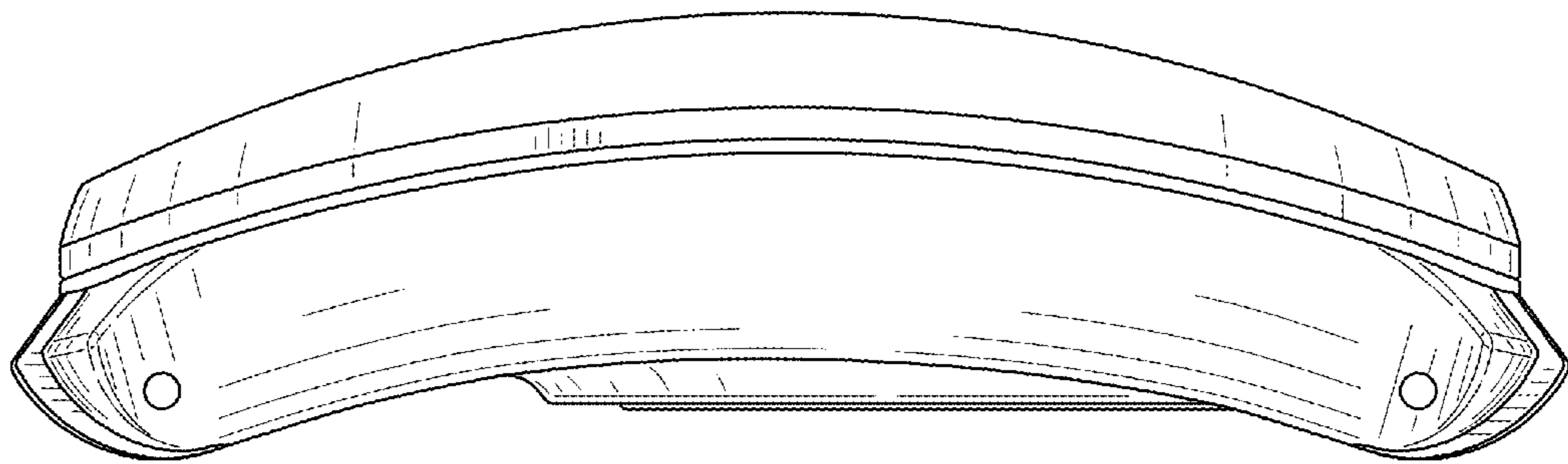


FIG. 5

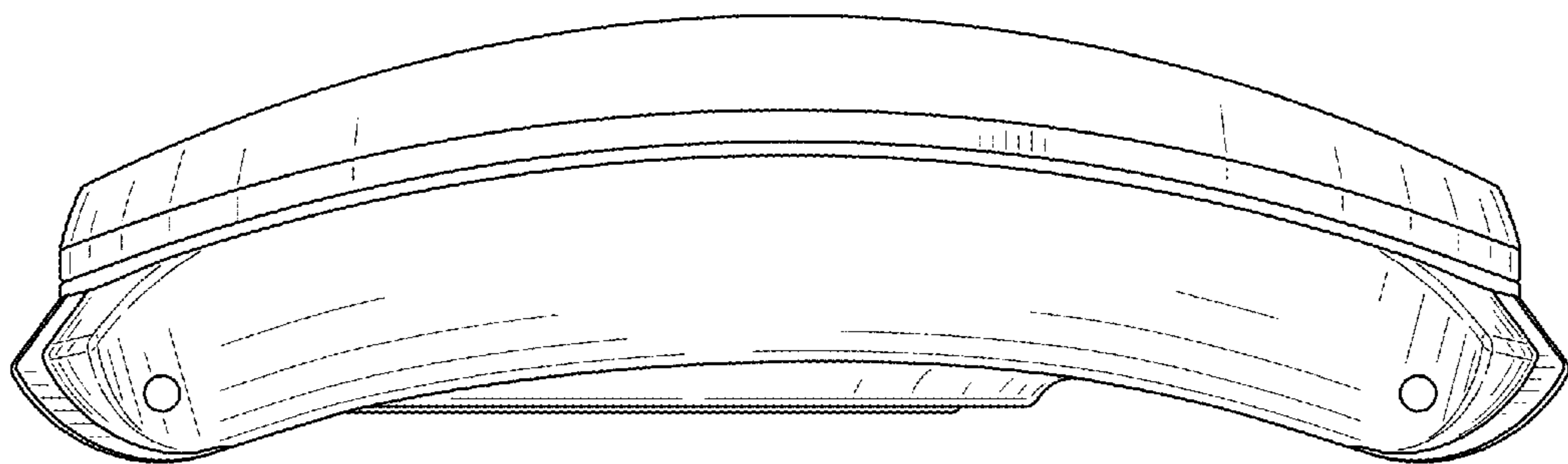


FIG. 6

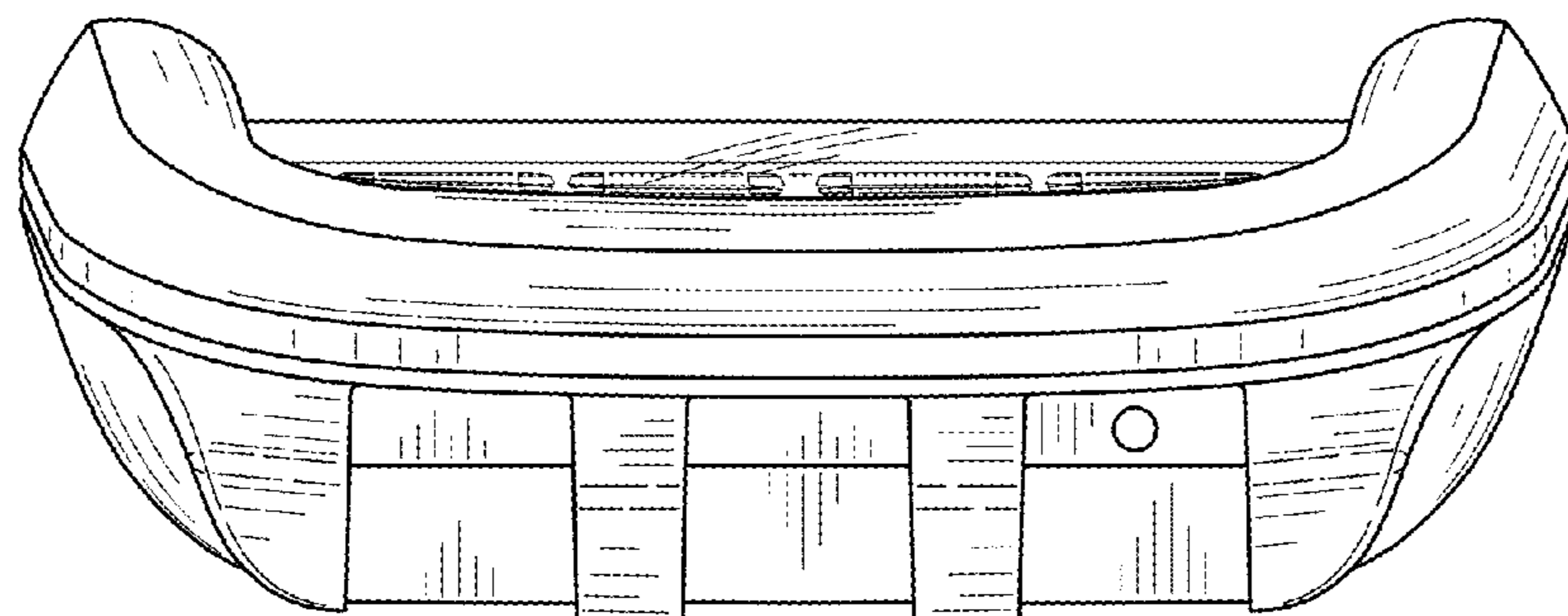


FIG. 7

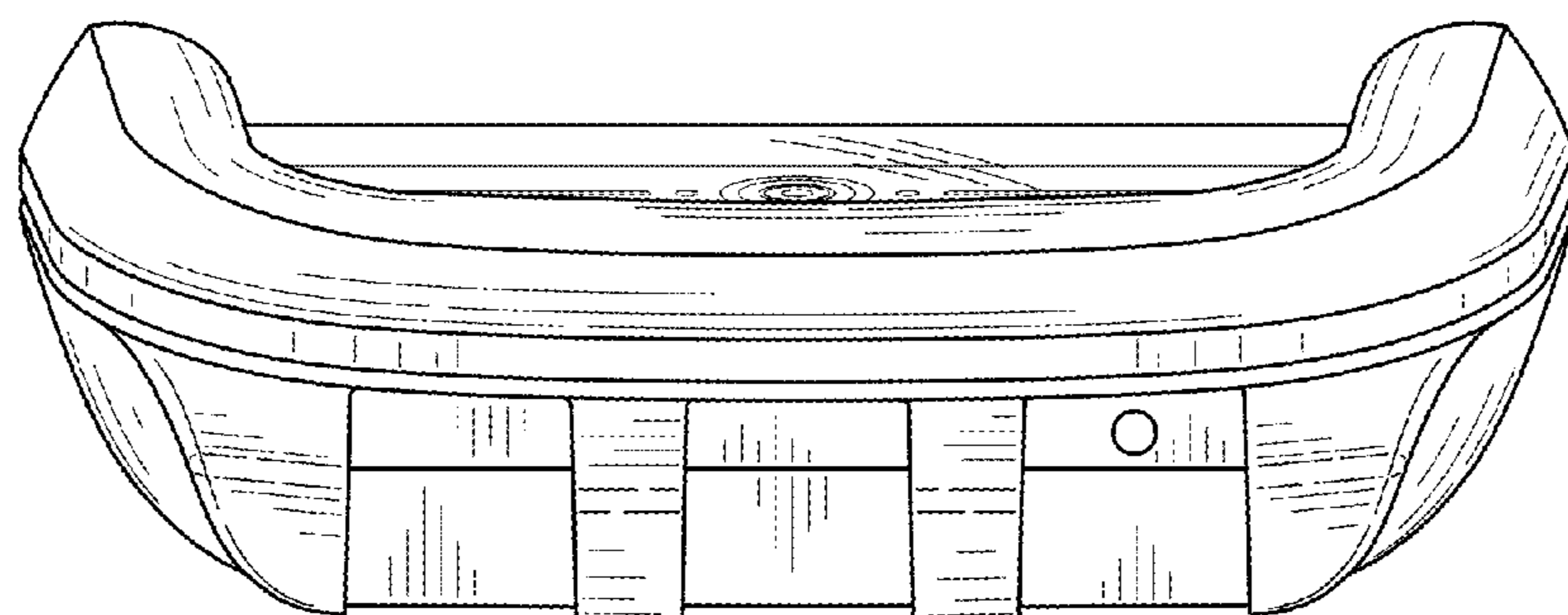


FIG. 8

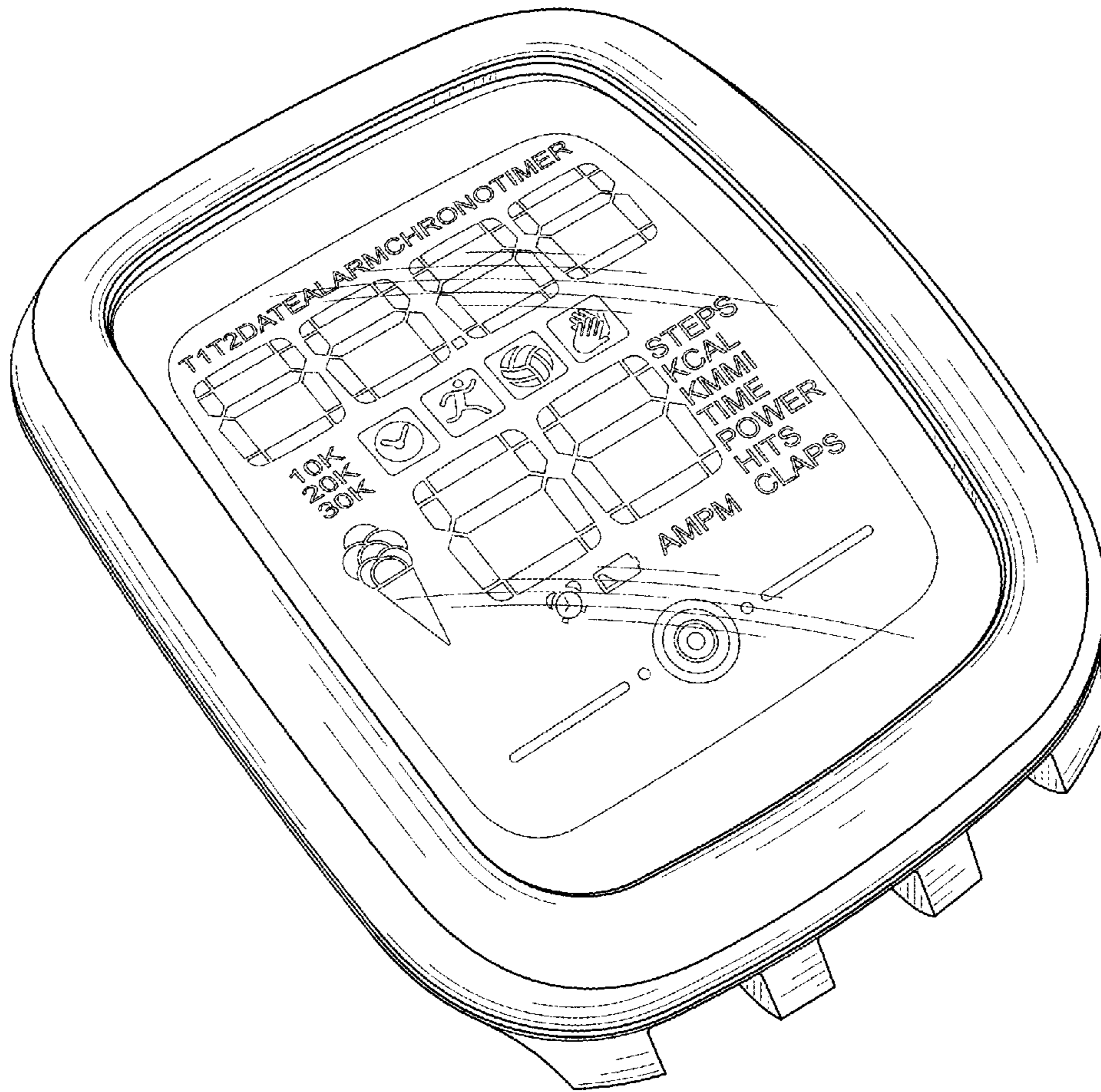


FIG. 9



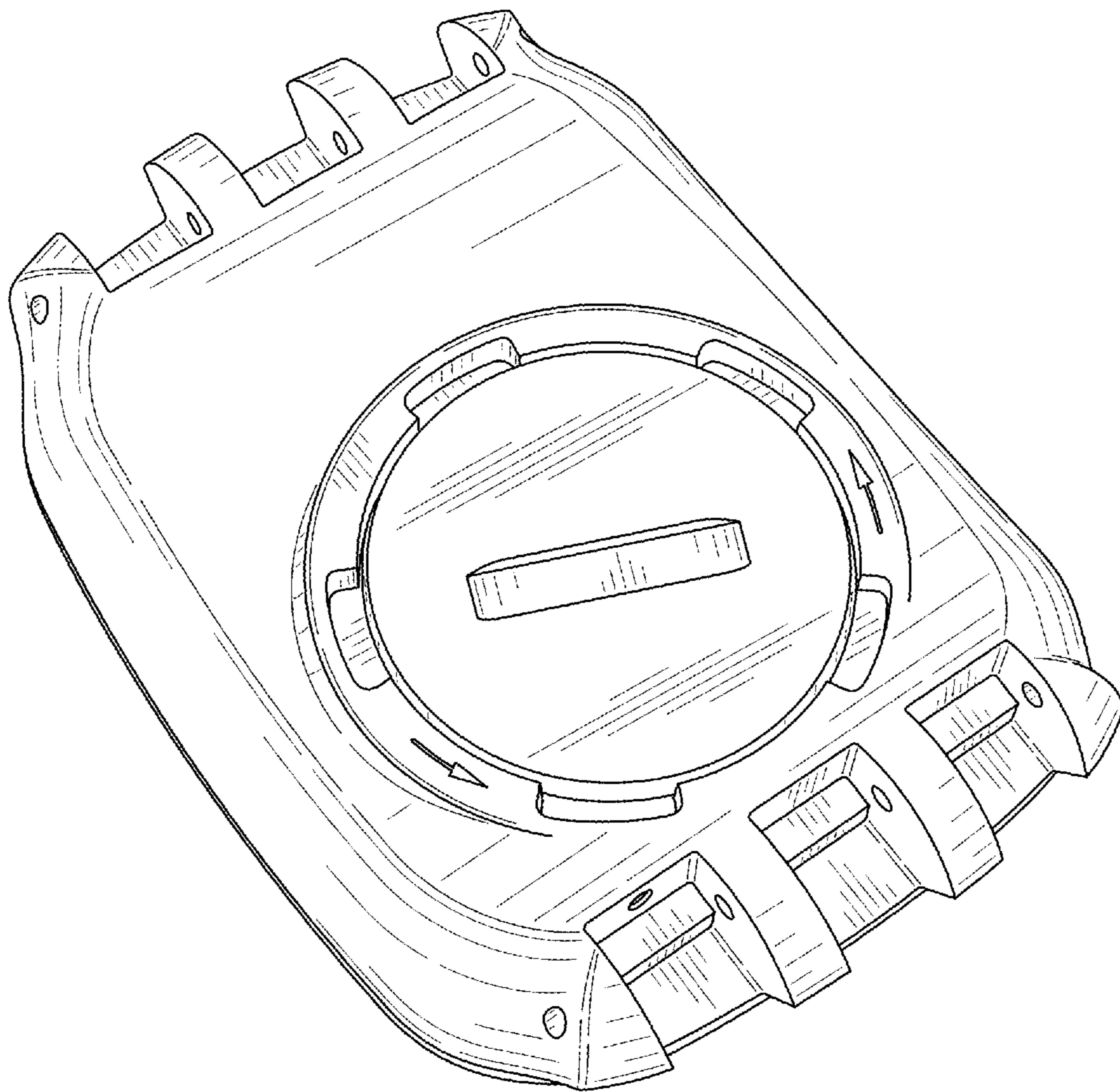


FIG. 10