



US00D766741S

(12) **United States Design Patent**  
**Tschumi**

(10) **Patent No.:** **US D766,741 S**

(45) **Date of Patent:** **\*\* Sep. 20, 2016**

(54) **WATCH**

(71) Applicant: **HARRY WINSTON SA,**  
Plan-les-Ouates (CH)

(72) Inventor: **Antoine Tschumi,** Neuchâtel (CH)

(73) Assignee: **HARRY WINSTON SA,**  
Plan-les-Ouates (CH)

(\*\*) Term: **15 Years**

(21) Appl. No.: **29/537,204**

(22) Filed: **Aug. 24, 2015**

(30) **Foreign Application Priority Data**

Feb. 24, 2015 (WO) ..... DM/085704

(51) **LOC (10) Cl.** ..... **10-02**

(52) **U.S. Cl.**  
USPC ..... **D10/30; D10/38**

(58) **Field of Classification Search**

USPC ..... D10/30-39, 1-29, 122-132; 368/10,  
368/15-18, 21, 28, 37, 80, 223, 228, 232,  
368/276, 277, 281, 282, 285, 294, 295, 308,  
368/319

CPC .... G04B 17/00; G04B 17/02; G04B 17/005;  
G04B 17/285; G04B 37/00; G04B 37/0008;  
G04B 37/0058; G04B 45/00; G04B 45/038;  
G04B 45/0069; G04B 45/0076; G04B 45/02;  
G04B 29/00

See application file for complete search history.

(56) **References Cited**

**U.S. PATENT DOCUMENTS**

D256,561 S \* 8/1980 Muramatsu ..... D10/30  
D317,874 S \* 7/1991 Woomeer ..... D10/39

D318,807 S \* 8/1991 Lambert ..... D10/30  
D343,796 S \* 2/1994 Hatsuki ..... D10/15  
D448,682 S \* 10/2001 Sato ..... D10/39  
D453,690 S \* 2/2002 D'Origny ..... D10/39  
D491,472 S \* 6/2004 Peraldi ..... D10/30  
D531,916 S \* 11/2006 Galli ..... D10/31  
D532,712 S \* 11/2006 Ruchonnet ..... D10/126  
D533,791 S \* 12/2006 Arabo ..... D10/38  
D557,618 S \* 12/2007 El Kadiri ..... D10/31  
D585,769 S \* 2/2009 Belamich ..... D10/39  
D585,770 S \* 2/2009 Belamich ..... D10/39  
D596,960 S \* 7/2009 Giroud ..... D10/39

\* cited by examiner

*Primary Examiner* — Susan Bennett Hattan

*Assistant Examiner* — Jennifer Wright

(74) *Attorney, Agent, or Firm* — Donald J. Ranft; Kristen A. Mogavero; Collen IP

(57) **CLAIM**

The ornamental design for a watch, as shown.

**DESCRIPTION**

FIG. 1 is a front right perspective view of a watch showing my new design;

FIG. 2 is a front left perspective view thereof;

FIG. 3 is a rear right perspective view thereof;

FIG. 4 is a rear left perspective view thereof;

FIG. 5 is a front view thereof;

FIG. 6 is a rear view thereof;

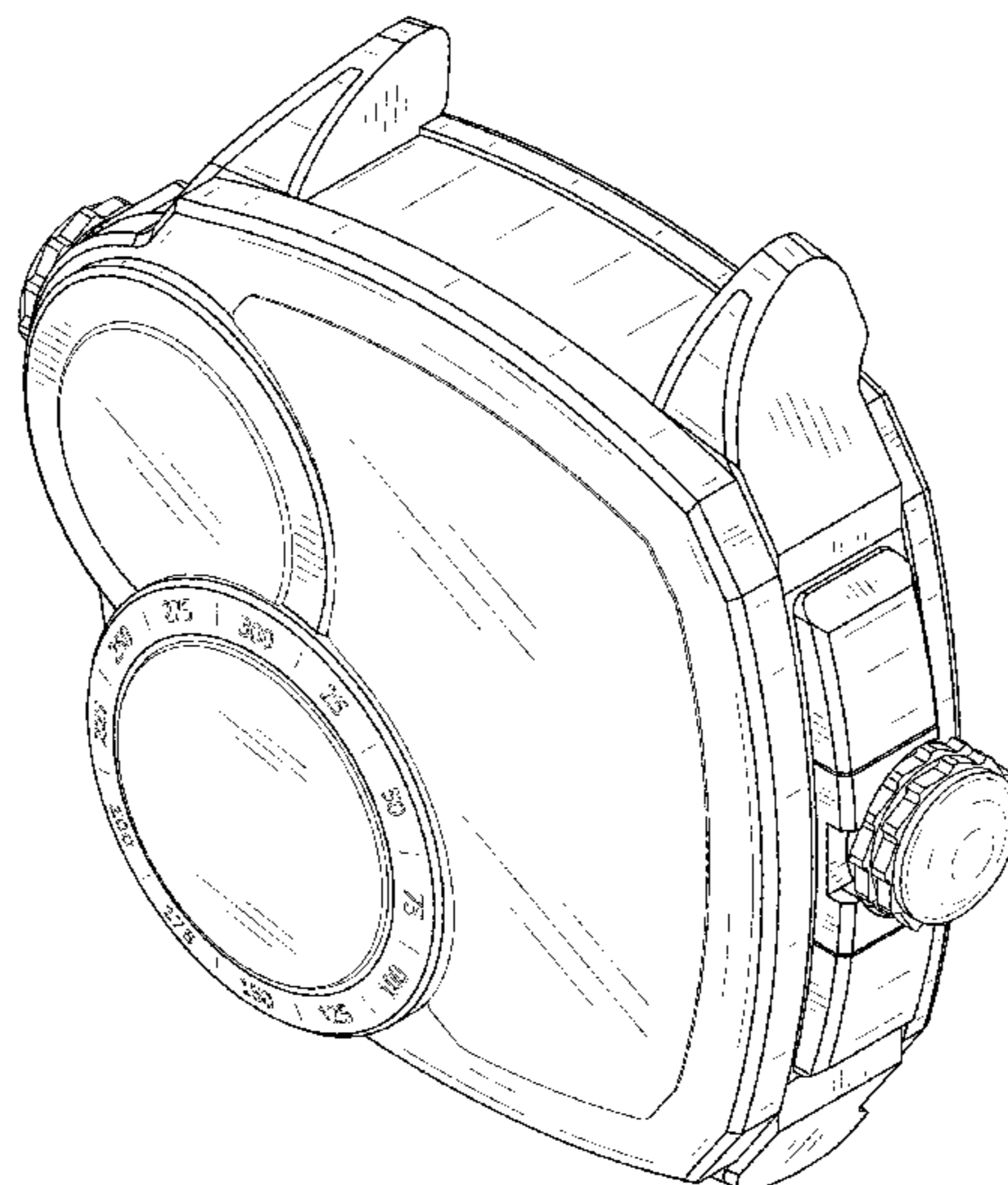
FIG. 7 is a left side view thereof;

FIG. 8 is a right side view thereof;

FIG. 9 is a top view thereof; and,

FIG. 10 is a bottom view thereof.

**1 Claim, 8 Drawing Sheets**



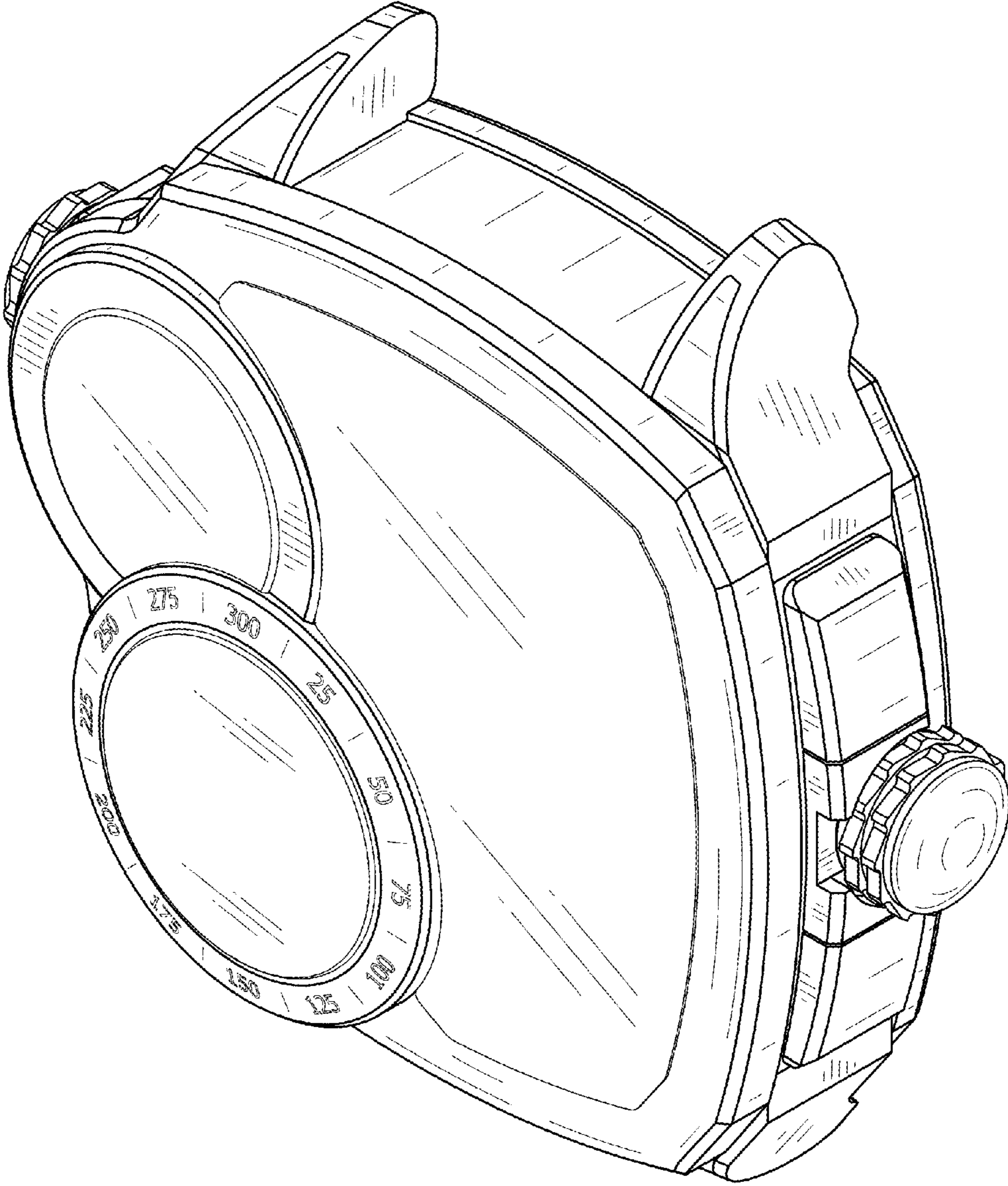


FIG. 1

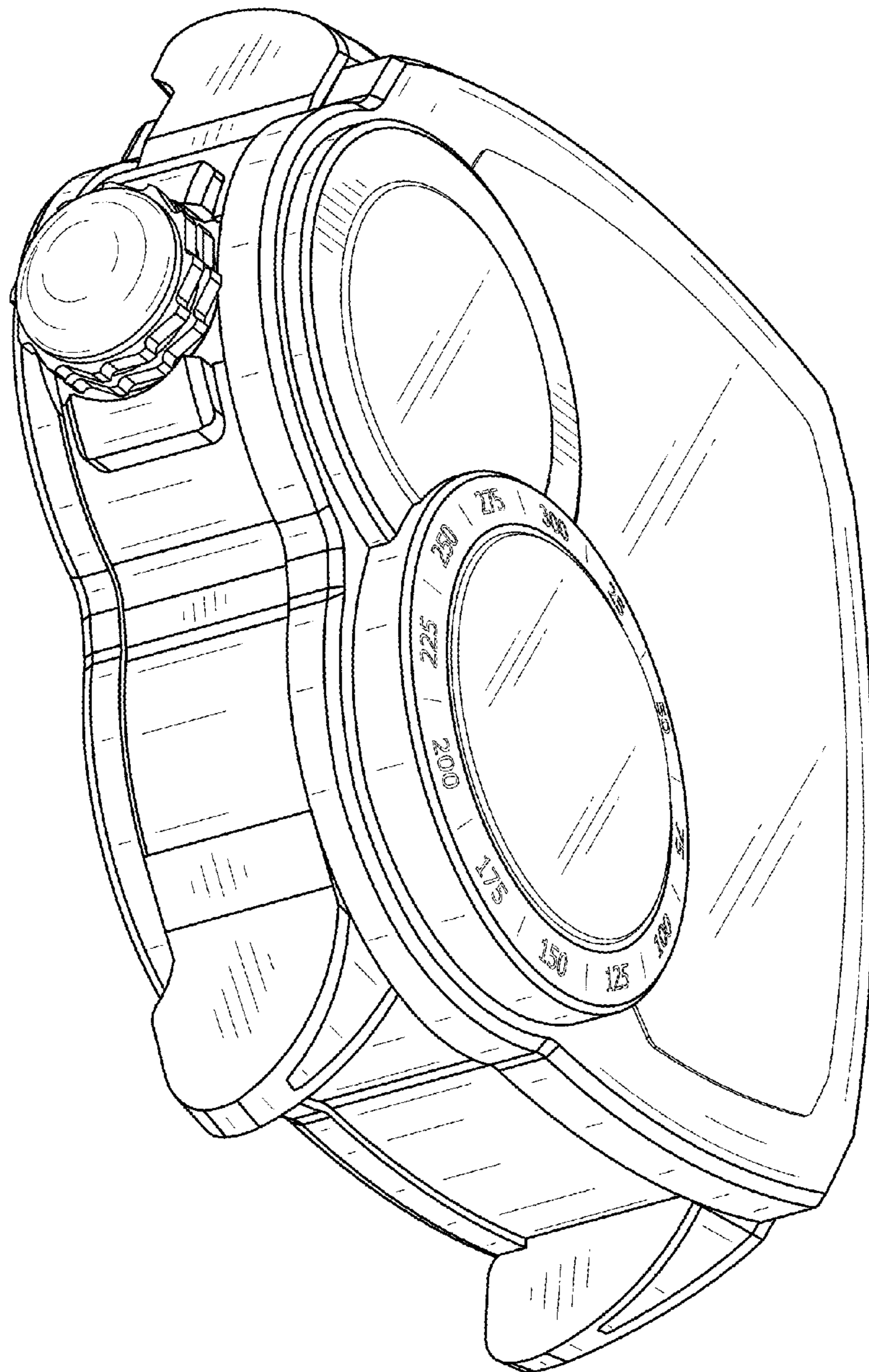


FIG. 2



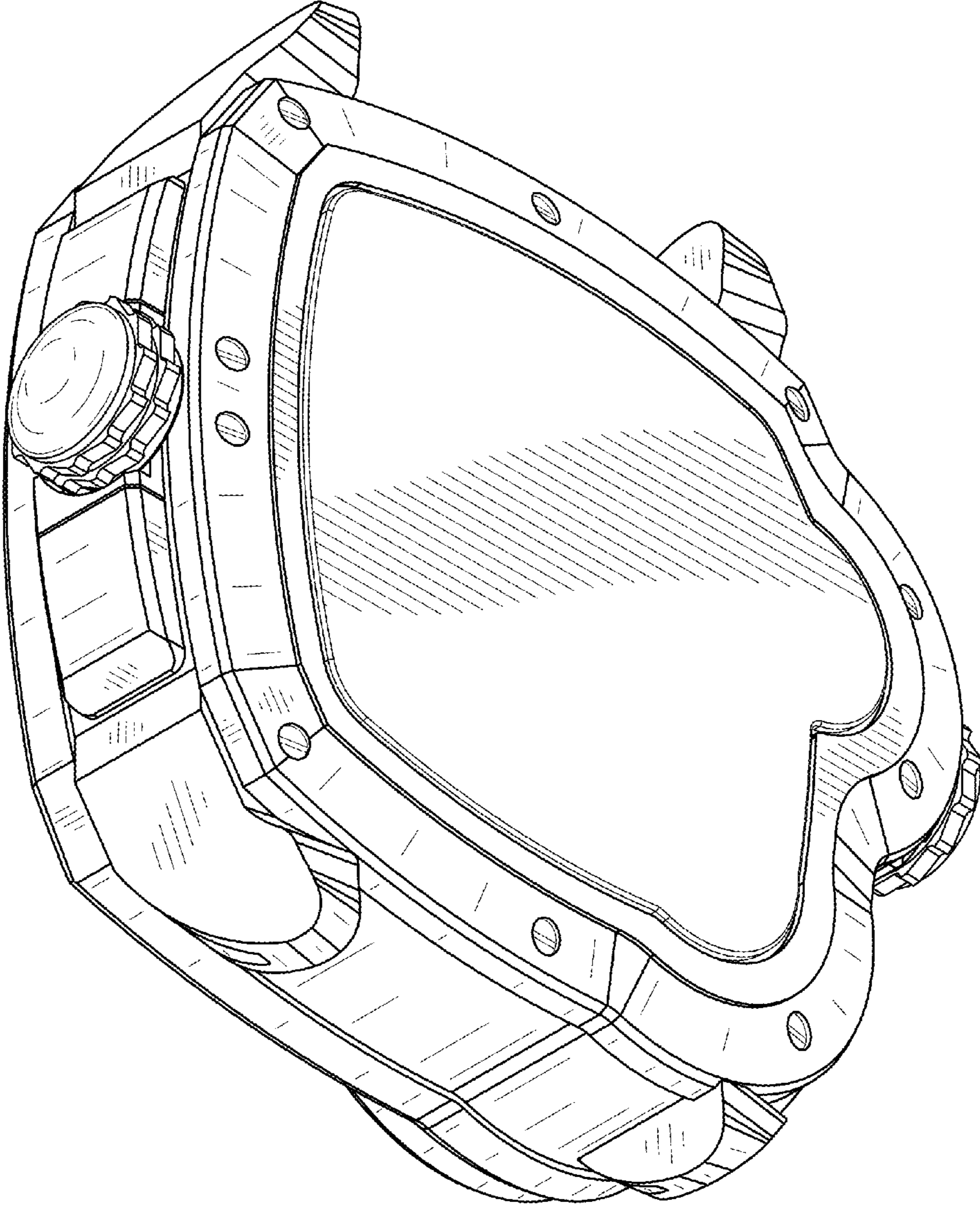


FIG. 3

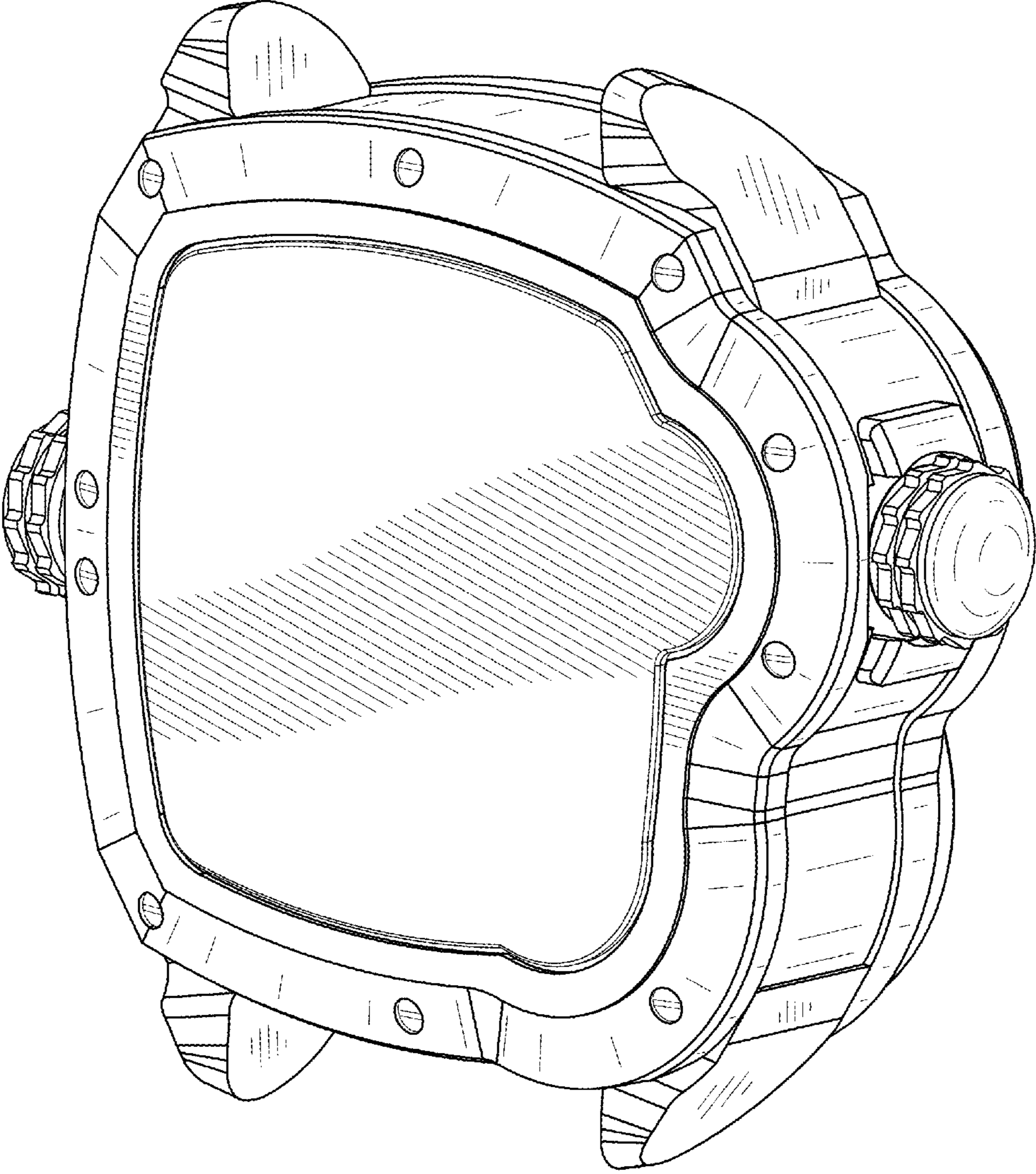


FIG. 4

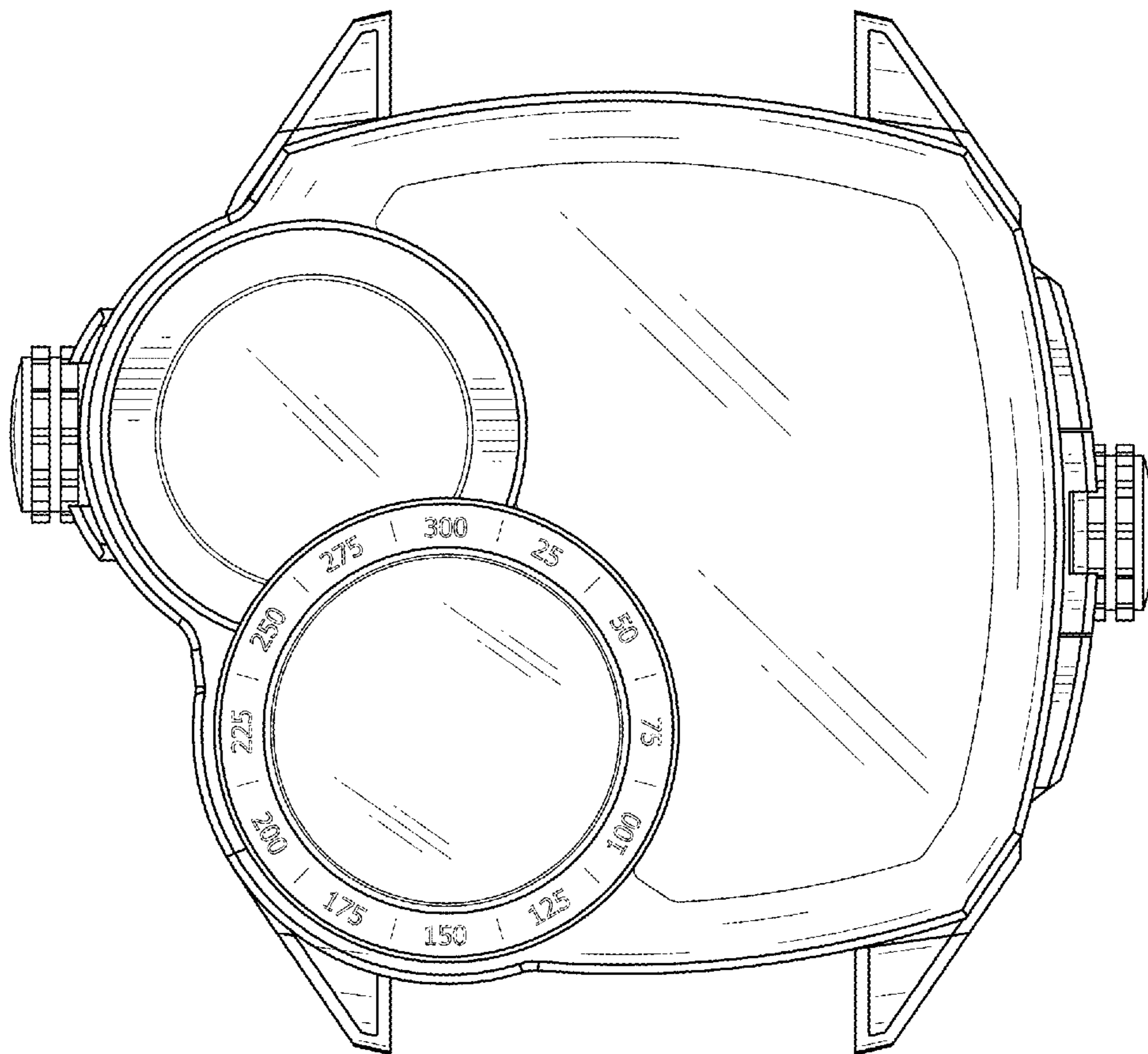


FIG. 5

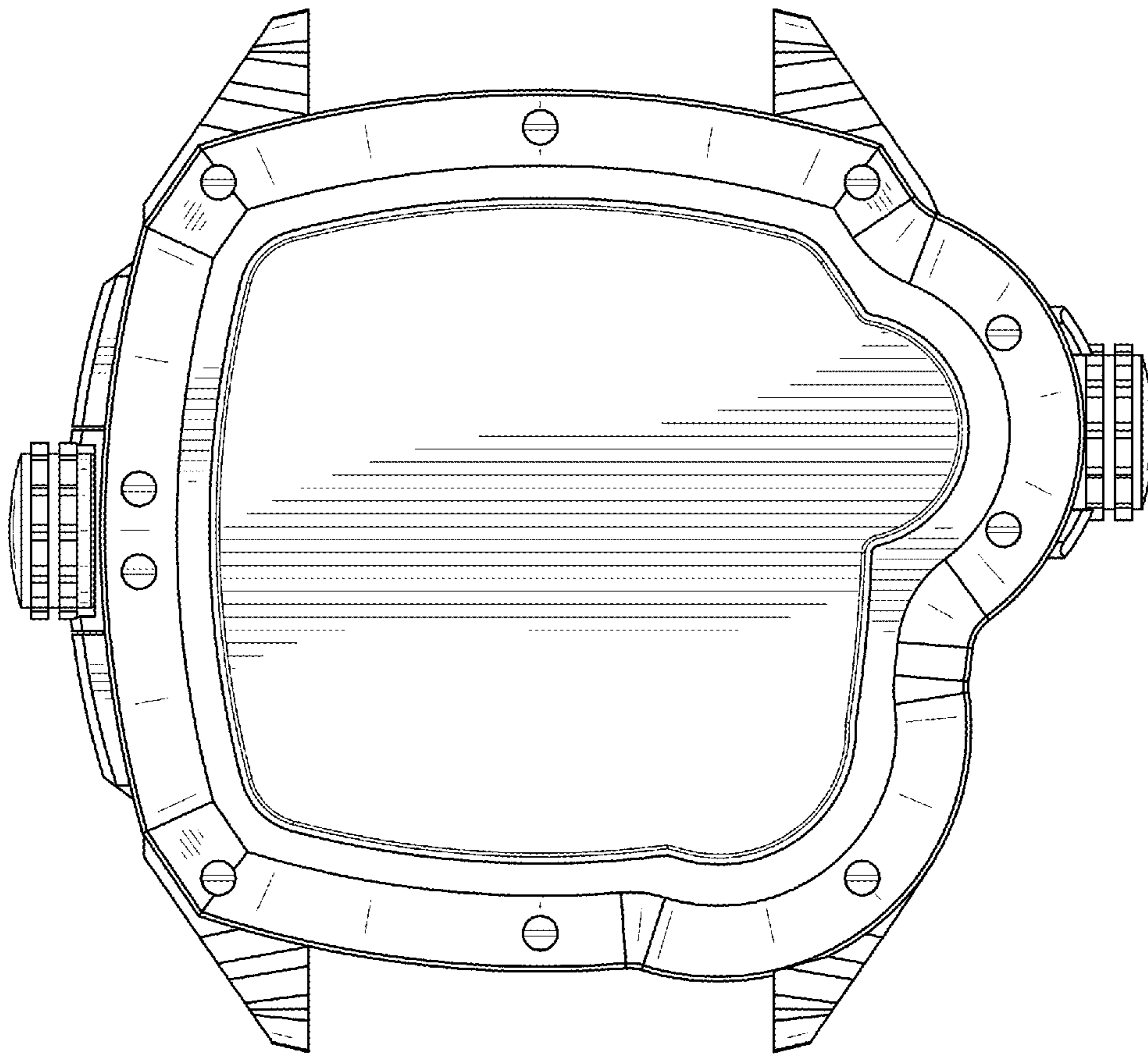


FIG. 6



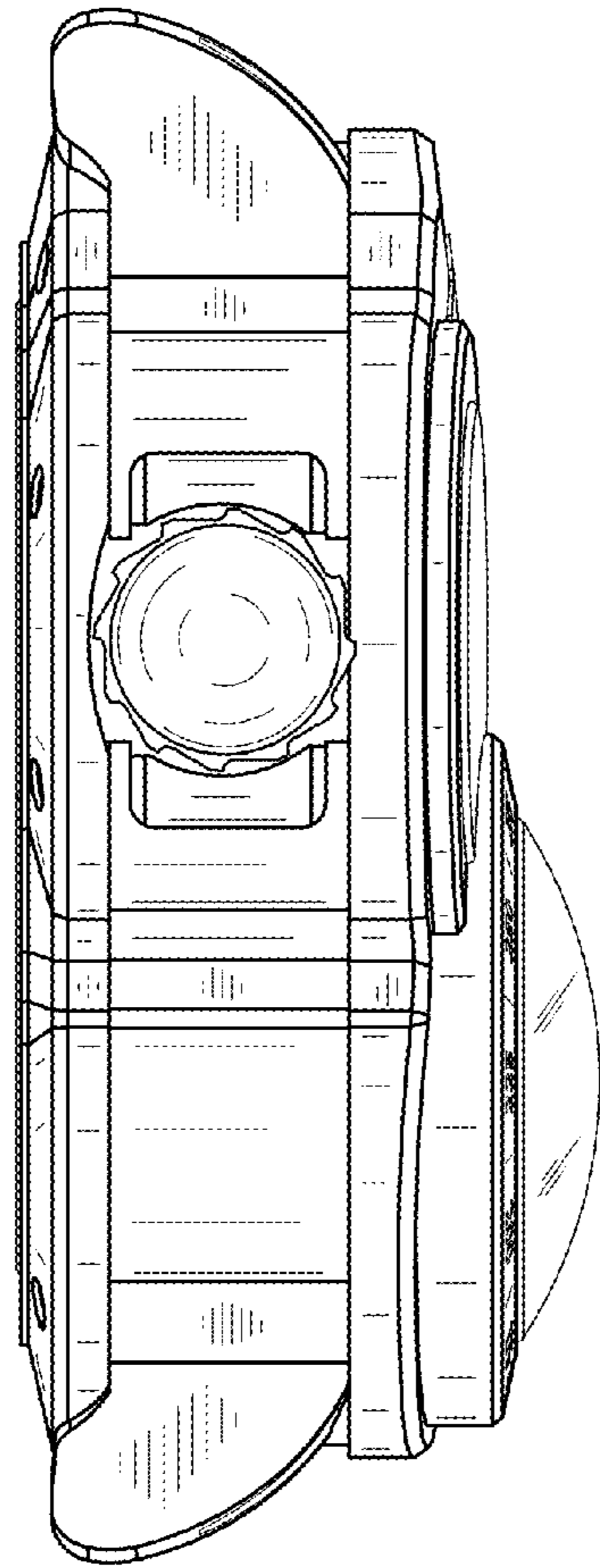


FIG. 7

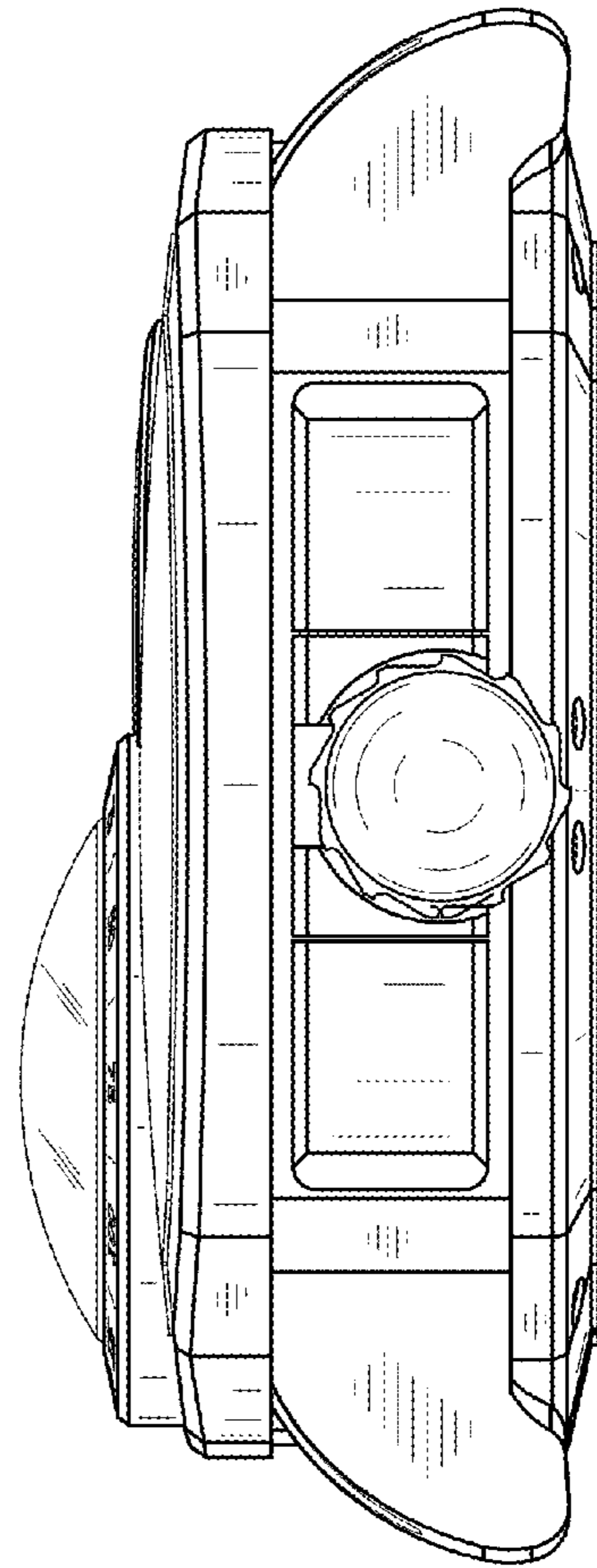


FIG. 8



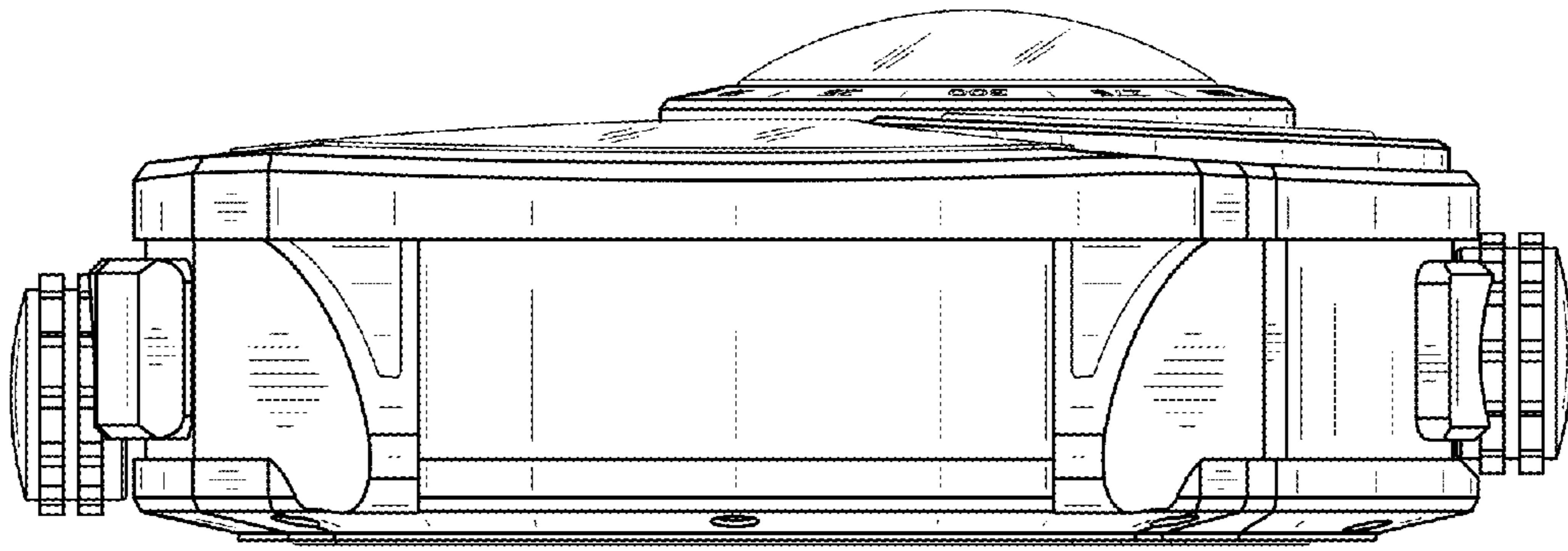


FIG. 9

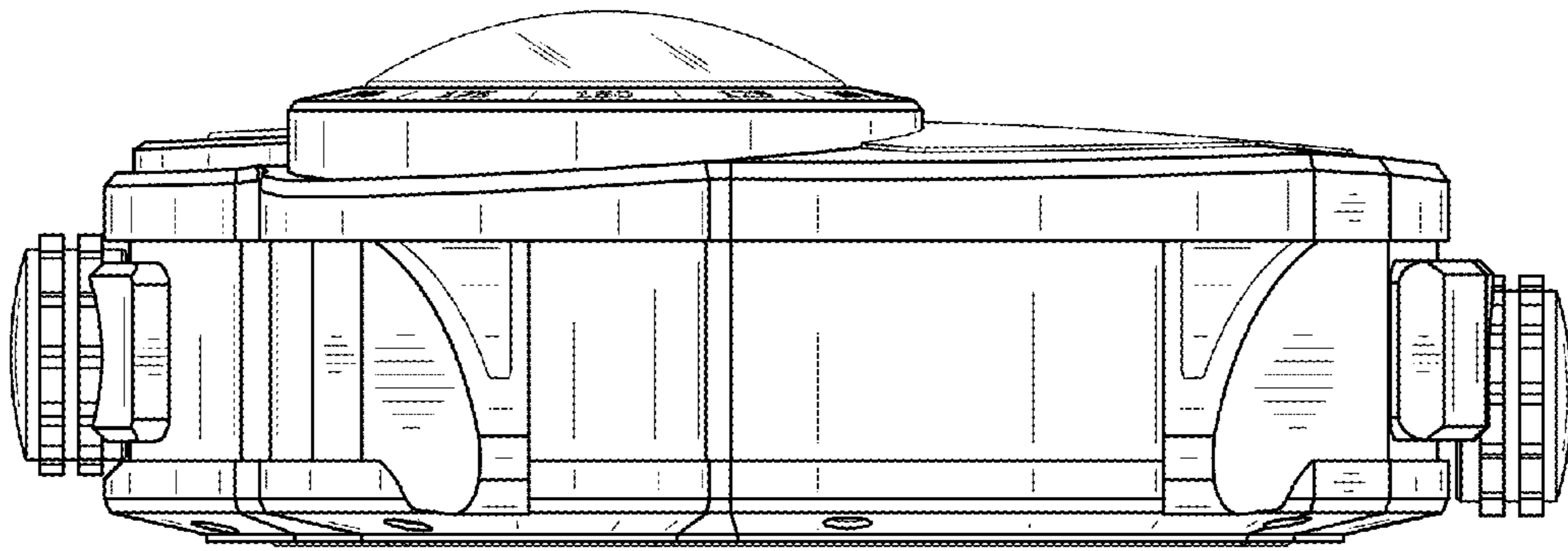


FIG. 10