



US00D766736S

(12) **United States Design Patent**
Shoshan

(10) **Patent No.:** **US D766,736 S**

(45) **Date of Patent:** **** Sep. 20, 2016**

(54) **CONTAINER AND OVERWRAP ASSEMBLY**

(71) Applicant: **FiveStar Gourmet Foods, Inc.**,
Ontario, CA (US)

(72) Inventor: **Tal Shoshan**, Alta Loma, CA (US)

(73) Assignee: **FiveStar Gourmet Foods, Inc.**,
Ontario, CA (US)

(**) Term: **15 Years**

(21) Appl. No.: **29/528,587**

(22) Filed: **May 29, 2015**

(51) **LOC (10) Cl.** **09-05**

(52) **U.S. Cl.**
USPC **D9/711**

(58) **Field of Classification Search**
USPC D9/702-714, 414, 430-33, 715, 425,
D9/721, 760-761, 415, 456, 416, 542, 563,
D9/444, 445; 206/784, 457, 822, 223, 557,
206/561, 299, 770, 565; 229/125.05, 902,
229/938, 87.05, 87.01, 87.19, 116.5, 122,
229/201, 939, 942, 100, 101, 101.2, 103.2;
215/400; D7/354, 553.2, 555, 629,
D7/701, 602; 220/890, 376, 377, 556, 380,
220/657, 659
CPC B65D 5/00; B65D 5/001; B65D 5/0015;
B65D 5/0027; B65D 5/0045; B65D 5/18;
B65D 5/2033; B65D 5/0227; B65D 5/38;
B65D 5/40; B65D 1/22; B65D 1/225; B65D
1/24; B65D 1/34; B65D 1/38; B29L
2031/7162; B29L 2031/7164; B29L
2031/7166

See application file for complete search history.

(56) **References Cited**

U.S. PATENT DOCUMENTS

4,037,721 A * 7/1977 Schillinger B65D 71/16
206/426
5,105,945 A * 4/1992 Carver B65D 5/4279
206/426

D558,602 S * 1/2008 Kissner D9/711
D595,150 S * 6/2009 Cain D9/711
D610,919 S * 3/2010 James D9/711
D654,810 S * 2/2012 Mansouri D9/711
D665,271 S * 8/2012 Halty D9/711
D668,965 S * 10/2012 Crawford D9/711
D710,213 S * 8/2014 Birchmeier D9/711
D718,641 S * 12/2014 Ryan D9/433
D742,759 S * 11/2015 Ryan D9/702
D743,811 S * 11/2015 Lebeau D9/711

* cited by examiner

Primary Examiner — Abraham Bahta

(74) *Attorney, Agent, or Firm* — Frost Brown Todd LLC

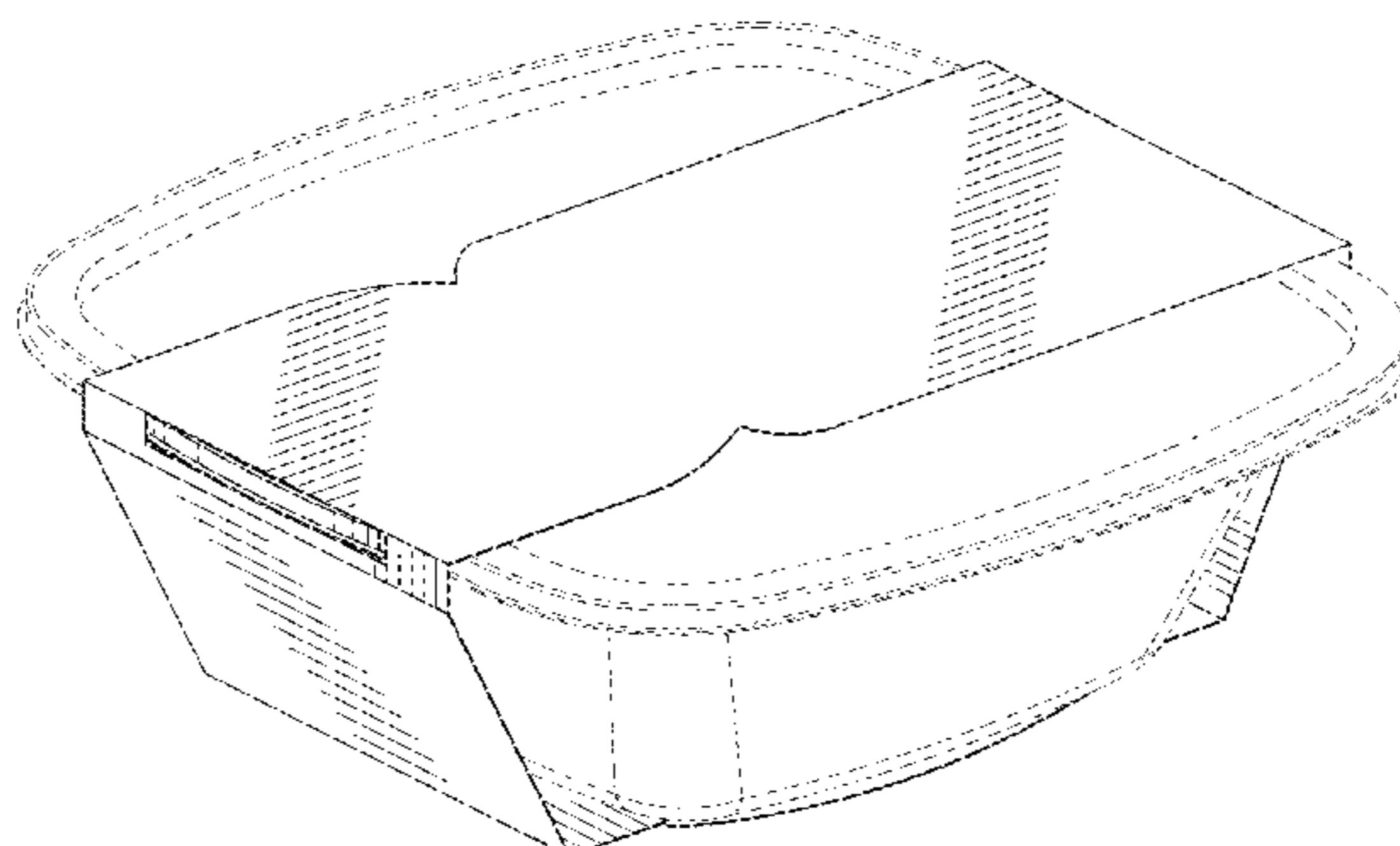
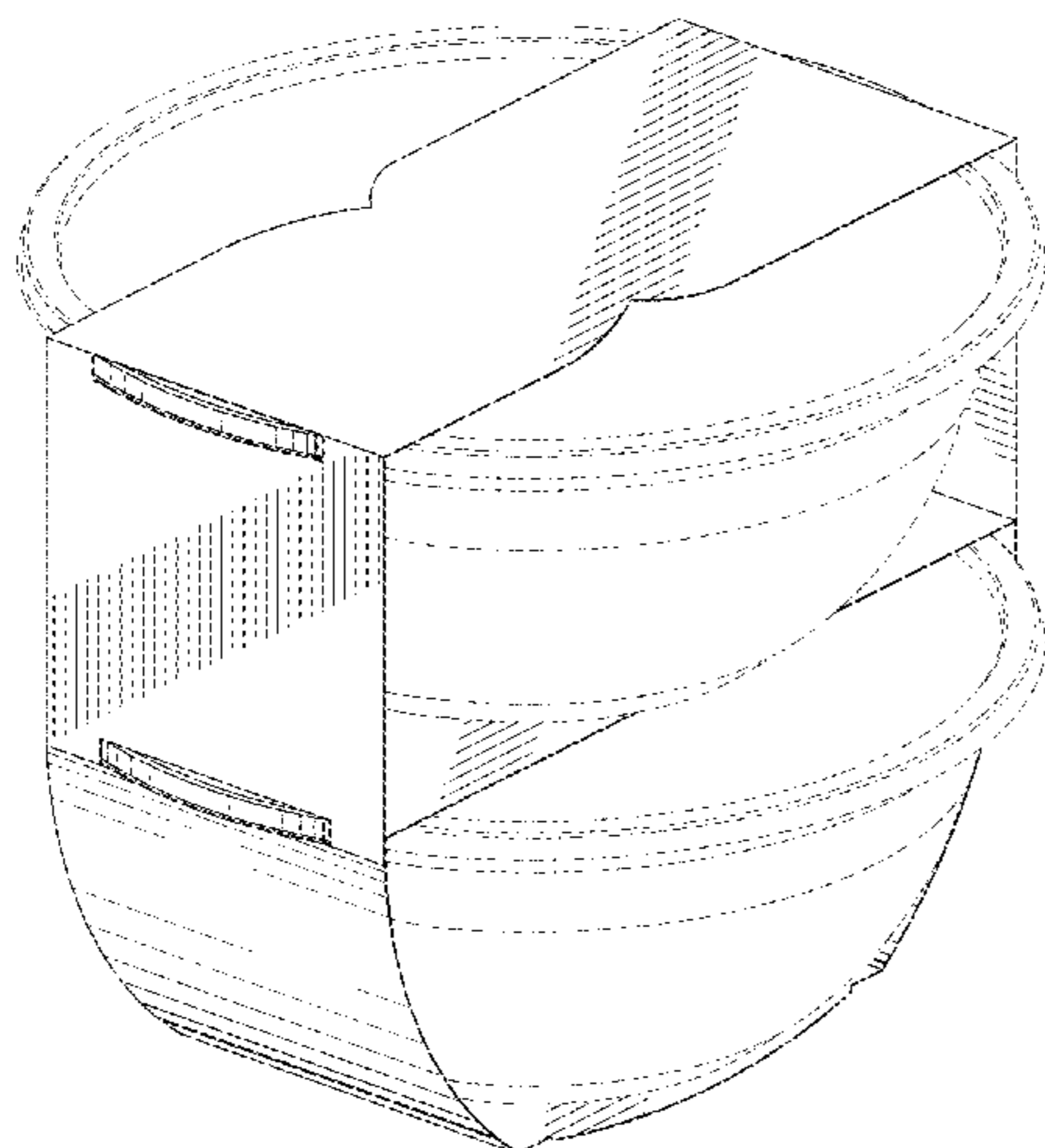
(57) **CLAIM**

The ornamental design for a container and overwrap assembly, as shown and described.

DESCRIPTION

FIG. 1 is a top perspective view of a container and overwrap assembly, showing our new design;
FIG. 2 is a bottom perspective view thereof;
FIG. 3 is a front elevational view thereof, the rear elevational view thereof being identical thereto;
FIG. 4 is a left elevational view thereof, the right elevational view being identical thereto;
FIG. 5 is a top plan view thereof; and
FIG. 6 is a bottom plan view thereof;
FIG. 7 is a top perspective view of an alternate embodiment of the container and overwrap assembly, showing our new design;
FIG. 8 is a bottom perspective view thereof;
FIG. 9 is a front elevational view thereof, the rear elevational view thereof being identical thereto;
FIG. 10 is a left elevational view thereof, the right elevational view thereof being identical thereto;
FIG. 11 is a top plan view thereof; and
FIG. 12 is a bottom plan view thereof.
The protrusions, recesses, and other portions of the container and overwrap assembly shown in broken lines are unclaimed environment, and form no part of the claimed design.

1 Claim, 12 Drawing Sheets



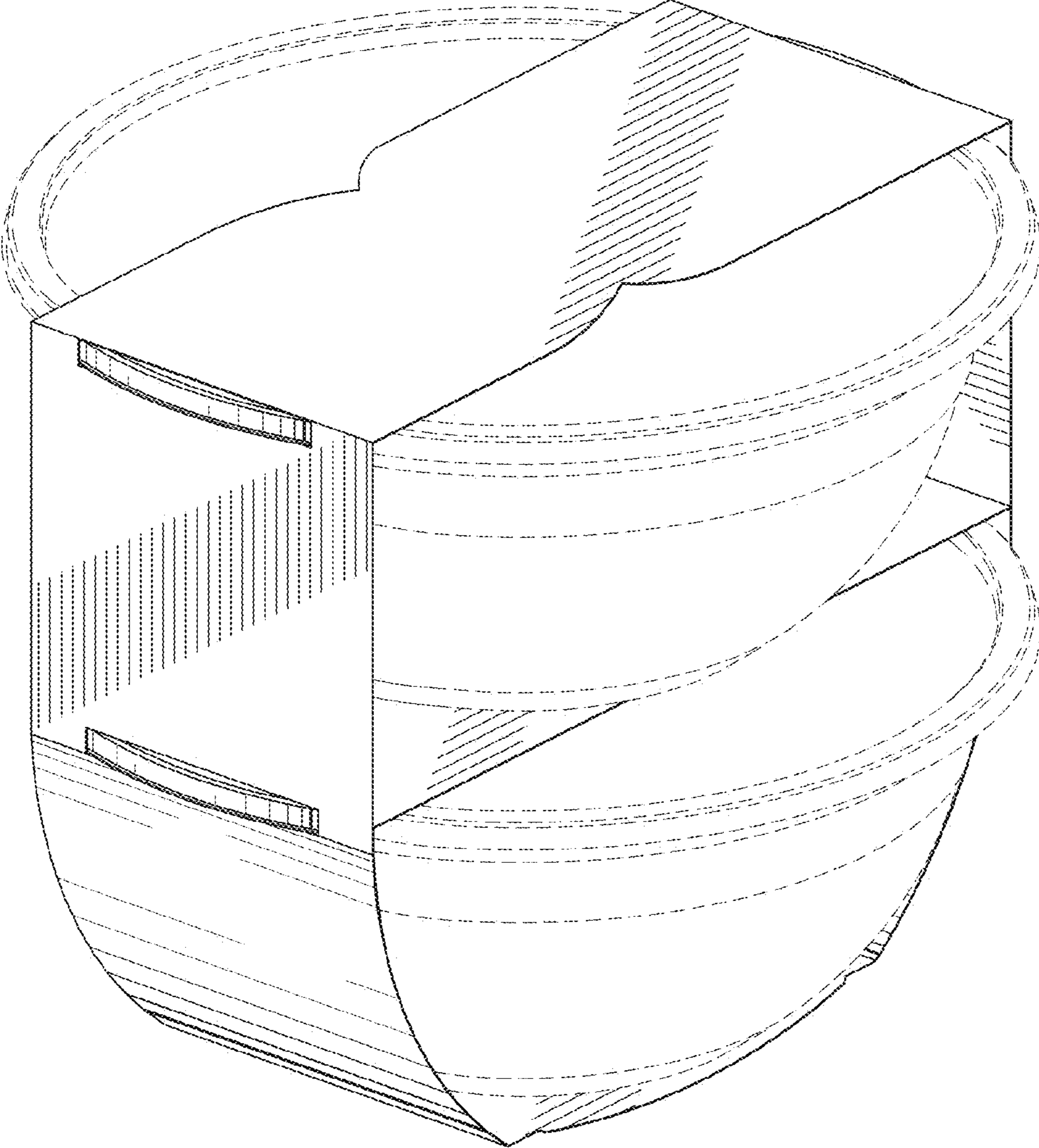


Fig. 1

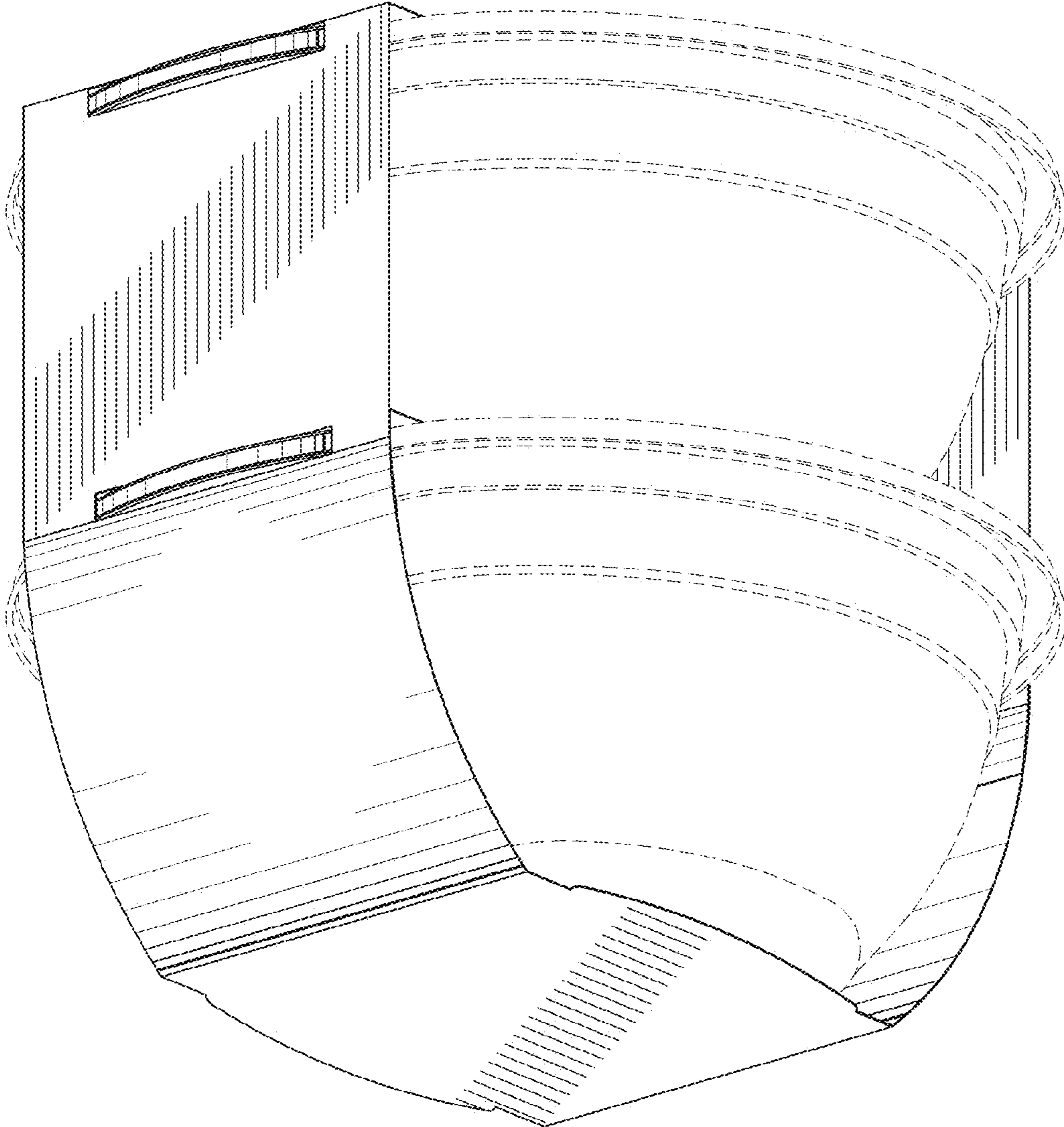


Fig.2

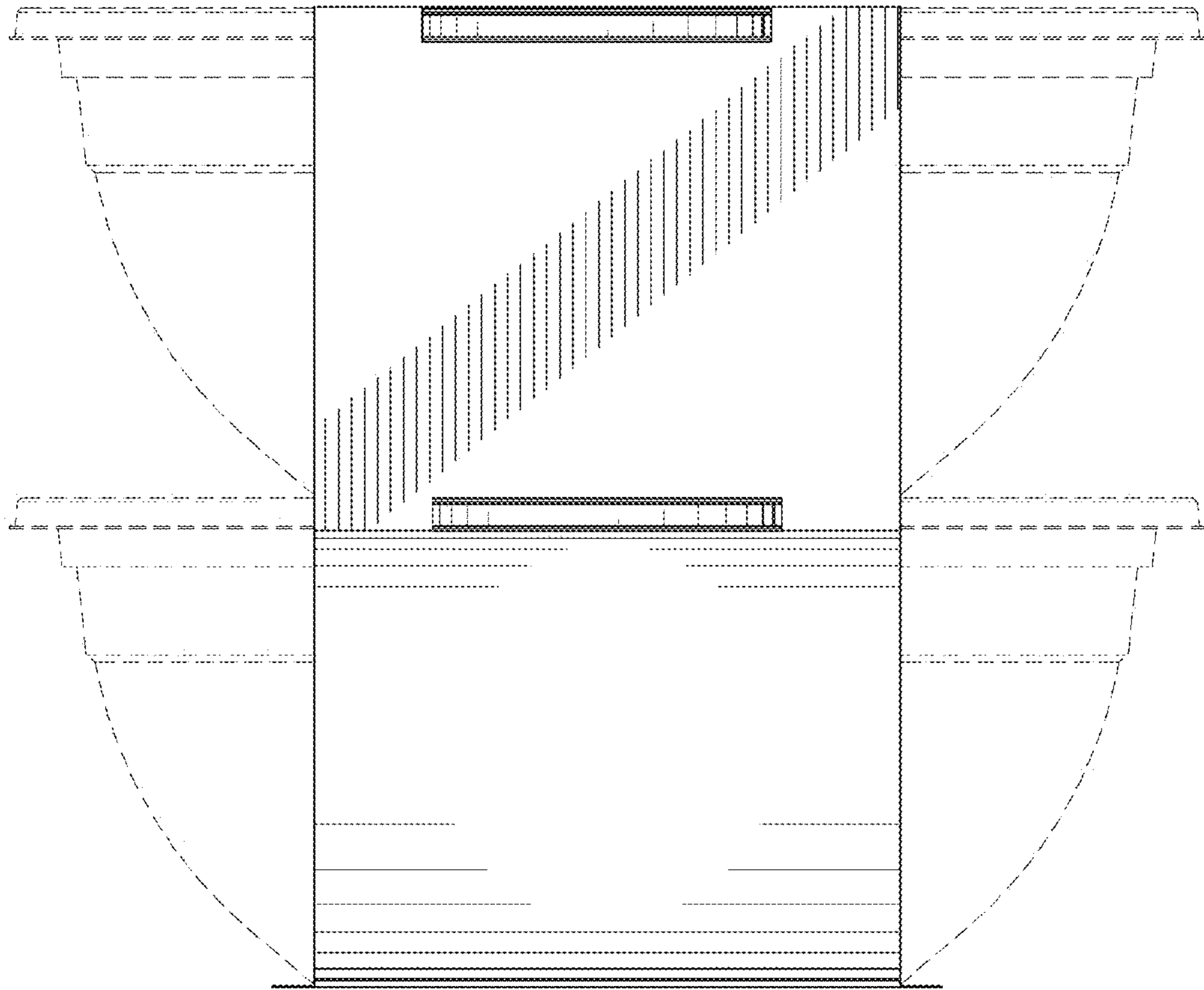


Fig. 3

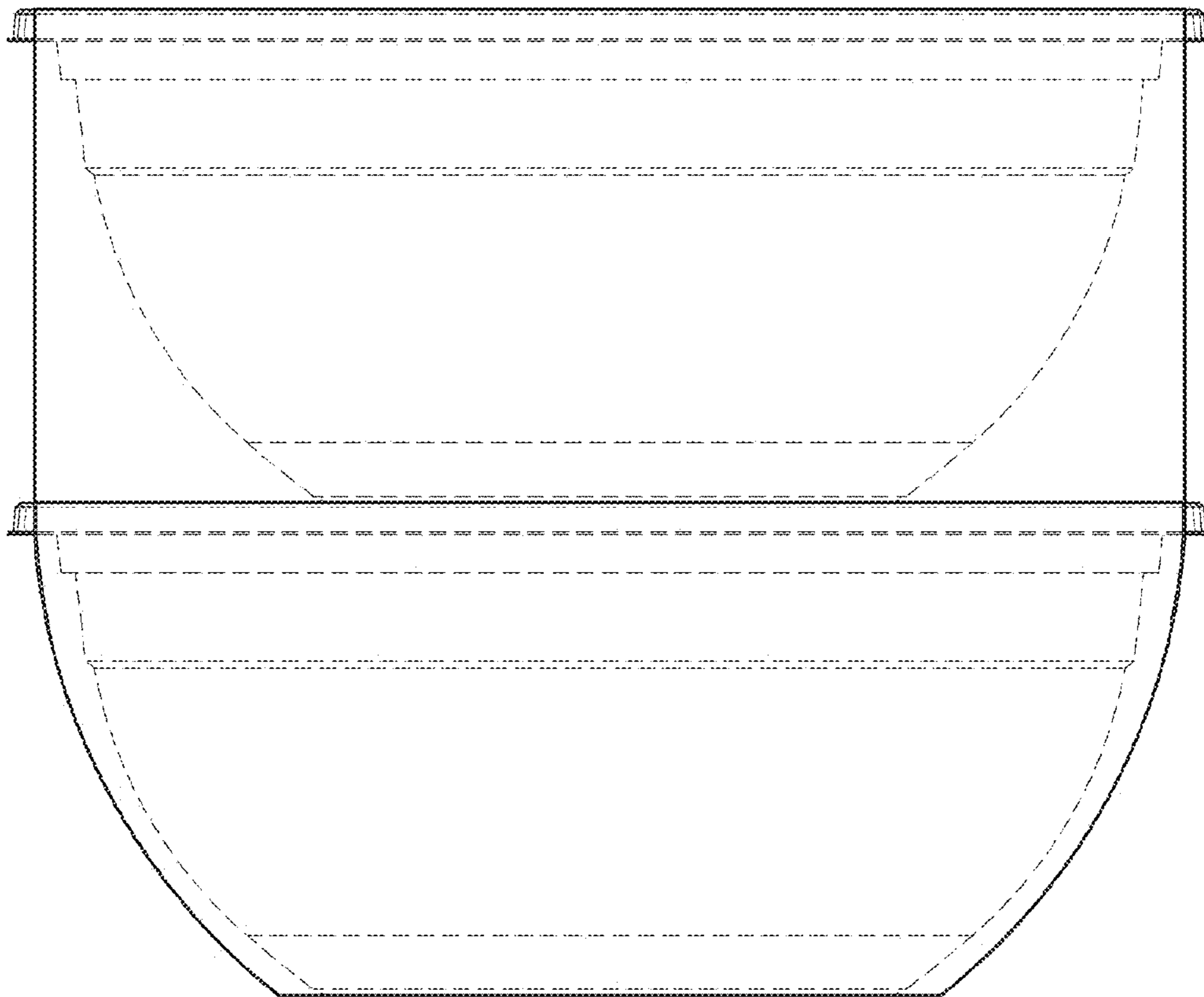


Fig.4

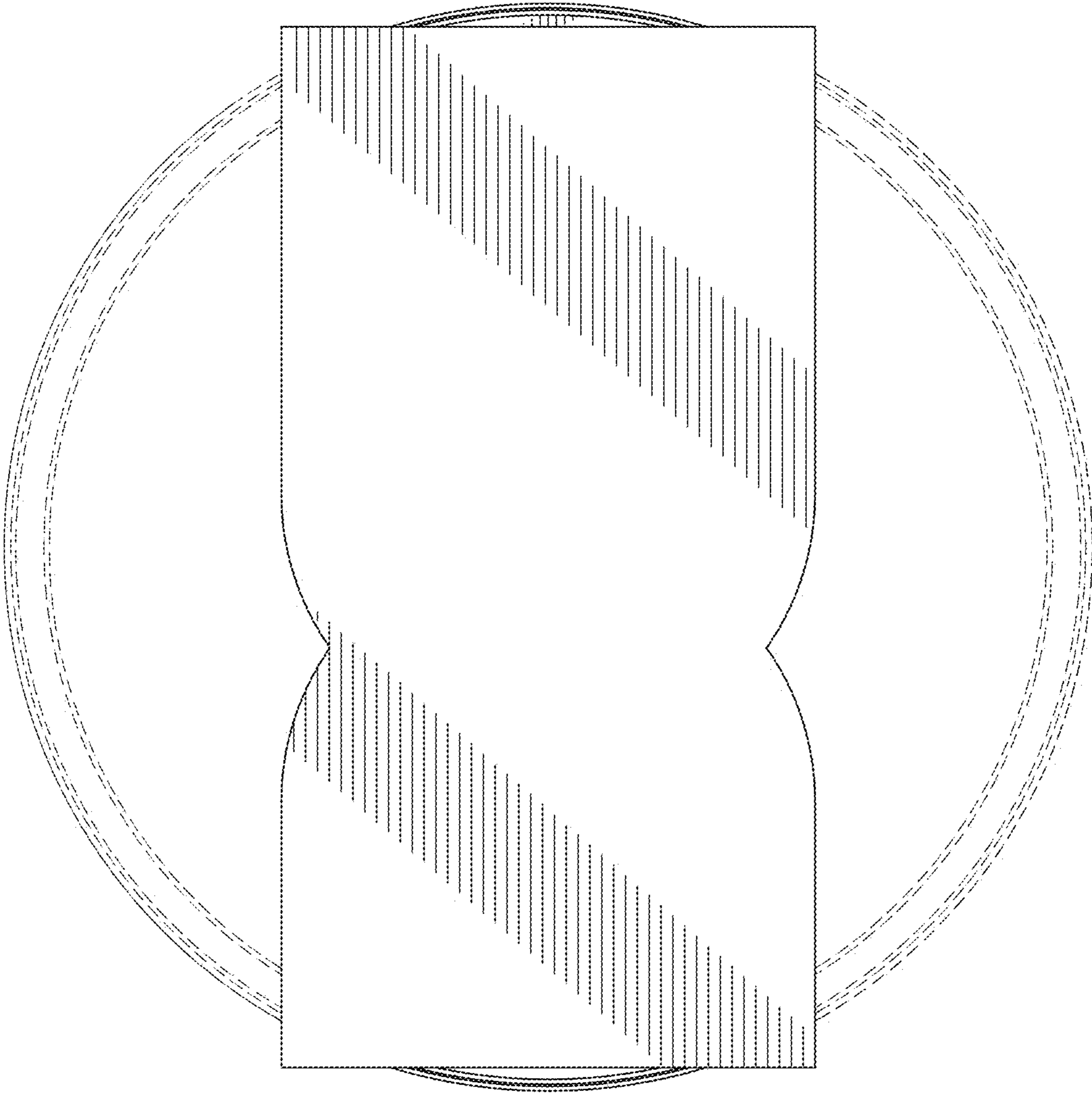


Fig.5

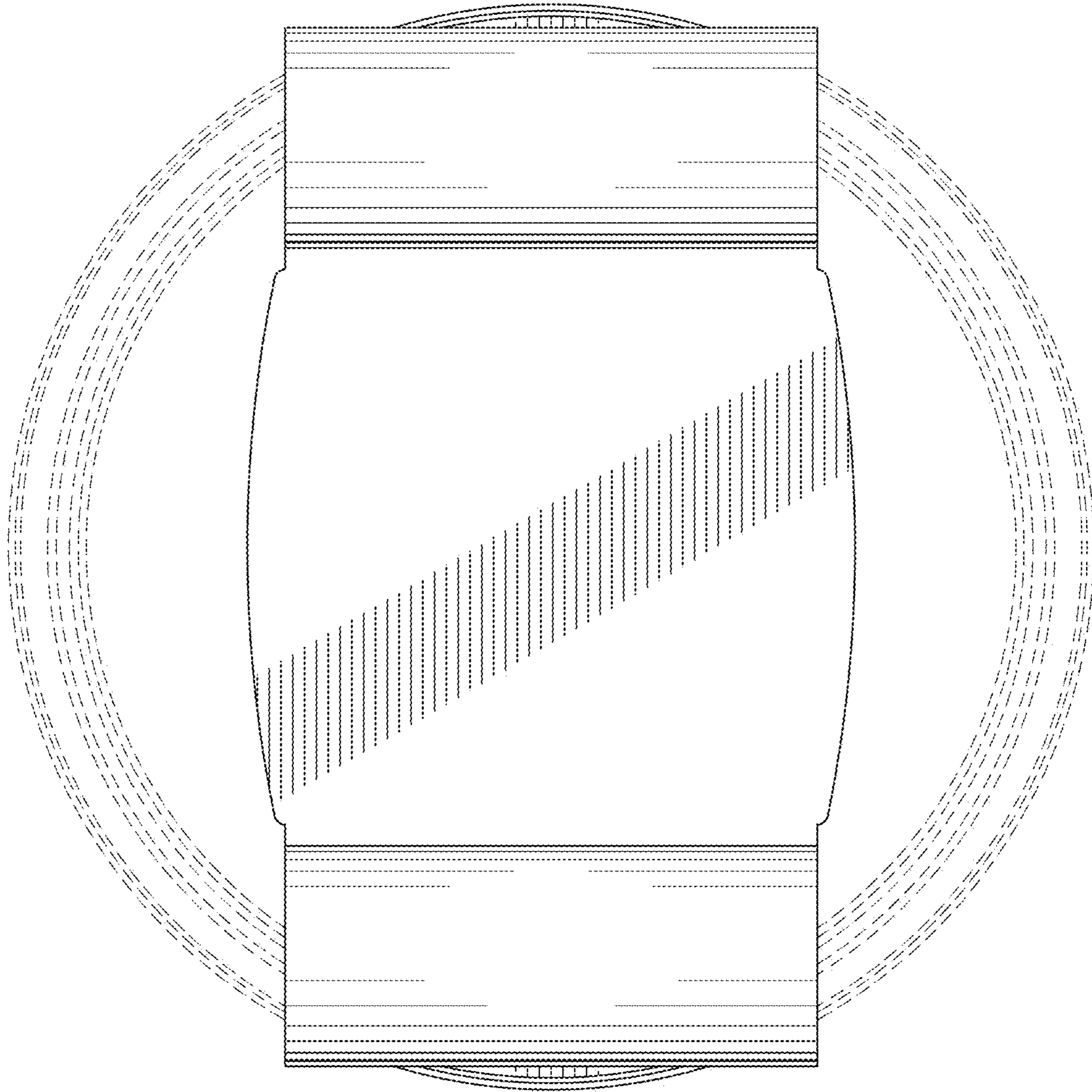


Fig. 6

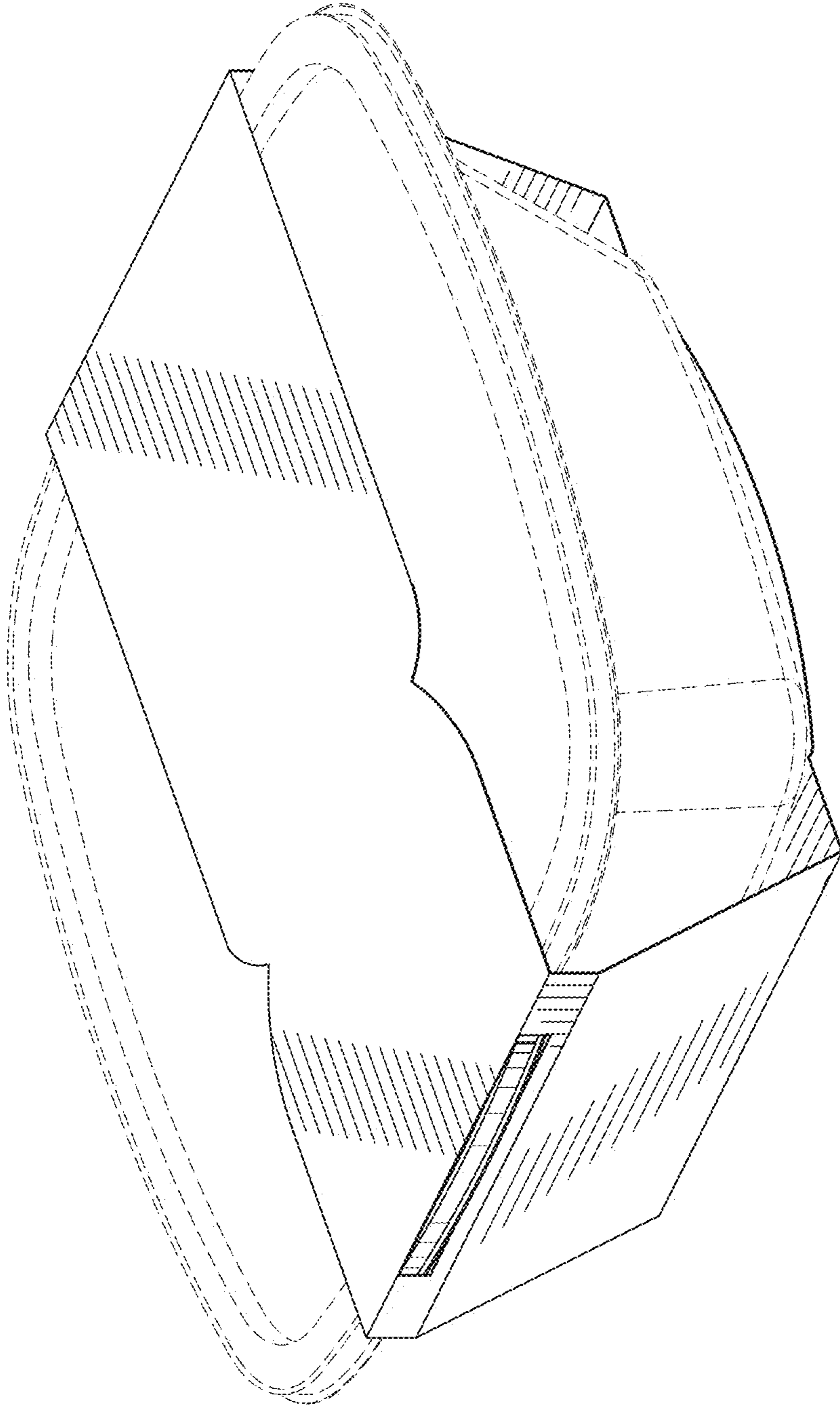


Fig. 7

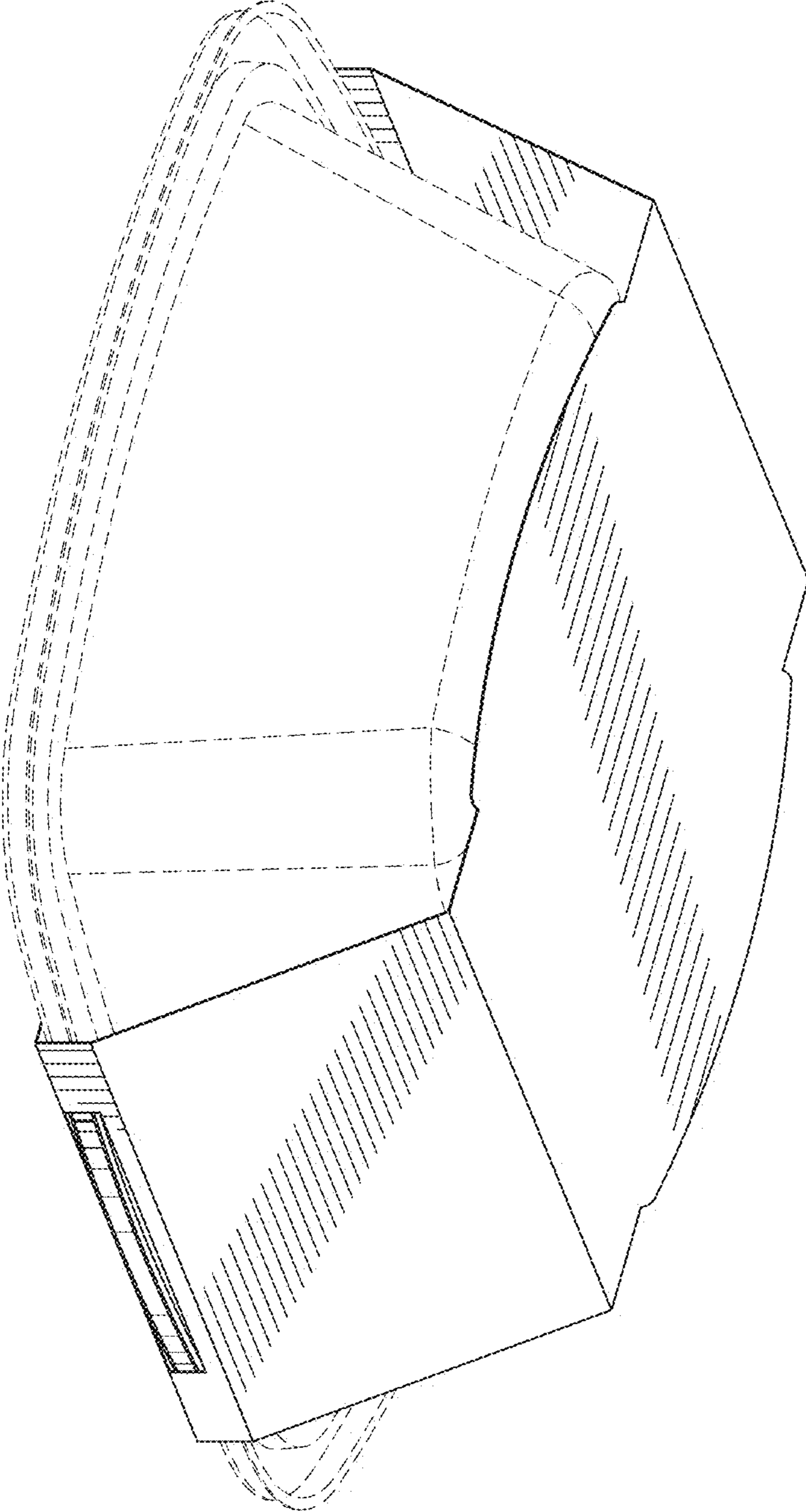


Fig. 8

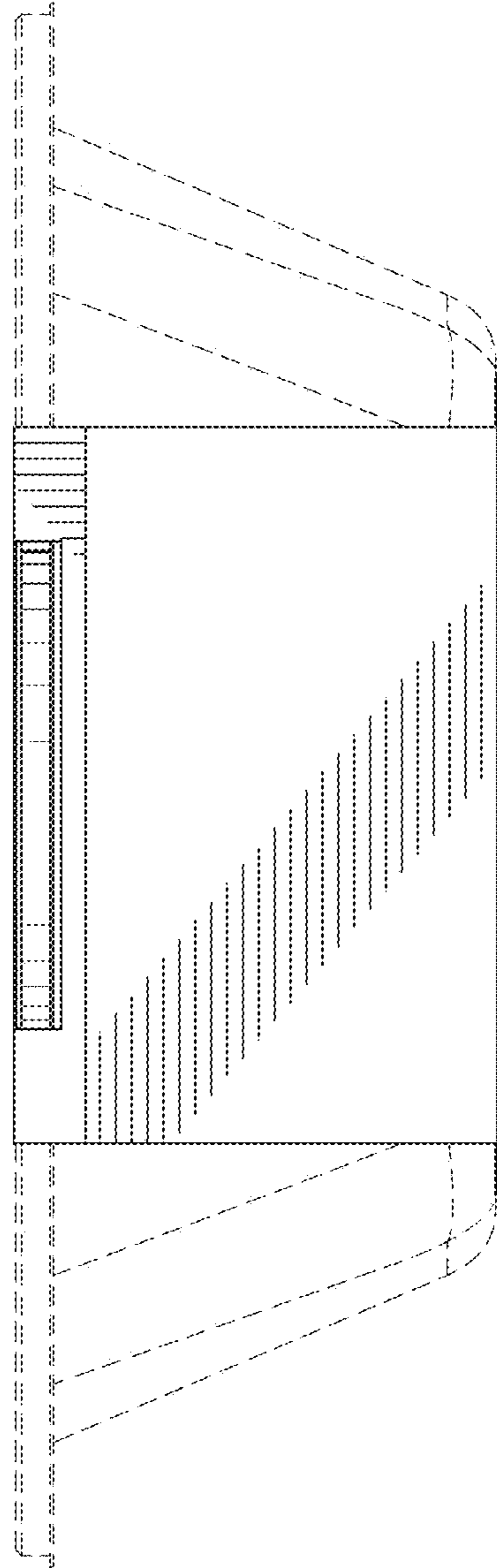


Fig. 9

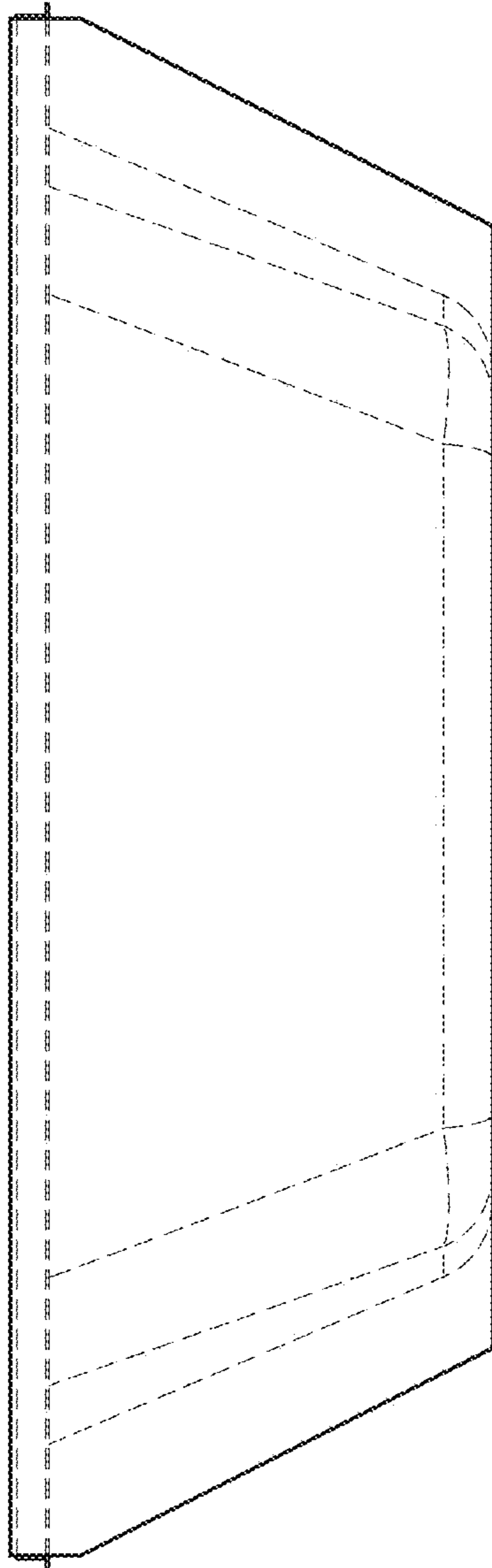


Fig. 10

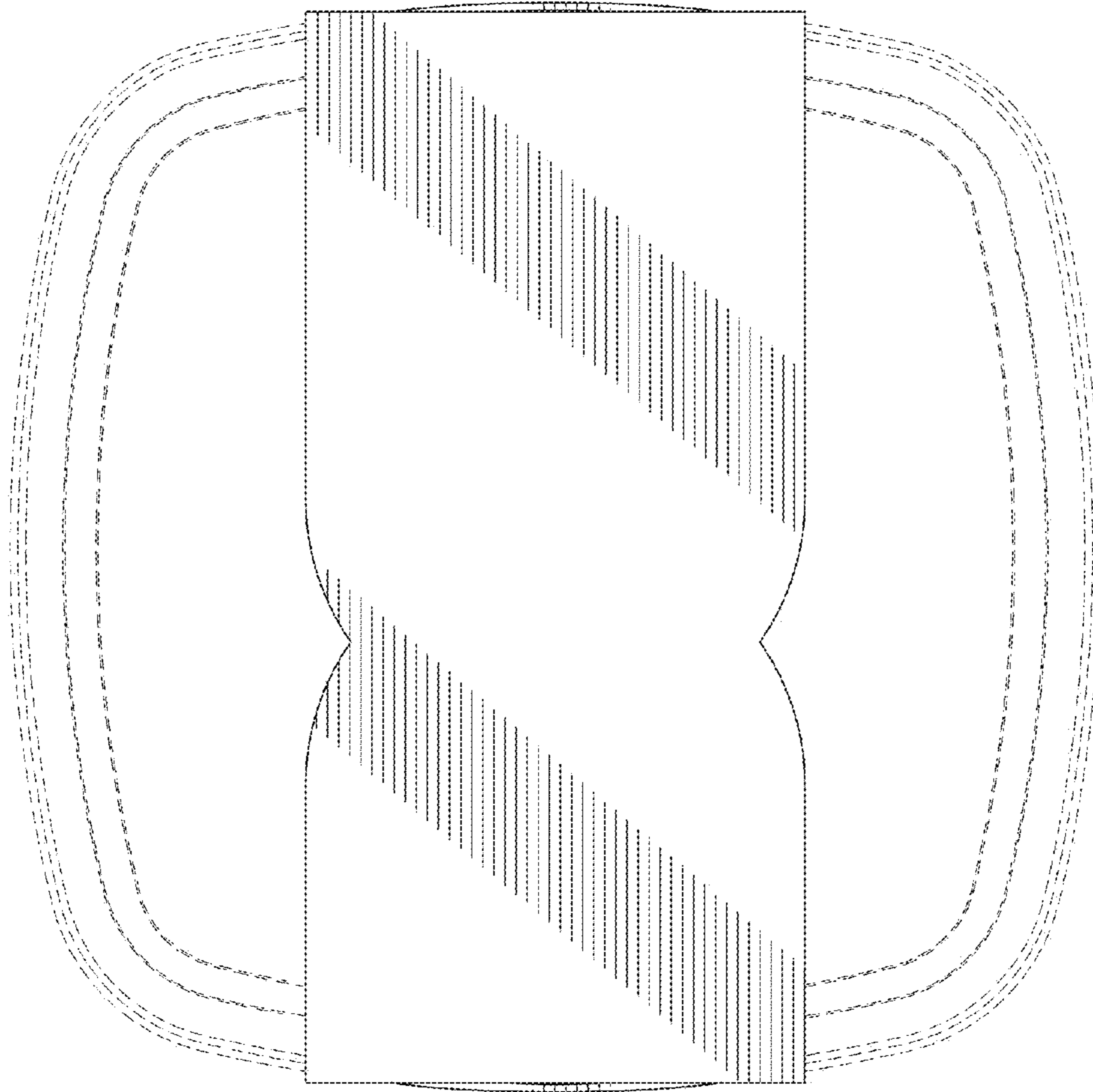


Fig. 11

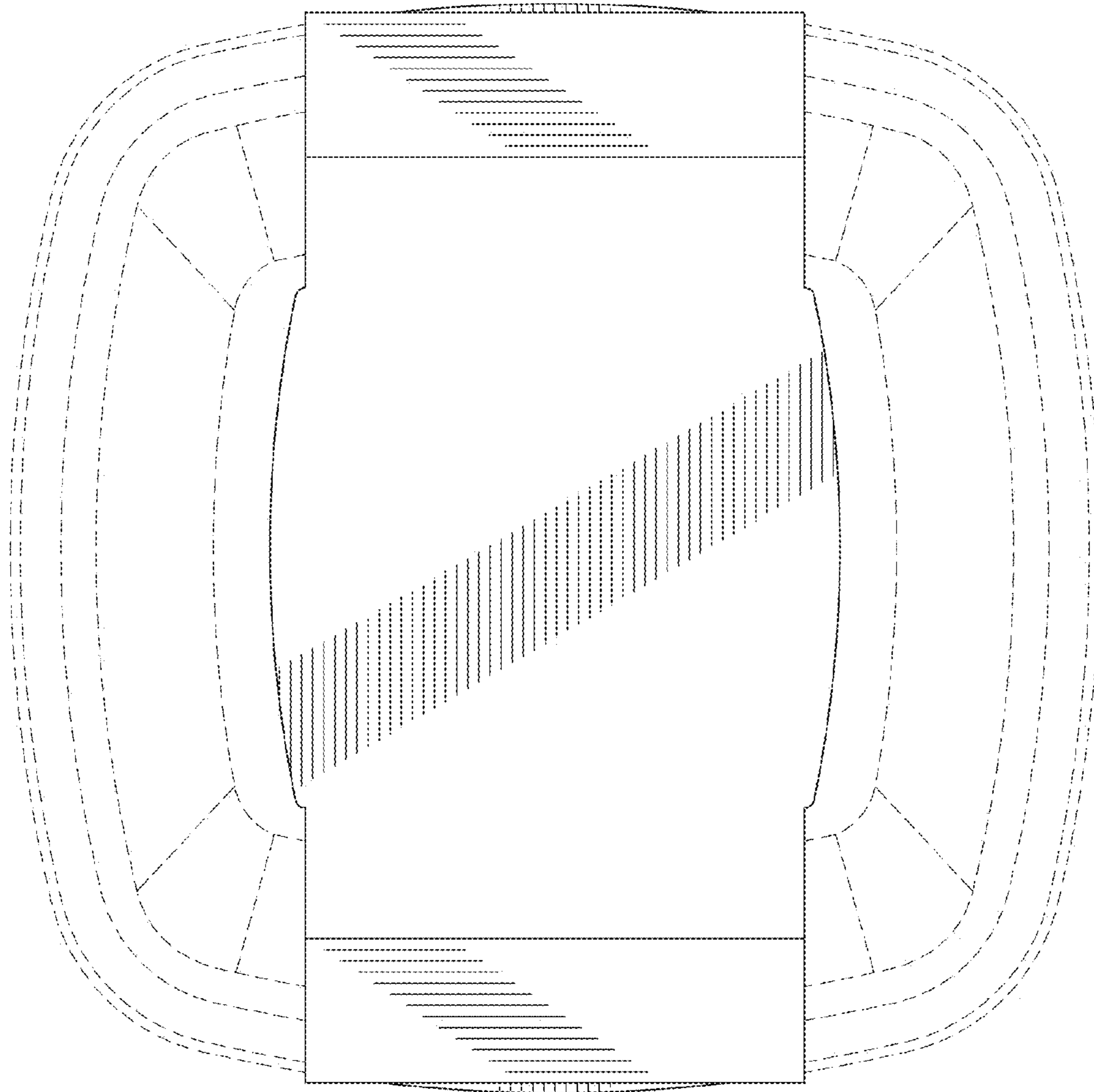


Fig. 12