



US00D766728S

(12) **United States Design Patent** (10) **Patent No.:** **US D766,728 S**
Seneca (45) **Date of Patent:** **** Sep. 20, 2016**

(54) **PACKAGING CONTAINER**
(71) Applicant: **AquaChemPacs, LLC**,
Feasterville-Treose, PA (US)
(72) Inventor: **Stephen R. Seneca**,
Feasterville-Treose, PA (US)
(73) Assignee: **AQUACHEMPACS, LLC**,
Feasterville-Treose, PA (US)
(**) Term: **15 Years**

(21) Appl. No.: **29/530,624**
(22) Filed: **Jun. 18, 2015**
(51) **LOC (10) Cl.** **09-01**
(52) **U.S. Cl.**
USPC **D9/600; D9/418**
(58) **Field of Classification Search**
USPC D3/270, 271.1-271.4; D7/514-520,
D7/599, 604, 613, 619.2, 623, 628;
D9/600, 702-710, 414-433; 206/457,
206/459.5, 527; 215/387-388, 381-384,
215/400; 229/150, 153, 116.4; 220/890
CPC .. B65D 5/4258; B65D 81/60; B65D 81/365;
B65D 81/366; B65D 81/368; B65D 2203/00;
B65D 2203/02; A63H 33/16
See application file for complete search history.

(56) **References Cited**
U.S. PATENT DOCUMENTS
D173,640 S * 12/1954 Cargill D9/600
D401,848 S * 12/1998 Chappell D9/600
D482,612 S * 11/2003 Hager D9/415

6,739,453 B1 * 5/2004 Mazurek B65D 5/321
206/461
D503,334 S * 3/2005 Keating D9/415
D639,167 S * 6/2011 Righi D9/600

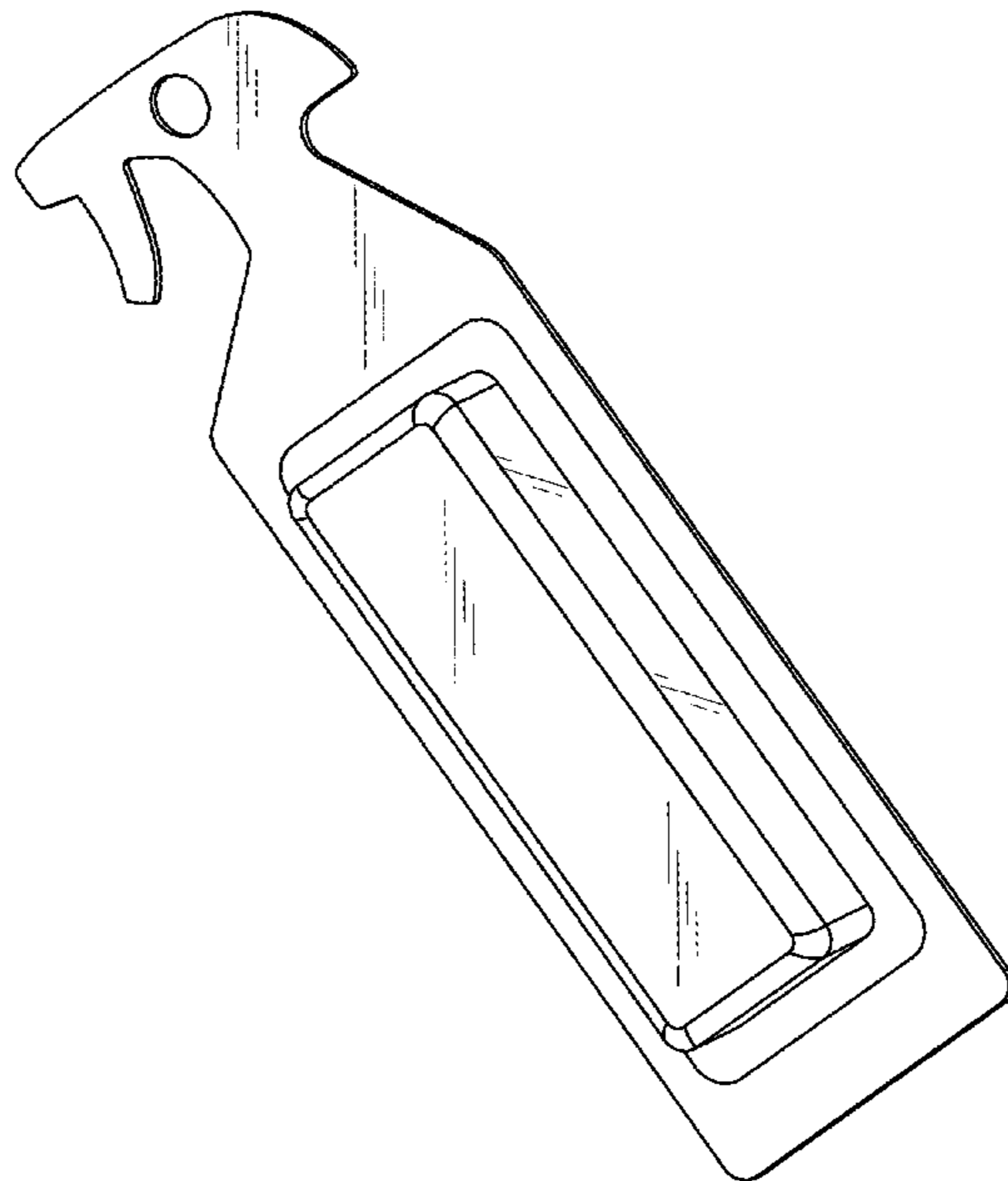
* cited by examiner
Primary Examiner — Sandra Morris
(74) *Attorney, Agent, or Firm* — Nilay J. Choksi; Smith & Hopen, P.A.

(57) **CLAIM**
The ornamental design for a packaging container, as shown and described.

DESCRIPTION

FIG. 1 is a perspective view of a packaging container, showing my novel design;
FIG. 2 is a front view thereof;
FIG. 3 is a rear view thereof;
FIG. 4 is a right side view thereof;
FIG. 5 is a left side view thereof;
FIG. 6 is an enlarged top plan view thereof;
FIG. 7 is an enlarged bottom plan view thereof;
FIG. 8 is a perspective view thereof, showing the container in use;
FIG. 9 is a perspective view of an alternative embodiment thereof;
FIG. 10 is a front view thereof;
FIG. 11 is a rear view thereof;
FIG. 12 is a right side view thereof;
FIG. 13 is a left side view thereof;
FIG. 14 is an enlarged top plan view thereof; and,
FIG. 15 is an enlarged bottom plan view thereof.
The matter delineated in broken lines forms no part of the claimed ornamental design.

1 Claim, 9 Drawing Sheets



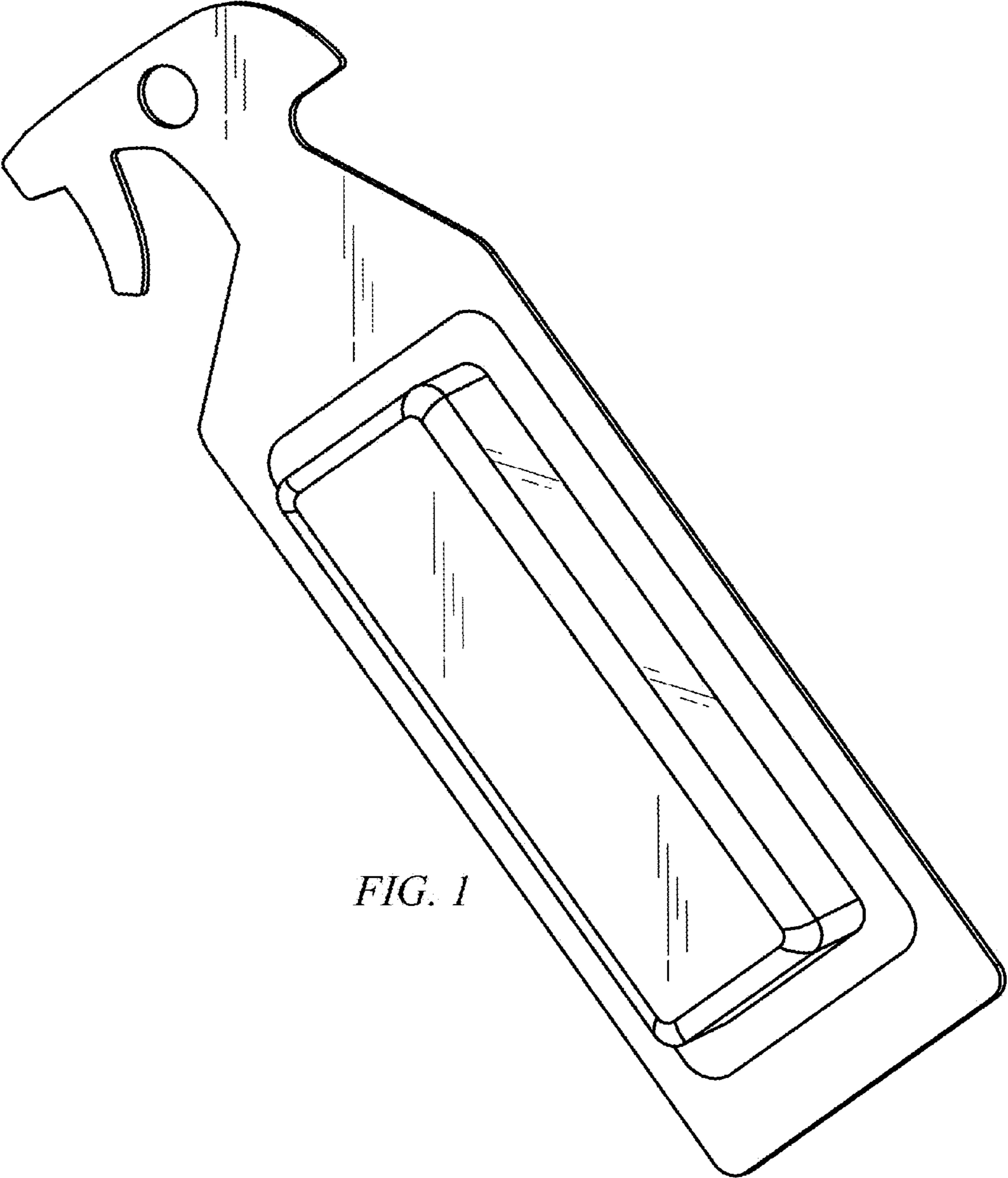


FIG. 1

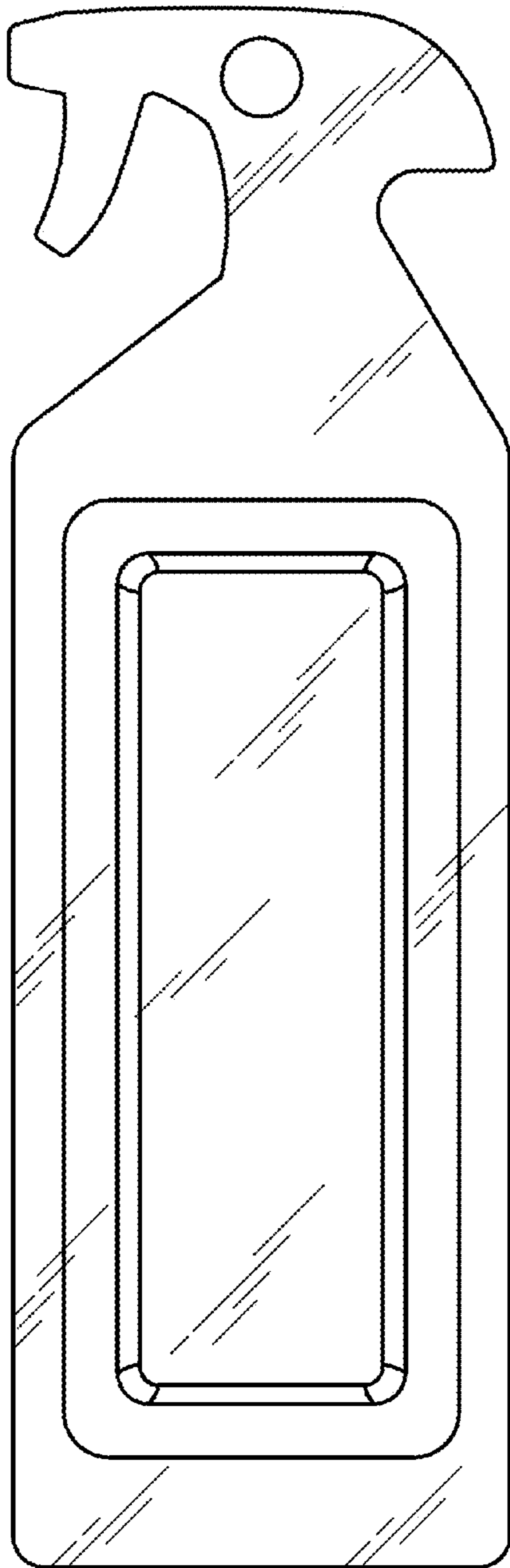


FIG. 2

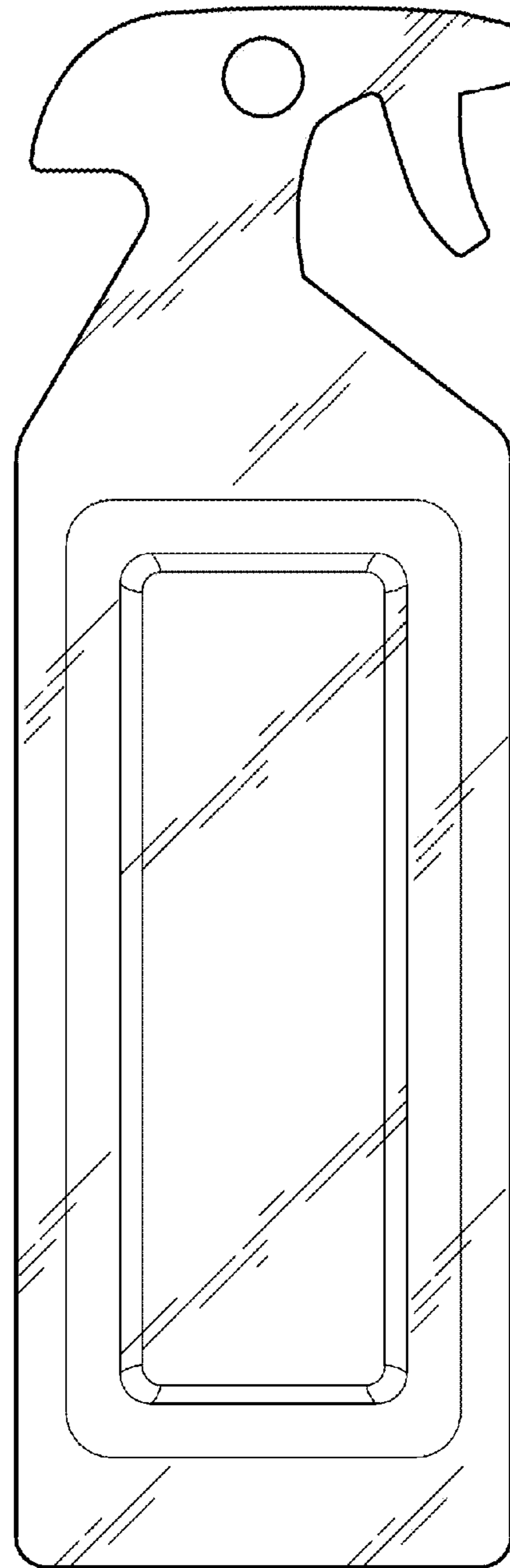


FIG. 3

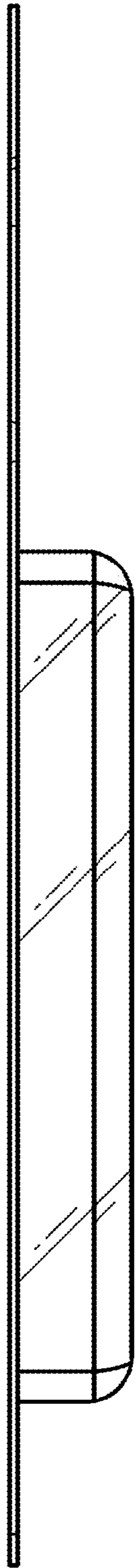


FIG. 4

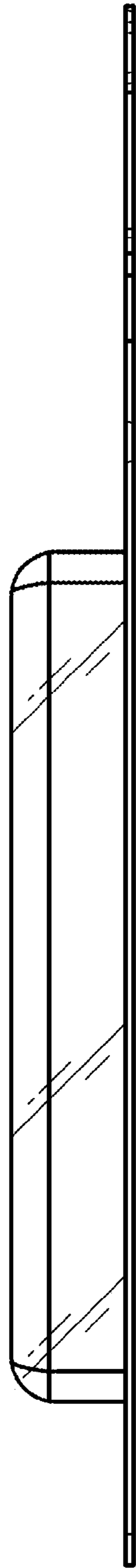


FIG. 5

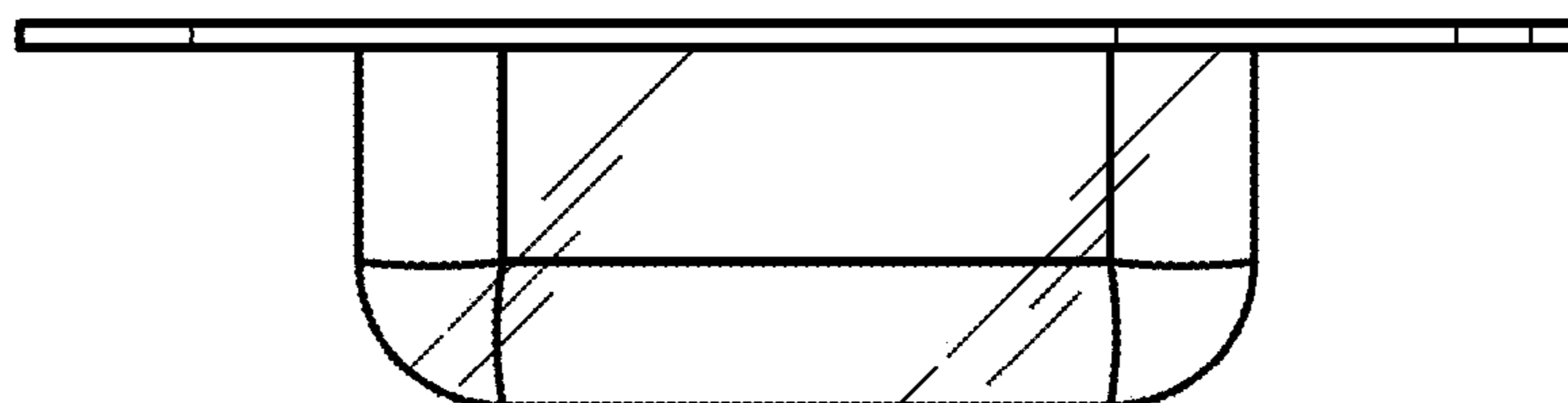


FIG. 6

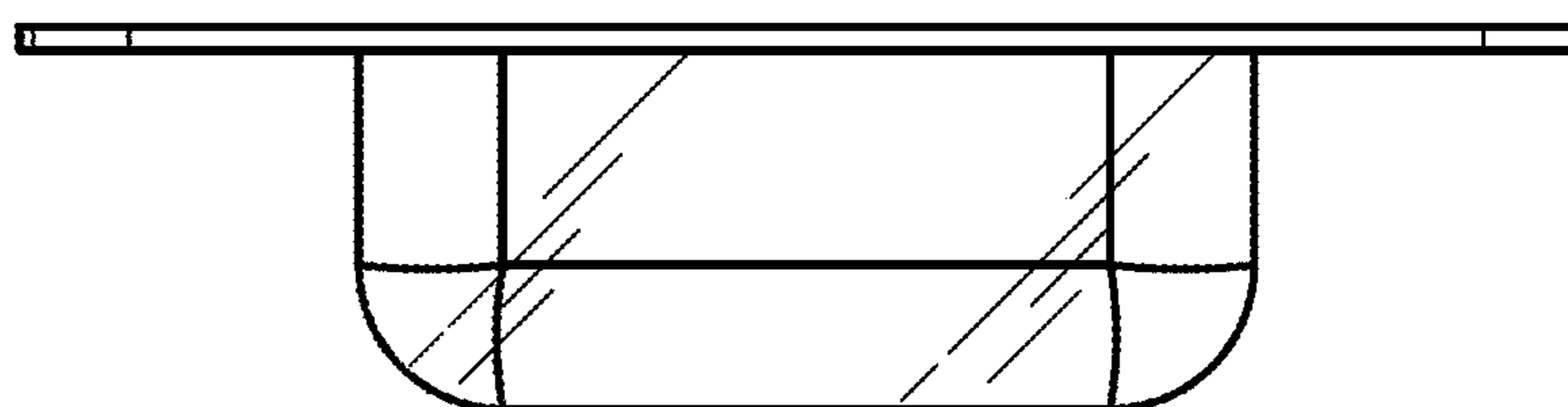


FIG. 7

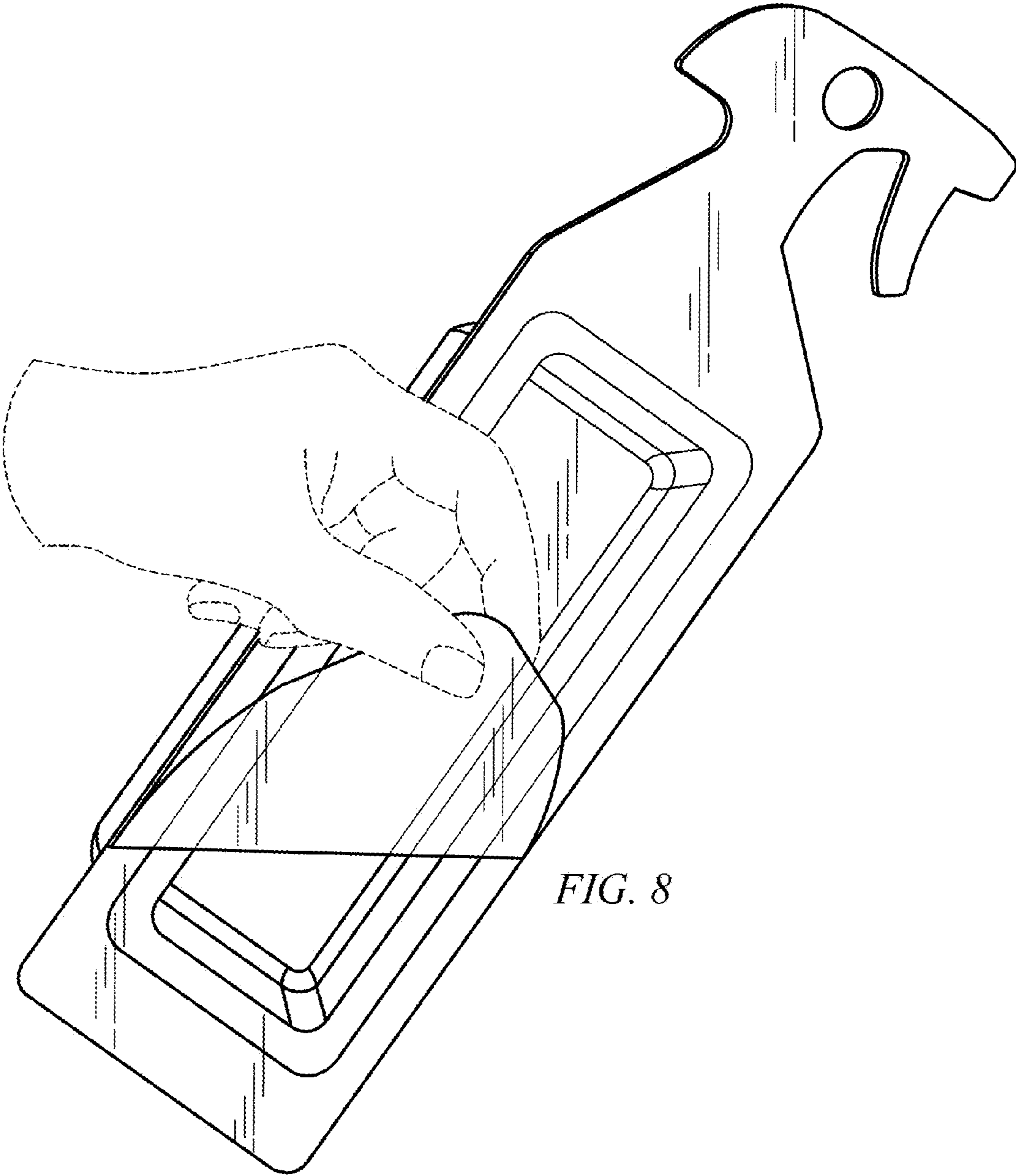


FIG. 8

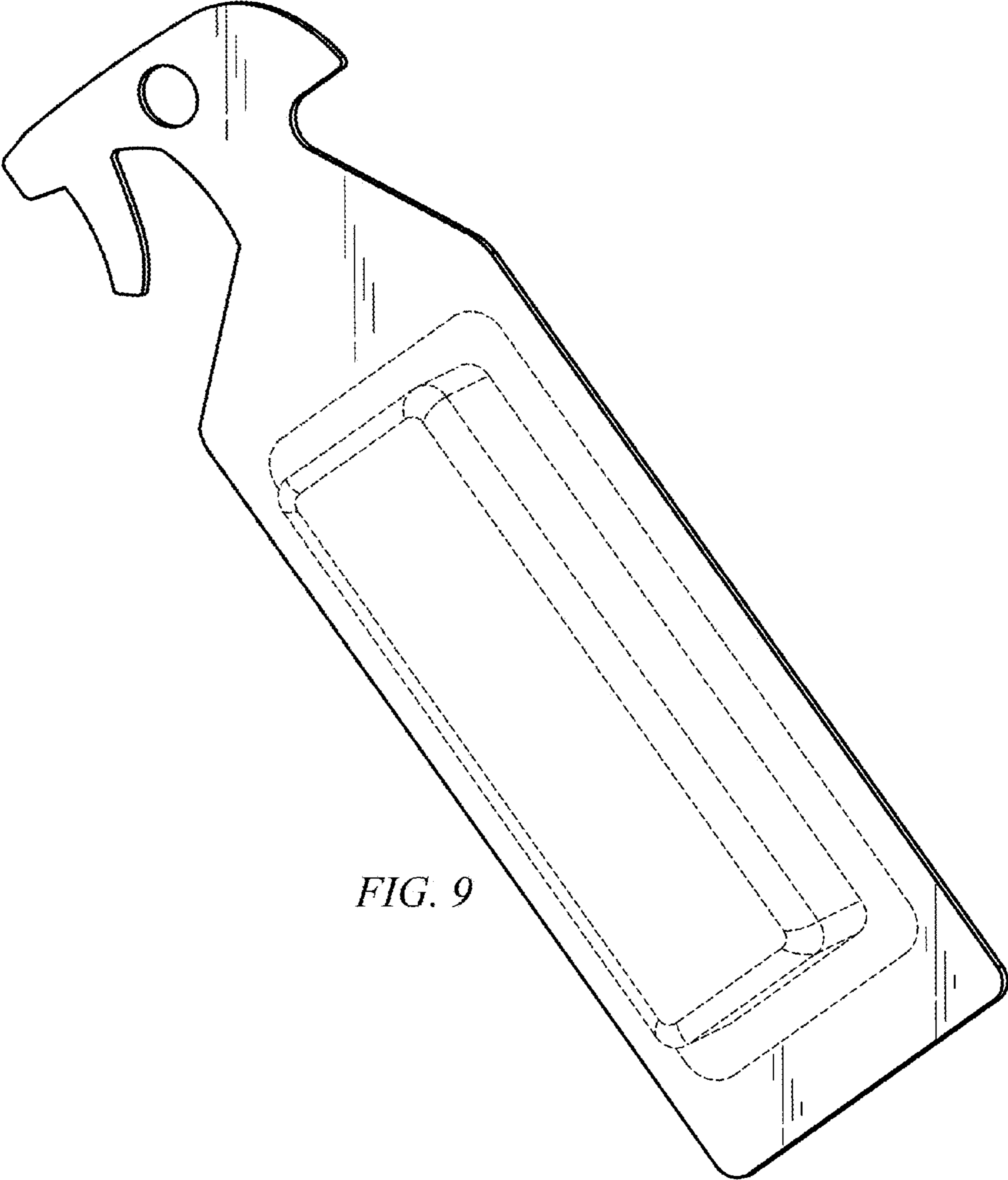


FIG. 9

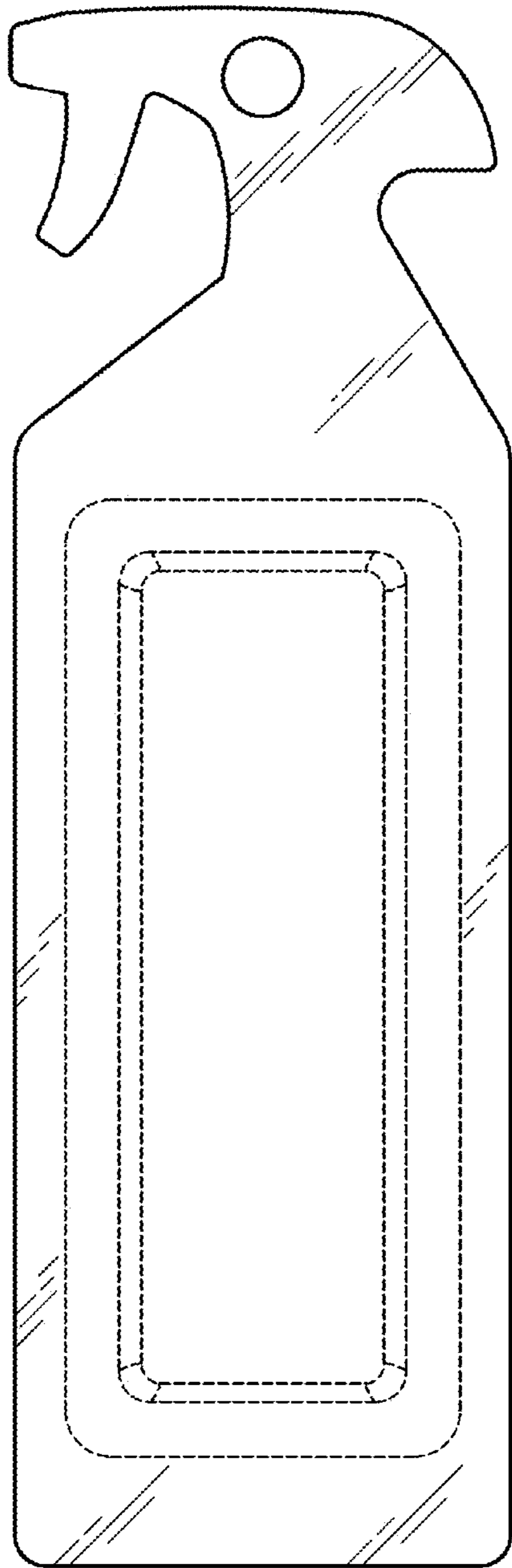


FIG. 10

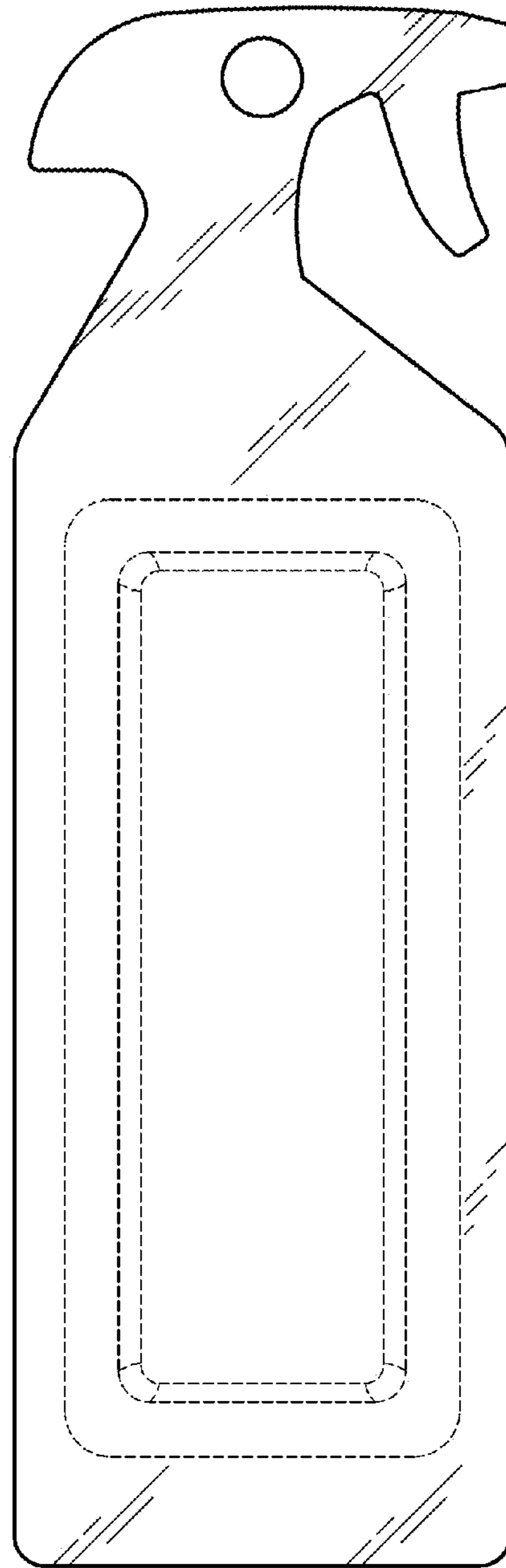


FIG. 11

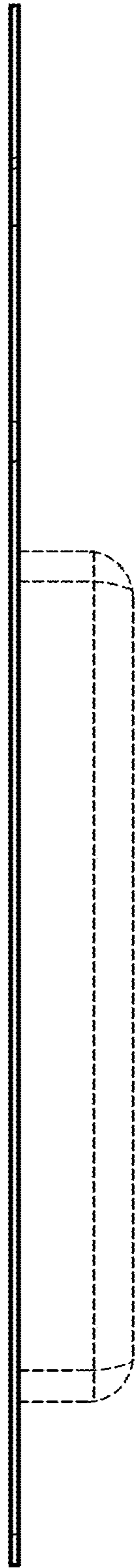


FIG. 12

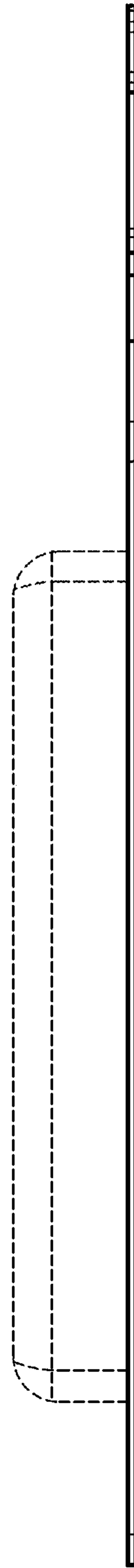


FIG. 13

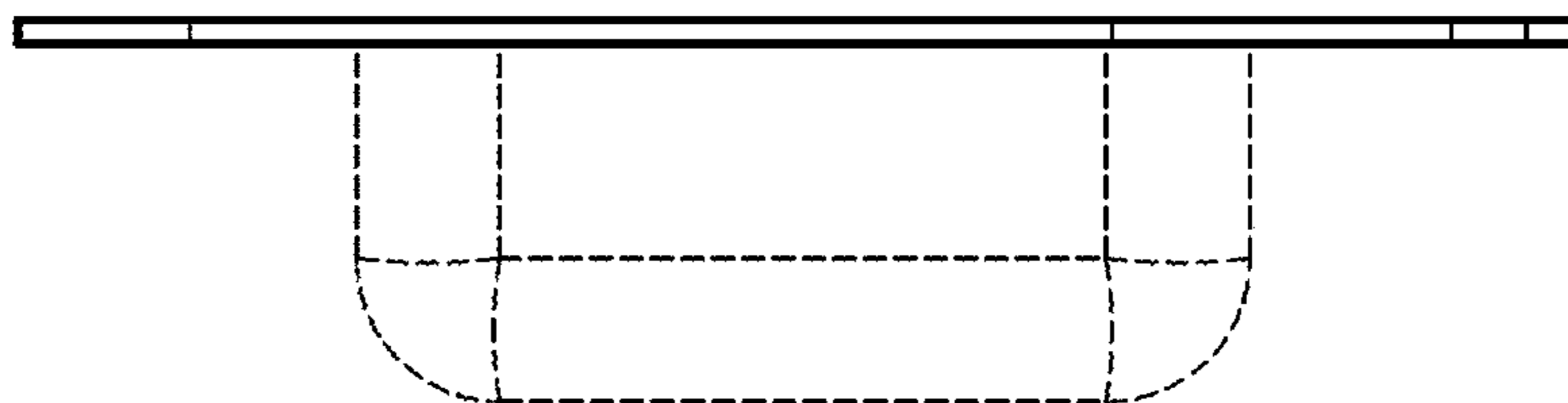


FIG. 14

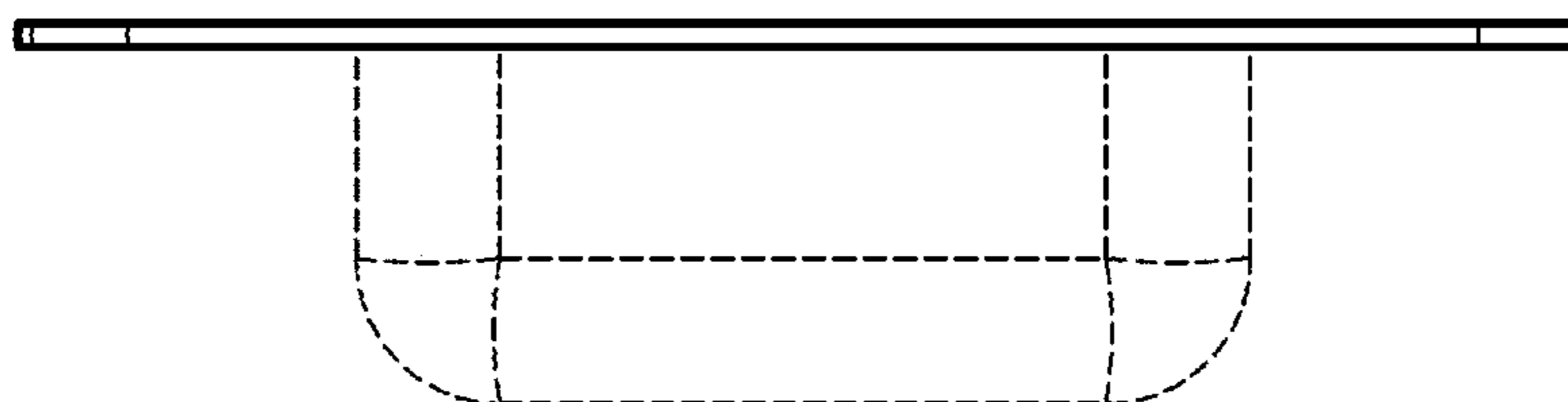


FIG. 15