

US00D766727S

(12) **United States Design Patent**
McCoy et al.

(10) **Patent No.:** **US D766,727 S**
(45) **Date of Patent:** **** Sep. 20, 2016**

(54) **BOTTLE**

- (71) Applicant: **CVS Pharmacy, Inc.**, Woonsocket, RI (US)
- (72) Inventors: **Ryan P. McCoy**, Falcon Heights, MN (US); **Stacy Abel**, Maple Grove, MN (US); **Matthew P. Franks**, Austin, MN (US); **Adam D. Hoppus**, Minneapolis, MN (US); **Duane Sawyer**, York, PA (US); **Gordon Beecroft**, Leola, PA (US); **John Vassallo**, Lititz, PA (US); **Michael Makhlof**, Lititz, PA (US)
- (73) Assignee: **CVS Pharmacy, Inc.**, Woonsocket, RI (US)
- (**) Term: **14 Years**
- (21) Appl. No.: **29/507,389**
- (22) Filed: **Oct. 27, 2014**

Related U.S. Application Data

- (63) Continuation of application No. 13/281,338, filed on Oct. 25, 2011, now Pat. No. 8,870,004.
- (51) **LOC (10) Cl.** **09-01**
- (52) **U.S. Cl.**
USPC **D9/547; D9/563; D9/574**
- (58) **Field of Classification Search**
USPC D9/431, 432, 434, 435, 436, 453, 454, D9/516, 560, 563, 567, 570, 572, 573, 574, D9/715, 719, 547; D3/203.1, 203.2; D7/591
CPC .. B65D 2501/0081; B65D 1/02; B65D 1/06; B65D 1/08; B65D 1/10; B65D 77/065; B65D 5/746; B65D 83/04
See application file for complete search history.

(56) **References Cited**

U.S. PATENT DOCUMENTS

- D11,149 S 4/1879 Hood
- D18,997 S 4/1889 Underhill

(Continued)

FOREIGN PATENT DOCUMENTS

- EP 146095 A2 6/1985
- EP 031636 A2 5/1989

(Continued)

OTHER PUBLICATIONS

Office Action from Canadian Patent Application No. 2,809,252, mailed Apr. 1, 2014 (2 pages).

(Continued)

Primary Examiner — Ian Simmons

Assistant Examiner — Keith Frank

(74) *Attorney, Agent, or Firm* — Patent Law Works LLP

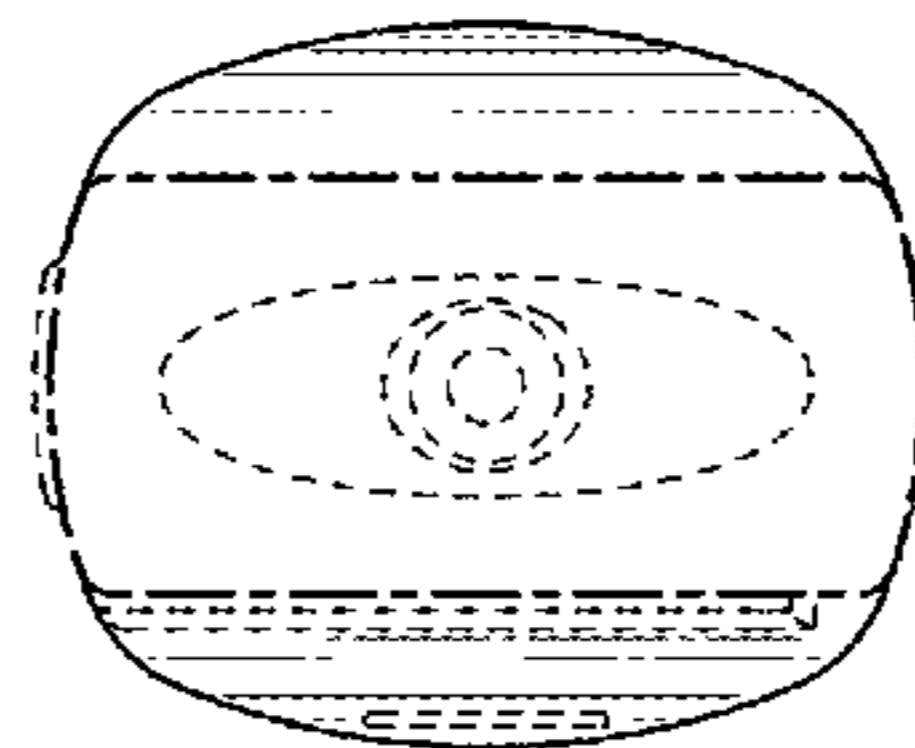
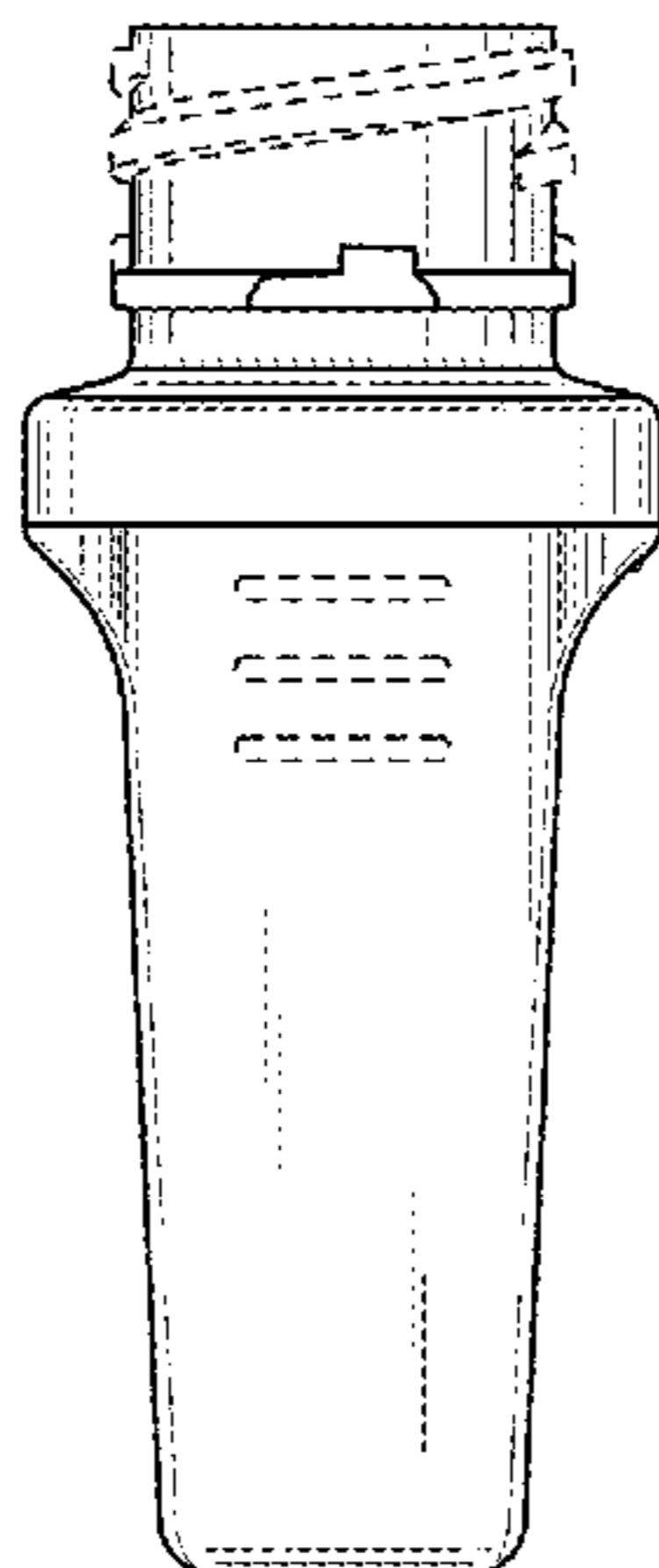
(57) **CLAIM**

The ornamental design for a bottle, as shown and described.

DESCRIPTION

FIG. 1 is a top, front, perspective view of a bottle showing our new design;
 FIG. 2 is a bottom, rear, perspective view thereof;
 FIG. 3 is a front view thereof;
 FIG. 4 is a rear view thereof;
 FIG. 5 is a right side view thereof;
 FIG. 6 is a left side view thereof;
 FIG. 7 is a top view thereof; and
 FIG. 8 is a bottom view thereof.
 FIG. 9 is a top, front, perspective view of the bottle of FIG. 1 with additional environmental subject matter illustrated in broken lines;
 FIG. 10 is a bottom, rear, perspective view thereof;
 FIG. 11 is a front view thereof;
 FIG. 12 is a rear view thereof;
 FIG. 13 is a right side view thereof;
 FIG. 14 is a left side view thereof;
 FIG. 15 is a top view thereof; and
 FIG. 16 is a bottom view thereof.
 The evenly spaced dash-dash broken lines in the drawings illustrate the portions of the bottle that form no part of the claimed design. The features shown in long dash-short dash bolded broken lines indicate the bounds of the claimed design and otherwise form no part of the claimed design.

1 Claim, 8 Drawing Sheets



(56)

References Cited

U.S. PATENT DOCUMENTS

493,851 A	3/1893	Adsit	5,758,440 A	6/1998	Yudin
D45,565 S	4/1914	Lloyd	D395,828 S	7/1998	Lecoule
1,499,612 A	7/1924	Hammer	5,779,072 A	7/1998	Krebs
1,815,268 A	7/1931	Newbery	5,800,144 A	9/1998	Glenn et al.
1,850,369 A	3/1932	Andrews	5,819,967 A	10/1998	Lo
1,993,978 A	3/1935	Plochman	5,836,465 A	11/1998	King
2,007,685 A	7/1935	Lyle	D402,550 S *	12/1998	Poisson D9/574
D128,282 S	7/1941	Gelinas et al.	5,887,736 A	3/1999	Mar
D132,185 S	4/1942	McIntosh	5,918,758 A	7/1999	Galton-Fenzi
2,528,259 A	10/1950	Annunziata	D413,067 S	8/1999	Haley
2,844,893 A	7/1958	Keller	5,980,352 A	11/1999	Rigberg
2,920,777 A	1/1960	Cole	D419,077 S	1/2000	Sultan
2,995,265 A	8/1961	Soderberg	6,016,930 A	1/2000	Mathes et al.
3,256,978 A	6/1966	Srigley et al.	D423,361 S	4/2000	Negre
3,331,521 A	7/1967	Paige	D425,427 S	5/2000	Heeter et al.
3,423,861 A	1/1969	Forsyth	6,068,300 A	5/2000	Vijuk et al.
3,437,194 A	4/1969	Ames et al.	D427,073 S	6/2000	Gaffney et al.
3,464,576 A	9/1969	Rhode	6,086,702 A	7/2000	Rea
D230,137 S	1/1974	Bettonica	6,089,180 A	7/2000	Nichols, Jr.
3,850,326 A	11/1974	Ryles	6,105,801 A	8/2000	Minnette
3,901,400 A	8/1975	Westfall	D430,802 S	9/2000	Adachi et al.
4,099,639 A	7/1978	Boxer et al.	6,209,921 B1	4/2001	Hogan et al.
4,143,786 A	3/1979	Goldberg et al.	D445,338 S	7/2001	Helleu
4,238,033 A	12/1980	Artzt	D447,694 S	9/2001	Leggett
D266,146 S *	9/1982	Morris D9/542	D451,809 S	12/2001	Jones
D269,315 S *	6/1983	Conti D7/591	6,360,462 B1	3/2002	Mengel
D270,998 S	10/1983	Stark	D456,271 S	4/2002	Maloney
4,428,384 A	1/1984	Raitto	D457,063 S	5/2002	Bakic
4,482,068 A	11/1984	Agbay et al.	6,386,367 B1	5/2002	Bayliss, IV
D280,601 S	9/1985	Biesecker	D459,212 S	6/2002	Gobe
D281,228 S *	11/1985	Morgan D9/542	D470,051 S	2/2003	Bloom et al.
D282,909 S	3/1986	Biesecker	D470,415 S	2/2003	Weber
D285,535 S	9/1986	Buchholz et al.	6,549,345 B1	4/2003	Cardarelli
4,640,031 A	2/1987	Hoek et al.	D474,690 S	5/2003	Bakic
D293,034 S *	12/1987	duCret D28/7	6,594,928 B1	7/2003	Clawson et al.
D295,954 S	5/1988	Kirchhoff	D480,002 S	9/2003	Canepa
4,802,438 A	2/1989	DeJonge	D480,005 S	9/2003	Conway
D300,119 S	3/1989	Pacquin	D480,960 S	10/2003	Gray et al.
4,881,648 A	11/1989	Hagerty	D481,165 S	10/2003	Angeletta
D305,505 S	1/1990	Kunesh	D485,764 S	1/2004	Bakic
4,913,083 A	4/1990	Valvo et al.	6,681,945 B1	1/2004	Harrold
4,919,285 A	4/1990	Roof et al.	6,698,605 B2	3/2004	Clodfelter et al.
D312,776 S	12/1990	Tacconelli	6,722,495 B2	4/2004	Fresnel
D319,181 S	8/1991	Balavich	D489,622 S *	5/2004	Weber D9/529
D323,780 S	2/1992	Addante	D497,311 S	10/2004	Walsh et al.
D324,994 S	3/1992	Jentgen	6,854,613 B2	2/2005	Biesecker et al.
D328,246 S	7/1992	Nottingham et al.	6,860,513 B2	3/2005	Kaufman
5,145,080 A	9/1992	Imbery et al.	6,871,752 B2	3/2005	Montgomery
5,165,546 A	11/1992	Jaeger et al.	D511,456 S	11/2005	Forte
5,172,936 A	12/1992	Sullivan et al.	6,964,345 B2	11/2005	Wetherell, Jr. et al.
D333,618 S	3/1993	Patel et al.	D520,365 S	5/2006	Andoh
D333,882 S *	3/1993	Yazaki D28/7	D522,867 S	6/2006	Bakic
5,204,775 A	4/1993	McDevitt	7,061,831 B2	6/2006	De La Huerga
5,213,225 A	5/1993	King et al.	D526,569 S	8/2006	Wurster et al.
D342,452 S	12/1993	Monaghan	7,128,227 B2	10/2006	Skillin et al.
D343,360 S	1/1994	Poo	D537,349 S	2/2007	Ball et al.
5,301,840 A	4/1994	Sun	D539,651 S	4/2007	Snyder
5,309,279 A	5/1994	Halstead	D540,179 S	4/2007	Adler et al.
D350,691 S	9/1994	Simion	D540,690 S	4/2007	Adler et al.
D351,796 S	10/1994	Deddens	D541,159 S	4/2007	Robinson
D355,125 S	2/1995	Patel et al.	D542,661 S	5/2007	Adler et al.
D355,126 S	2/1995	Paulovich et al.	7,222,736 B1 *	5/2007	Seijas A61J 7/04 116/308
D355,363 S	2/1995	Iorii et al.	7,225,937 B2	6/2007	Schroeder
D360,134 S	7/1995	Snyder	D550,571 S	9/2007	Diaz
5,495,944 A	3/1996	Lermer	D554,999 S	11/2007	Nukuto et al.
D370,636 S	6/1996	Crawford	D555,498 S	11/2007	Bansal
5,632,420 A	5/1997	Lohrman et al.	7,311,205 B2	12/2007	Adler et al.
5,662,224 A	9/1997	Nogues	D559,117 S	1/2008	Nukuto et al.
5,662,239 A	9/1997	Heuvelman	7,320,483 B2	1/2008	Eippert
5,697,173 A	12/1997	McCarrick et al.	D561,034 S *	2/2008	Francis D9/530
5,699,922 A	12/1997	Harding	D566,330 S	4/2008	Angeletta
D389,064 S	1/1998	Sethi et al.	D572,593 S	7/2008	Adler et al.
5,711,442 A	1/1998	Kusz	D574,171 S	8/2008	Adler et al.
5,713,681 A	2/1998	Venne et al.	D574,717 S *	8/2008	Adler D9/563
5,718,347 A	2/1998	Walker et al.	7,413,082 B2	8/2008	Adler et al.
			D581,275 S	11/2008	Adler et al.
			D583,242 S	12/2008	Adler et al.

(56)

References Cited

U.S. PATENT DOCUMENTS

D590,721 S * 4/2009 Martinez De San Vicente D9/520
 D594,336 S 6/2009 Adler
 D597,841 S 8/2009 Adler et al.
 7,621,413 B2 11/2009 Miota et al.
 7,628,427 B2 12/2009 Adler et al.
 D607,326 S 1/2010 Branson et al.
 7,661,533 B2 2/2010 Adler et al.
 D616,303 S 5/2010 Gonzalez
 D620,356 S 7/2010 Greenfield
 D623,518 S 9/2010 Camomile
 7,942,451 B2 5/2011 Adler
 7,980,391 B2 7/2011 Adler et al.
 8,025,314 B2 9/2011 Adler
 8,051,999 B2 11/2011 Carmody et al.
 8,210,351 B2 * 7/2012 Miceli B65D 1/0246
 206/459.5
 8,240,491 B2 8/2012 Beecroft et al.
 8,281,929 B2 * 10/2012 Franks B65D 23/14
 206/459.5
 D673,852 S 1/2013 Wood et al.
 D675,097 S 1/2013 Burke, Jr.
 8,371,463 B2 2/2013 Beecroft
 D679,994 S 4/2013 Dahl
 D681,465 S 5/2013 Cox et al.
 8,534,220 B1 9/2013 Olson
 D691,473 S 10/2013 Smith et al.
 D714,146 S 9/2014 King
 D723,919 S 3/2015 Taber et al.
 2001/0017817 A1 8/2001 De La Huerga
 2002/0126585 A1 9/2002 Osberg et al.
 2002/0129758 A1 9/2002 Hanley et al.
 2003/0025320 A1 2/2003 Shoemaker
 2003/0205897 A1 11/2003 Kaufman
 2003/0214129 A1 11/2003 Adler
 2004/0045863 A1 3/2004 Rhoades
 2004/0169000 A1 9/2004 Ramsey
 2004/0232023 A1 11/2004 Bansal et al.
 2005/0029154 A1 2/2005 Kahn et al.
 2005/0121406 A1 6/2005 Brozell et al.
 2005/0150857 A1 7/2005 Brozell et al.
 2005/0205513 A1 9/2005 Hidding
 2006/0163103 A1 7/2006 Adler et al.

2006/0163110 A1 * 7/2006 Adler B65D 1/0223
 206/534
 2006/0163869 A1 7/2006 Adler et al.
 2006/0213860 A1 9/2006 Robinson
 2006/0273063 A1 12/2006 Borger
 2007/0029788 A1 2/2007 Adler
 2007/0102316 A1 5/2007 Van Der Krogt et al.
 2008/0017602 A1 1/2008 Adler et al.
 2009/0026104 A1 1/2009 Cassidy
 2009/0050514 A1 2/2009 Devaux-Day
 2009/0127157 A1 5/2009 Costa et al.
 2009/0140513 A1 * 6/2009 Priebe A61J 1/03
 283/81
 2009/0283492 A1 11/2009 Molinaro et al.
 2009/0301985 A1 12/2009 Priebe et al.
 2010/0038279 A1 2/2010 Estep
 2010/0051572 A1 3/2010 Beecroft et al.
 2010/0147732 A1 6/2010 Delagrangue et al.
 2010/0313527 A1 12/2010 Jajoo et al.
 2010/0314351 A1 12/2010 Hoefling
 2011/0006030 A1 1/2011 Branson et al.
 2013/0097973 A1 * 4/2013 McCoy B65D 1/02
 53/467
 2015/0014269 A1 1/2015 Gillman
 2015/0122767 A1 5/2015 Mettu et al.
 2015/0129531 A1 5/2015 Gatton et al.

FOREIGN PATENT DOCUMENTS

EP 0609955 B1 4/1998
 EP 0924676 A2 6/1999
 GB 2006713 A 5/1979
 GB 2126565 A 3/1984
 JP 10297640 11/1998
 WO 00/64676 11/2000
 WO 03/098275 A2 11/2003

OTHER PUBLICATIONS

Office Action from Canadian Patent Application No. 2,76,779, mailed May 25, 2012 (2 pages).
 Office Action from Canadian Patent Application No. 2,809,252, mailed Jul. 8, 2013 (2 pages).
 Office Action from Canadian Patent Application No. 2,769,779, mailed Sep. 29, 2012 (3 pages).
 Photographs of Advil® Bottle and CR Cap, available at least one year prior to Oct. 25, 2011 (1 page).

* cited by examiner

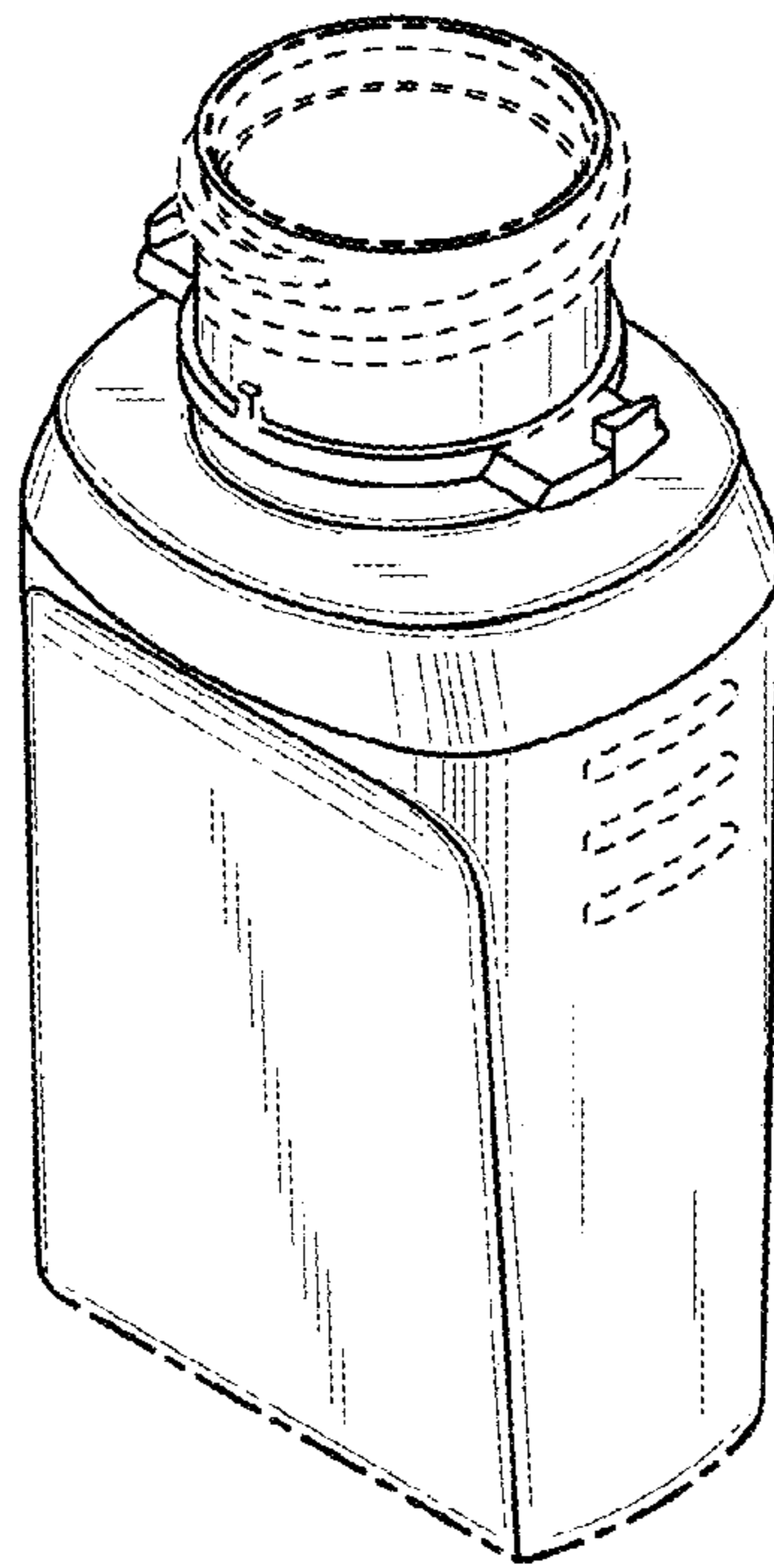


Fig. 1

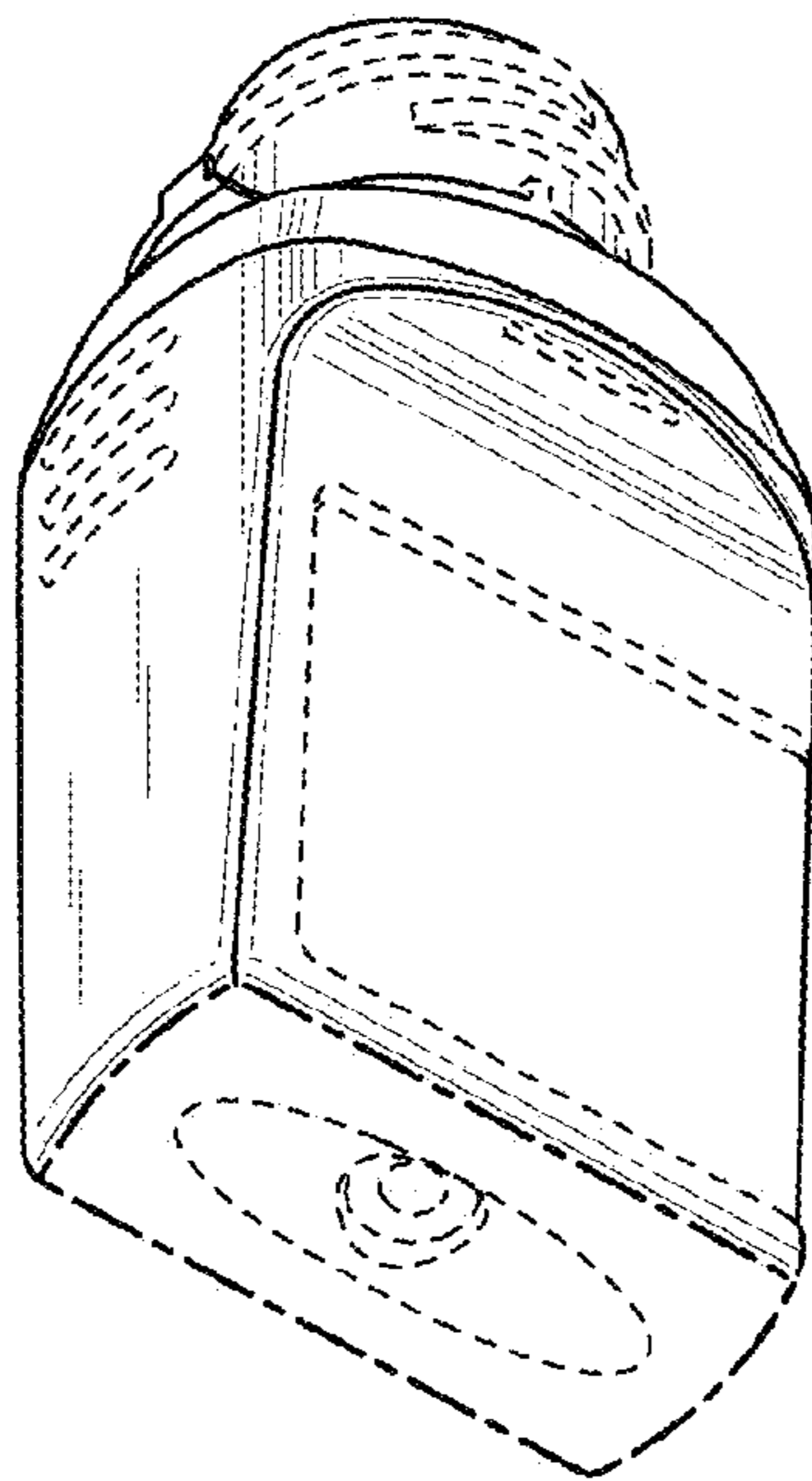


Fig. 2

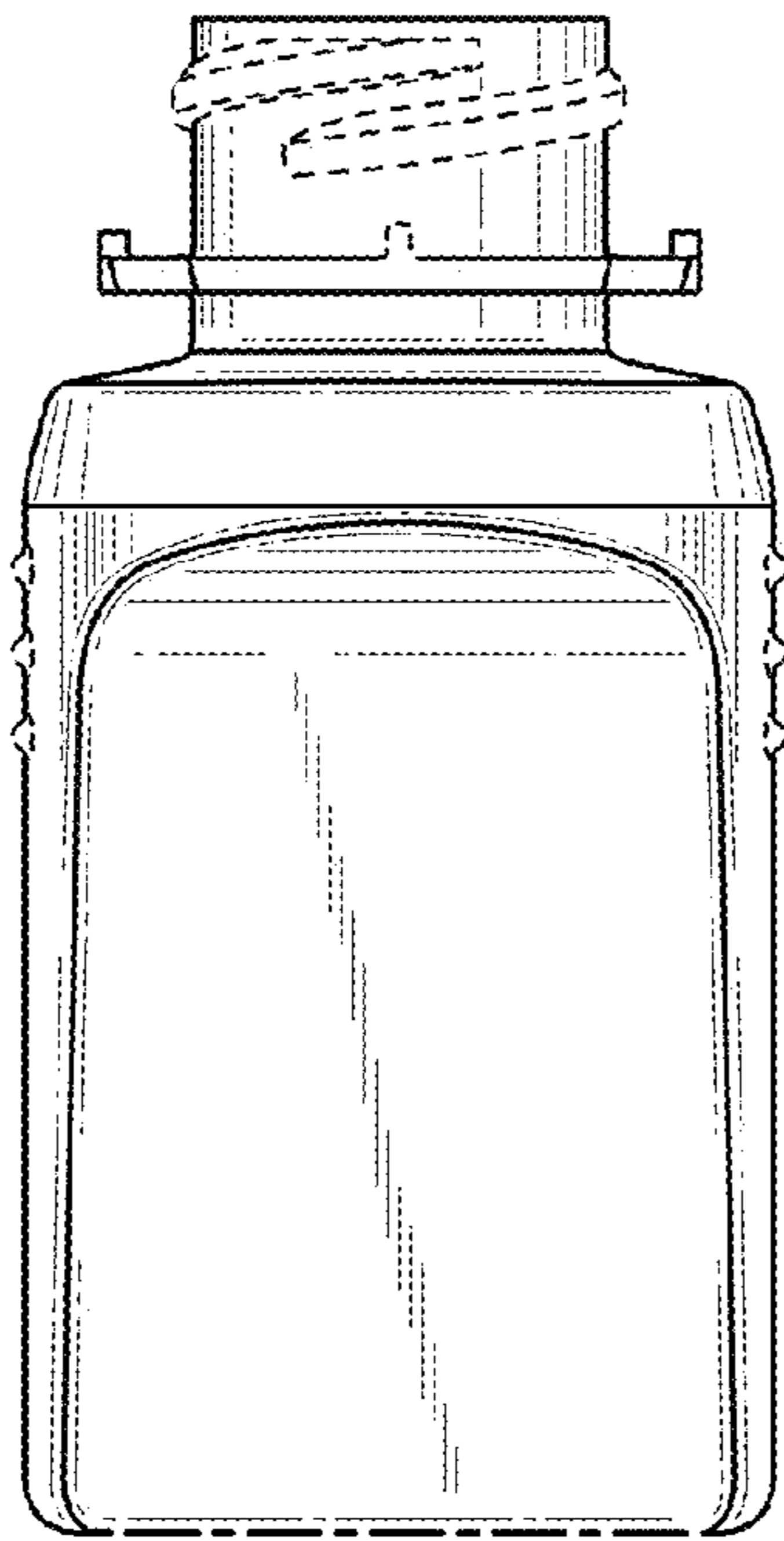


Fig. 3

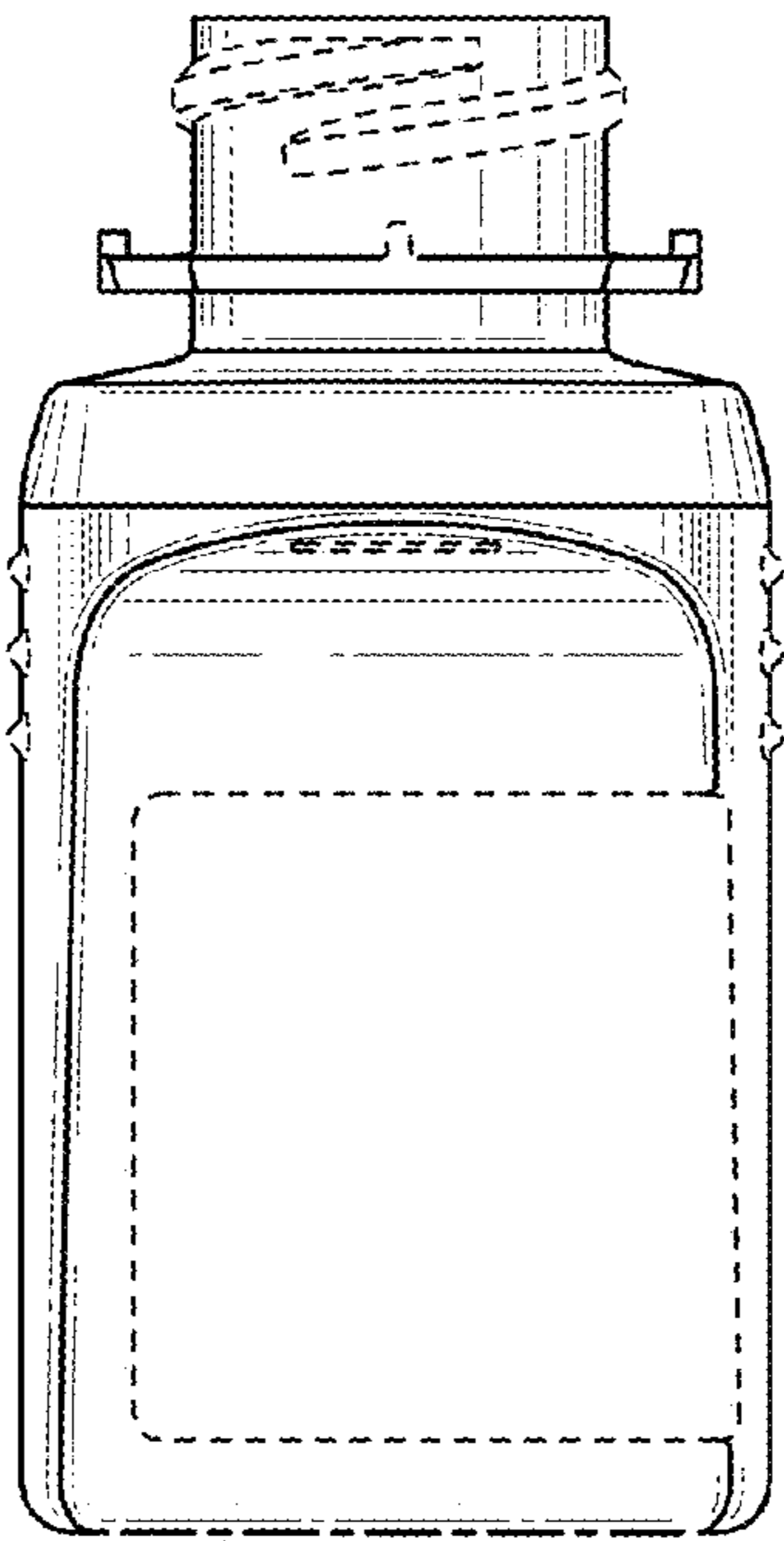


Fig. 4

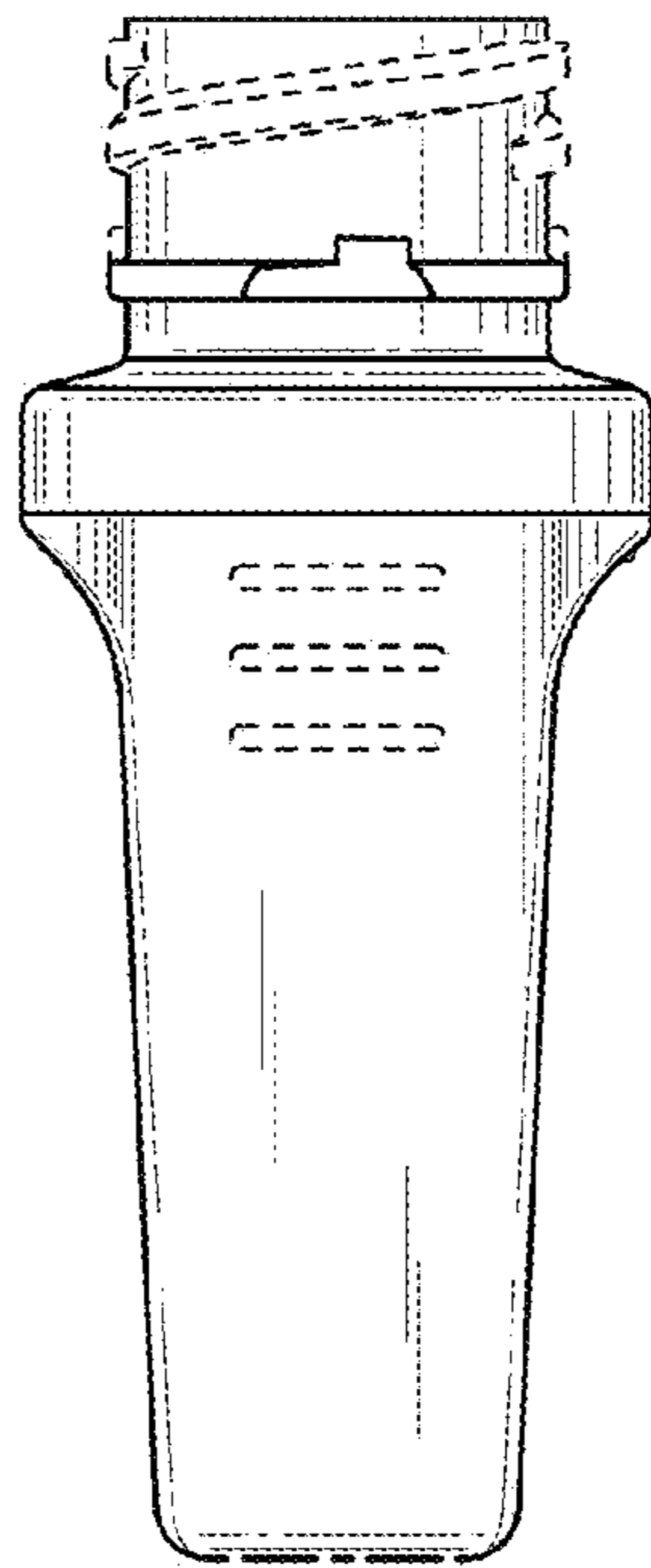


Fig. 5

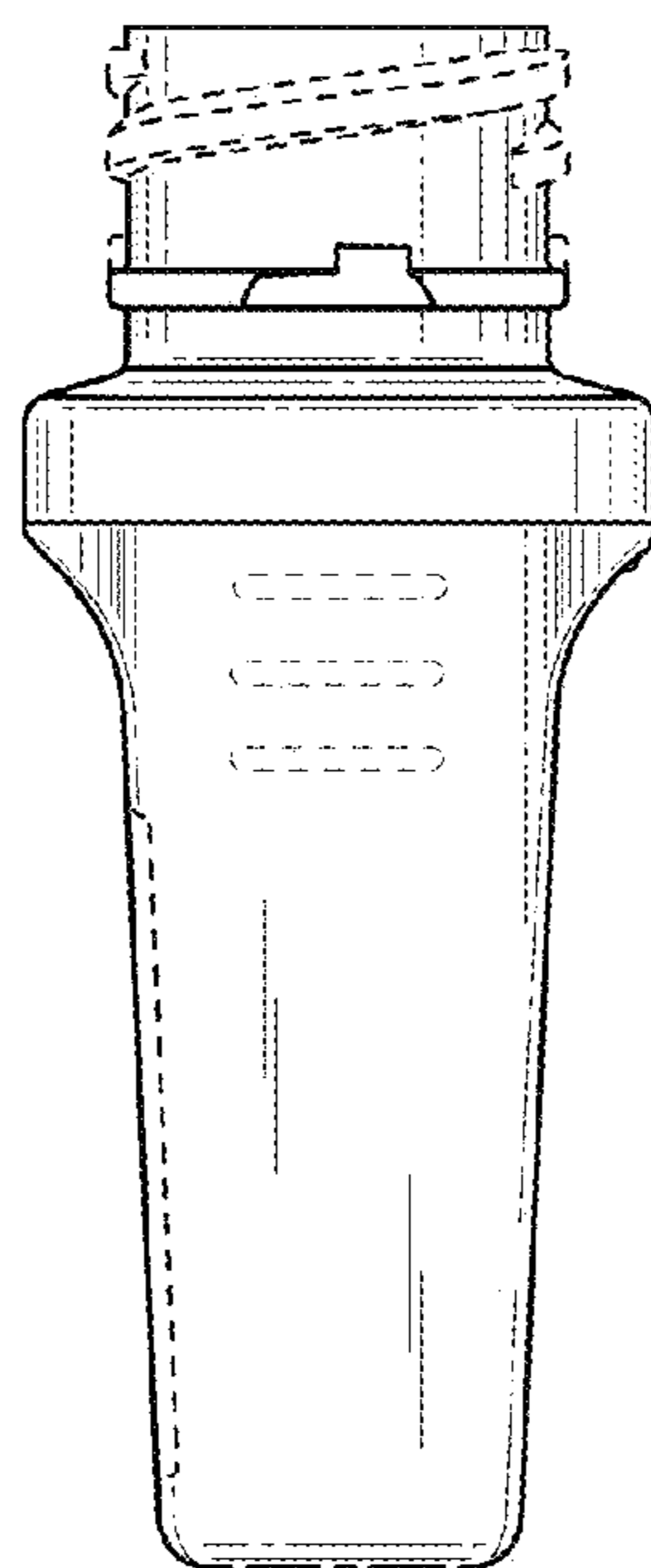


Fig. 6

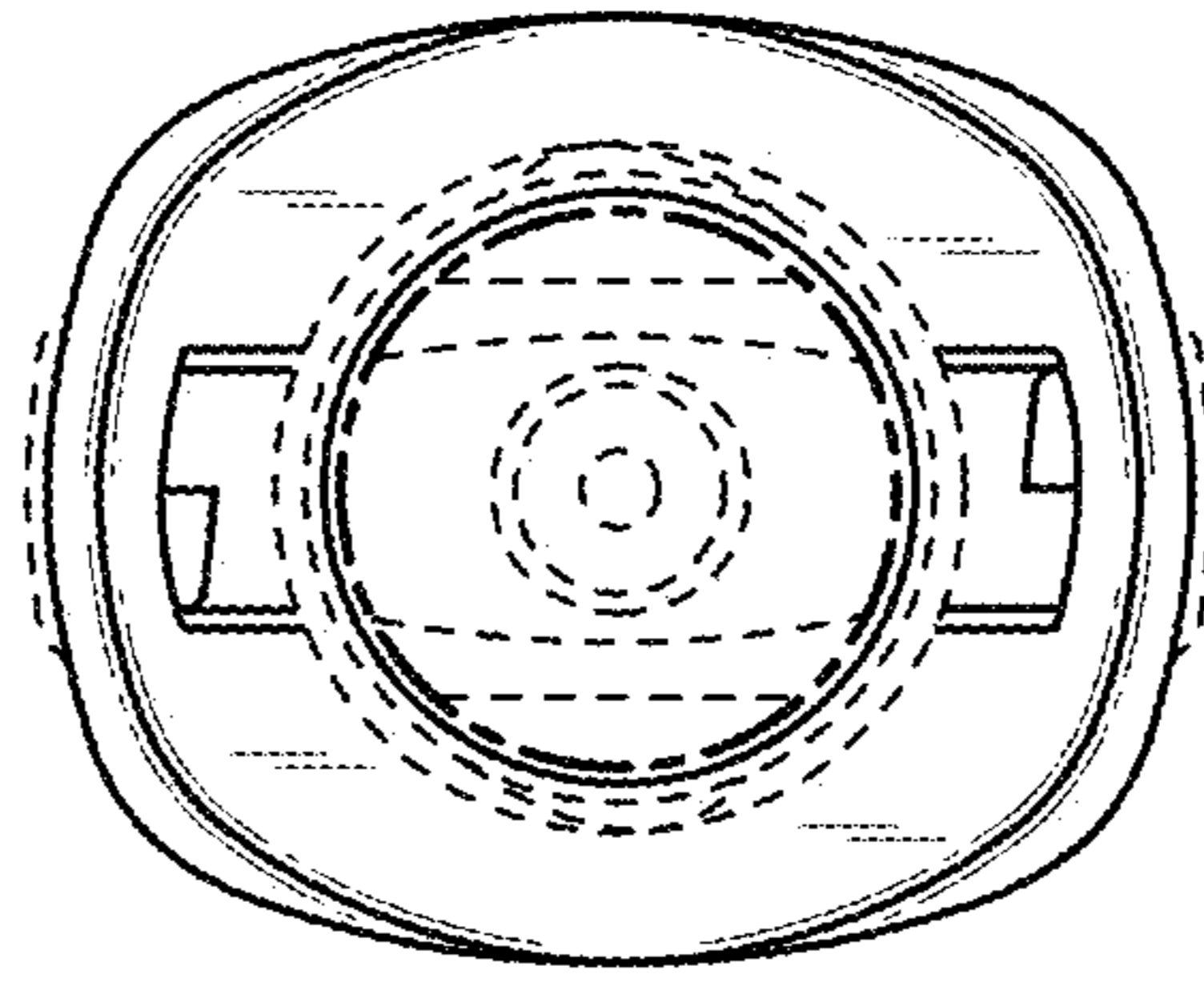


Fig. 7

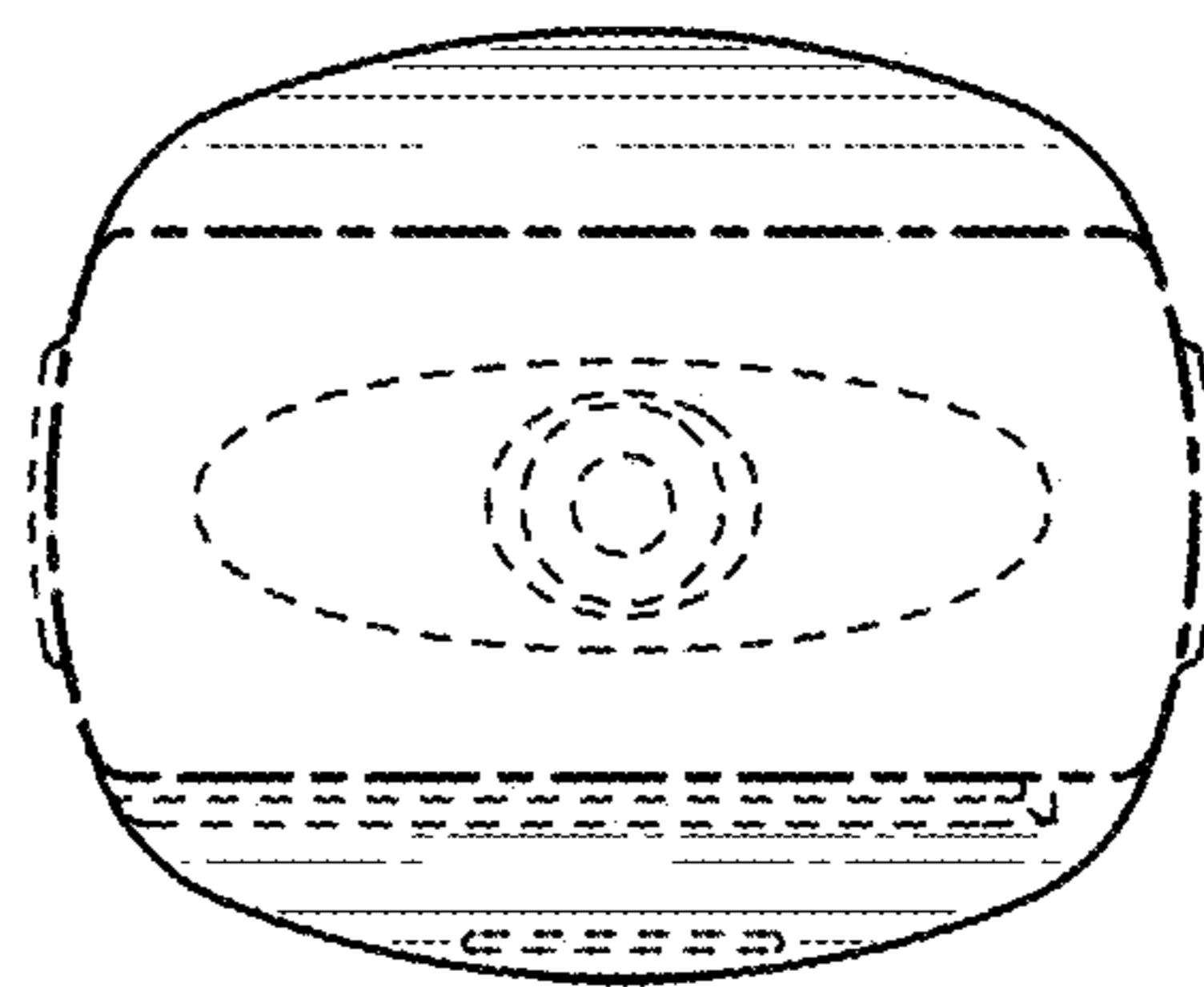


Fig. 8

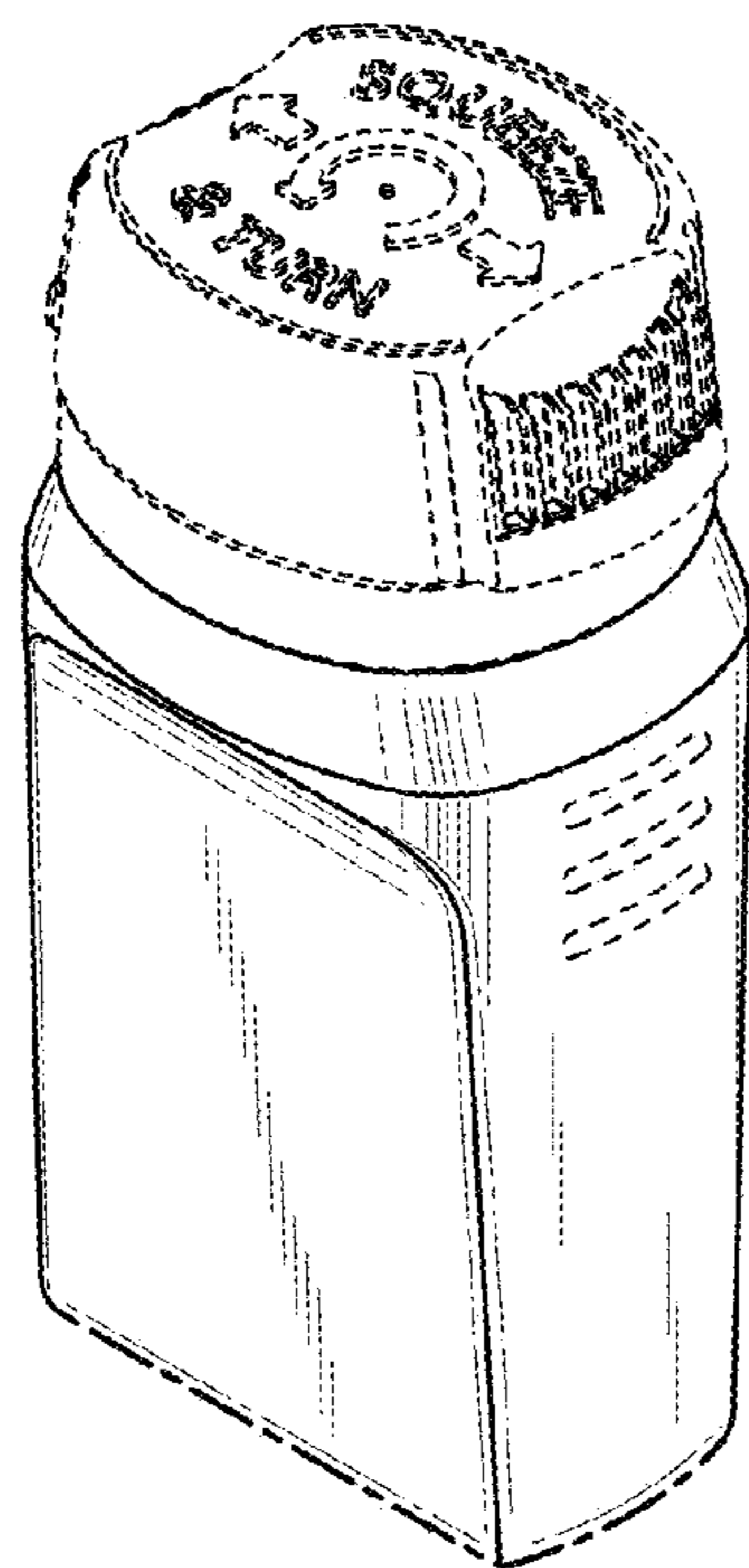


Fig. 9

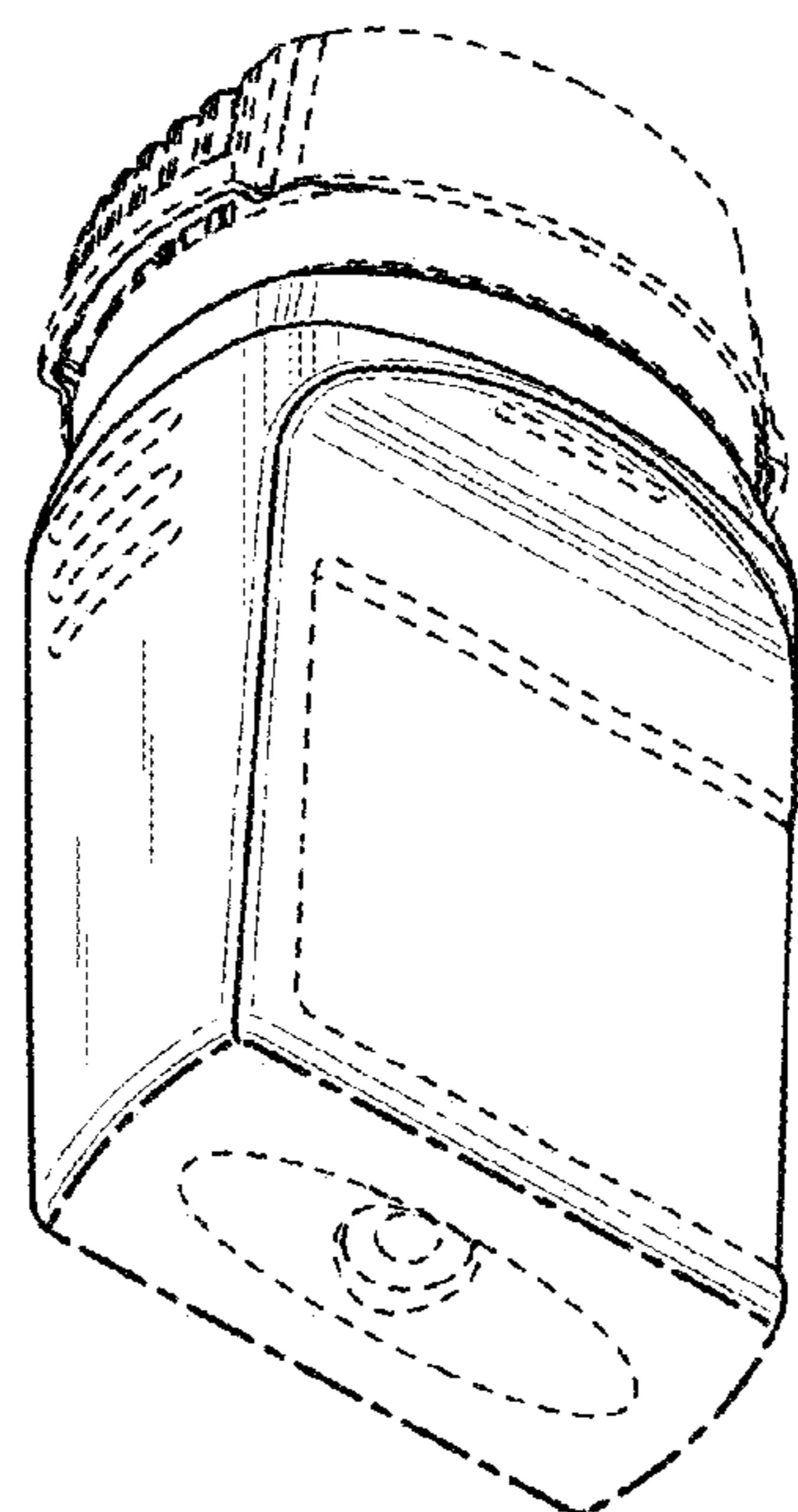


Fig. 10

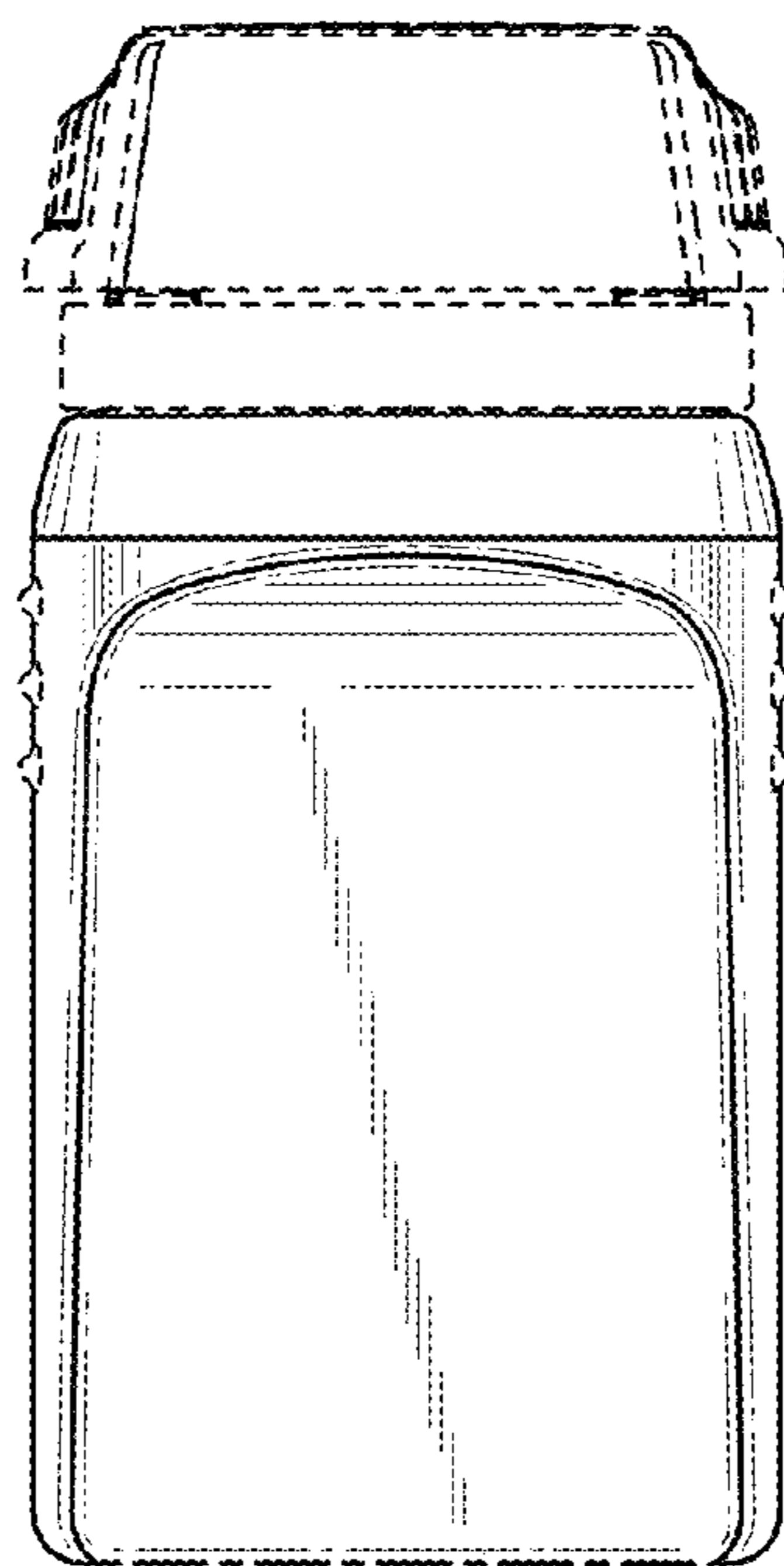


Fig. 11

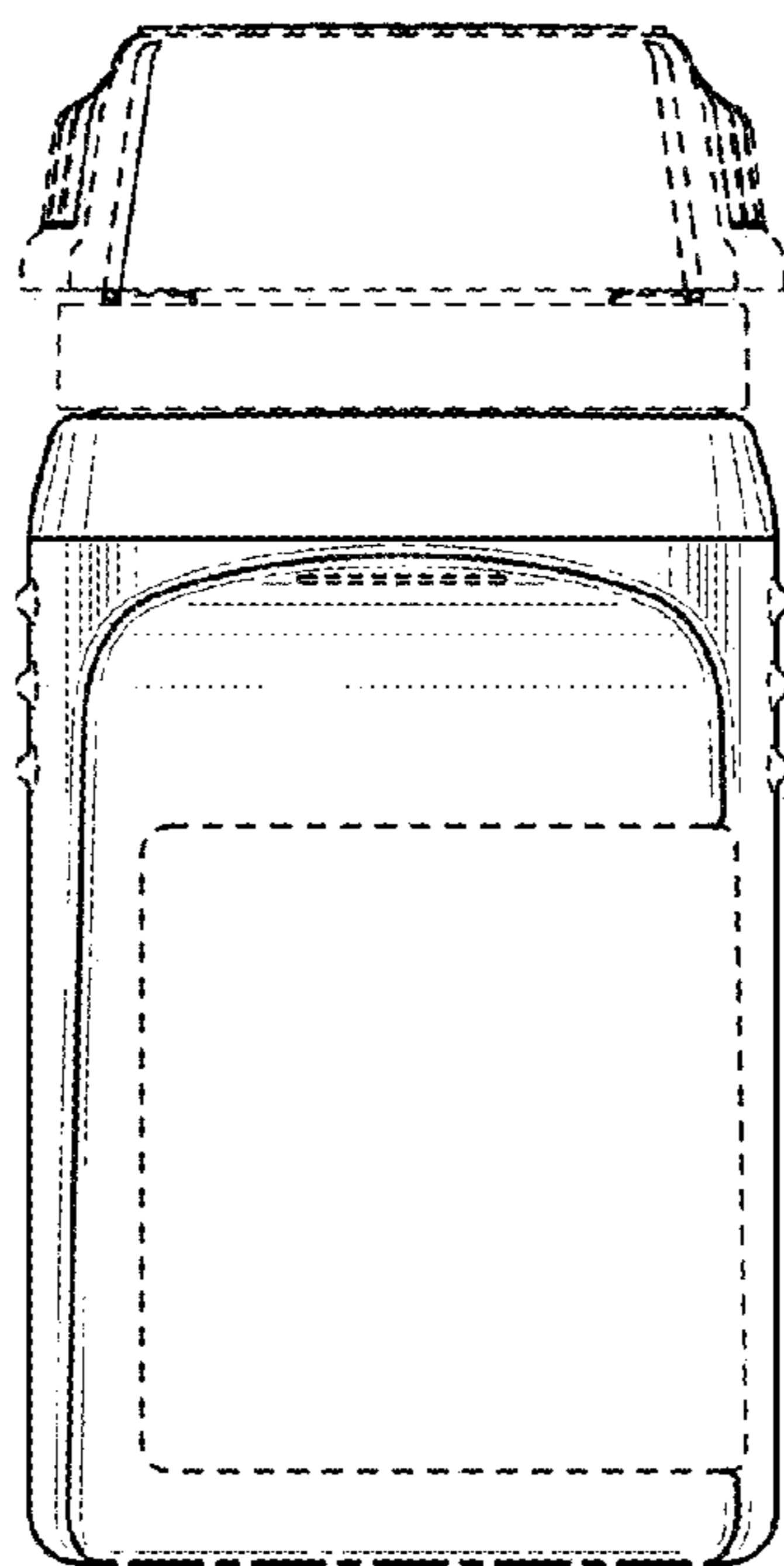


Fig. 12

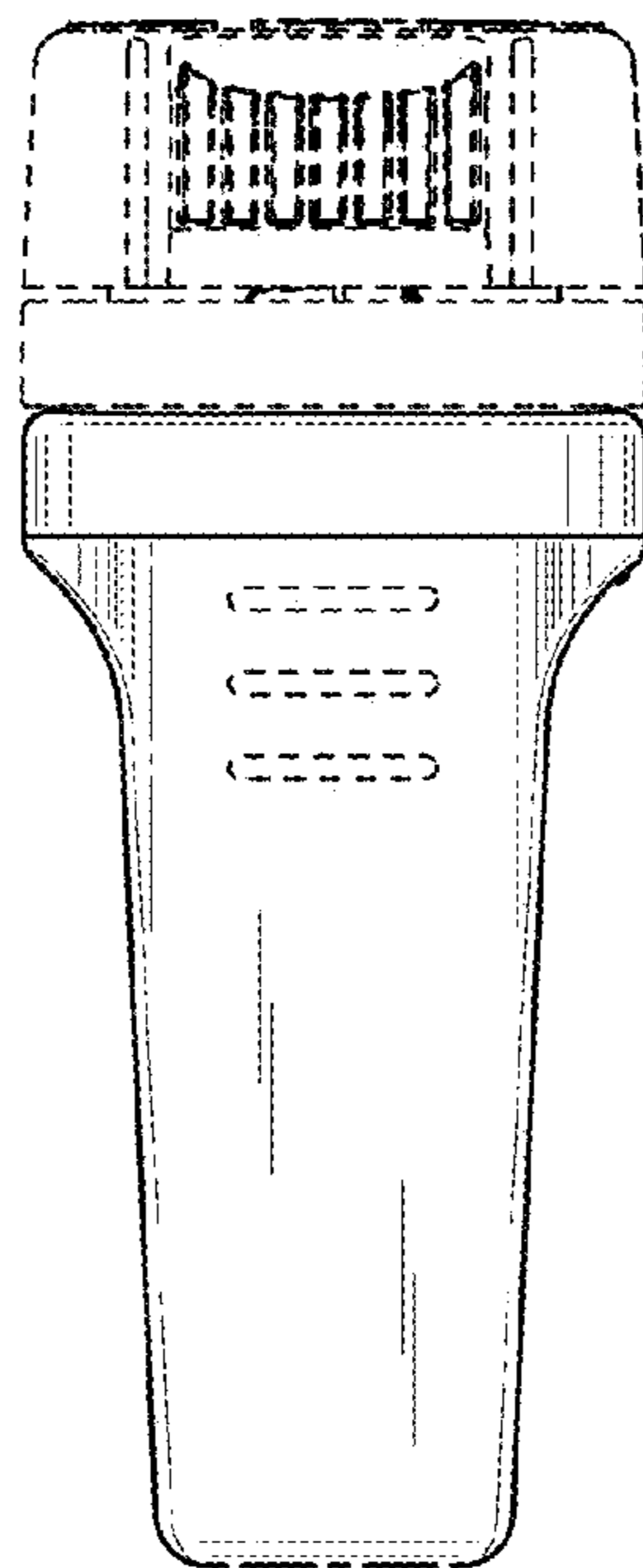


Fig. 13

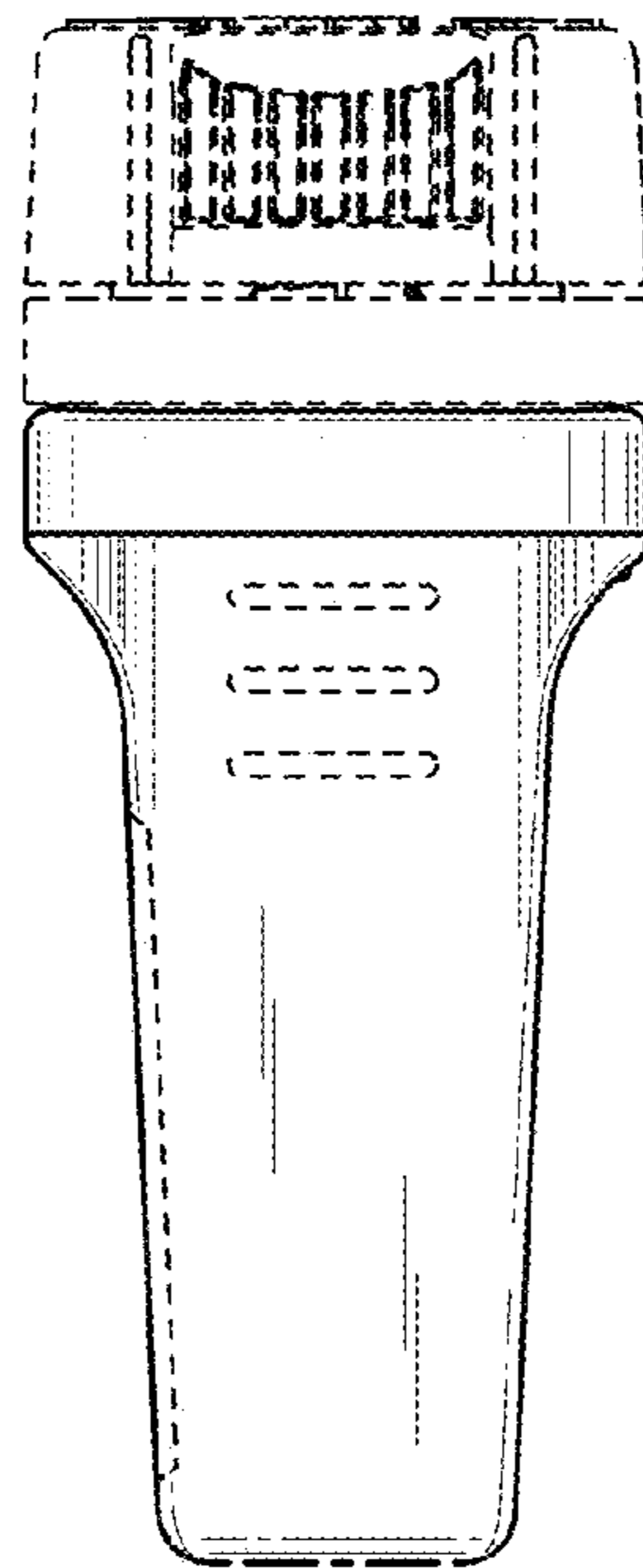


Fig. 14

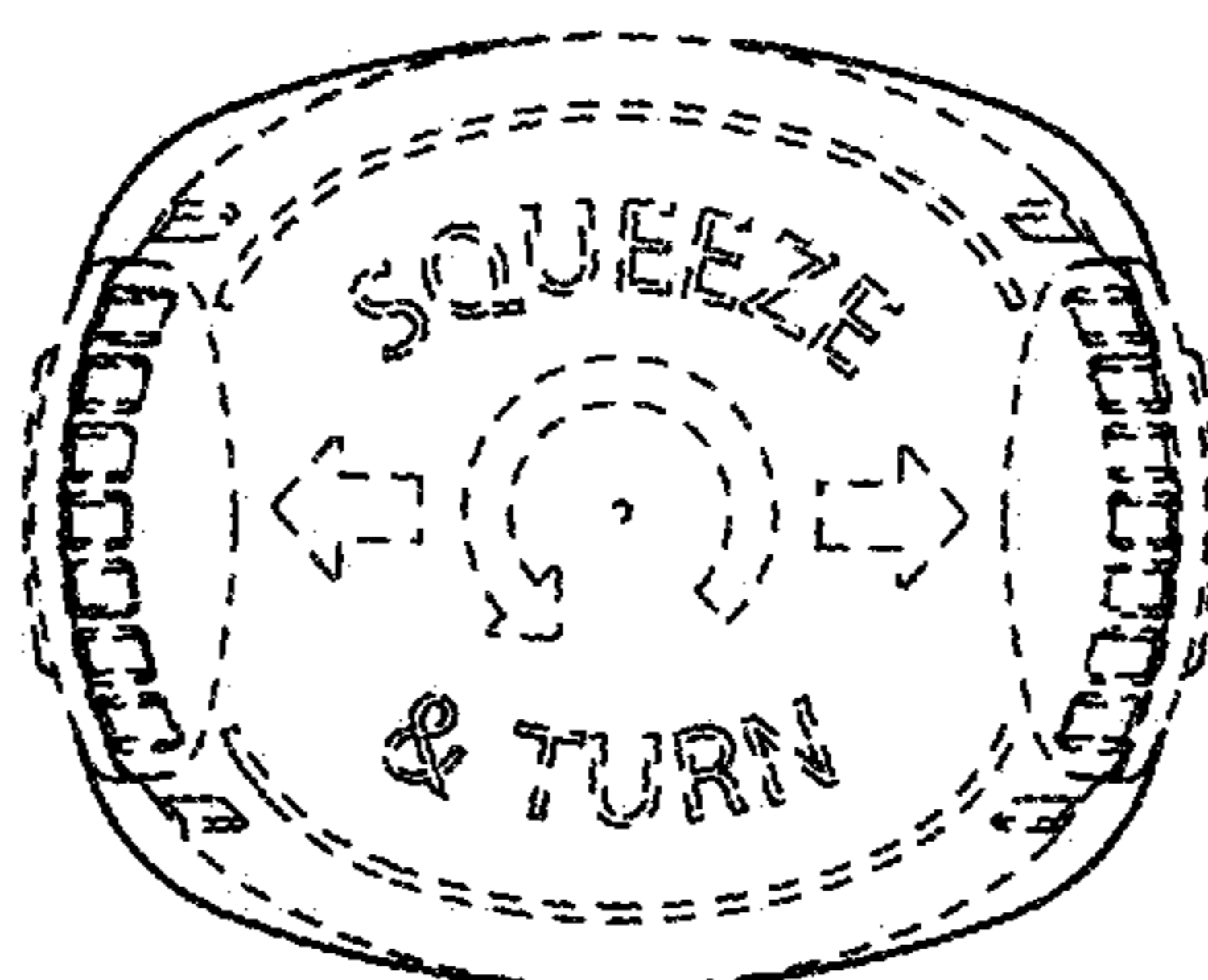


Fig. 15

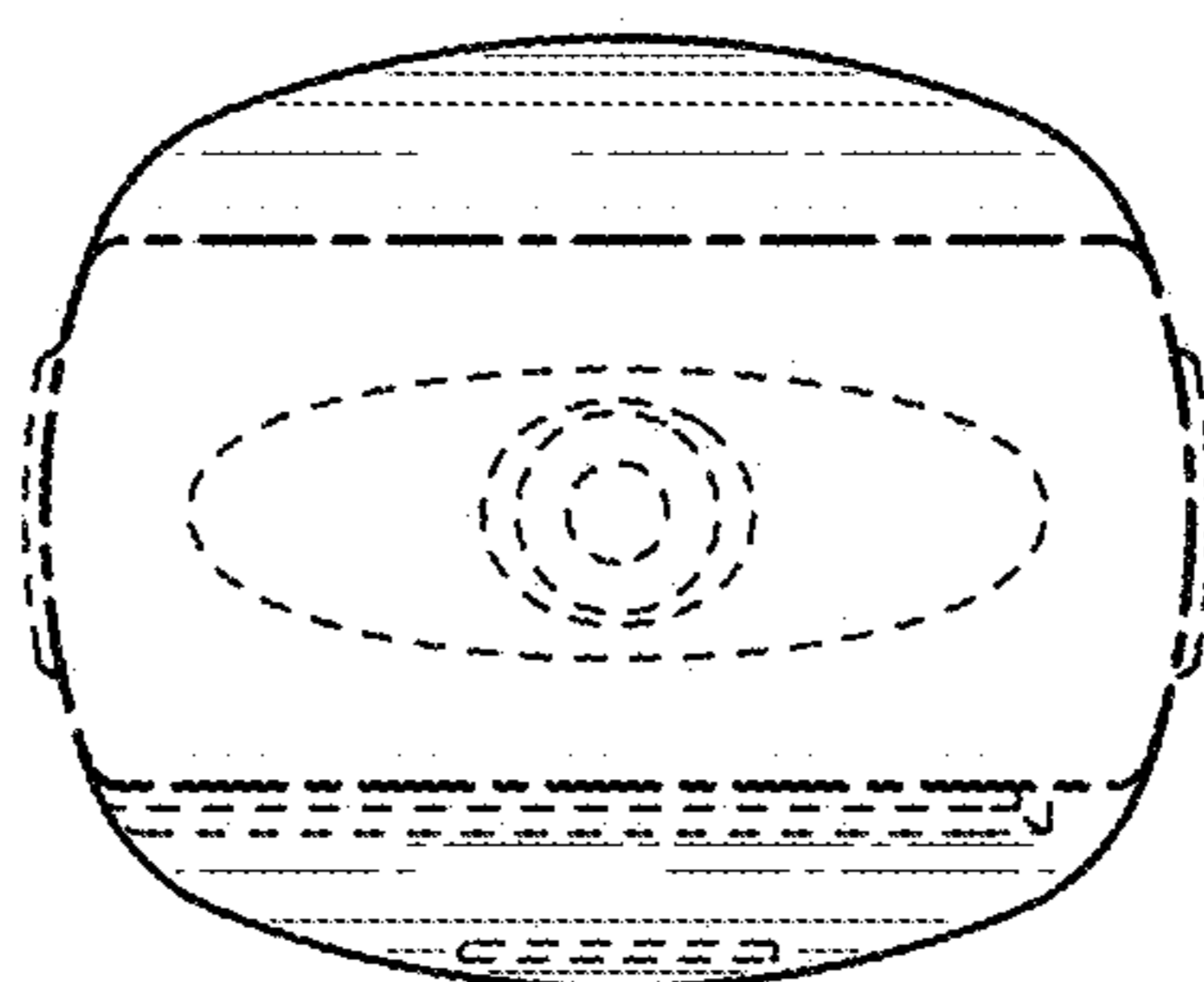


Fig. 16