



US00D766722S

(12) **United States Design Patent**
Schlies et al.

(10) **Patent No.:** **US D766,722 S**
(45) **Date of Patent:** **** Sep. 20, 2016**

(54) **CONTAINER**

(71) Applicant: **Graham Packaging Company, L.P.**,
York, PA (US)
(72) Inventors: **Anthony J. Schlies**, York, PA (US);
Justin A. Howell, Mechanicsburg, PA
(US)
(73) Assignee: **Graham Packaging Company, L.P.**,
York, PA (US)

(**) Term: **14 Years**

(21) Appl. No.: **29/495,608**

(22) Filed: **Jul. 2, 2014**

Related U.S. Application Data

(63) Continuation of application No. 29/408,038, filed on
Dec. 6, 2011.

(51) **LOC (10) Cl.** **09-01**

(52) **U.S. Cl.**
USPC **D9/516; D9/552**

(58) **Field of Classification Search**
USPC D9/658, 667, 516, 537-541, 549, 552,
D9/556, 558, 565, 574-575; 215/379,
215/381-385; 220/660, 696
See application file for complete search history.

(56) **References Cited**

U.S. PATENT DOCUMENTS

D20,059 S * 7/1890 Irwin D9/552
D56,029 S 8/1920 Quigg
D100,342 S 7/1936 Steuernagle
D167,345 S * 7/1952 Fuerst D9/552
D174,646 S * 5/1955 Lorenzen D9/552
D185,296 S 5/1959 Mas
D216,361 S * 12/1969 Pappas, Jr. D9/538
D264,433 S * 5/1982 Pettengill D7/615
D264,434 S * 5/1982 Pettengill D7/615
D286,617 S 11/1986 Goodwin et al.

5,593,056 A * 1/1997 Mero B65D 1/0223
215/379
D380,356 S * 7/1997 Husted D7/679
5,704,504 A 1/1998 Bueno
D407,317 S * 3/1999 Lang D9/538
D416,198 S 11/1999 Lindsay et al.
D423,722 S * 4/2000 Lang D28/76
D442,474 S 5/2001 Piccioli et al.
D479,131 S * 9/2003 Warner D9/539 X
D489,268 S 5/2004 Wang
D495,601 S * 9/2004 Klemm D9/516
7,198,165 B2 * 4/2007 Zhang B65D 79/005
215/381
D548,095 S 8/2007 McGuinness
D551,986 S * 10/2007 Rubin D9/552

(Continued)

OTHER PUBLICATIONS

U.S. Appl. No. 29/408,038, filed Dec. 6, 2011.

(Continued)

Primary Examiner — Carol P Rademaker

(74) *Attorney, Agent, or Firm* — Baker Botts L.L.P.

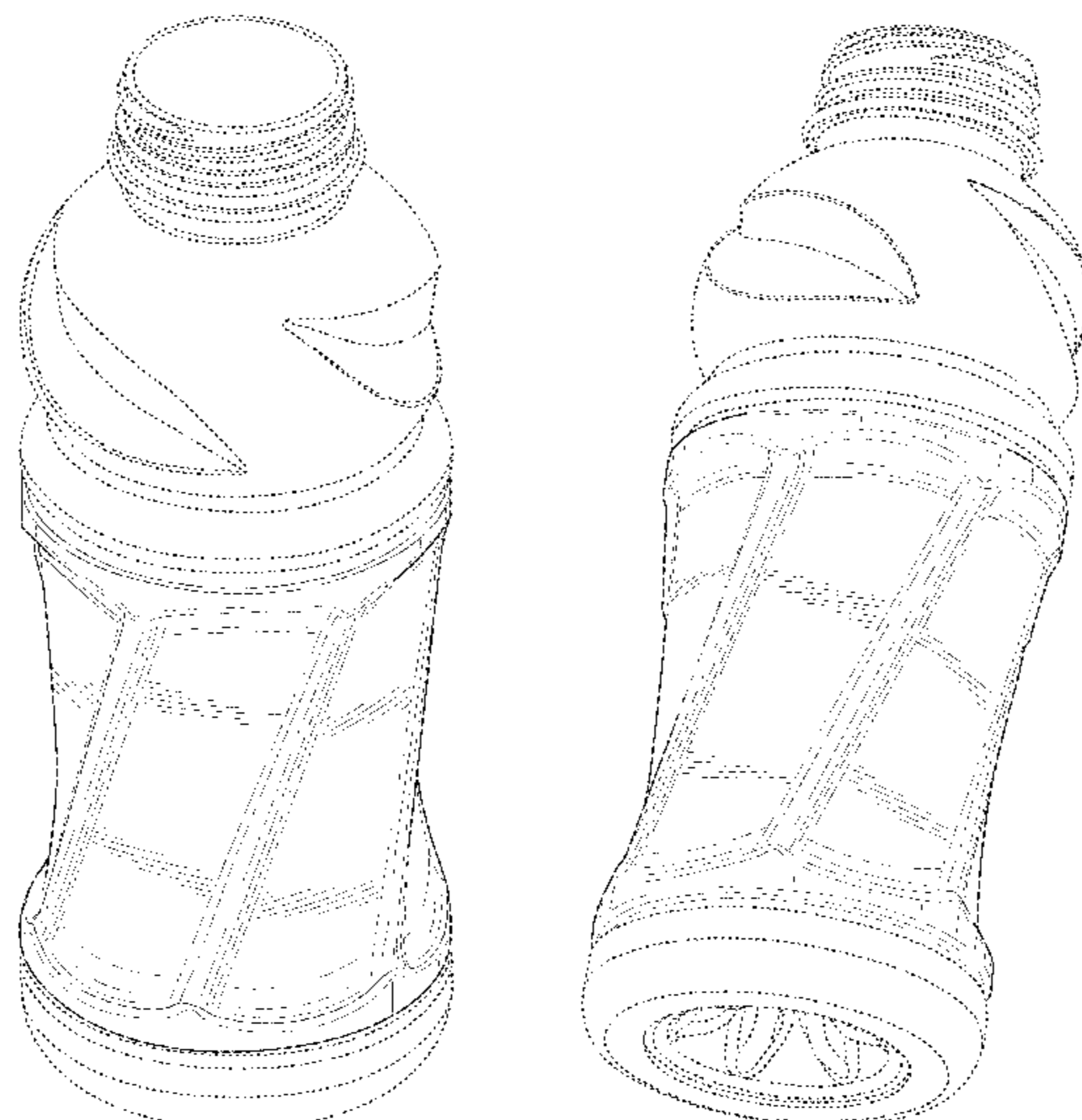
(57) **CLAIM**

The ornamental design for a container, as shown and
described.

DESCRIPTION

FIG. 1 is a top, front, right side perspective view of a
container showing our new design;
FIG. 2 is a bottom, front, left side perspective view thereof;
FIG. 3 is a front elevational view thereof;
FIG. 4 is a rear elevational view thereof;
FIG. 5 is a right side elevational view thereof;
FIG. 6 is a left side elevational view thereof;
FIG. 7 is a top plan view thereof; and,
FIG. 8 is a bottom plan view thereof.
The broken lines shown in the drawings are included for the
purpose of illustrating portions of the container that form no
part of the claimed design.

1 Claim, 7 Drawing Sheets



(56)

References Cited

U.S. PATENT DOCUMENTS

D599,672 S 9/2009 Carison et al.
D600,559 S 9/2009 Lepoitevin
7,604,140 B2 10/2009 Pritchett et al.
D604,169 S 11/2009 Melossi
D616,762 S * 6/2010 Caldwell D9/538
D623,070 S 9/2010 Jamison et al.
D623,953 S * 9/2010 Darr D9/516
8,113,368 B2 2/2012 Oguchi et al.
D656,833 S 4/2012 Perez
D662,824 S 7/2012 Perez
D675,535 S 2/2013 Nomura et al.
D677,574 S 3/2013 Barnard et al.
D677,575 S 3/2013 Barnard et al.
D689,368 S 9/2013 Kim
D689,773 S 9/2013 Nomura et al.
8,544,667 B2 * 10/2013 Ozawa B65D 1/0223
215/382 X

D696,949 S 1/2014 Reeber et al.
8,870,017 B2 * 10/2014 Reeber B65D 1/0207
220/669 X
8,881,922 B2 * 11/2014 Schlies B65D 79/005
215/383 X
D726,386 S * 4/2015 Davidian D34/1
D732,969 S * 6/2015 Berard D9/565 X
D748,327 S * 1/2016 Taha D27/163
2007/0068894 A1 3/2007 Iwashita et al.
2010/0032405 A1 2/2010 Ozawa et al.
2010/0089865 A1 * 4/2010 Oguchi B65D 1/42
215/382

OTHER PUBLICATIONS

U.S. Appl. No. 29/408,038, Jul. 2, 2014 Issue Fee payment.
U.S. Appl. No. 29/408,038, Jul. 1, 2014 Notice of Allowance.

* cited by examiner

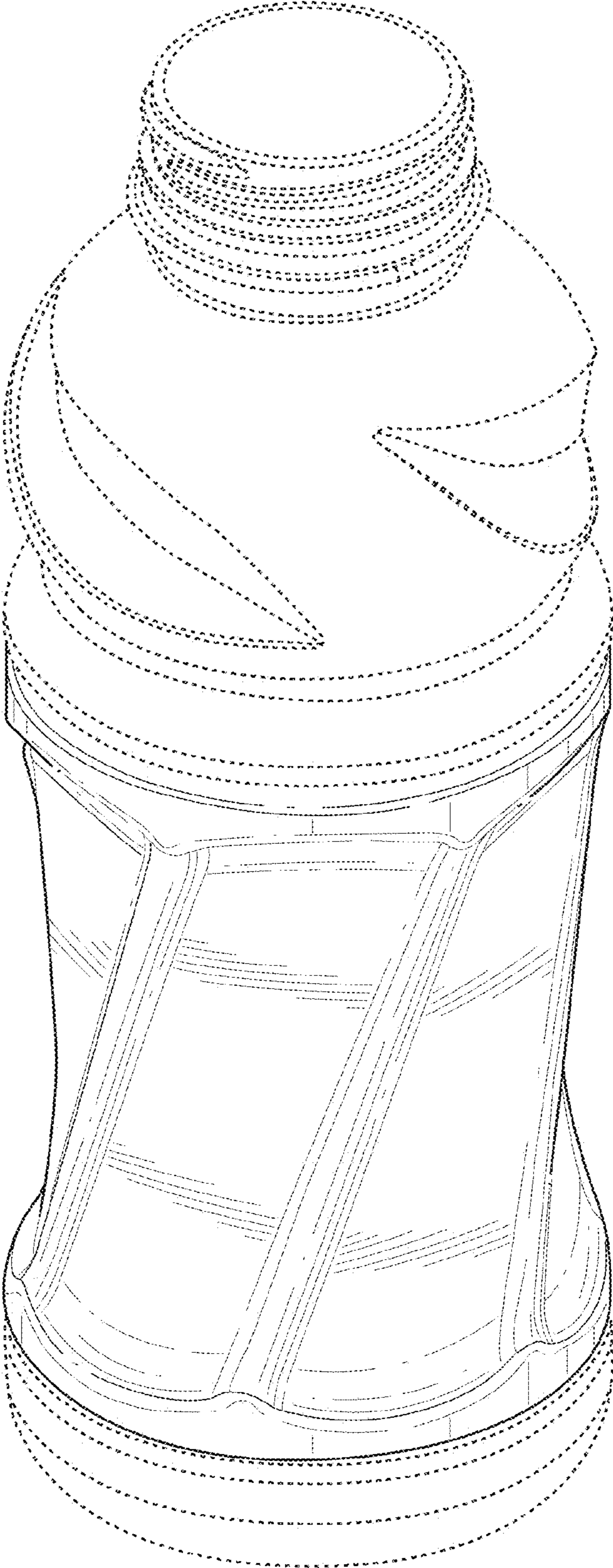


FIG. 1

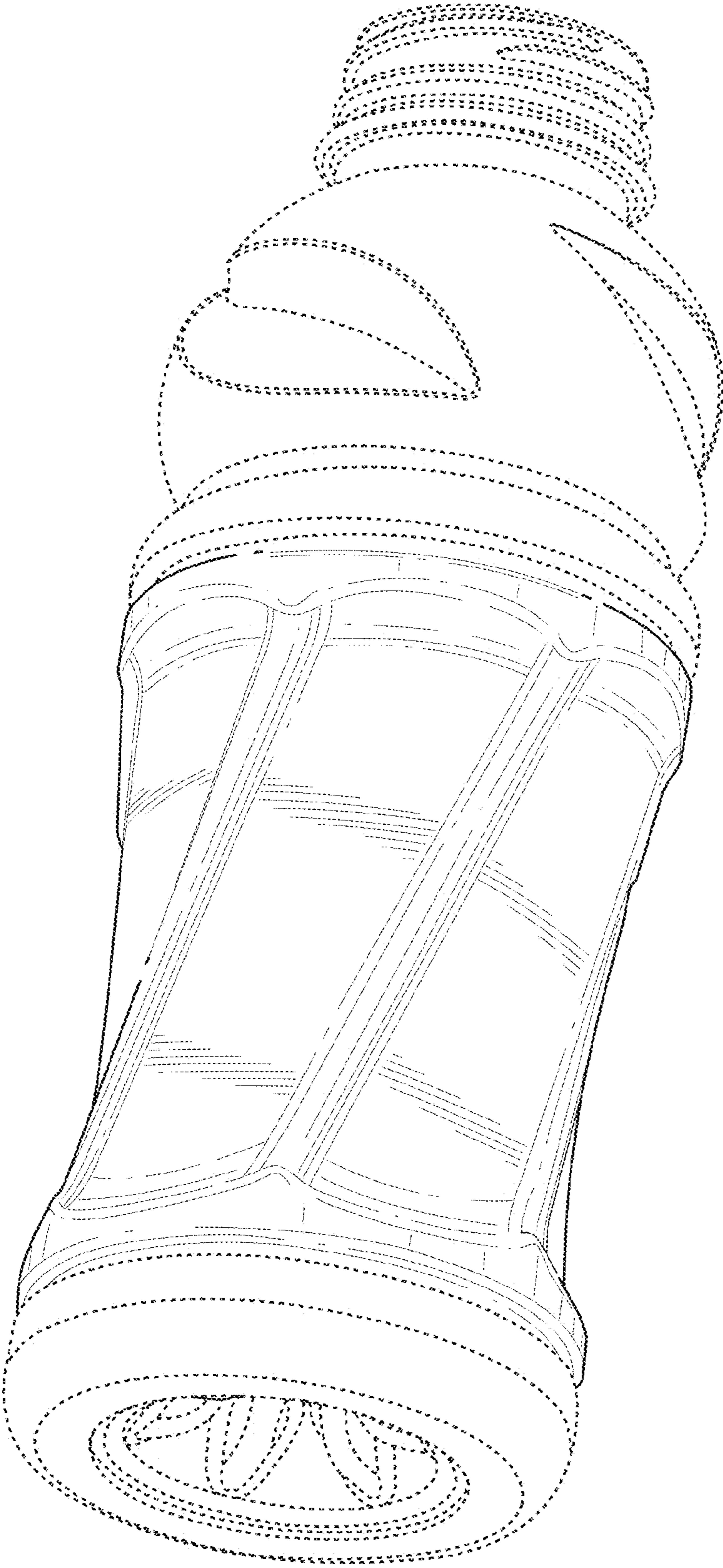


FIG. 2

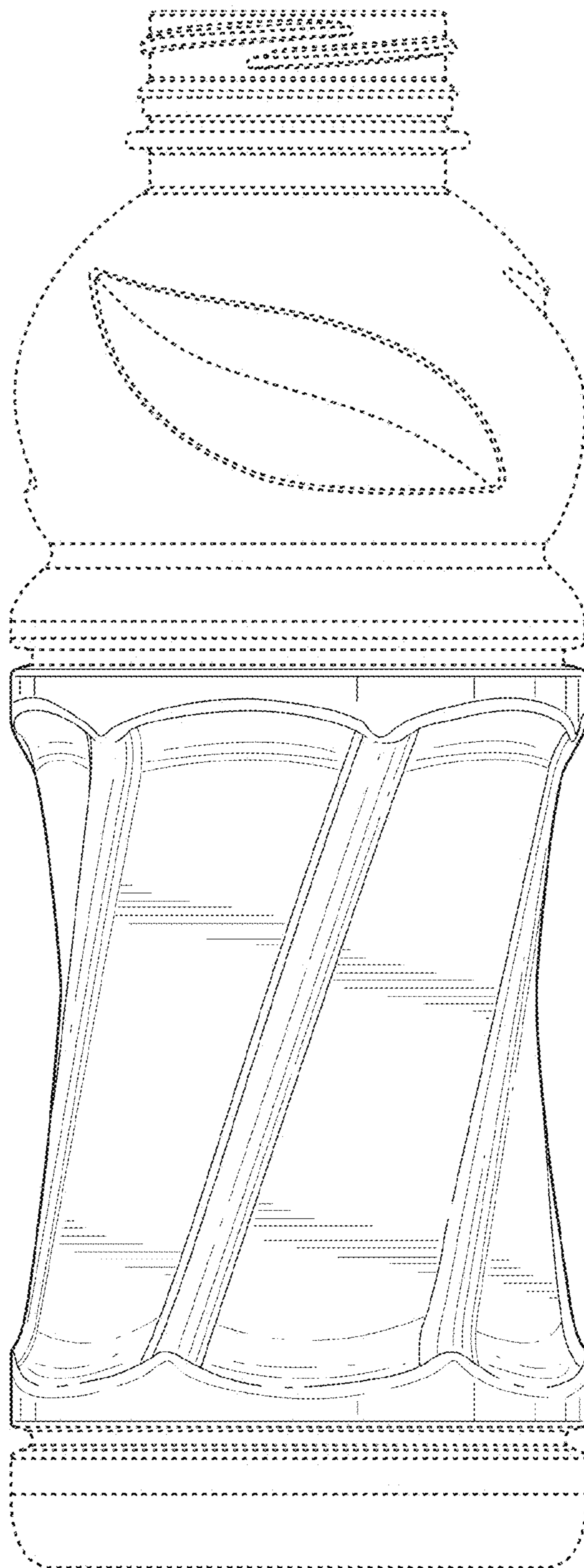


FIG. 3

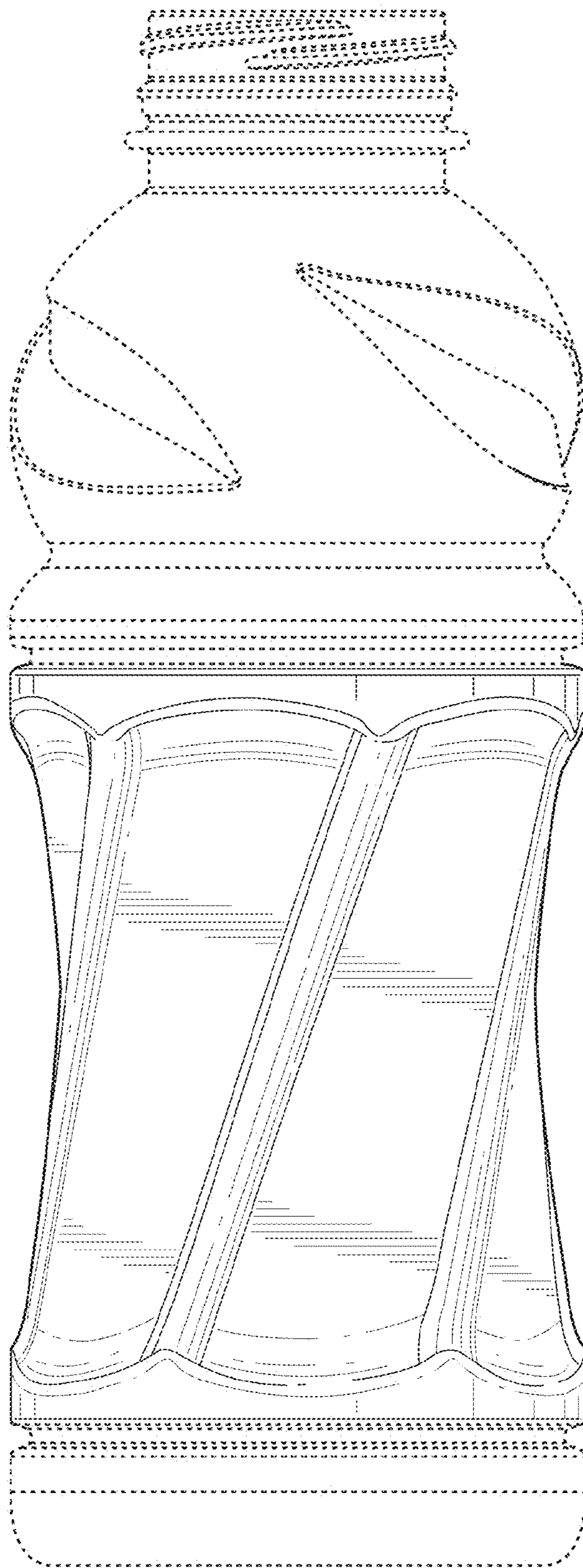


FIG. 4

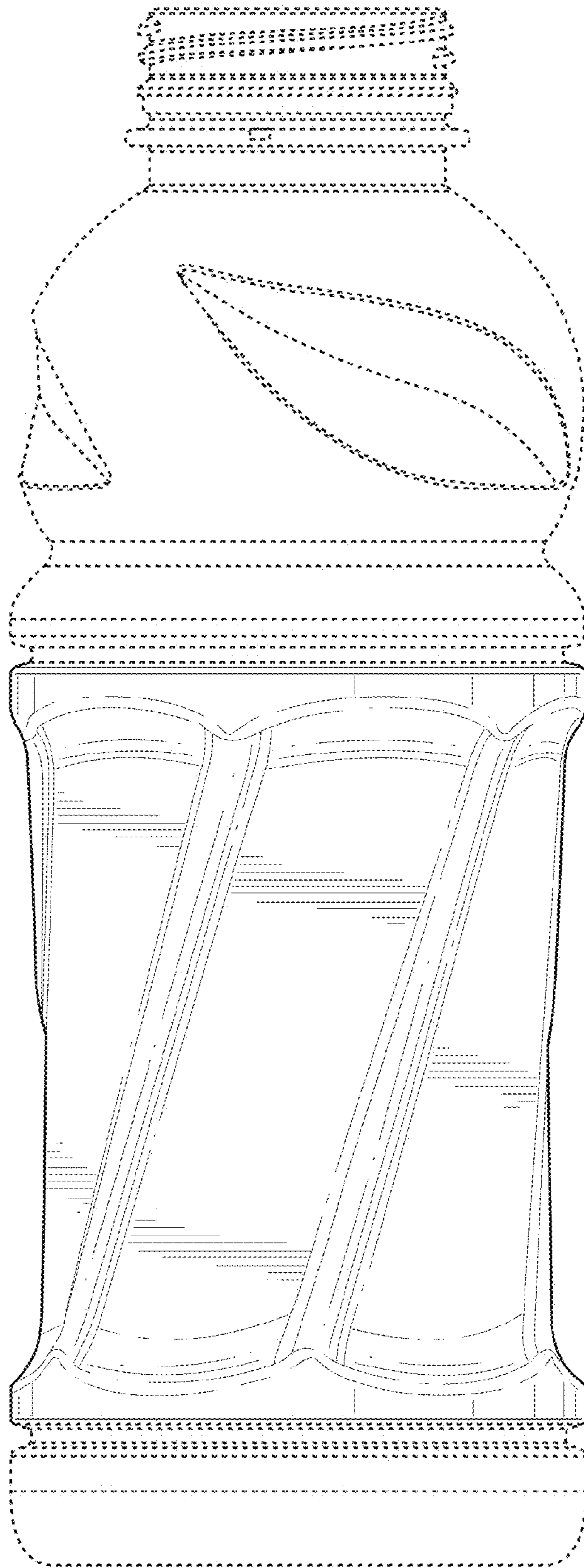


FIG. 5

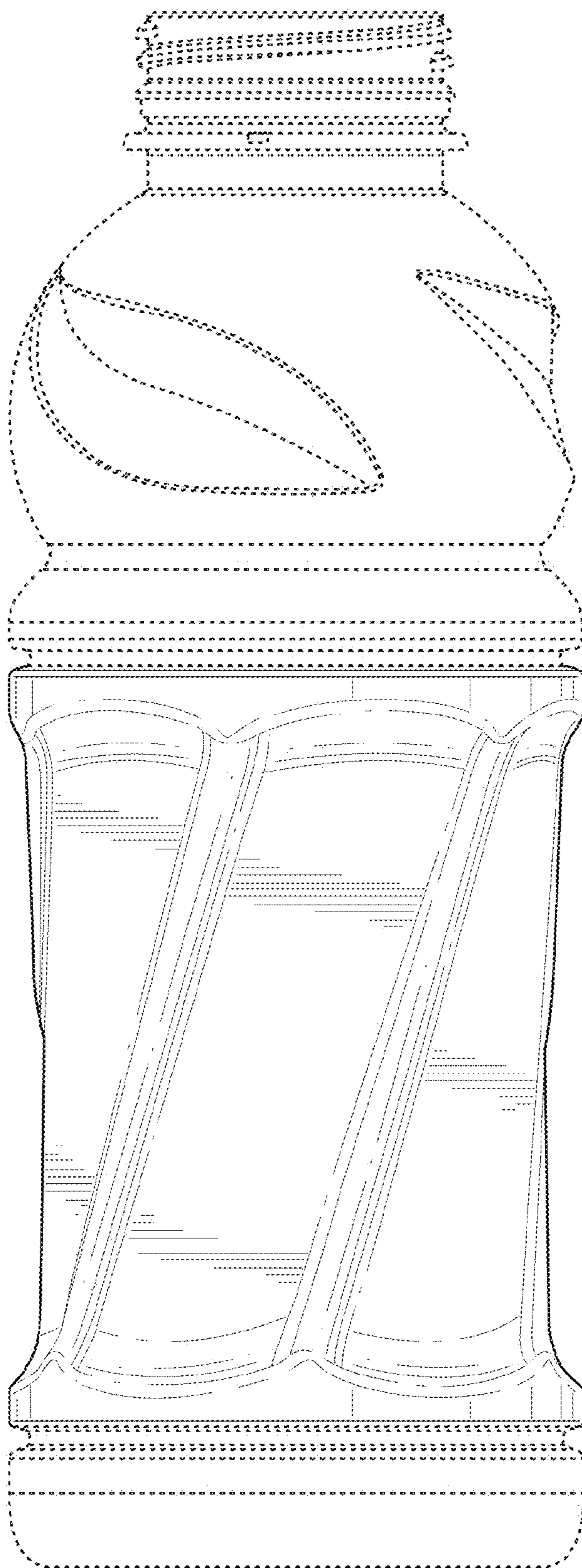


FIG. 6

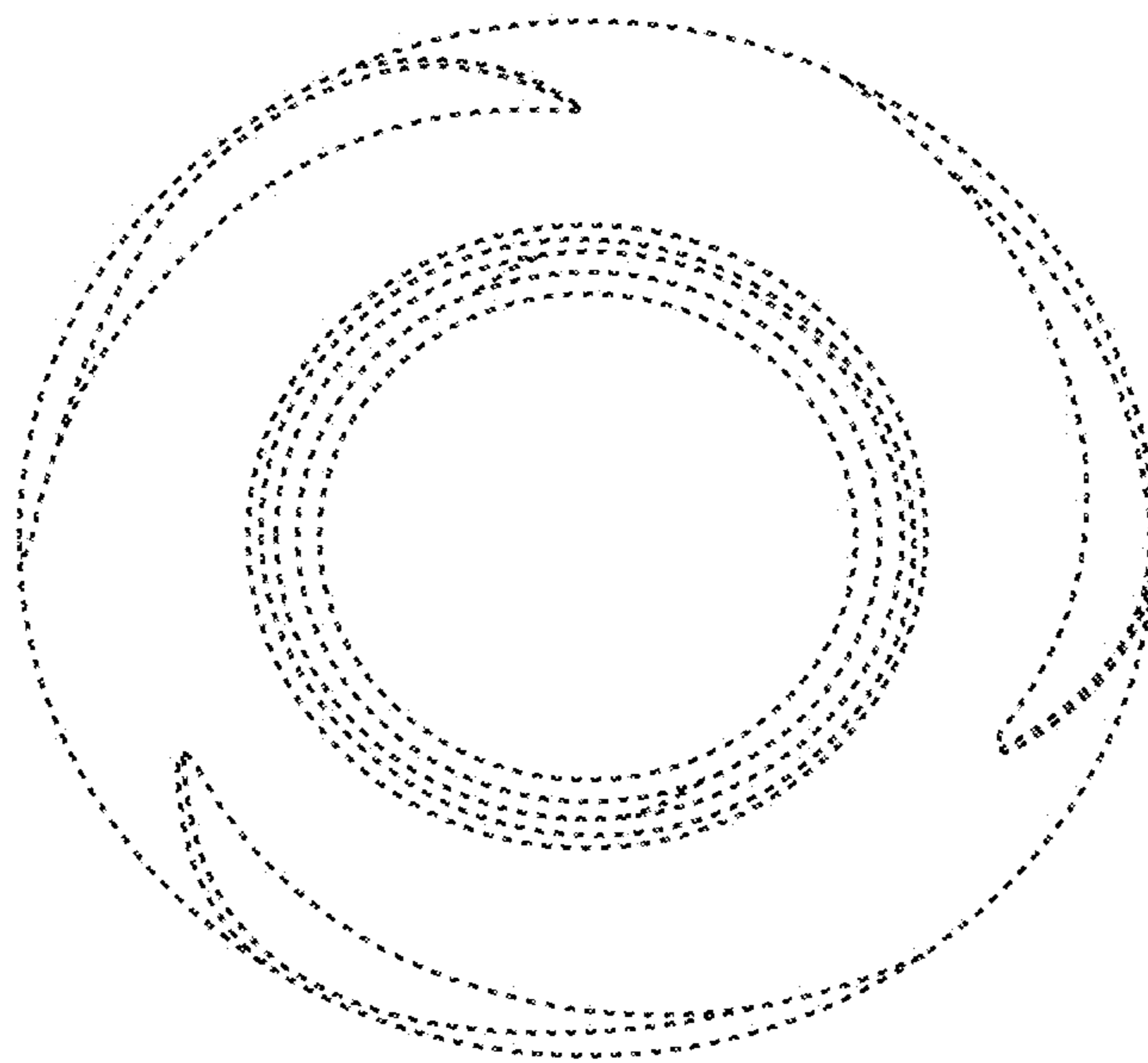


FIG. 7

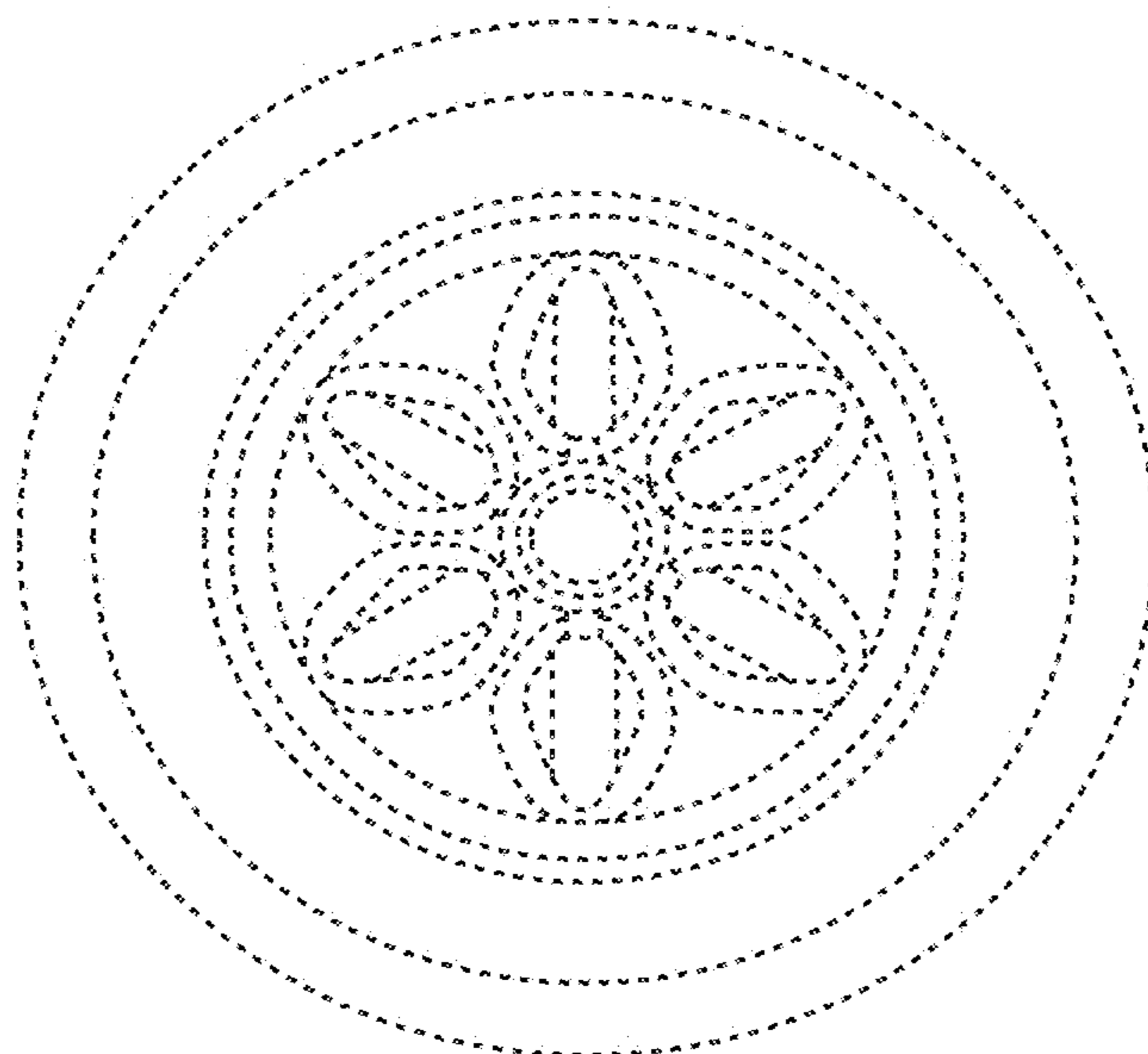


FIG. 8