



US00D766720S

(12) **United States Design Patent** (10) **Patent No.:** **US D766,720 S**  
**Ware et al.** (45) **Date of Patent:** **\*\* Sep. 20, 2016**

(54) **BREAKSEAL FOR A LIQUID DISPENSING SYSTEM**

(71) Applicant: **Entegris, Inc.**, Billerica, MA (US)

(72) Inventors: **Donald D. Ware**, Woodbury, MN (US);  
**Greg Nelson**, Minneapolis, MN (US);  
**Amy Koland**, Eden Prairie, MN (US);  
**Bruce Musolf**, Eagan, MN (US);  
**Michael S. Allen**, Bloomington, MN (US);  
**John Leys**, Chaska, MN (US);  
**James Linder**, Victoria, MN (US);  
**Richard L. Wilson**, Edina, MN (US);  
**Royce Richter**, Eden Prairie, MN (US);  
**Brenna Brosch**, Chanhassen, MN (US)

(73) Assignee: **ENTEGRIS, INC.**, Billerica, MA (US)

(\*\*) Term: **15 Years**

(21) Appl. No.: **29/534,705**

(22) Filed: **Jul. 30, 2015**

(51) **LOC (10) Cl.** ..... **09-07**

(52) **U.S. Cl.**  
USPC ..... **D9/447**

(58) **Field of Classification Search**  
USPC ..... D9/429, 434, 435, 443-450, 452, 454,  
D9/499, 553, 554, 559, 561; D7/387, 392,  
D7/393, 396.2, 396.4, 509, 510, 511, 514;  
D3/202, 203.2, 223, 264, 294, 304, 318  
CPC ..... A61J 1/00; A61J 1/1412; B65D 1/00;  
B65D 1/02; B65D 1/10; B65D 1/46; B65D  
2585/56; B65D 2585/545; B65D 41/00;  
B65D 41/56; B65D 41/62; B65D 47/06;  
B65D 47/08; B65D 2543/00046  
See application file for complete search history.

(56) **References Cited**

U.S. PATENT DOCUMENTS

D209,788 S \* 1/1968 Cheladze et al. .... D9/452  
D353,769 S \* 12/1994 Miller ..... D9/438

5,579,936 A \* 12/1996 Costa ..... B65D 51/1622  
215/261  
D378,571 S \* 3/1997 Bastow ..... D9/417  
5,730,306 A \* 3/1998 Costa ..... B65D 51/1616  
215/261  
D430,028 S \* 8/2000 Panansewicz ..... D9/432  
D623,519 S \* 9/2010 Richardson ..... D9/454  
D637,903 S \* 5/2011 Ghiotti ..... D9/428  
D683,497 S \* 5/2013 Ghiotti ..... D27/186

(Continued)

FOREIGN PATENT DOCUMENTS

JP 2006/089080 A 4/2006  
TW D135916 7/2010  
TW D145336 2/2012  
WO WO 2014/066723 A1 5/2014

*Primary Examiner* — Karen S Acker  
*Assistant Examiner* — Wendy Arminio

(74) *Attorney, Agent, or Firm* — Christensen Fonder P.A.

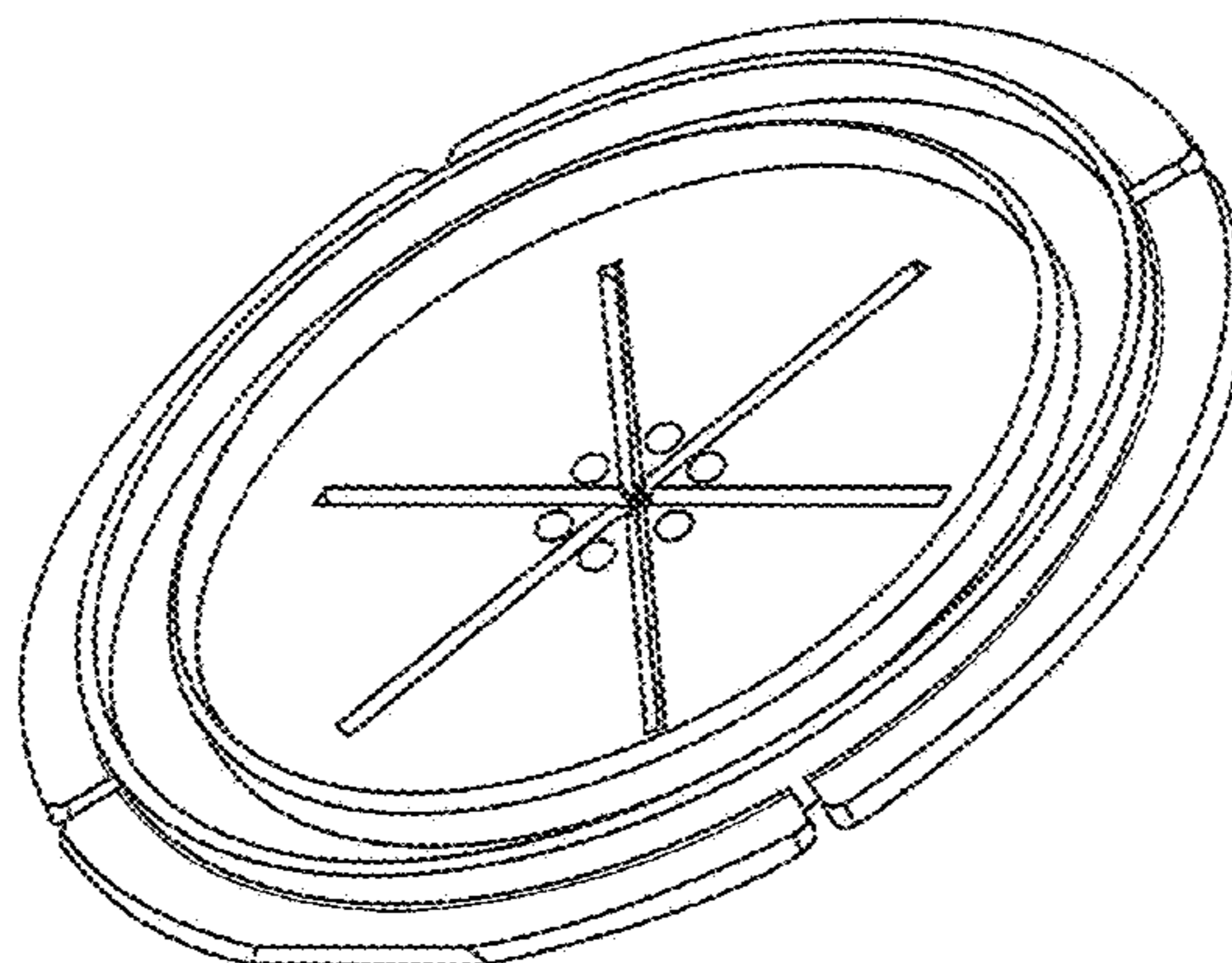
(57) **CLAIM**

The ornamental design for a breakseal for a liquid dispensing system, as shown and described.

**DESCRIPTION**

FIG. 1 is a top perspective view of a breakseal for a liquid dispensing system according to the invention.  
FIG. 2 is a top plan view of the breakseal for a liquid dispensing system.  
FIG. 3 is a bottom plan view of the breakseal for a liquid dispensing system.  
FIG. 4 is a front view of the breakseal for a liquid dispensing system.  
FIG. 5 is a right side view of the breakseal for a liquid dispensing system.  
FIG. 6 is a left side view of the breakseal for a liquid dispensing system.  
FIG. 7 is a rear view of the breakseal for a liquid dispensing system; and,  
FIG. 8 is a cross sectional view taken at line 8-8 of FIG. 2.

**1 Claim, 8 Drawing Sheets**



# US D766,720 S

Page 2

---

(56)

## References Cited

### U.S. PATENT DOCUMENTS

D700,513 S \* 3/2014 Carsrud ..... D9/447  
D730,185 S \* 5/2015 Blanco ..... D9/439  
D730,731 S \* 6/2015 Bewley, Jr. .... D9/447

D752,915 S \* 4/2016 Castriota ..... D7/354  
2004/0045965 A1 3/2004 Dwinell et al.  
2004/0251634 A1 12/2004 Shimazu et al.  
2013/0291441 A1 11/2013 Rho

\* cited by examiner

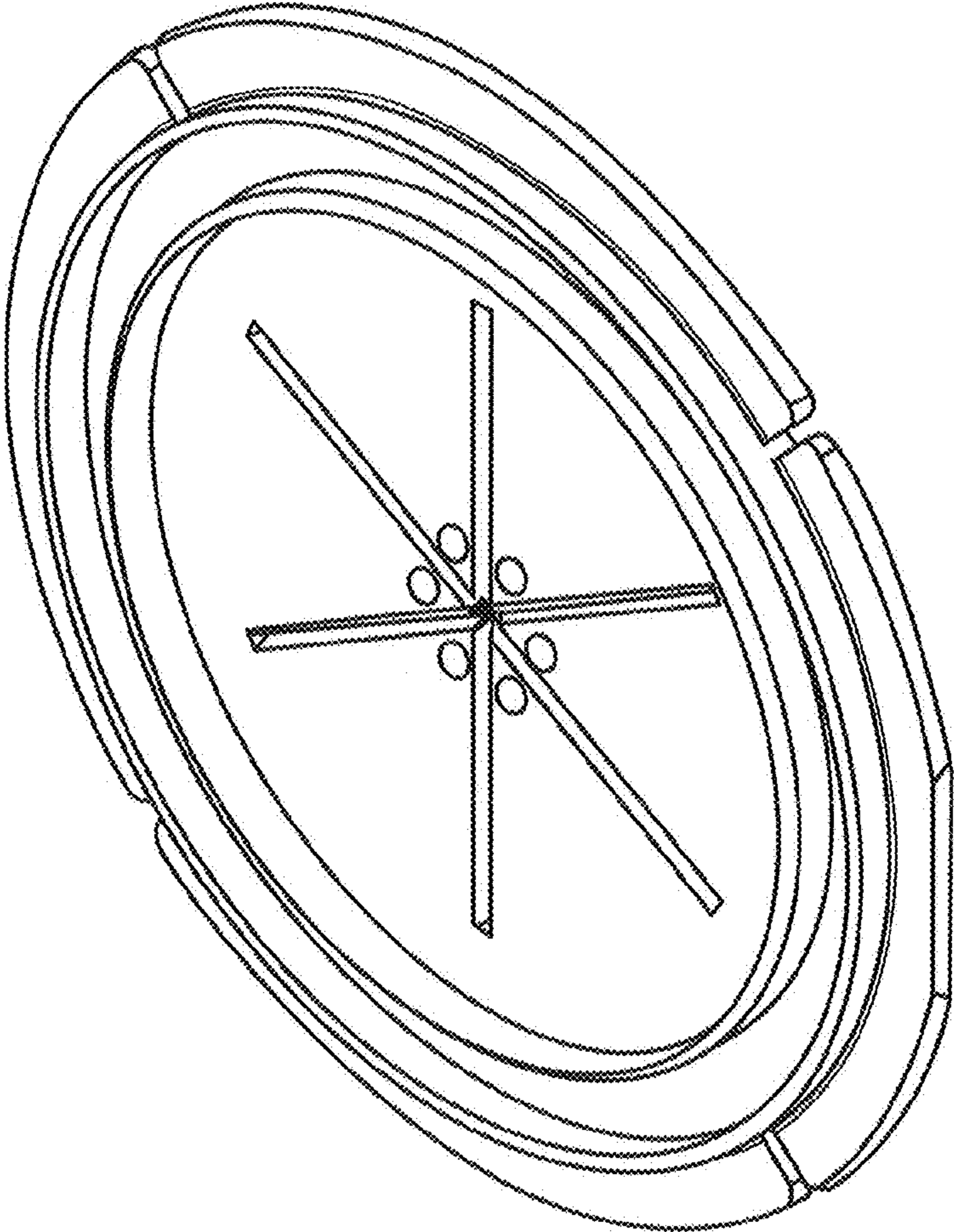


FIG. 1

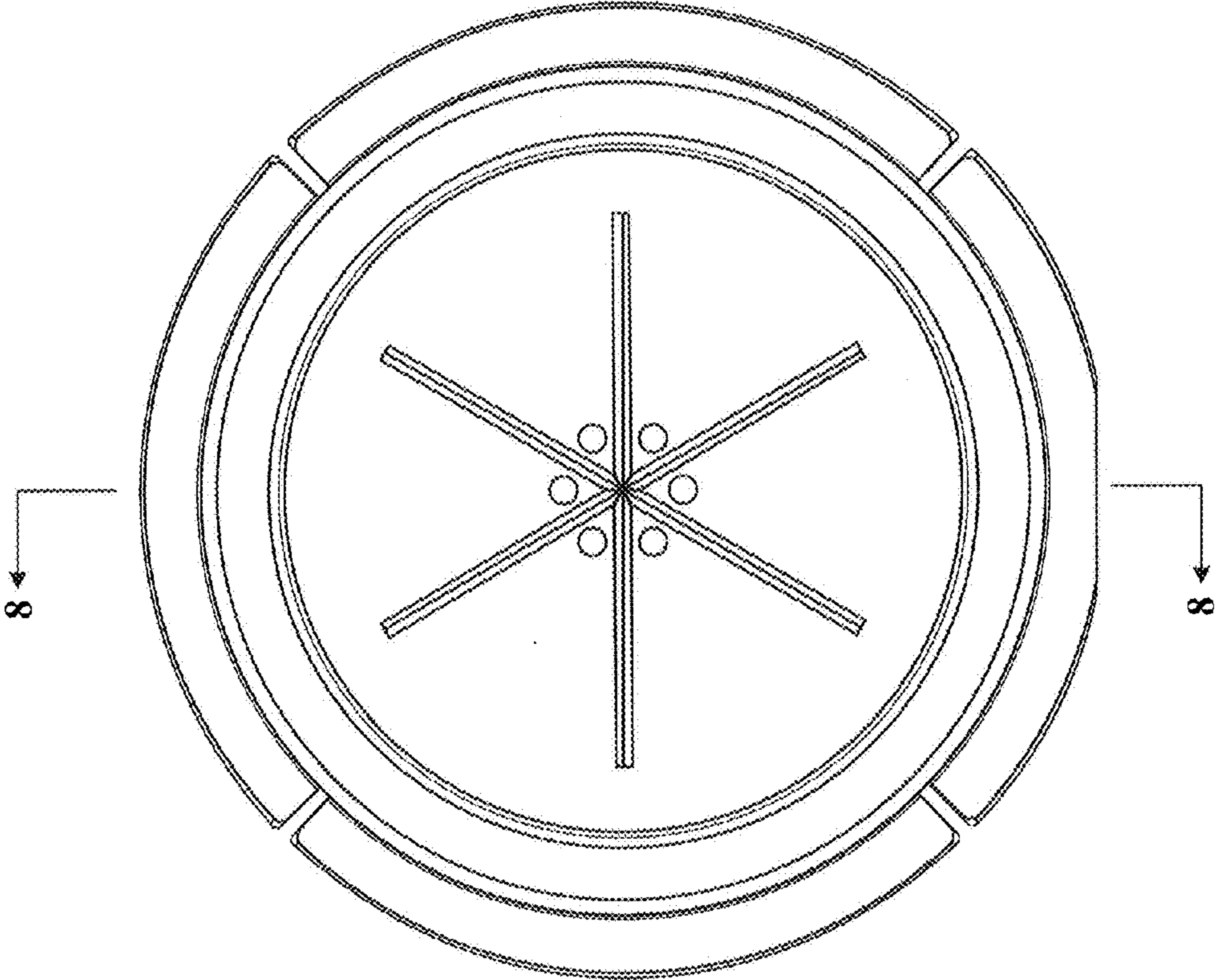


FIG. 2



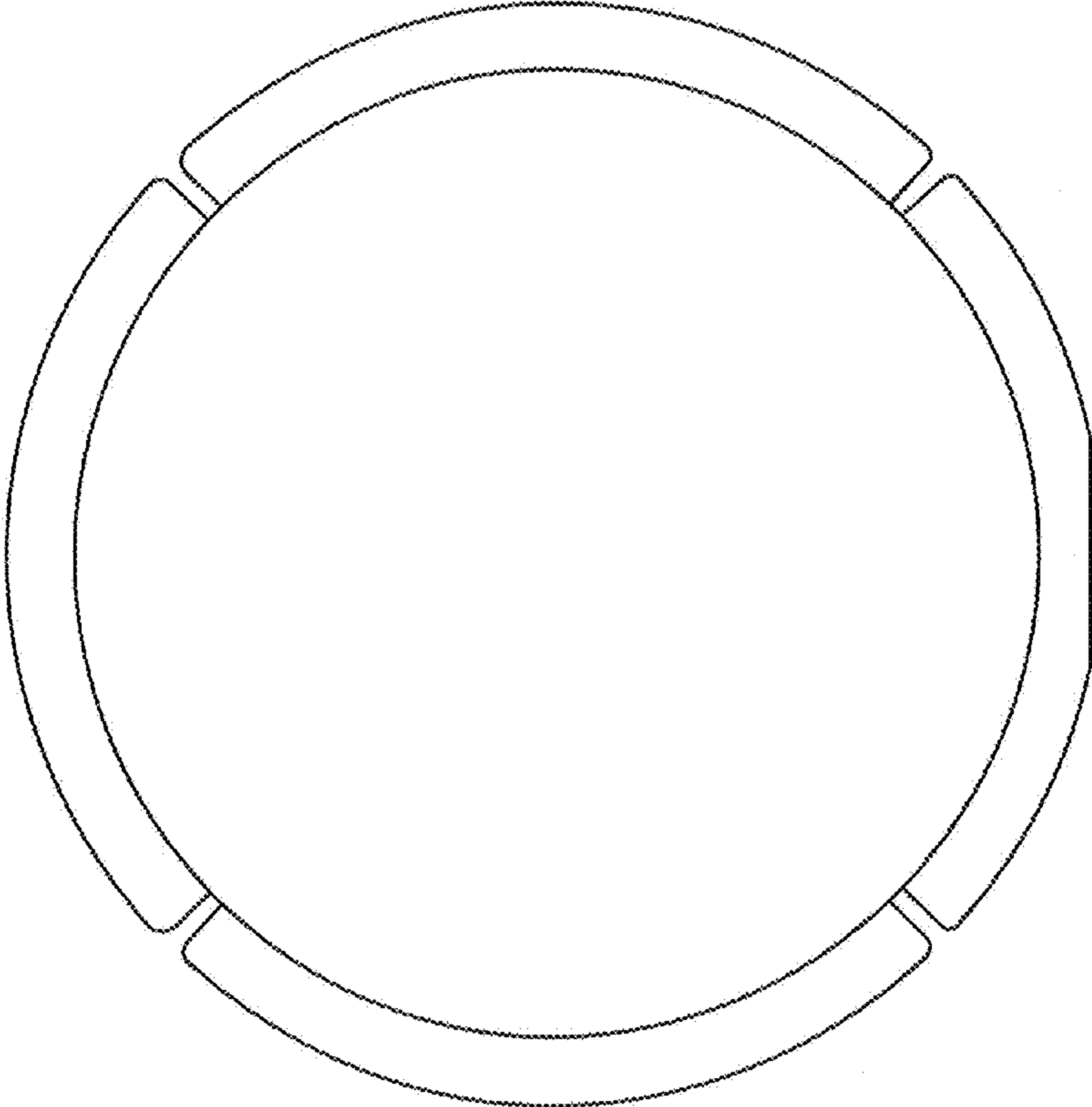


FIG. 3

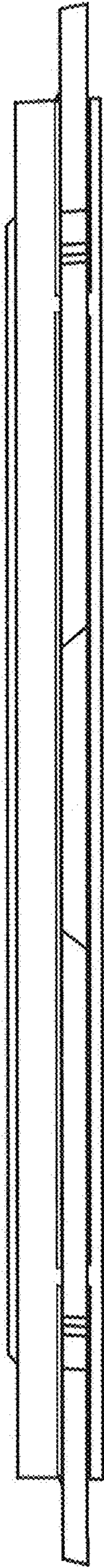


FIG. 4

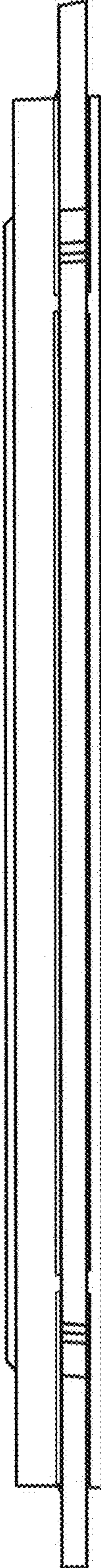


FIG. 5

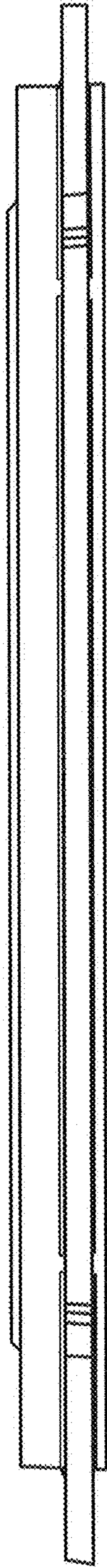


FIG. 6





FIG. 7

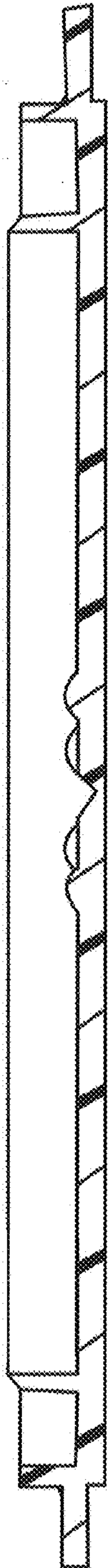


FIG. 8