



US00D766718S

(12) **United States Design Patent** (10) **Patent No.:** **US D766,718 S**
Beckers et al. (45) **Date of Patent:** **** Sep. 20, 2016**

(54) **BOX**

(71) Applicant: **Pharmalink, Inc.**, Largo, FL (US)

(72) Inventors: **Hilmer Beckers**, Largo, FL (US);
Thierry Beckers, Largo, FL (US);
Adam Bottie, Largo, FL (US)

(73) Assignee: **Pharmalink, Inc.**, Largo, FL (US)

(**) Term: **15 Years**

(21) Appl. No.: **29/547,674**

(22) Filed: **Dec. 7, 2015**

(51) **LOC (10) Cl.** **09-07**

(52) **U.S. Cl.**
USPC **D9/435; D9/433**

(58) **Field of Classification Search**
USPC D9/414-418, 420-427, 430-434;
D3/272, 273, 276, 281, 282, 302,
D3/304-309, 315; D7/601, 602
CPC B65D 5/00-5/02; B65D 5/0209-5/0272;
B65D 5/029; B65D 5/40; B65D 5/72; B65D
5/727; B65D 31/10-31/18; B65D 35/04;
B65D 35/56
See application file for complete search history.

D444,381 S * 7/2001 Barr D9/416
D719,018 S 12/2014 Levy et al.
D726,533 S * 4/2015 Northrup D9/432
9,108,793 B2 * 8/2015 Northrup B65D 5/64
D738,722 S 9/2015 Bennefeld
D743,247 S * 11/2015 Solovov, Jr. D9/414
2012/0234904 A1 * 9/2012 Costanzo, Jr. B65D 5/241
229/116.5

* cited by examiner

Primary Examiner — Vy Koenig
(74) *Attorney, Agent, or Firm* — Larson & Larson, P.A.;
Justin P. Miller; Patrick A. Reid

(57) **CLAIM**
We claim the ornamental design for a box, as shown and described.

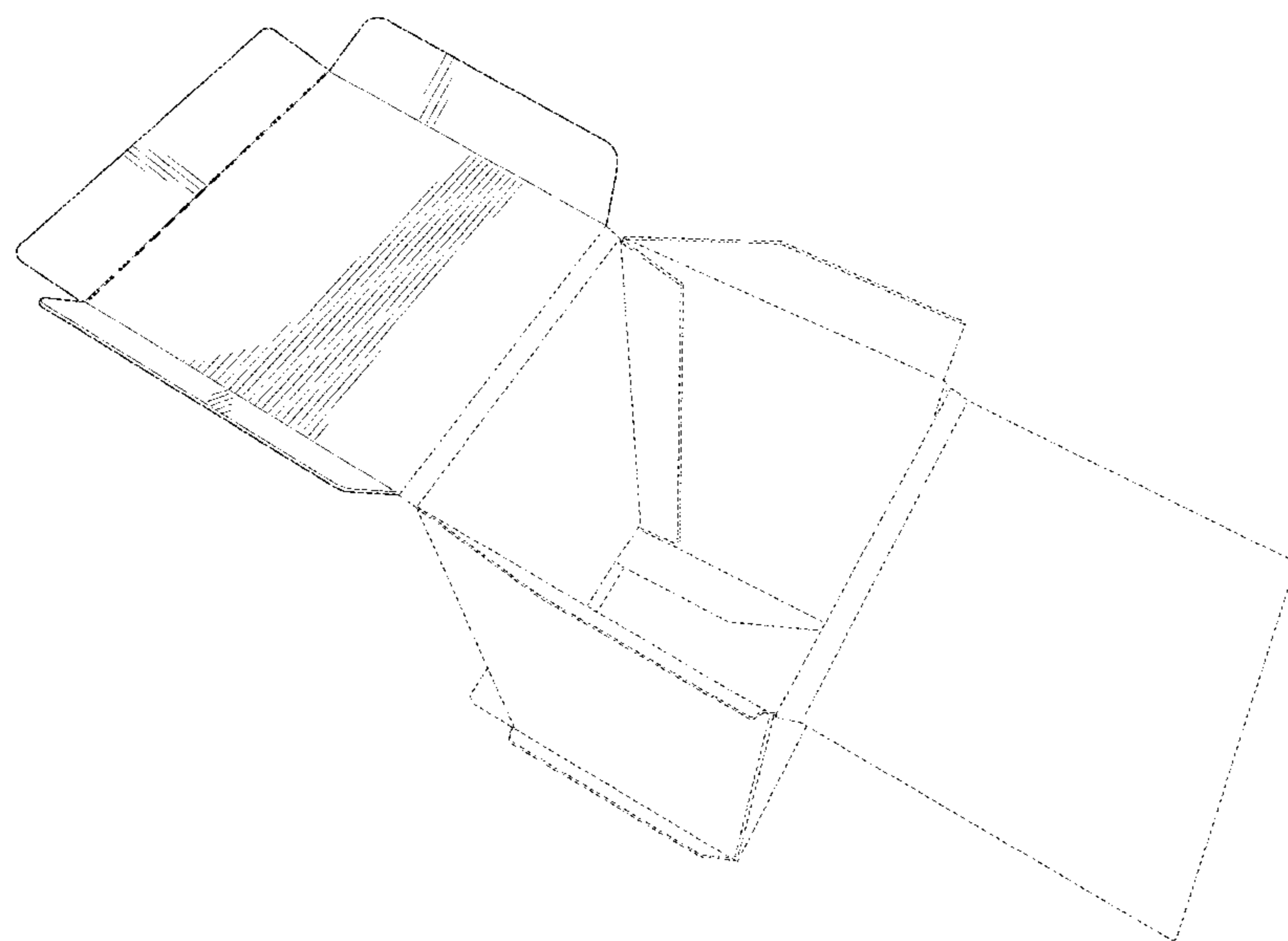
DESCRIPTION

FIG. 1 is a perspective view of the box showing our design;
FIG. 2 is a top plan view thereof;
FIG. 3 is a bottom plan view thereof;
FIG. 4 is a front elevation view thereof;
FIG. 5 is a back elevation thereof;
FIG. 6 is a right-side elevation view thereof;
FIG. 7 is a left-side elevation view thereof;
FIG. 8 is a perspective view of the top, showing the box open;
FIG. 9 is a top plan view, showing the box open; and,
FIG. 10 is a plan view of the box showing the design in flat, blank configuration.
The broken lines depicting portions of the box are for the purpose of illustrating the unclaimed portions of the article and form no part of the claimed design.

1 Claim, 9 Drawing Sheets

(56) **References Cited**
U.S. PATENT DOCUMENTS

2,443,431 A * 6/1948 Ringler B65D 5/244
229/122.33
2,731,190 A * 1/1956 Farrell B65D 5/2047
229/125.17
3,235,167 A * 2/1966 Svensson B65D 5/5435
229/149
D345,101 S * 3/1994 Abrams D9/423



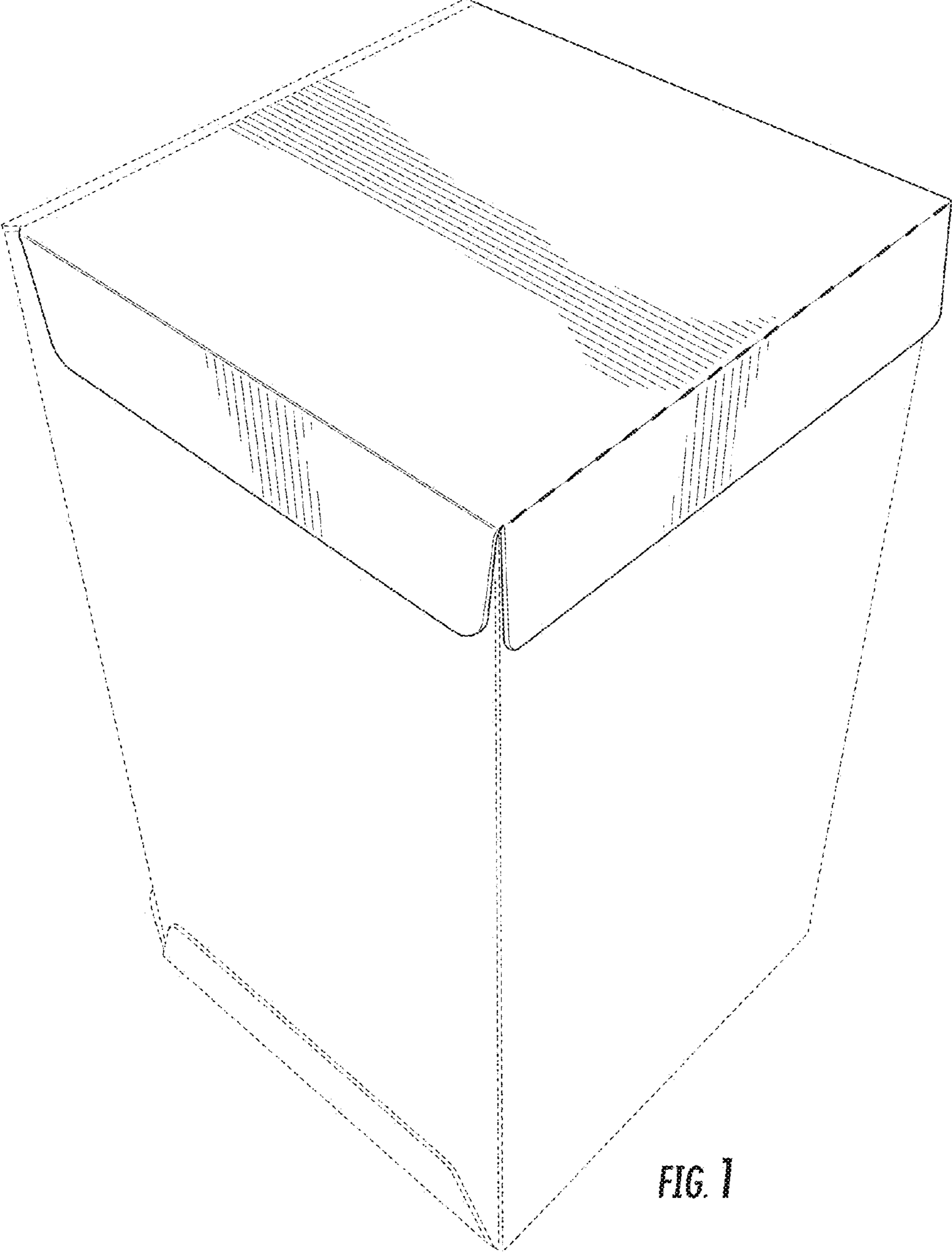


FIG. 1

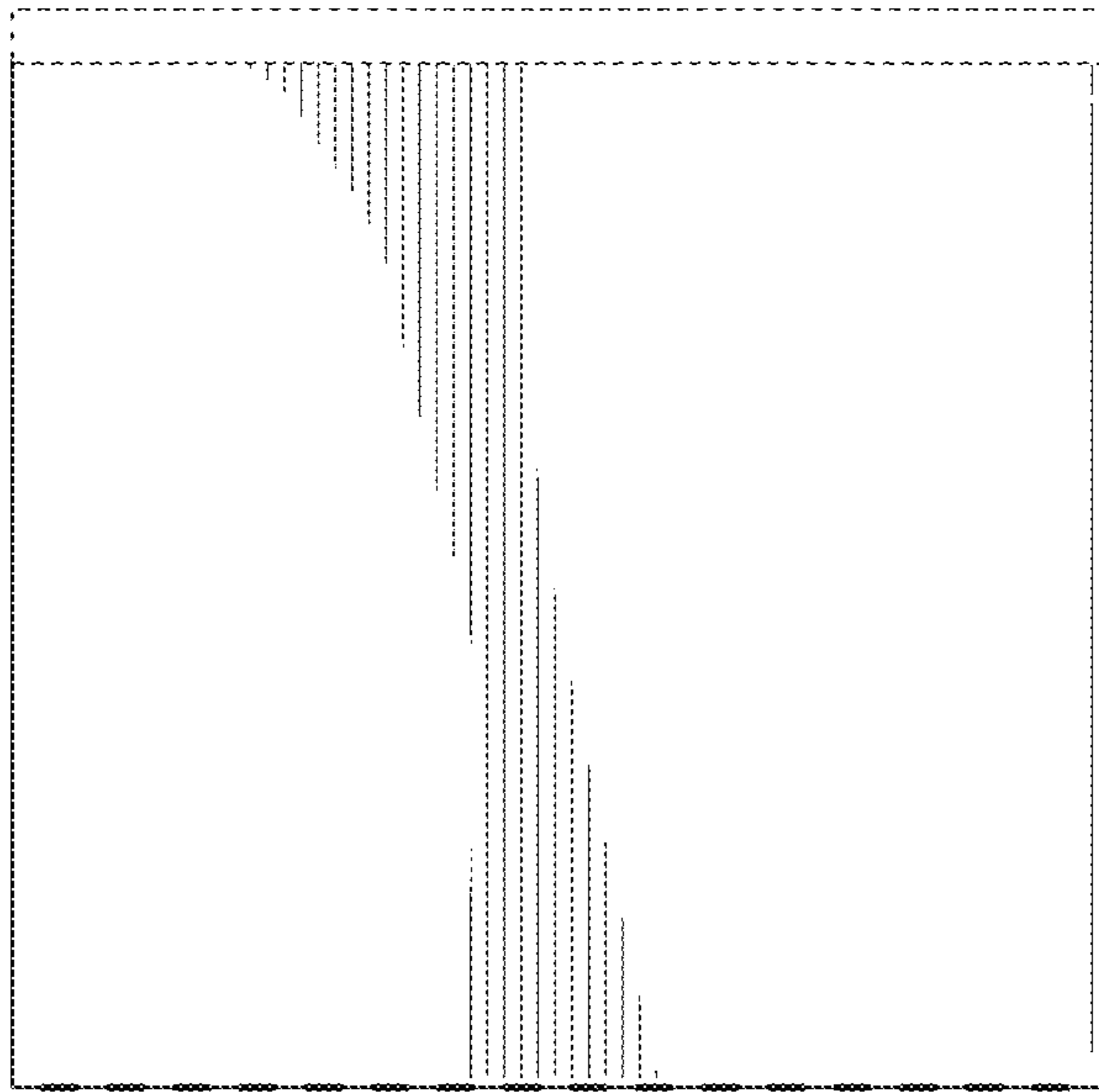


FIG. 2

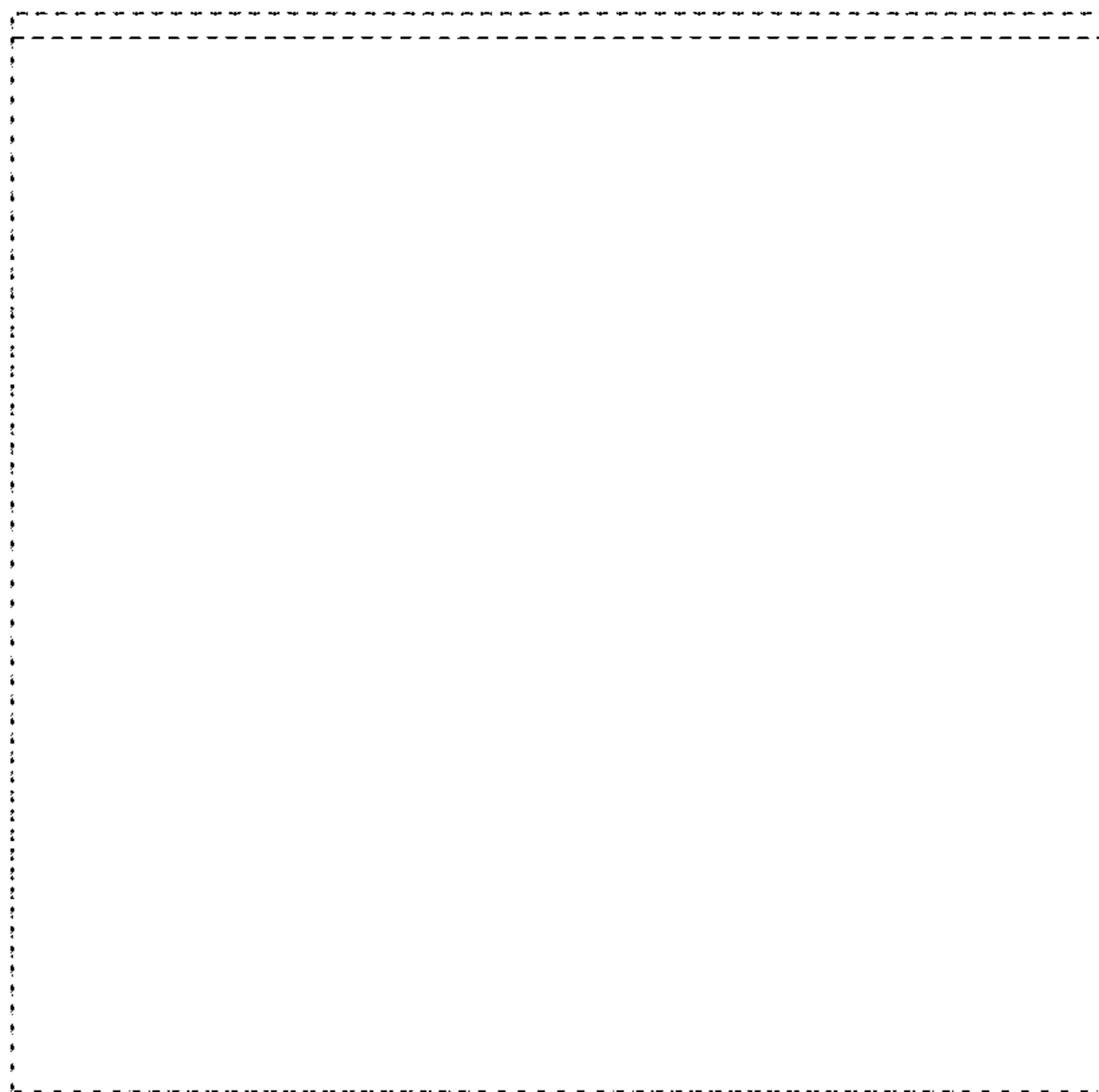


FIG. 3

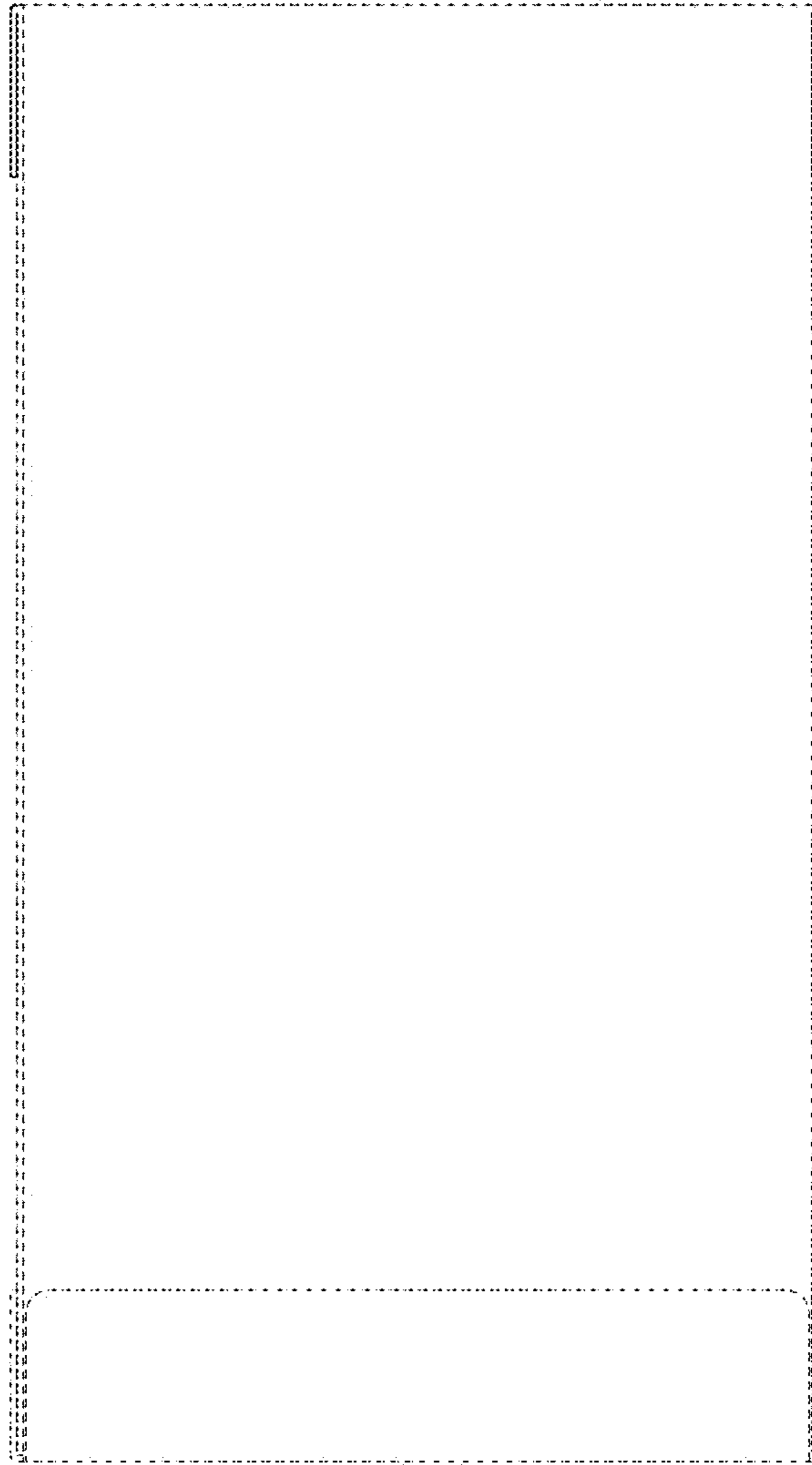


FIG. 4

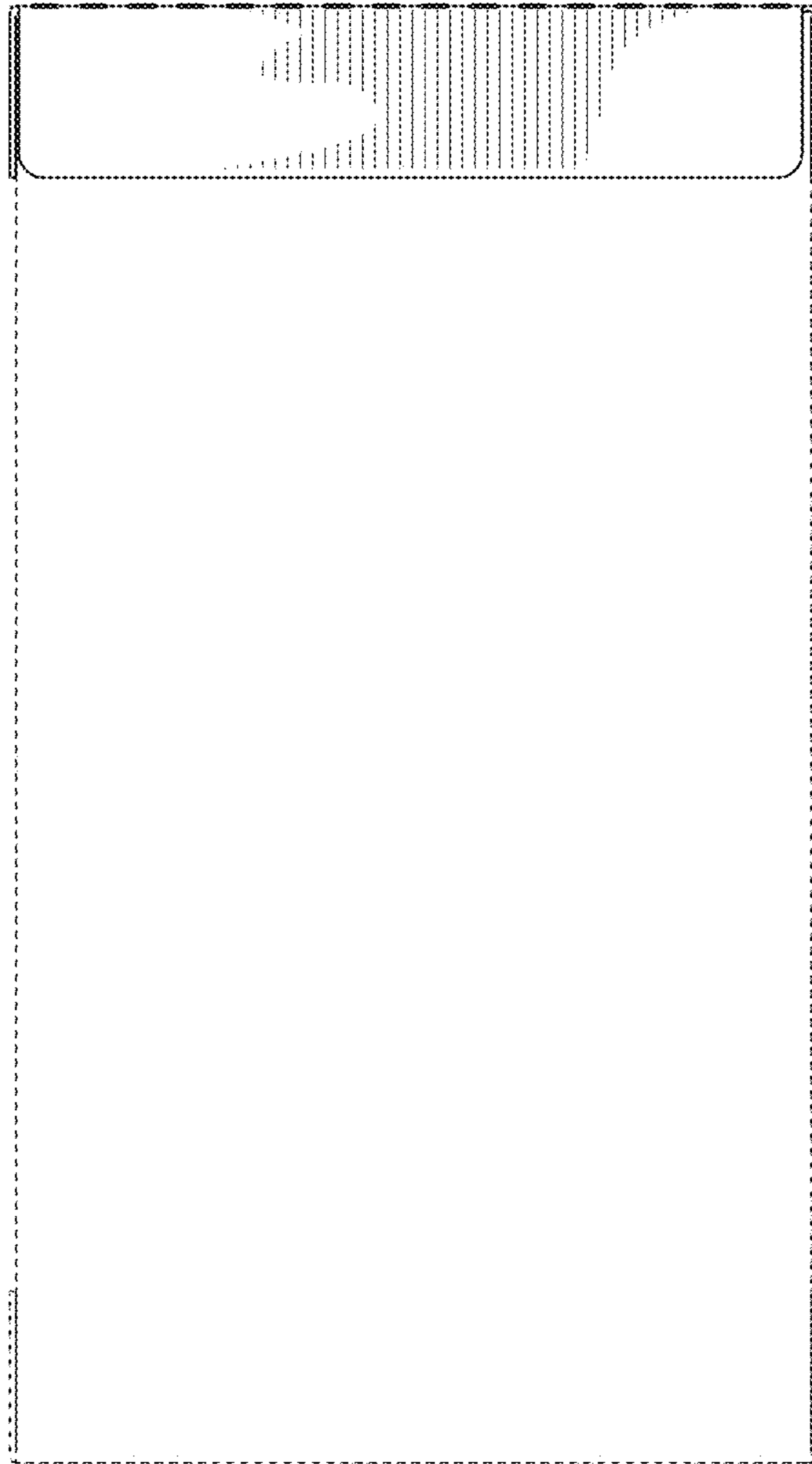


FIG. 5

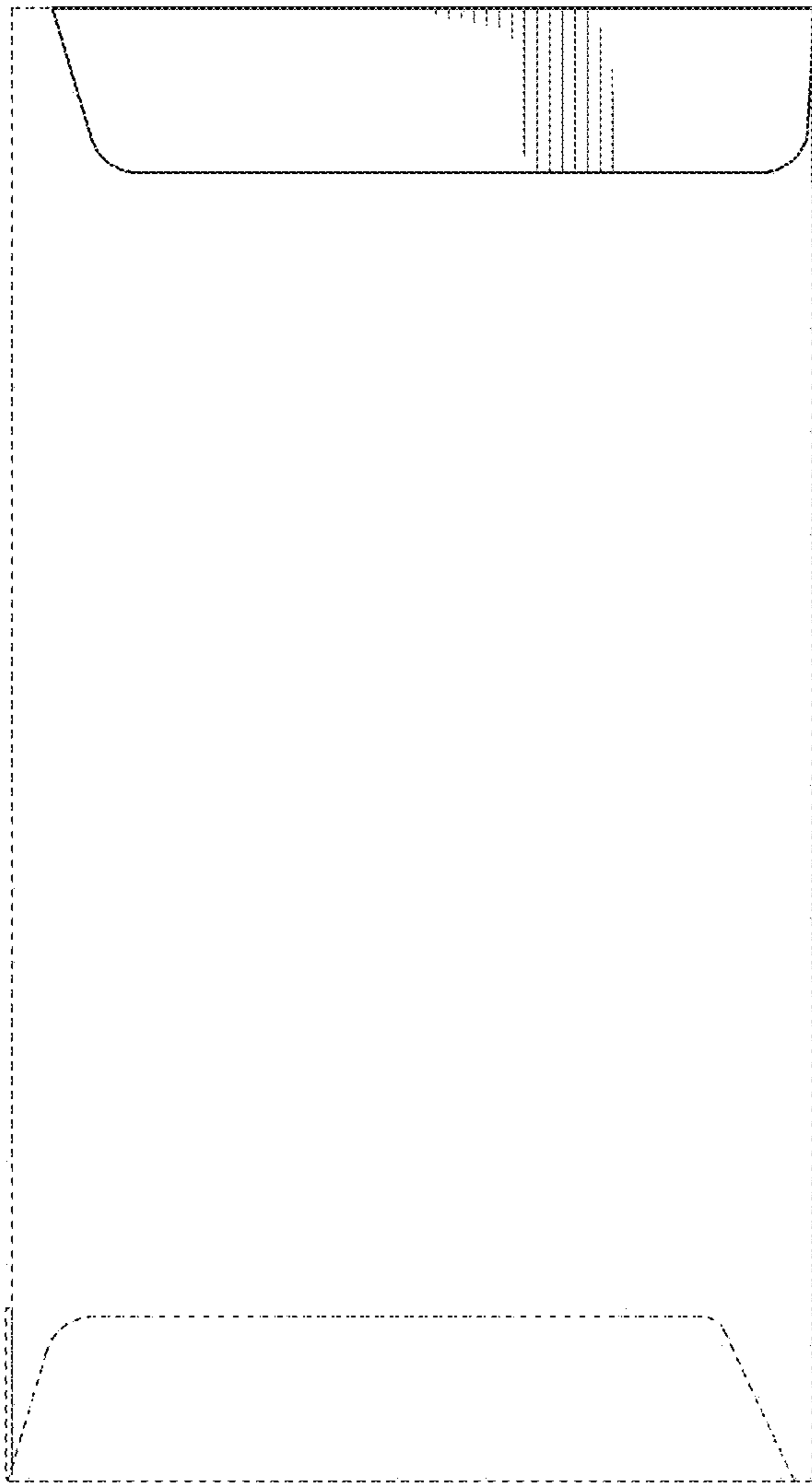


FIG. 6

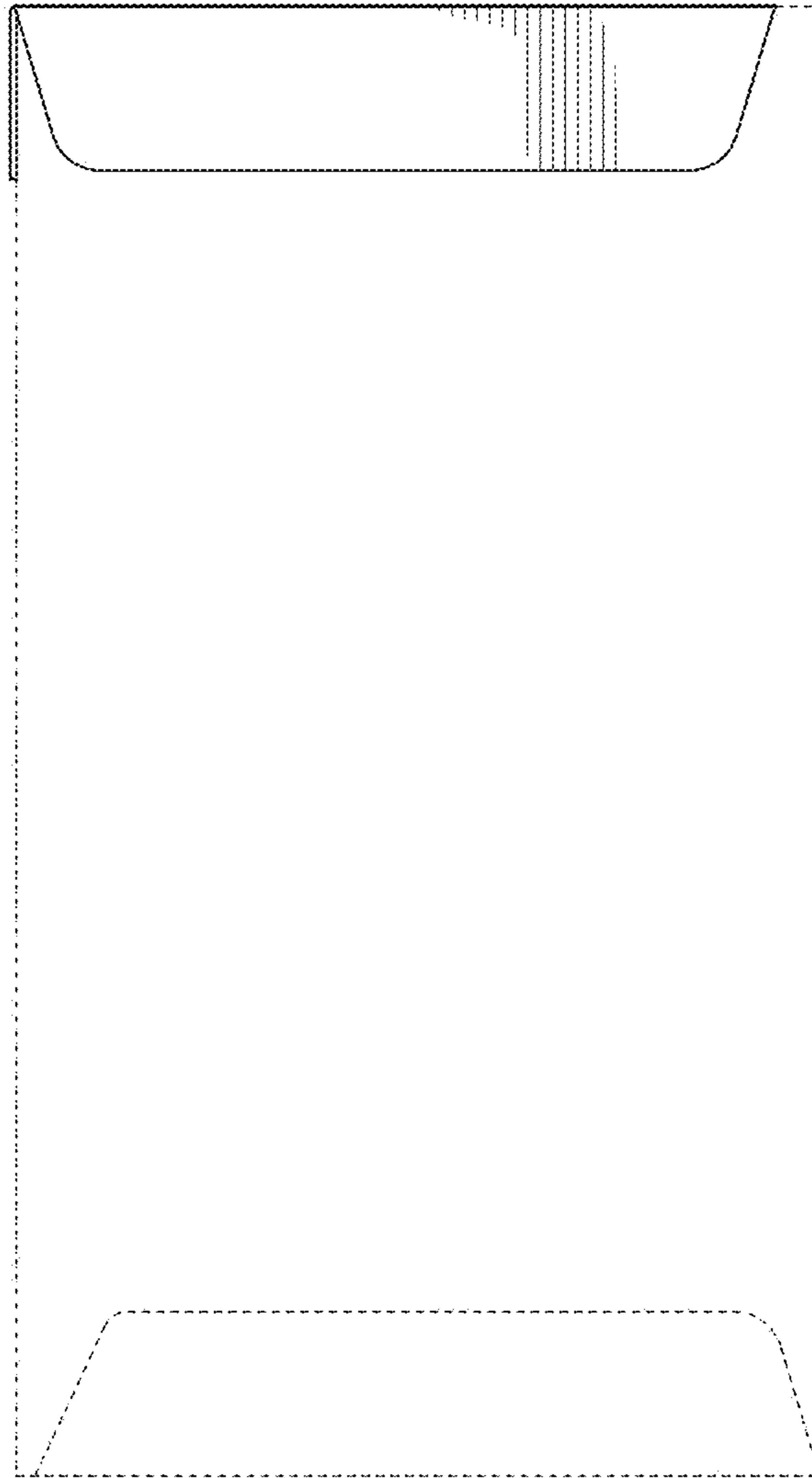


FIG. 7

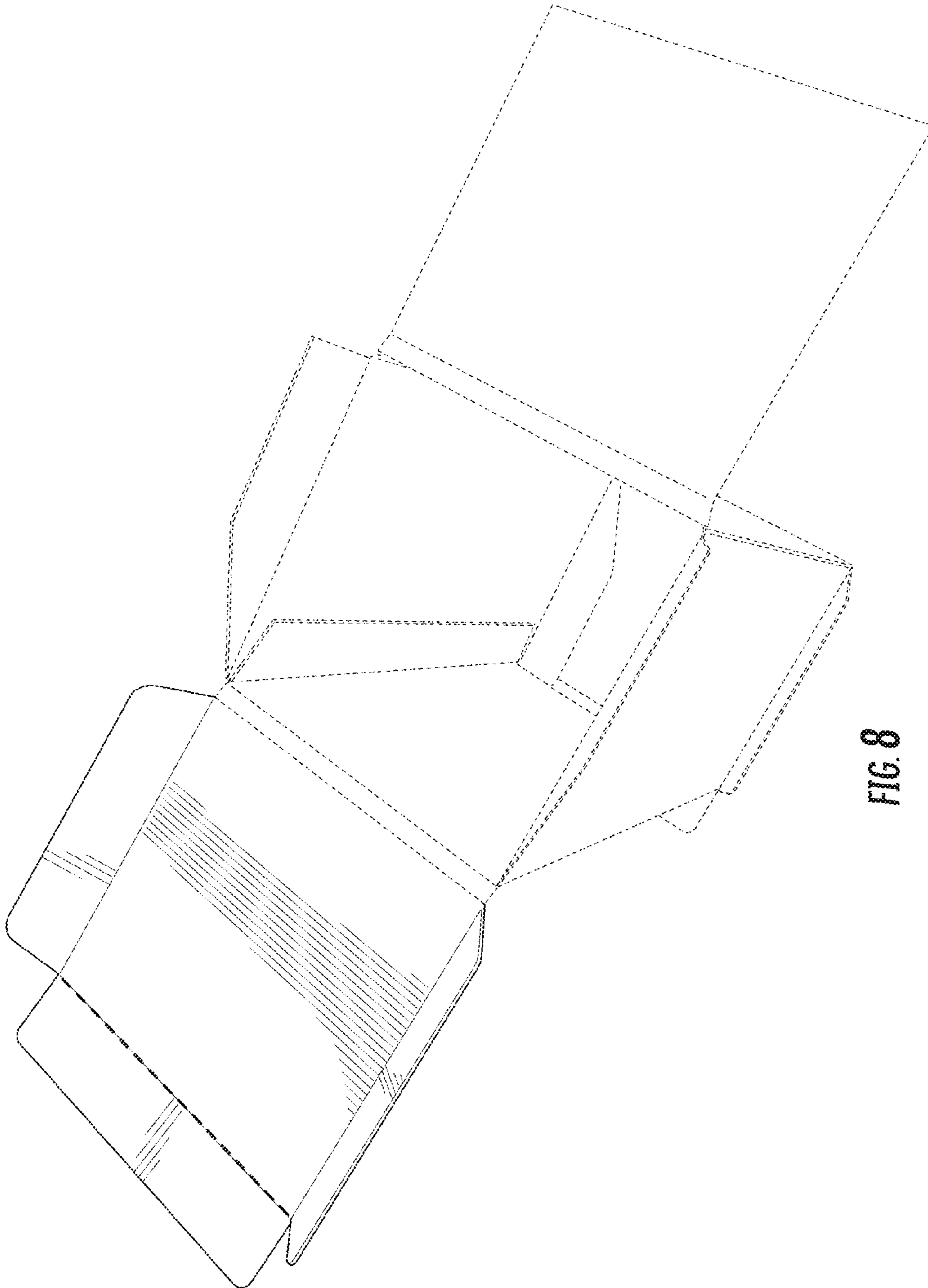


FIG. 8

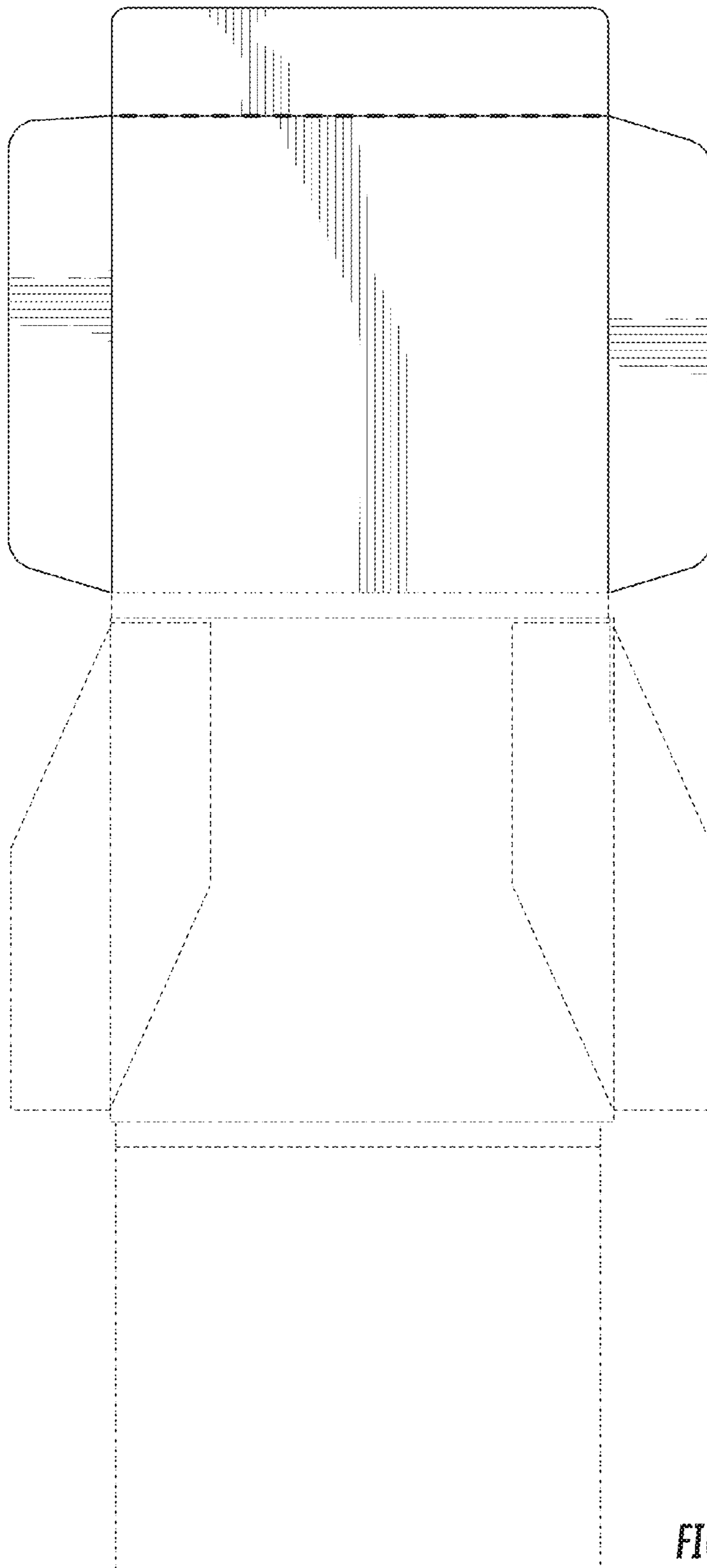


FIG. 9

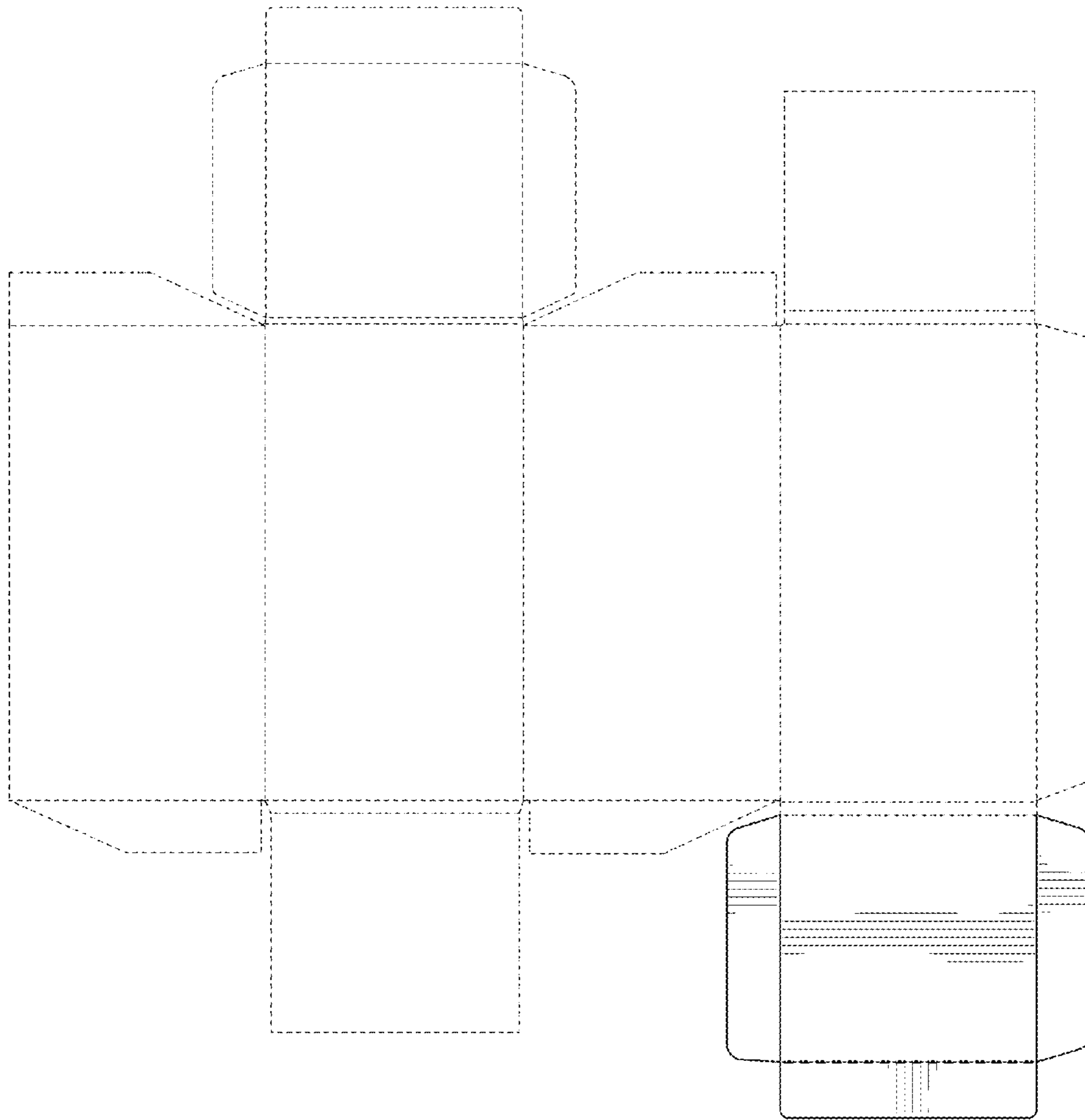


FIG. 10