



US00D766717S

(12) **United States Design Patent** (10) **Patent No.:** **US D766,717 S**
Sheikh (45) **Date of Patent:** **** Sep. 20, 2016**

- (54) **ICE BAG CAP**
- (71) Applicant: **Shahid Sheikh**, Santa Monica, CA (US)
- (72) Inventor: **Shahid Sheikh**, Santa Monica, CA (US)
- (**) Term: **14 Years**
- (21) Appl. No.: **29/494,274**
- (22) Filed: **Jun. 19, 2014**

Related U.S. Application Data

- (63) Continuation-in-part of application No. 13/327,636, filed on Dec. 15, 2011.
- (51) **LOC (10) Cl.** **09-07**
- (52) **U.S. Cl.**
USPC **D9/435; D24/207**
- (58) **Field of Classification Search**
USPC D9/435, 439, 443, 447, 449, 529, 503,
D9/682, 702-714, 516, 525, 549, 551, 564,
D9/414, 417, 422, 424;
220/203.04-203.07, 703, 288; 383/80;
493/214; D7/509, 510, 511, 900;
215/200, 235, 252, 329, 355-364, 306;
222/521, 494, 492; D28/82; D24/207;
D3/273, 201
CPC B65D 47/00; B65D 47/04; B65D 51/14;
B65D 51/18
See application file for complete search history.

(56) **References Cited**

U.S. PATENT DOCUMENTS

D51,851 S	3/1918	Bloom
D155,559 S	10/1949	Tillmann
3,095,104 A	6/1963	Stover
3,306,327 A	2/1967	Ilg
3,739,938 A	6/1973	Paz
3,750,822 A	8/1973	Dubach

D239,437 S *	4/1976	Boduch	D9/445
D244,065 S *	4/1977	Daenen	D7/584
D264,435 S	5/1982	Pettengill		
D266,906 S *	11/1982	Guerette	D9/453
D291,971 S *	9/1987	Smith	D9/447
5,090,409 A	2/1992	Genis		
D476,564 S	7/2003	Flasch		
D491,062 S	6/2004	Hoff		
6,805,207 B2	10/2004	Hagan		
7,007,817 B2	3/2006	Jochem		
D522,363 S *	6/2006	Hicks et al.	D9/449
7,073,678 B1	7/2006	Dibdin		
7,097,790 B2	8/2006	Jochem		
D528,910 S	9/2006	Kingsley		
D530,200 S	10/2006	Kingsley		
D623,943 S *	9/2010	Weld	D9/454
7,841,489 B2	11/2010	Gilbertson		
7,887,731 B2	2/2011	Schmeisser		
D640,556 S *	6/2011	Bragg et al.	D9/449
D664,035 S *	7/2012	Hu et al.	D9/435
D675,237 S *	1/2013	Broadbent et al.	D15/136
D681,459 S *	5/2013	Ramsey et al.	D9/452
D682,107 S *	5/2013	Ramsey et al.	D9/454
D711,227 S *	8/2014	Sheikh	D9/435
2002/0113032 A1	8/2002	Blomdahl		

(Continued)

FOREIGN PATENT DOCUMENTS

GB	157173 A	12/1921
GB	418807 A	10/1932

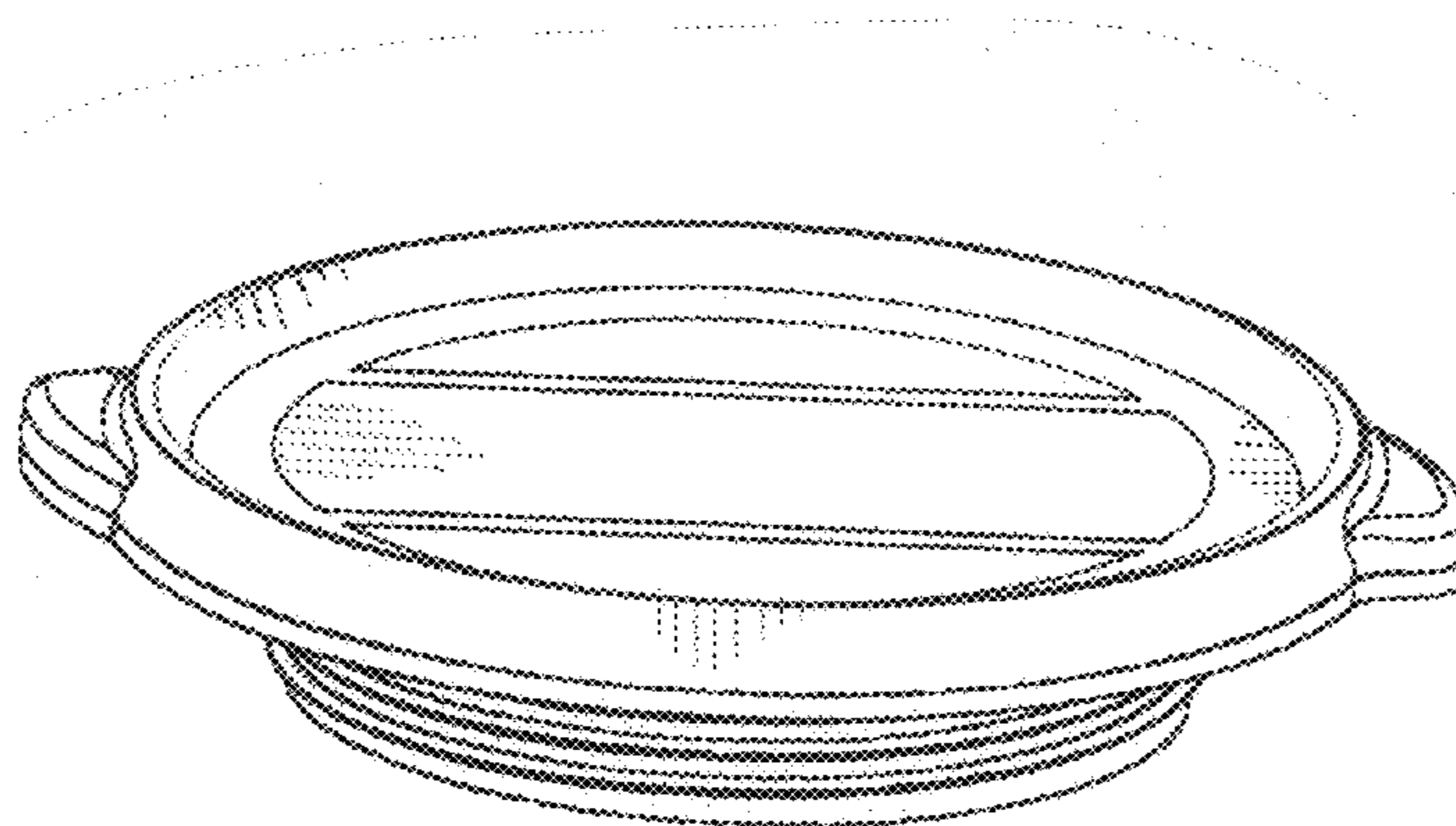
Primary Examiner — Caron D Veynar
Assistant Examiner — Abraham Bahta

(57) **CLAIM**
The ornamental design for an ice bag cap, as shown.

DESCRIPTION

FIG. 1 is a top perspective view of the ice bag cap;
FIG. 2 is a top plan view thereof;
FIG. 3 is a bottom plan view thereof; and,
FIG. 4 is a side plan view thereof.

1 Claim, 2 Drawing Sheets



US D766,717 S

Page 2

(56)

References Cited

U.S. PATENT DOCUMENTS

2003/0098286 A1 5/2003 Bloom

2008/0251492 A1 10/2008 Shi
2012/0031142 A1 2/2012 Marton
2013/0158637 A1 6/2013 Sheikh

* cited by examiner

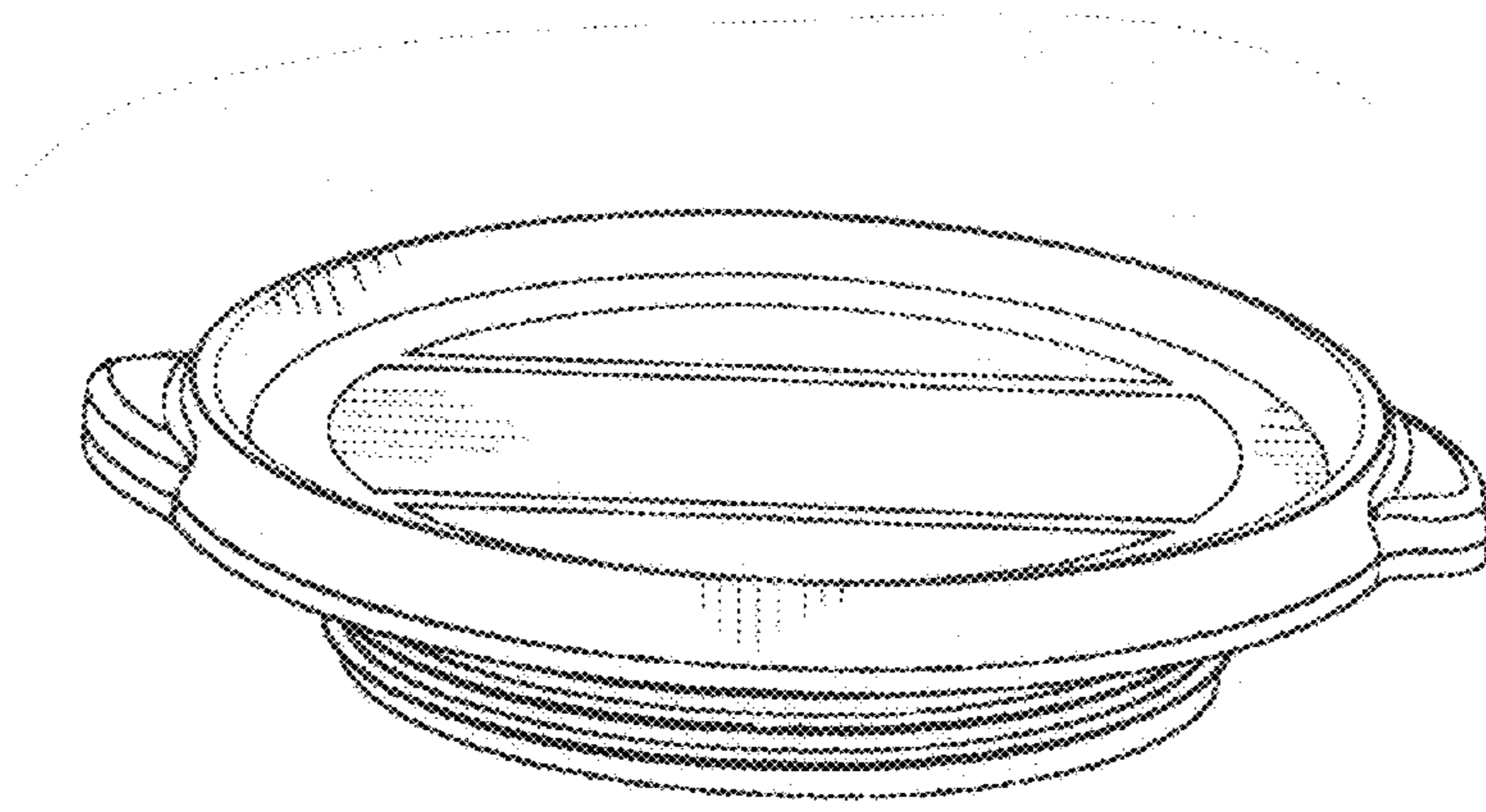


FIG. 1

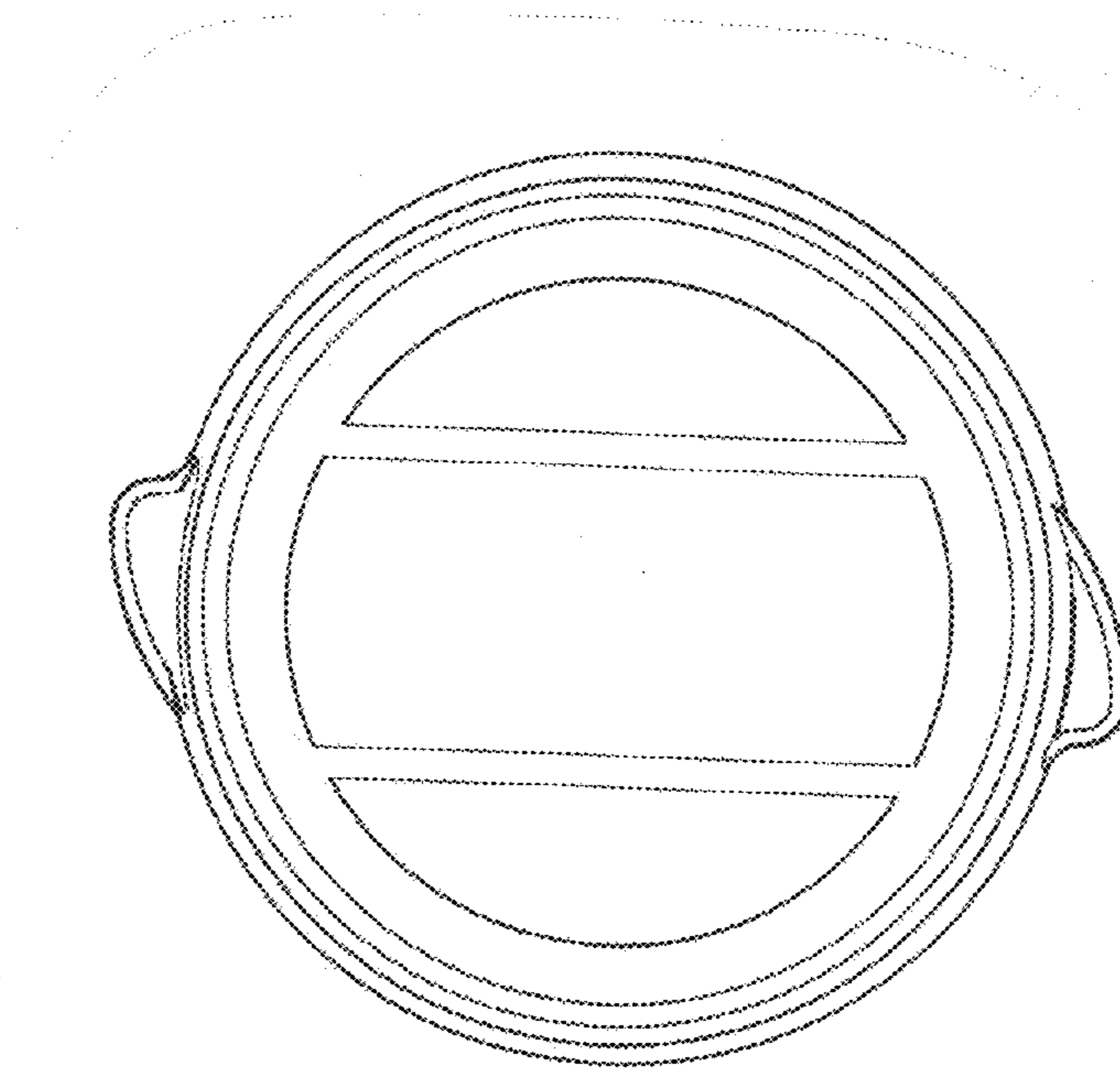


FIG. 2

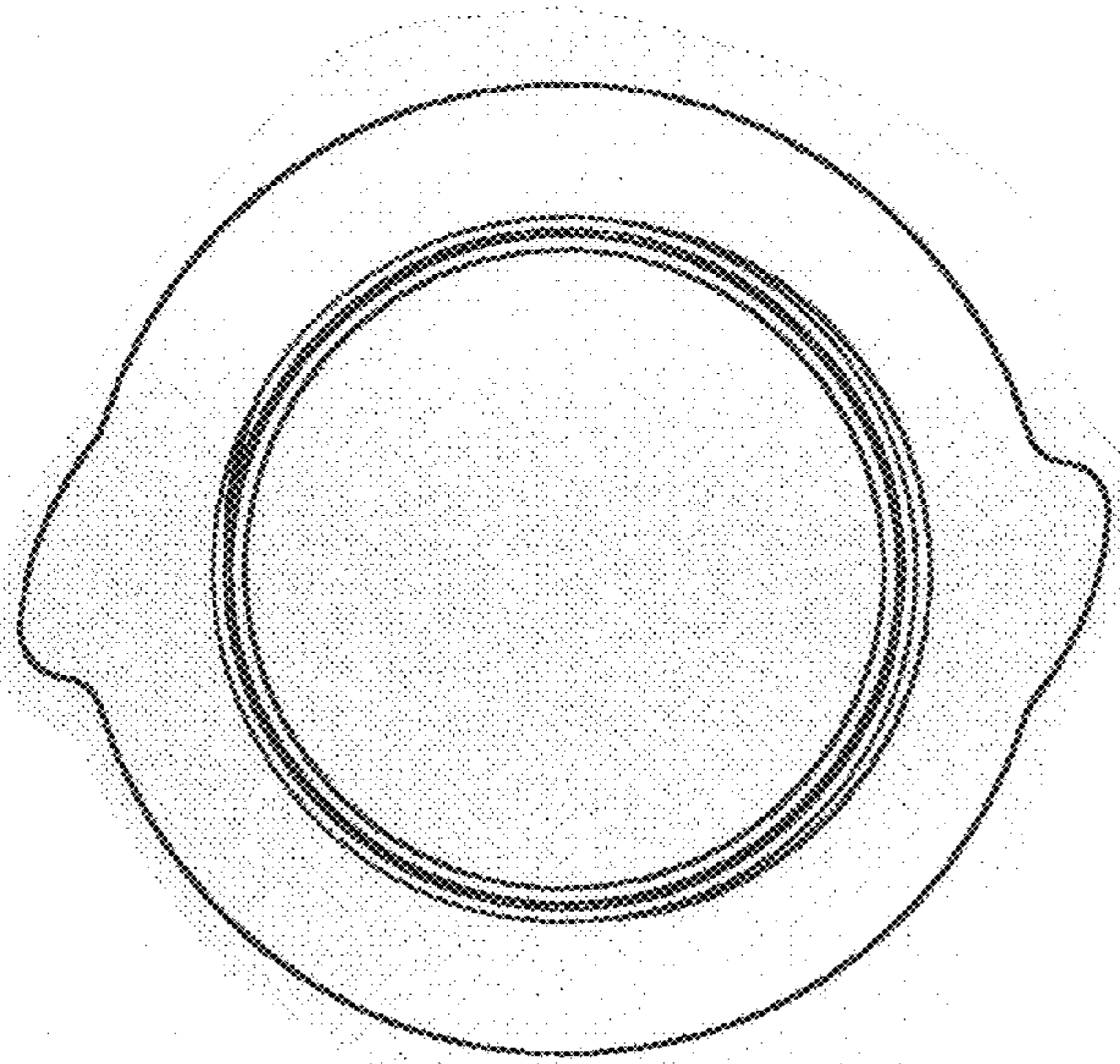


FIG. 3

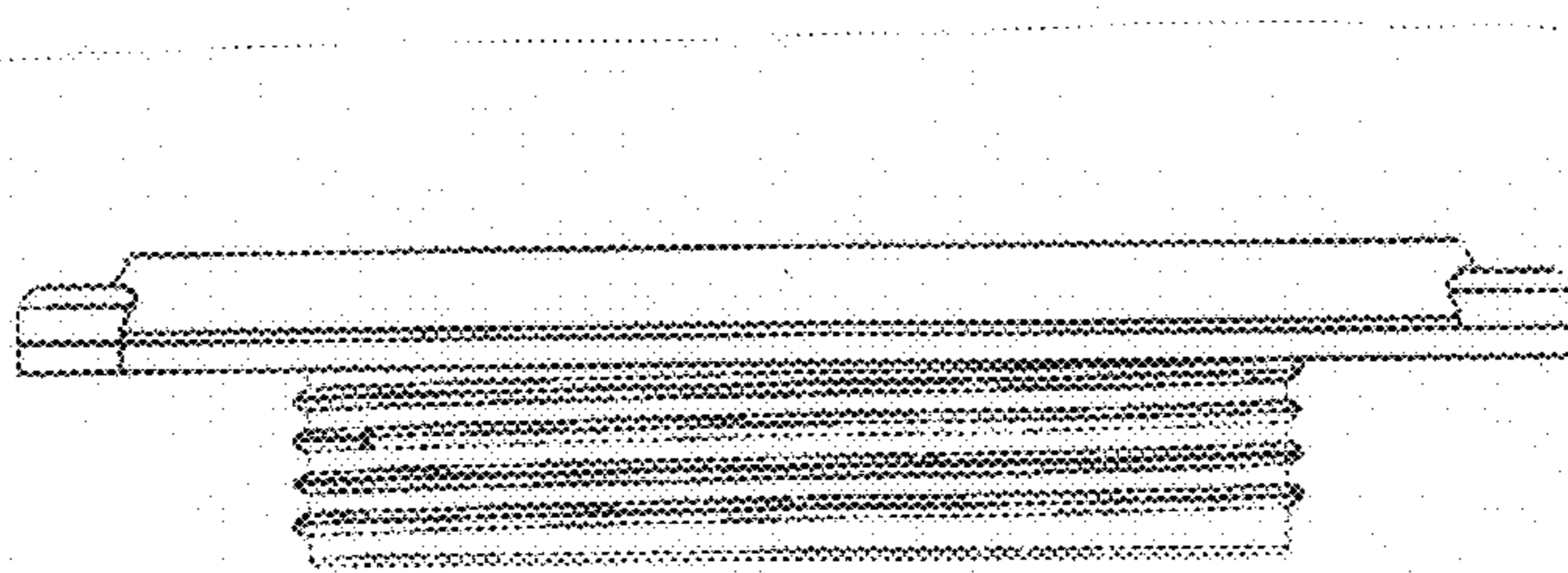


FIG. 4