



US00D766715S

(12) **United States Design Patent** (10) **Patent No.:** **US D766,715 S**
Buck (45) **Date of Patent:** **** Sep. 20, 2016**

(54) **FOOD CONTAINER**

(71) Applicant: **Ronald Mark Buck**, Encinitas, CA (US)

(72) Inventor: **Ronald Mark Buck**, Encinitas, CA (US)

(73) Assignee: **SNACKTOPS, INC.**, Carlsbad, CA (US)

(**) Term: **15 Years**

(21) Appl. No.: **29/542,070**

(22) Filed: **Oct. 9, 2015**

(51) **LOC (10) Cl.** **09-03**

(52) **U.S. Cl.**
USPC **D9/432**

(58) **Field of Classification Search**

USPC D9/430, 414, 432, 524, 516, 433, 431;
D7/543, 545, 602, 552.2, 538; 229/112

CPC B65D 1/00; B65D 5/4291; B65D 5/38;
B65D 1/225; B65D 5/002; A47F 5/11

See application file for complete search history.

(56) **References Cited**

U.S. PATENT DOCUMENTS

| | | | | |
|--------------|---------|------------|-------|--------|
| D296,191 S * | 6/1988 | Yoshida | | D9/425 |
| D719,019 S * | 12/2014 | Avis | | D9/424 |
| D719,020 S * | 12/2014 | Avis | | D9/424 |
| D740,652 S * | 10/2015 | Makhsudova | | D9/418 |
| D758,191 S * | 6/2016 | Tu | | D9/414 |
| D760,073 S * | 6/2016 | Mather | | D9/432 |

* cited by examiner

Primary Examiner — Cynthia Underwood

(74) *Attorney, Agent, or Firm* — Manuel de la Cerra

(57) **CLAIM**

The ornamental design for a food container, as shown and described.

DESCRIPTION

FIG. 1 is a top perspective view of a food container.

FIG. 2 is a bottom perspective view thereof

FIG. 3 is a top perspective view thereof, attached to a beverage container and a peel off lid, shown reduced in scale.

FIG. 4 is a bottom perspective view thereof, attached to a beverage container and a peel off lid, shown reduced in scale.

FIG. 5 is a top perspective view thereof, detached from a beverage container and a peel off lid, shown reduced in scale.

FIG. 6 is a bottom perspective view thereof, detached from a beverage container and a peel off lid, shown reduced in scale.

FIG. 7 is a top view of FIG. 1.

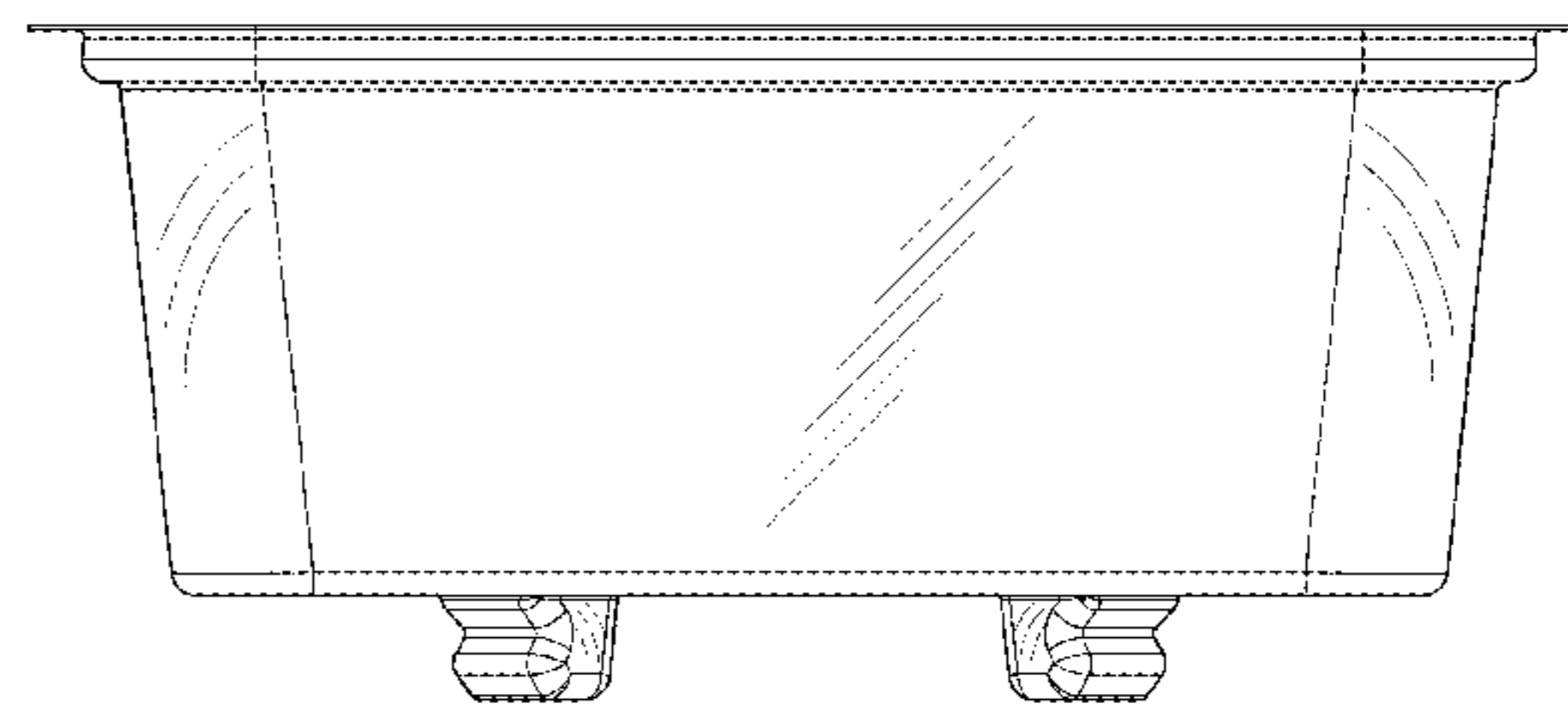
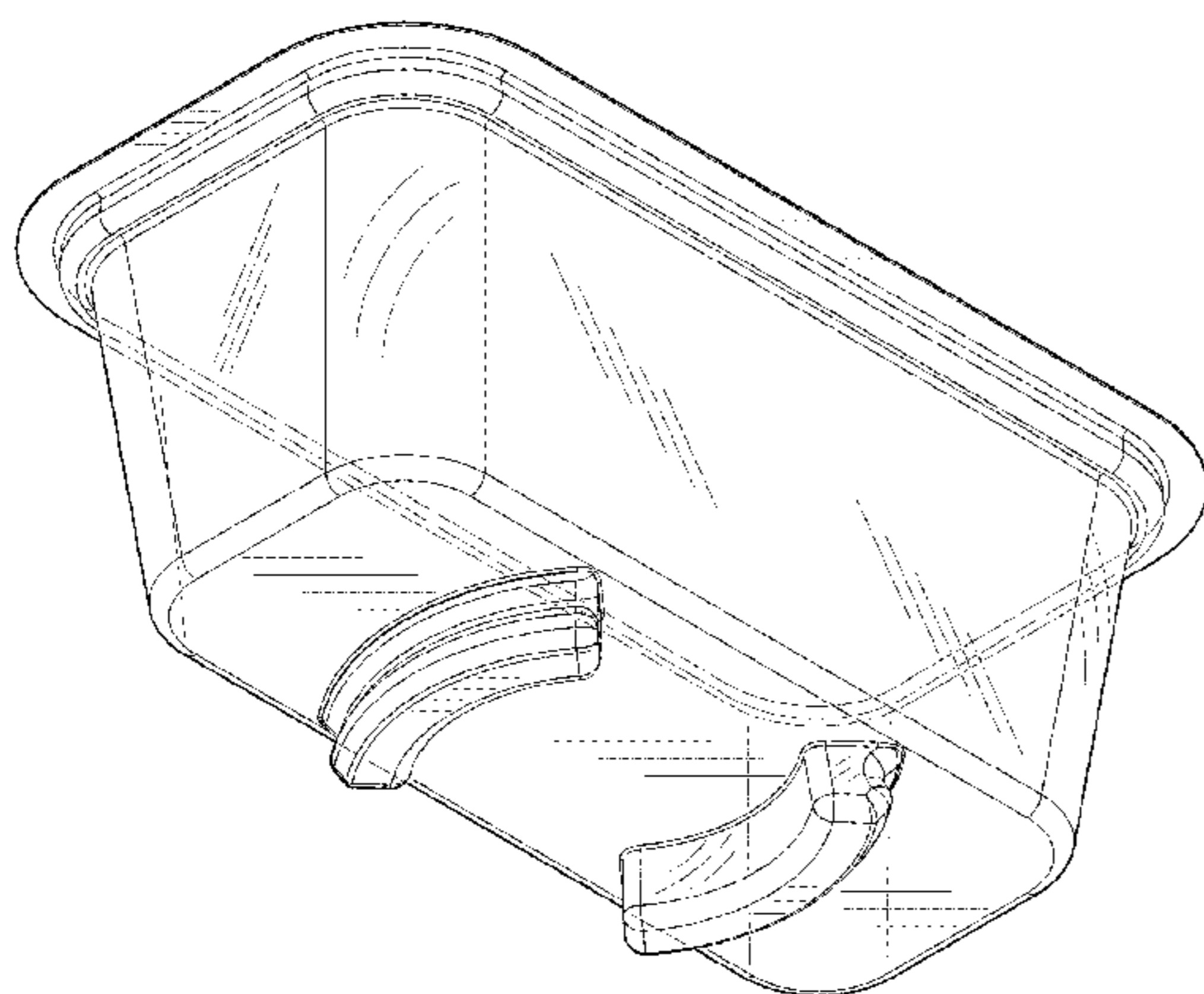
FIG. 8 is a bottom view thereof.

FIG. 9 is a front view thereof (rear view is mirror image); and,

FIG. 10 is a left side view thereof (right side is mirror image).

The broken lines represent environment that forms no part of the claim.

1 Claim, 6 Drawing Sheets



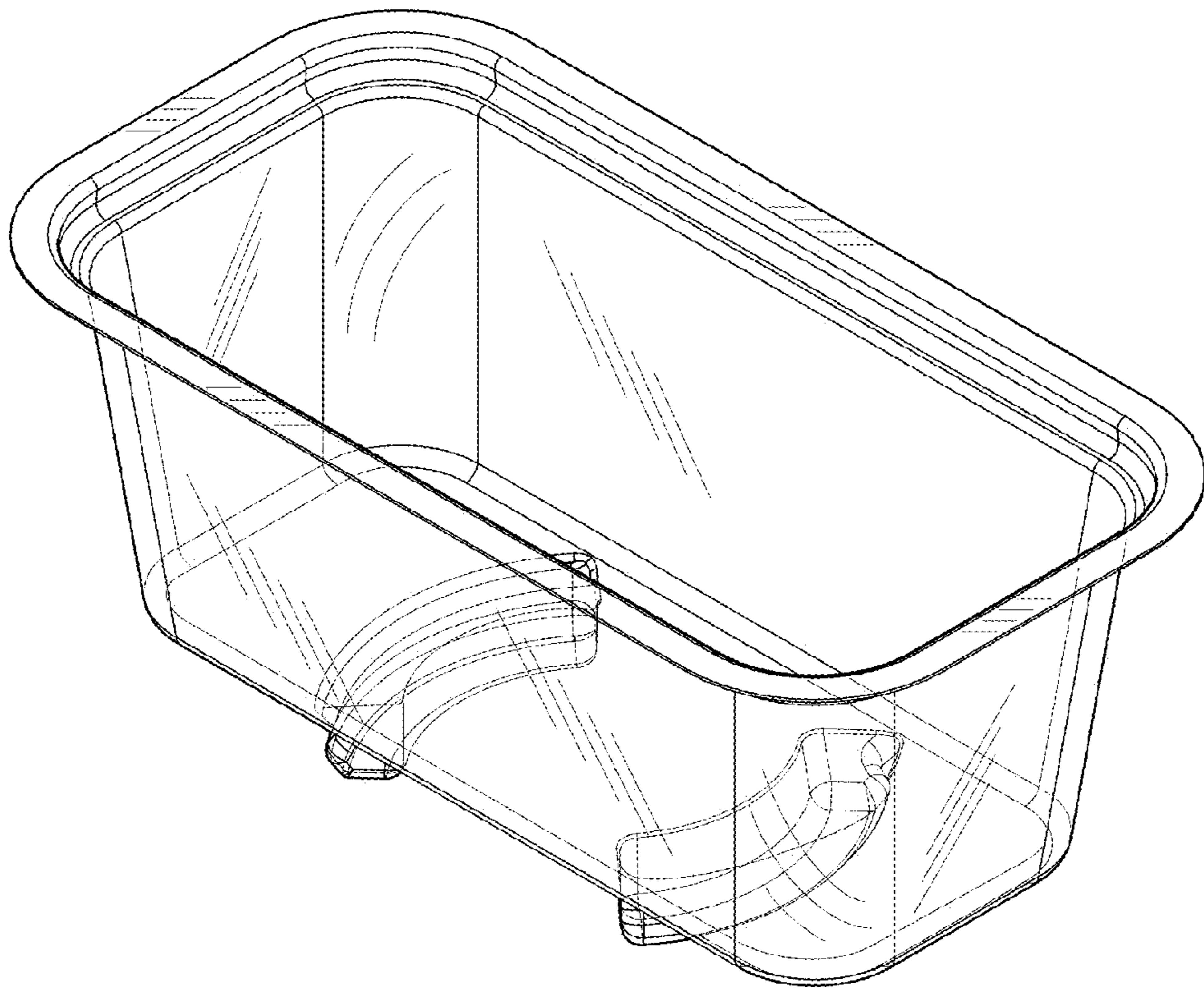


FIG. 1

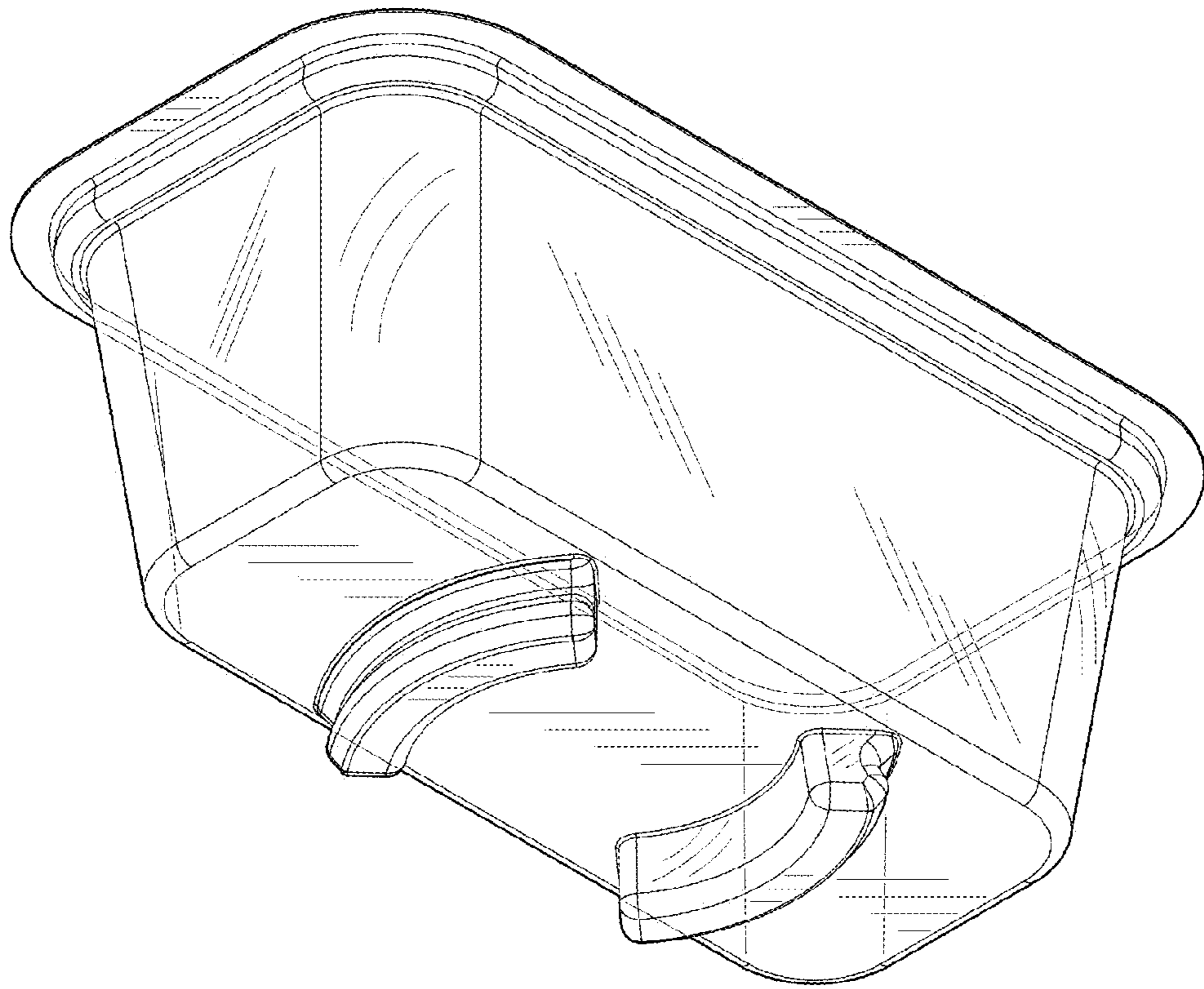


FIG. 2

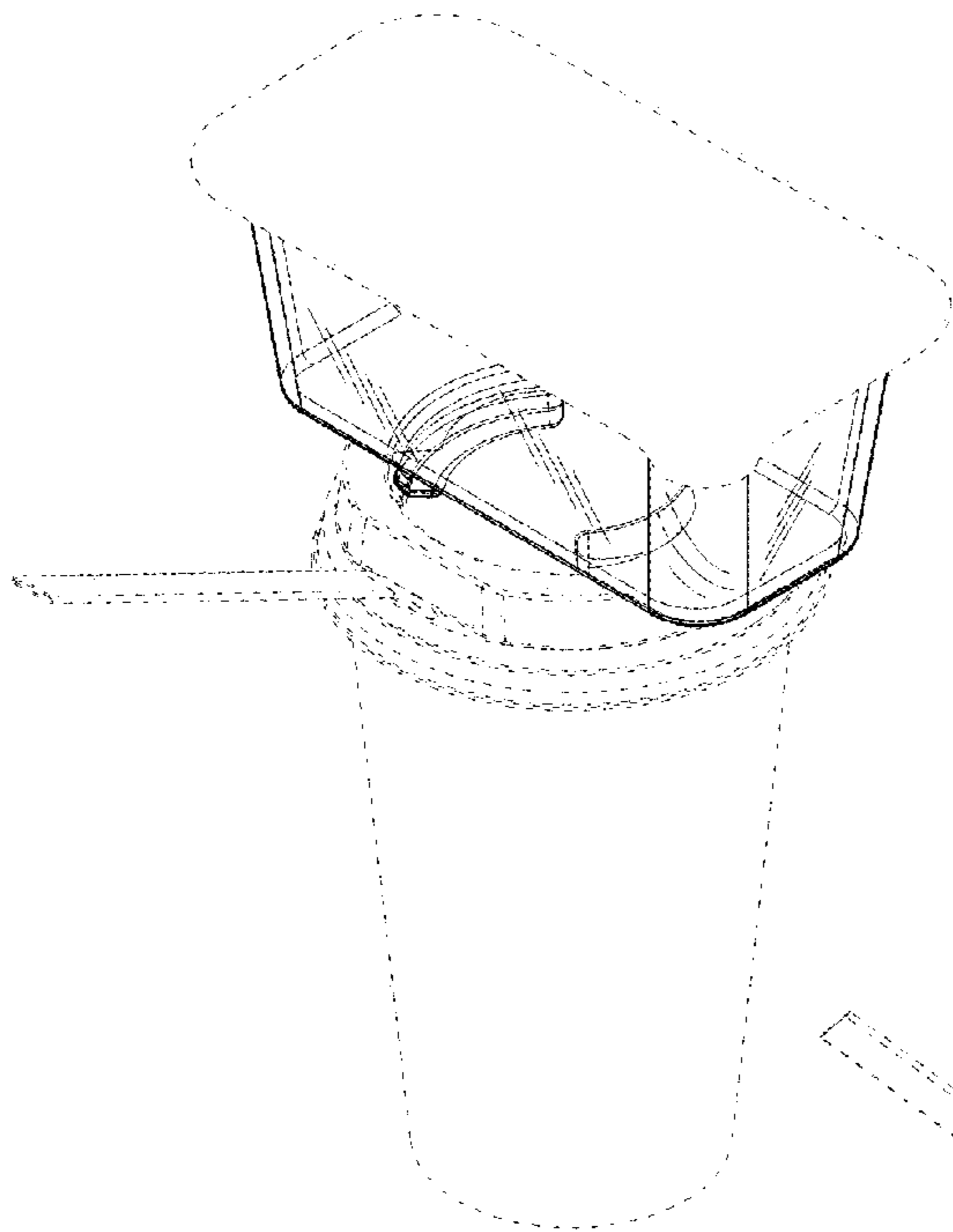


FIG. 3

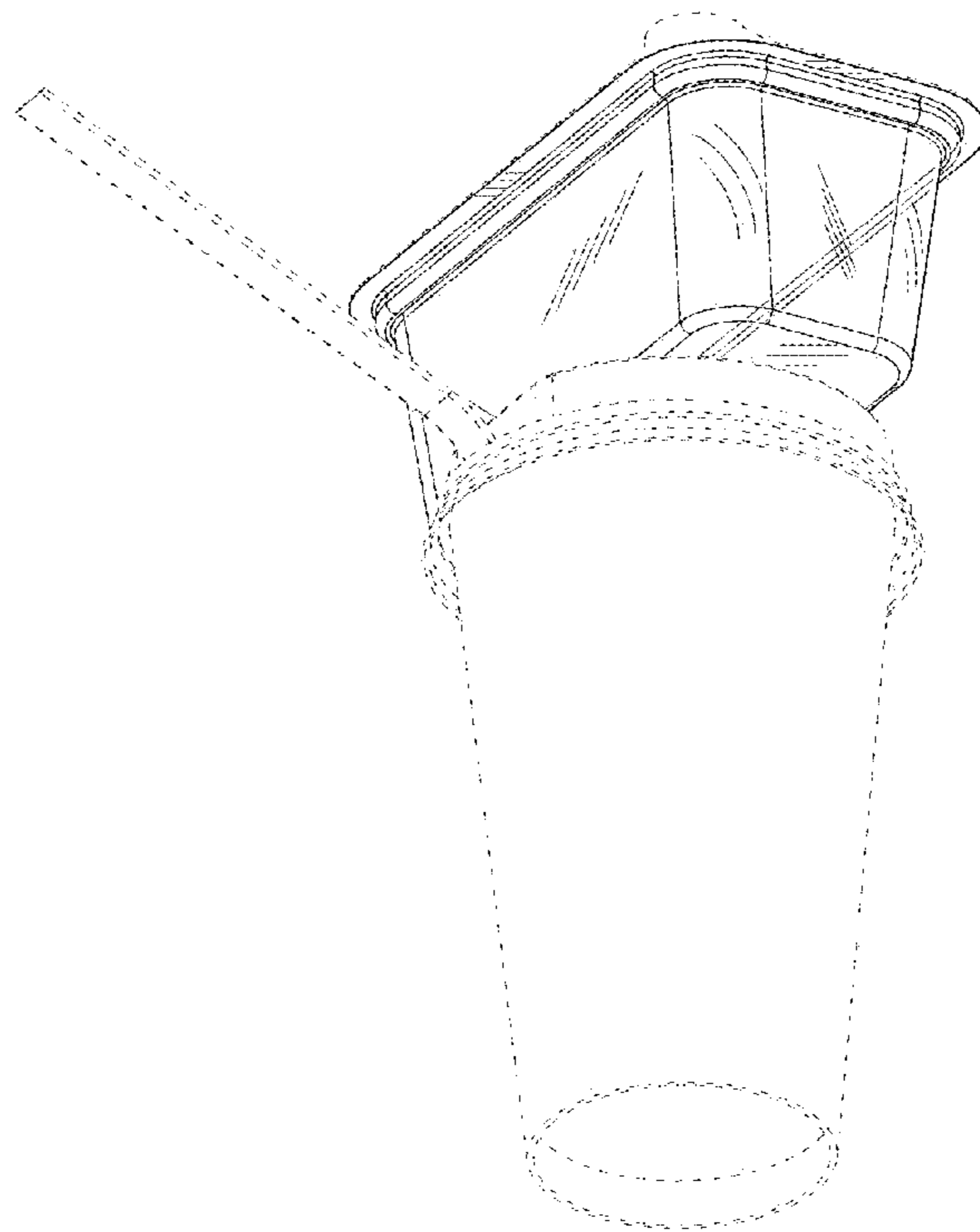


FIG. 4

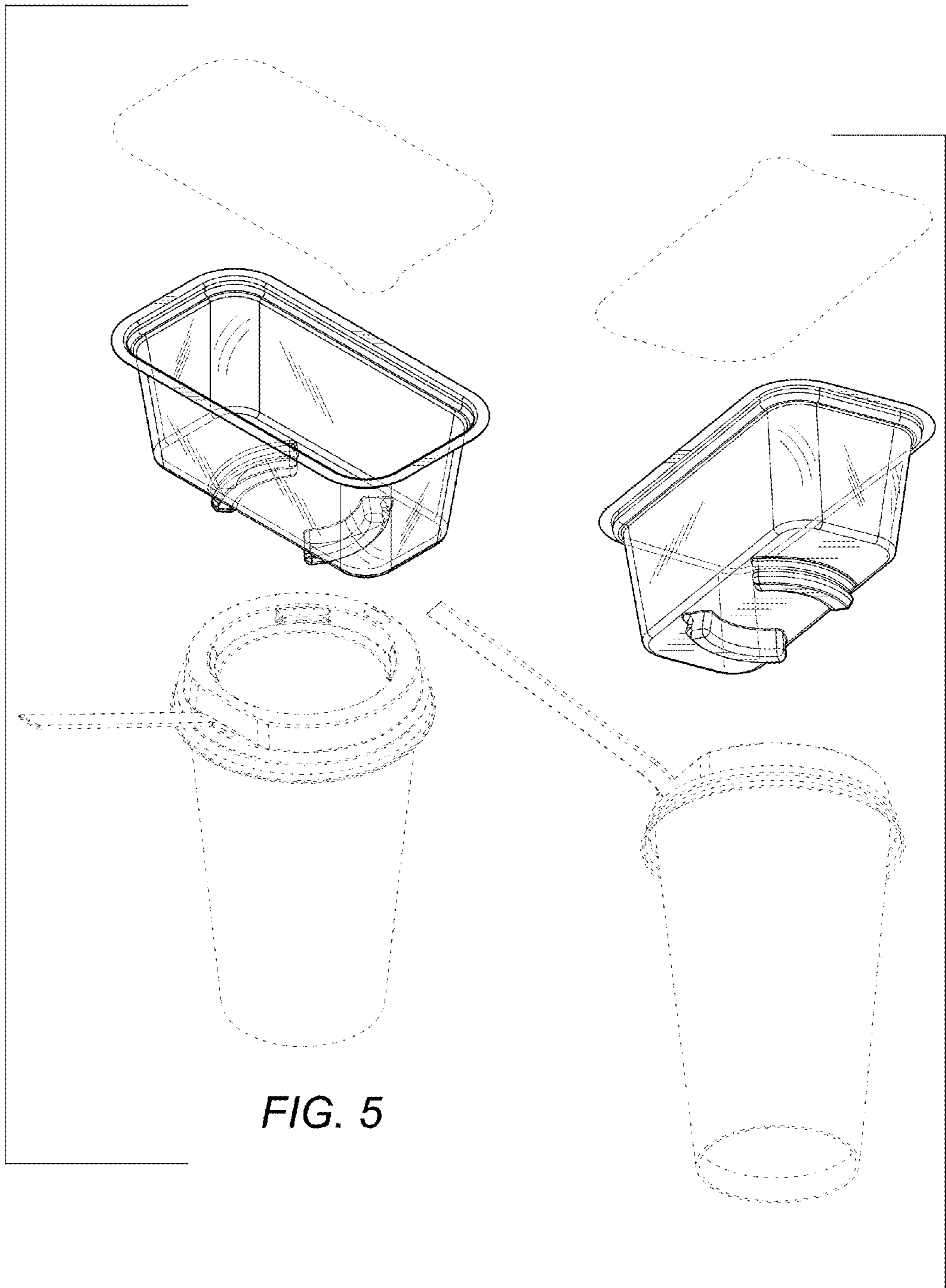


FIG. 5

FIG. 6

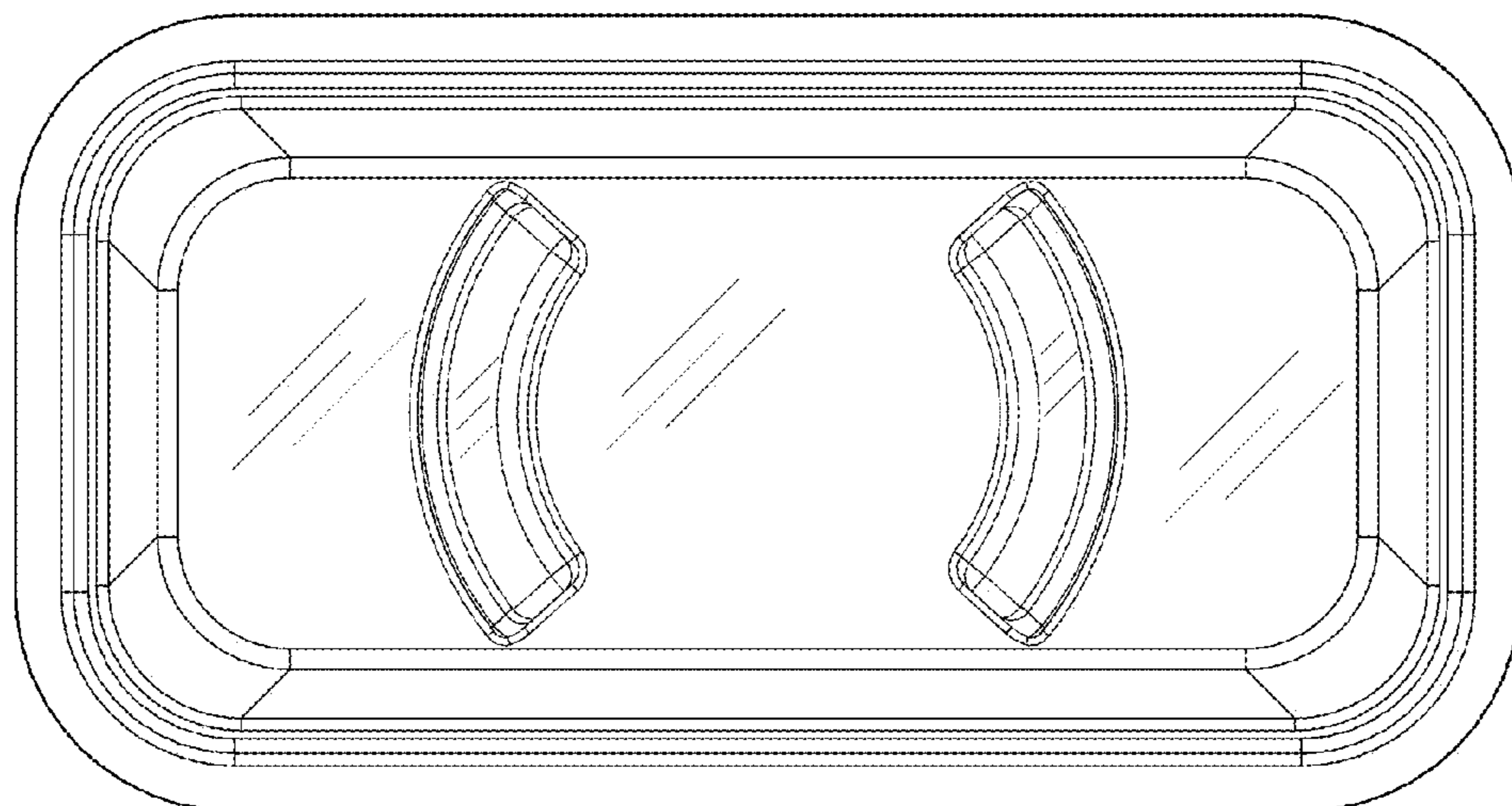


FIG. 7

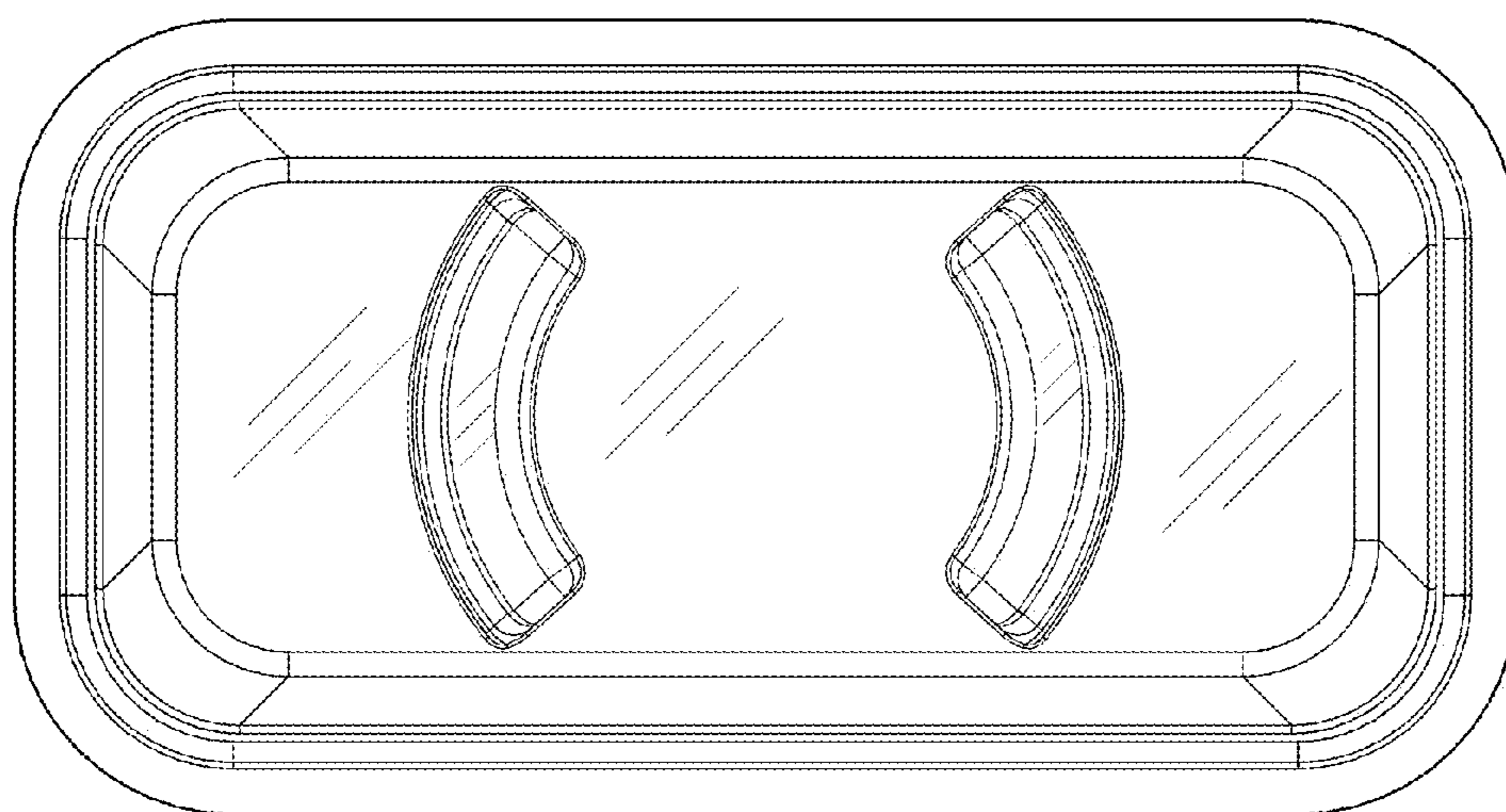


FIG. 8

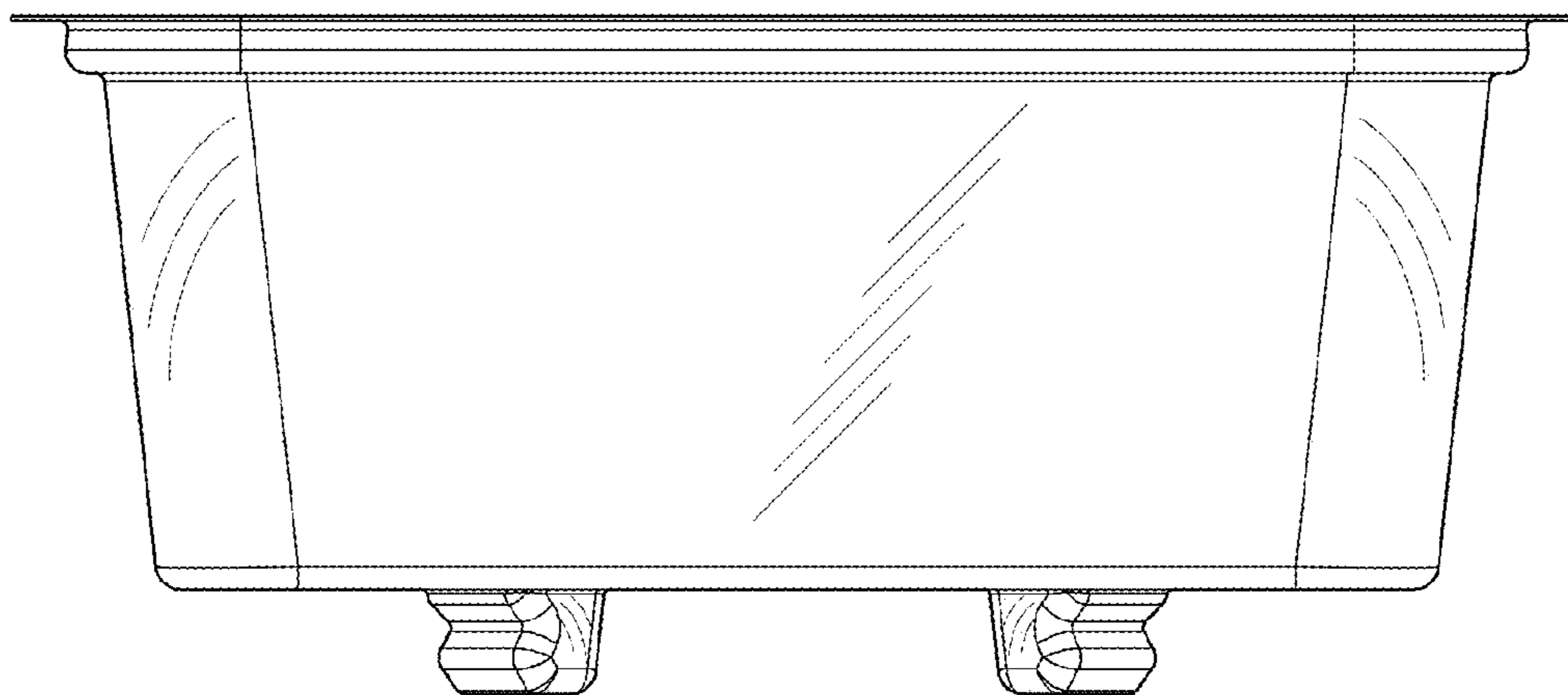


FIG. 9

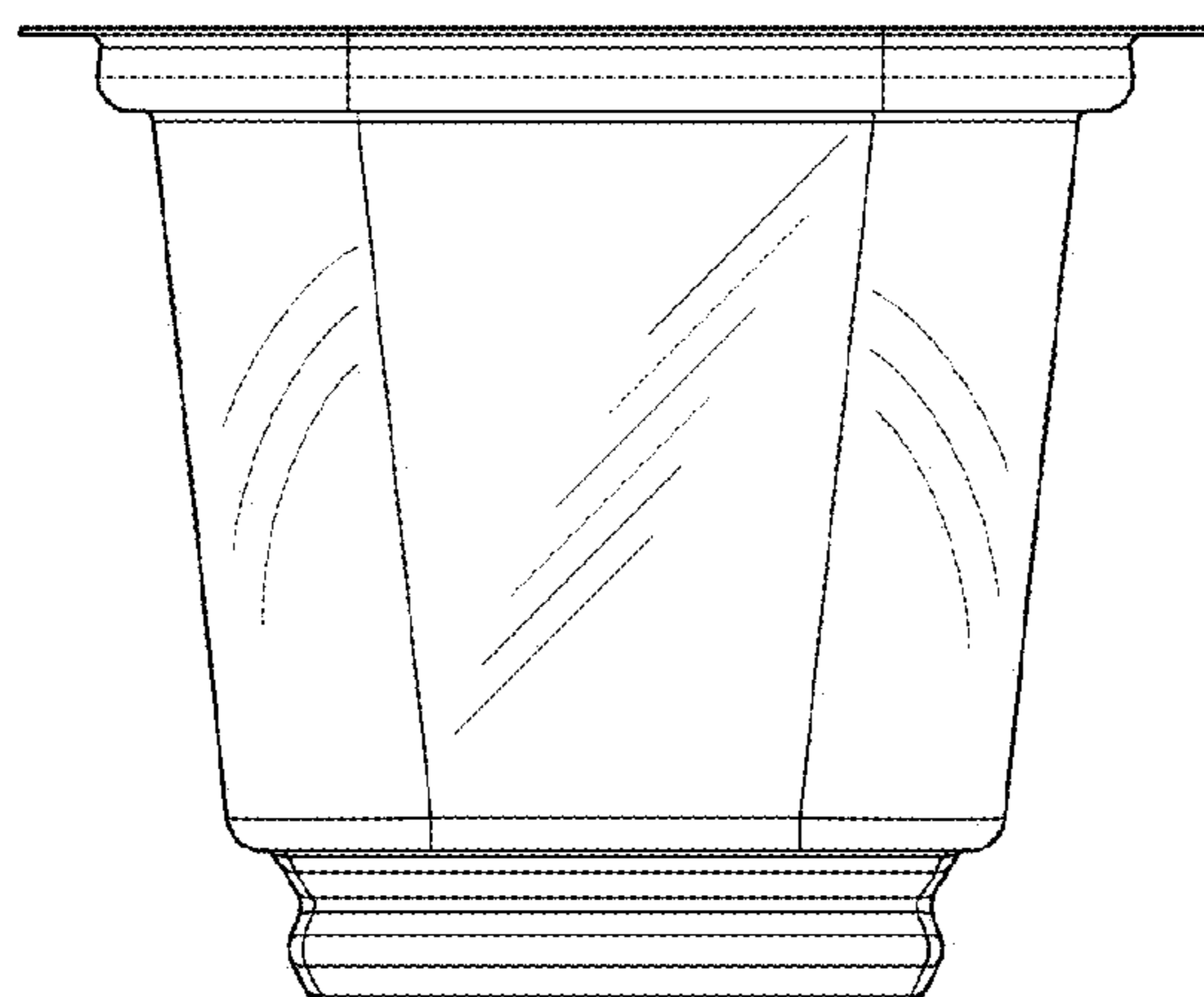


FIG. 10