



US00D766714S

(12) **United States Design Patent**  
**Stiefel et al.**

(10) **Patent No.:** **US D766,714 S**

(45) **Date of Patent:** **\*\* Sep. 20, 2016**

(54) **BOX**

(71) Applicant: **Heritage Distilling Company, Inc.**,  
Gig Harbor, WA (US)

(72) Inventors: **Justin Brad Stiefel**, Gig Harbor, WA  
(US); **Jennifer Dawn Hansen Stiefel**,  
Gig Harbor, WA (US); **Hannah Jeanne  
Hanley**, Tacoma, WA (US)

(73) Assignee: **Heritage Distilling Company, Inc.**,  
Gig Harbor, WA (US)

(\*\*) Term: **15 Years**

(21) Appl. No.: **29/541,167**

(22) Filed: **Sep. 30, 2015**

(51) **LOC (10) Cl.** ..... **09-03**

(52) **U.S. Cl.**  
USPC ..... **D9/432**

(58) **Field of Classification Search**  
USPC ..... D9/430, 414, 432, 524, 516; D7/543,  
D7/545, 602  
CPC ..... B65D 1/00; B65D 5/4291; B65D 5/38;  
A47F 5/11  
See application file for complete search history.

(56) **References Cited**

**U.S. PATENT DOCUMENTS**

D719,399 S \* 12/2014 Thurin ..... D7/392.1  
D720,178 S \* 12/2014 Thurin ..... D7/392.1  
D751,897 S \* 3/2016 Barad ..... D9/432  
D756,560 S \* 5/2016 Ghiotti ..... D27/186

D756,561 S \* 5/2016 Ghiotti ..... D27/186  
D756,562 S \* 5/2016 Ghiotti ..... D27/186  
D758,191 S \* 6/2016 Tu ..... D9/414  
D760,073 S \* 6/2016 Mather ..... D9/432  
2010/0006467 A1\* 1/2010 Joseph ..... B65D 1/22  
206/508  
2012/0006837 A1\* 1/2012 Becklin ..... B65D 21/0224  
220/694

\* cited by examiner

*Primary Examiner* — Cynthia Underwood

(74) *Attorney, Agent, or Firm* — Chandra E. Eidt; Miller  
Nash Graham & Dunn LLP

(57) **CLAIM**

The ornamental design for a box, as shown and described.

**DESCRIPTION**

FIG. 1 illustrates a top perspective view of the new design  
for a box;

FIG. 2 illustrates a bottom perspective view of a box;

FIG. 3 illustrates a top plan view of a box;

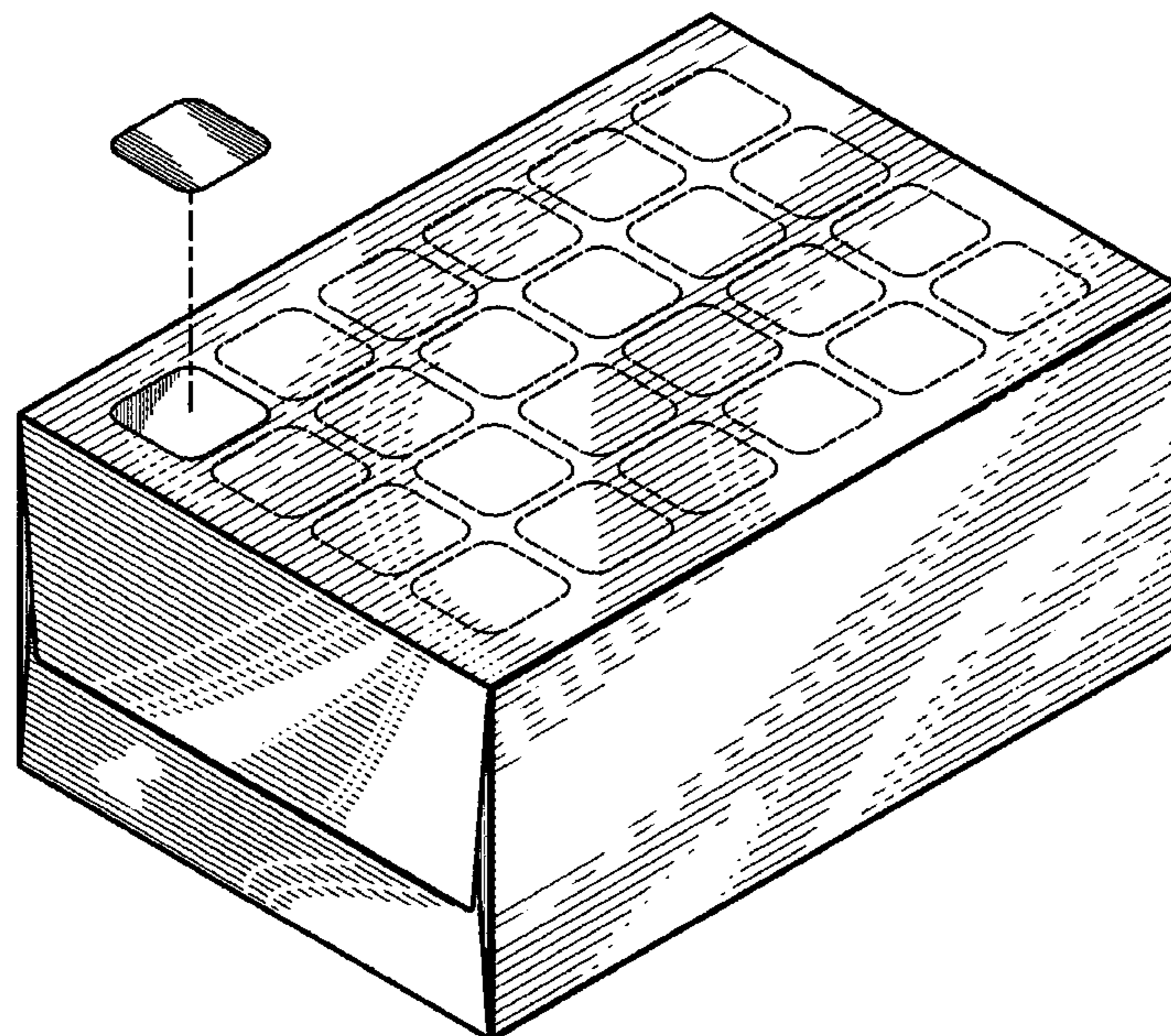
FIG. 4 illustrates a bottom plan view of a box;

FIG. 5 illustrates a front long side elevation view of a box,  
the back long side being a mirror image;

FIG. 6 illustrates a left side elevation view of a box, the right  
side elevation view being a mirror image of the left side  
elevation view, and,

FIG. 7 illustrates a top perspective exploded view of the box.  
The broken lines represent separable box components and  
form part of the claimed design. The back long side eleva-  
tion view is a mirror image of the front long side elevation  
view. The right side elevation view is a mirror image of the  
left side elevation view.

**1 Claim, 7 Drawing Sheets**



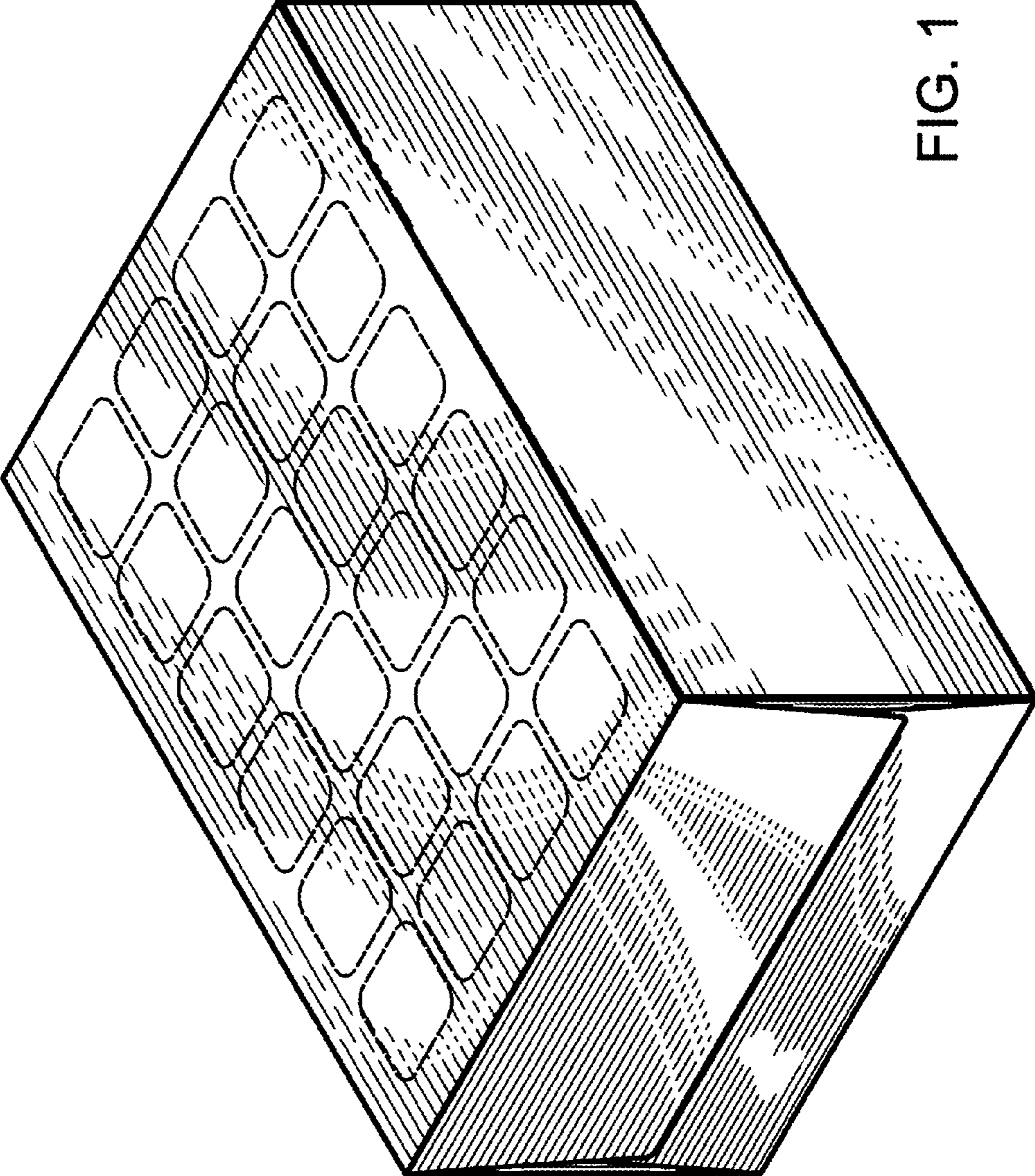


FIG. 1



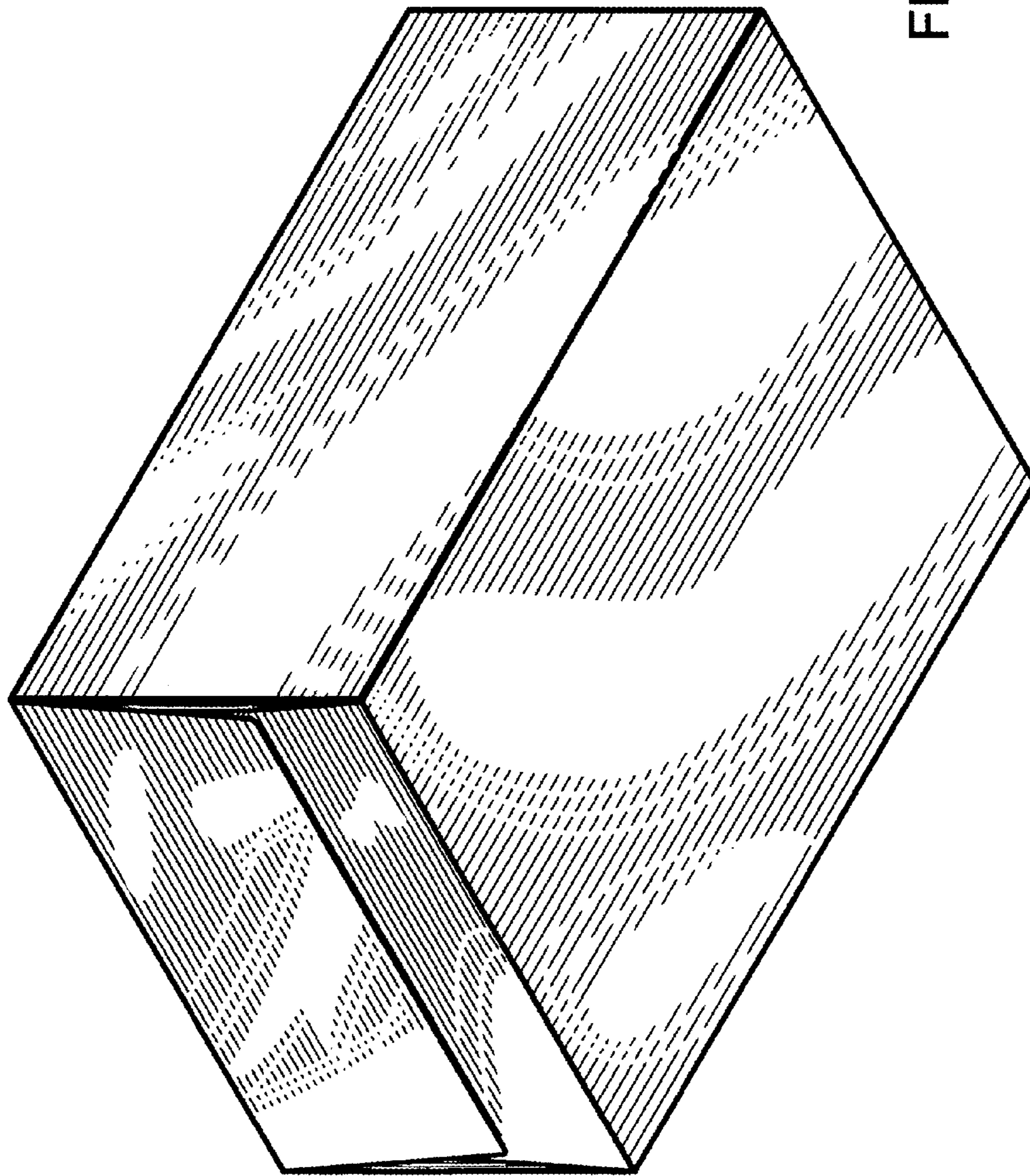


FIG. 2

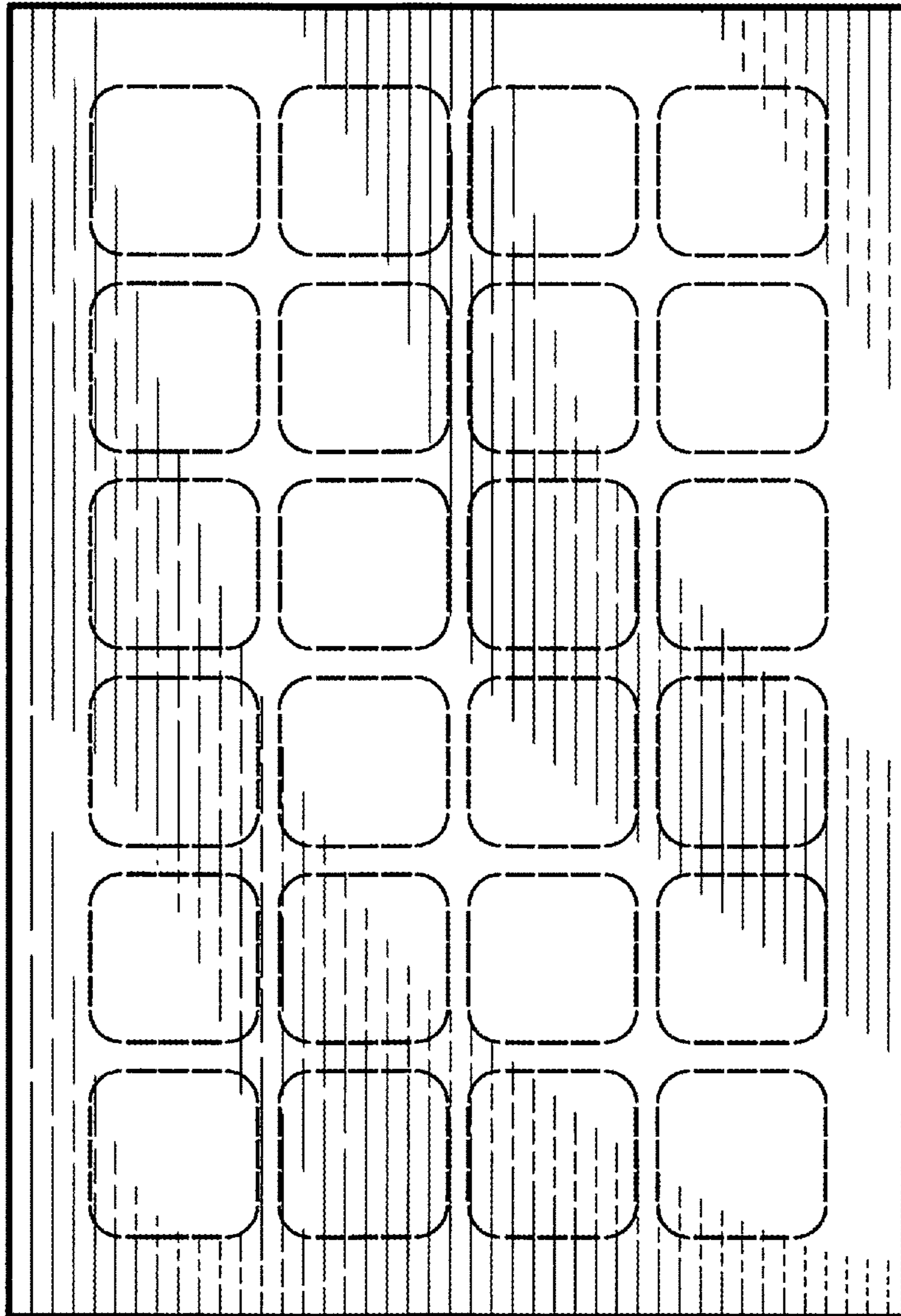


FIG. 3

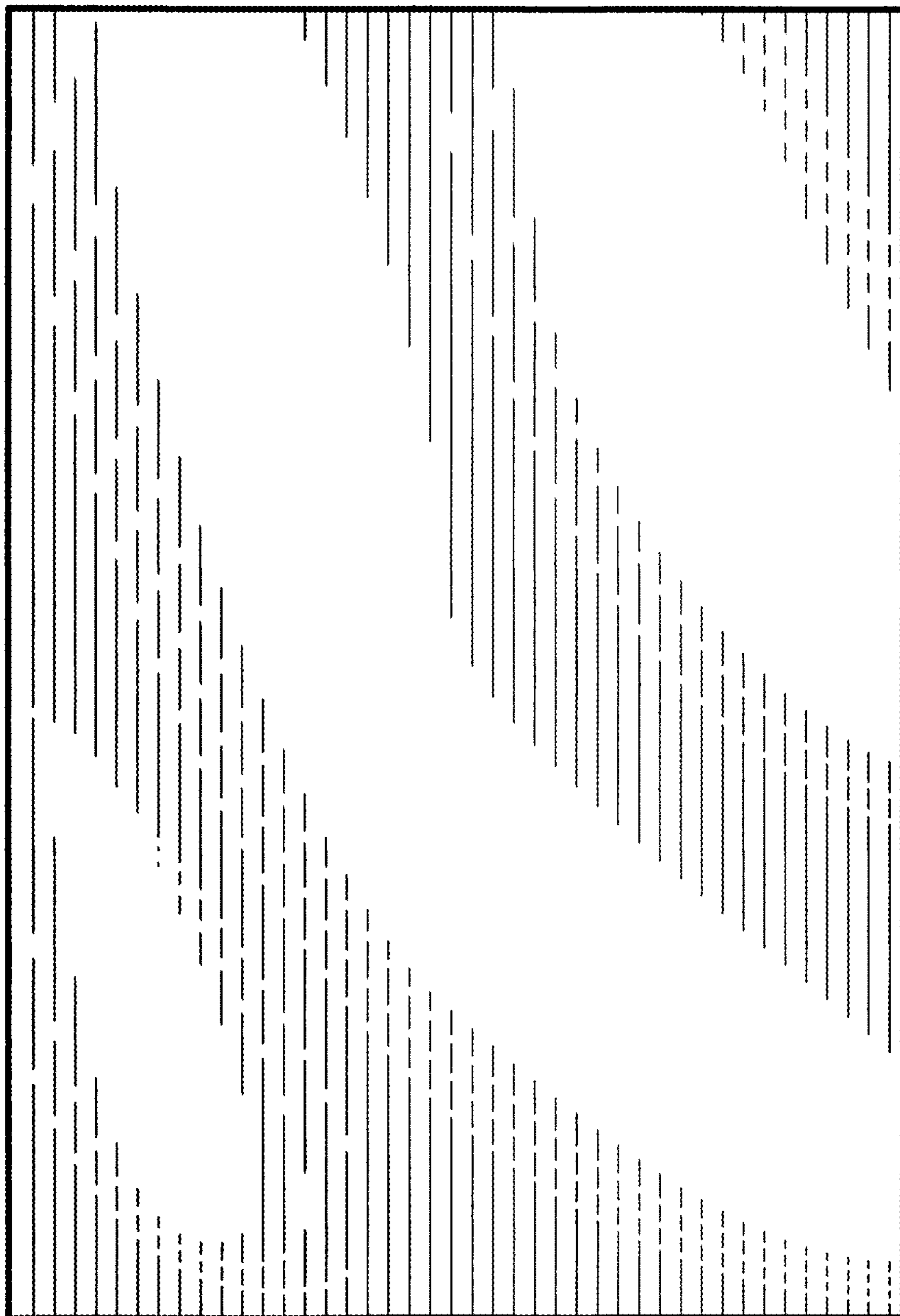


FIG. 4

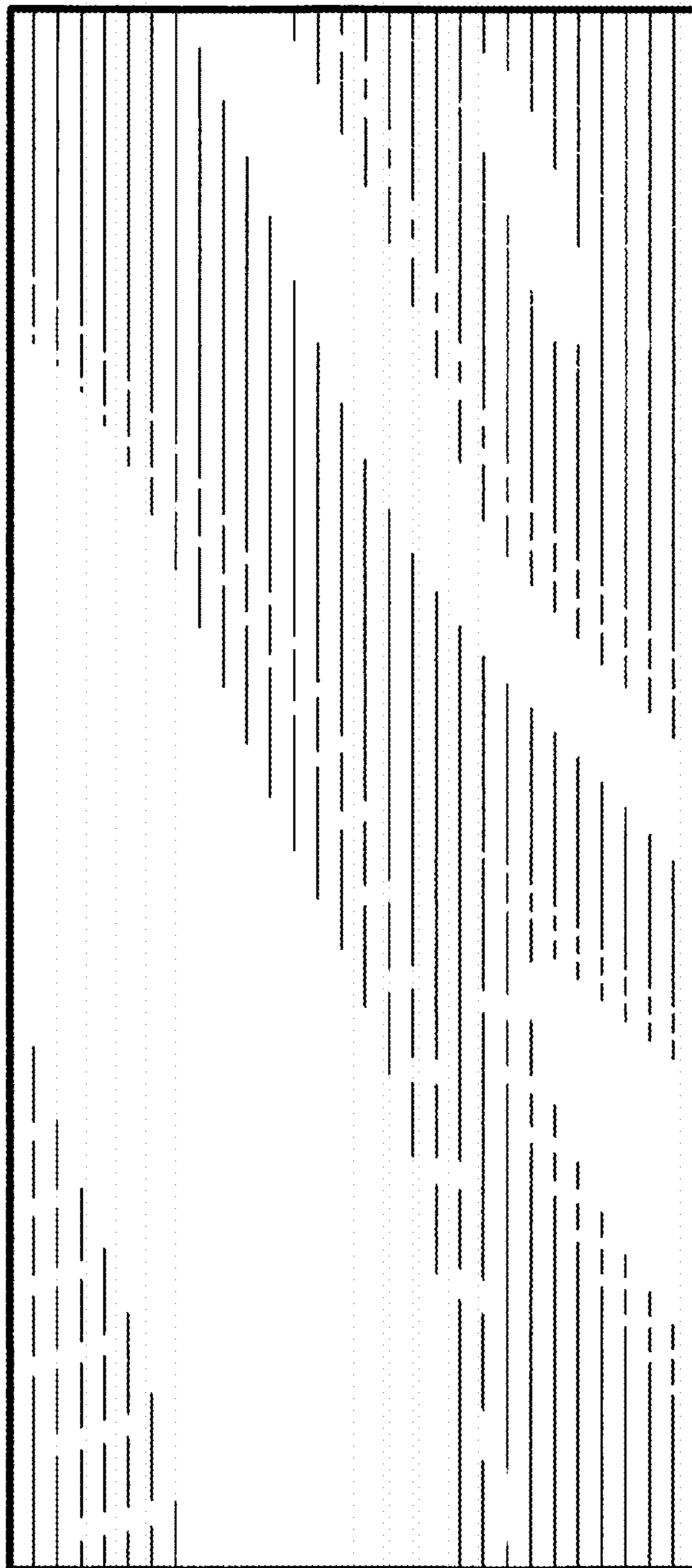


FIG. 5



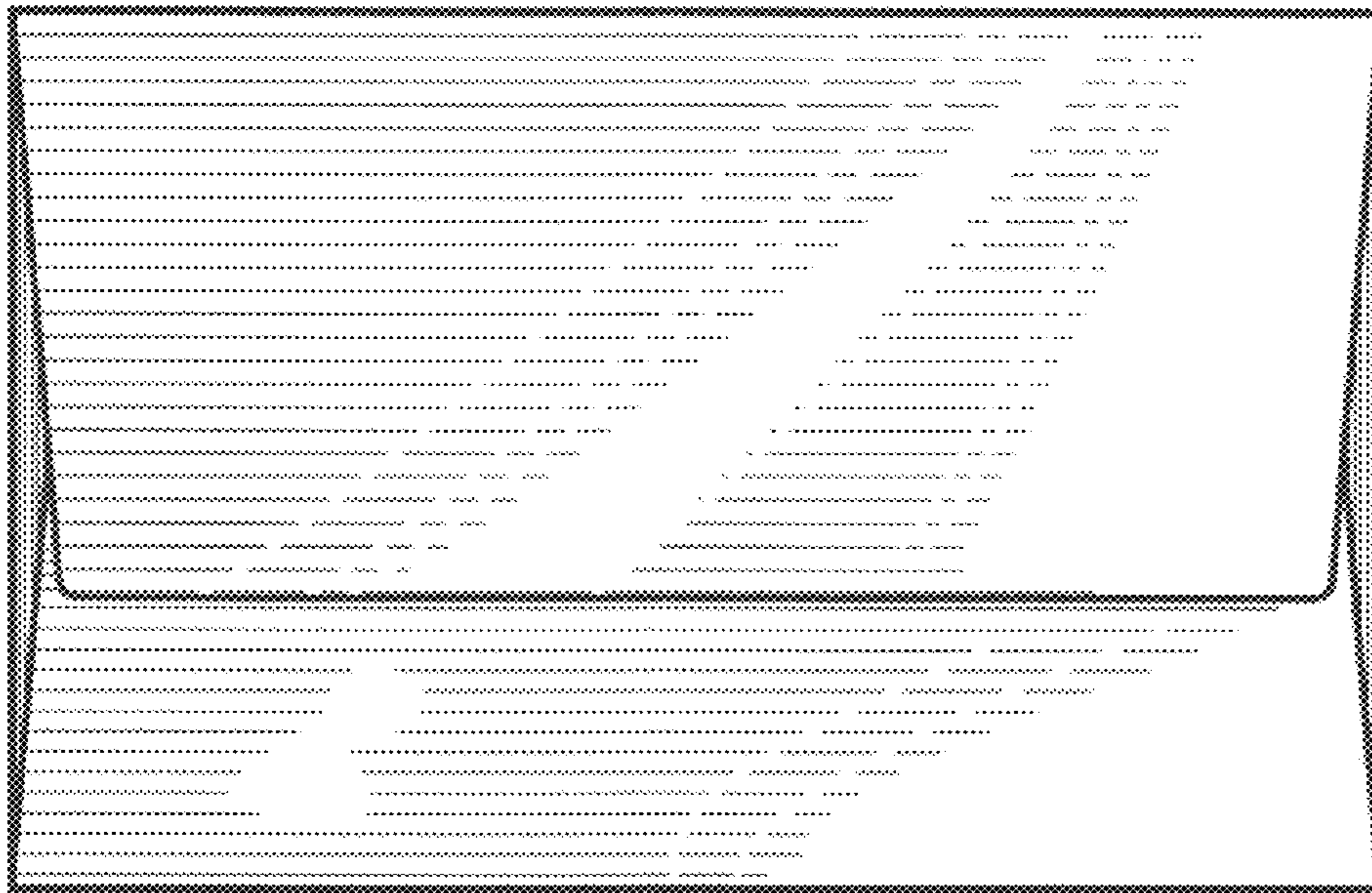


FIG. 6

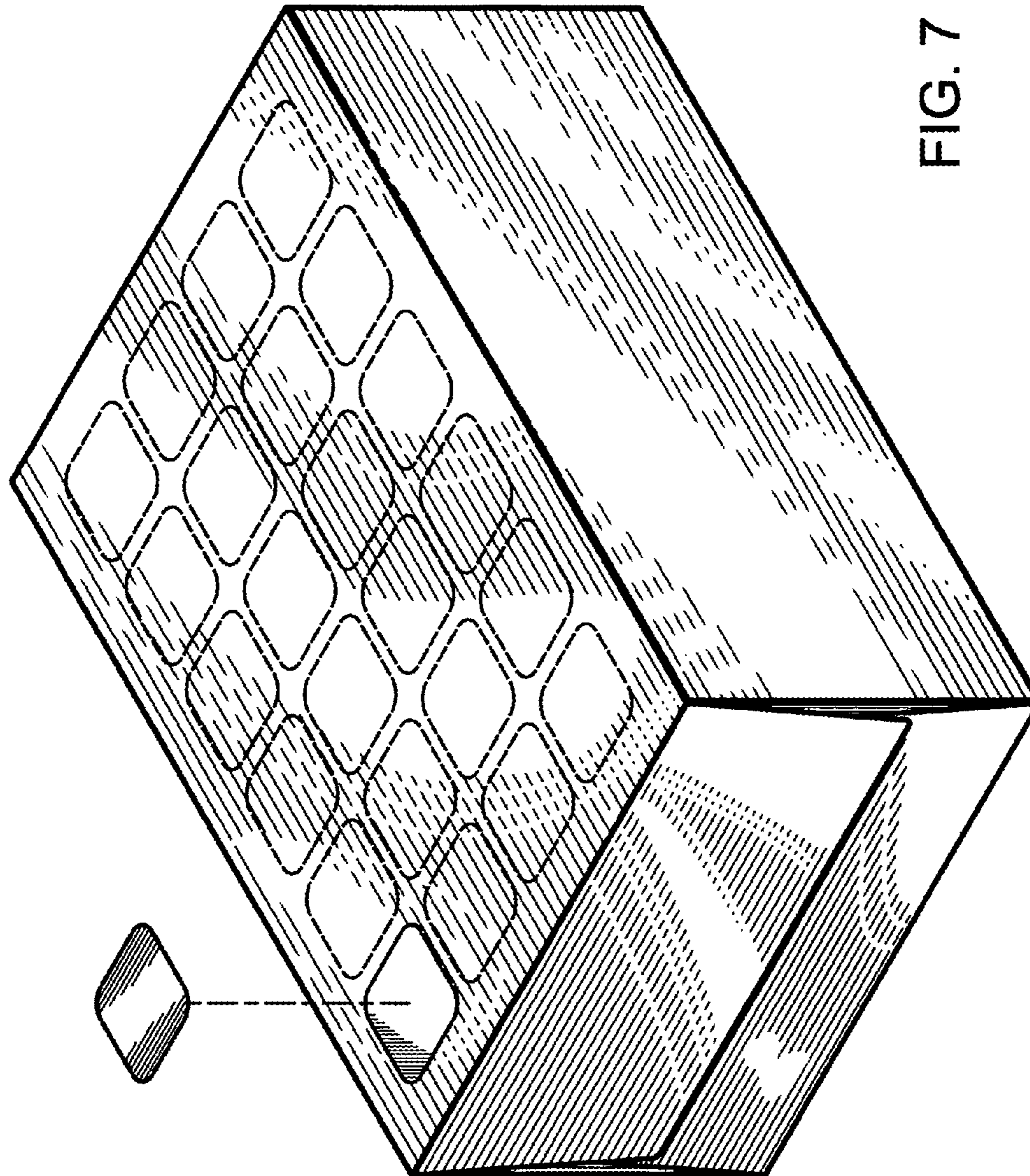


FIG. 7