



US00D766712S

(12) **United States Design Patent**  
**Bertram**

(10) **Patent No.:** **US D766,712 S**

(45) **Date of Patent:** **\*\* Sep. 20, 2016**

(54) **BEACH CHAIR STRAP**

(71) Applicant: **Robert M. Bertram**, Charlotte, NC  
(US)

(72) Inventor: **Robert M. Bertram**, Charlotte, NC  
(US)

(\*\*) Term: **14 Years**

(21) Appl. No.: **29/519,858**

(22) Filed: **Mar. 9, 2015**

(51) **LOC (10) Cl.** ..... **08-08**

(52) **U.S. Cl.**  
USPC ..... **D8/394**

(58) **Field of Classification Search**  
USPC ..... D3/204, 276, 318, 327; D11/200, 237;  
D8/394-396; D29/100-101.1;  
D24/190; D2/624, 627  
CPC ..... A61F 5/01; A42B 3/08; A42B 3/00;  
A47D 15/00; A45F 4/02; G09F 23/00;  
E05B 73/00; E05B 11/00; A44B 11/00;  
A47C 7/62

See application file for complete search history.

(56) **References Cited**

**U.S. PATENT DOCUMENTS**

1,776,614	A *	9/1930	Bauer	.....	A41F 9/025 2/236
3,399,431	A *	9/1968	Shanklin	.....	A44B 11/2523 24/579.11
D263,640	S *	4/1982	Nandorf	.....	D29/100
4,844,540	A	7/1989	Pegram		
D322,160	S *	12/1991	Dauterive	.....	D2/627
D358,701	S *	5/1995	Gordy	.....	D2/627
5,503,456	A	4/1996	Rossini		
5,539,933	A *	7/1996	Garber	.....	A41F 9/002 2/311
D373,011	S *	8/1996	Rippel	.....	D2/624
D373,750	S *	9/1996	Gunderson	.....	D12/133
5,829,832	A	11/1998	Molee		
5,843,556	A	12/1998	Levas		
6,149,234	A	11/2000	Daniels		
6,575,533	B1	6/2003	Kicos		
6,591,542	B1 *	7/2003	Jordan	.....	A01K 97/10 224/922

6,616,225 B2 9/2003 Graff  
D481,851 S \* 11/2003 Greaiage ..... D2/624  
D488,286 S \* 4/2004 Phillips, Jr. .... D2/624

(Continued)

**OTHER PUBLICATIONS**

Amazon.com : Click-n-Carry Beach Chair Carry Strap, online, review date Jul. 13, 2011, <http://www.amazon.com/Click-n-Carry-Beach-Chair-Carry-Strap/dp/B0052HYFS4>, site visited Dec. 22, 2015.\*

(Continued)

*Primary Examiner* — John Windmuller

*Assistant Examiner* — John R Yeh

(74) *Attorney, Agent, or Firm* — Jeffrey C. Watson; Grell & Watson Patent Attorneys

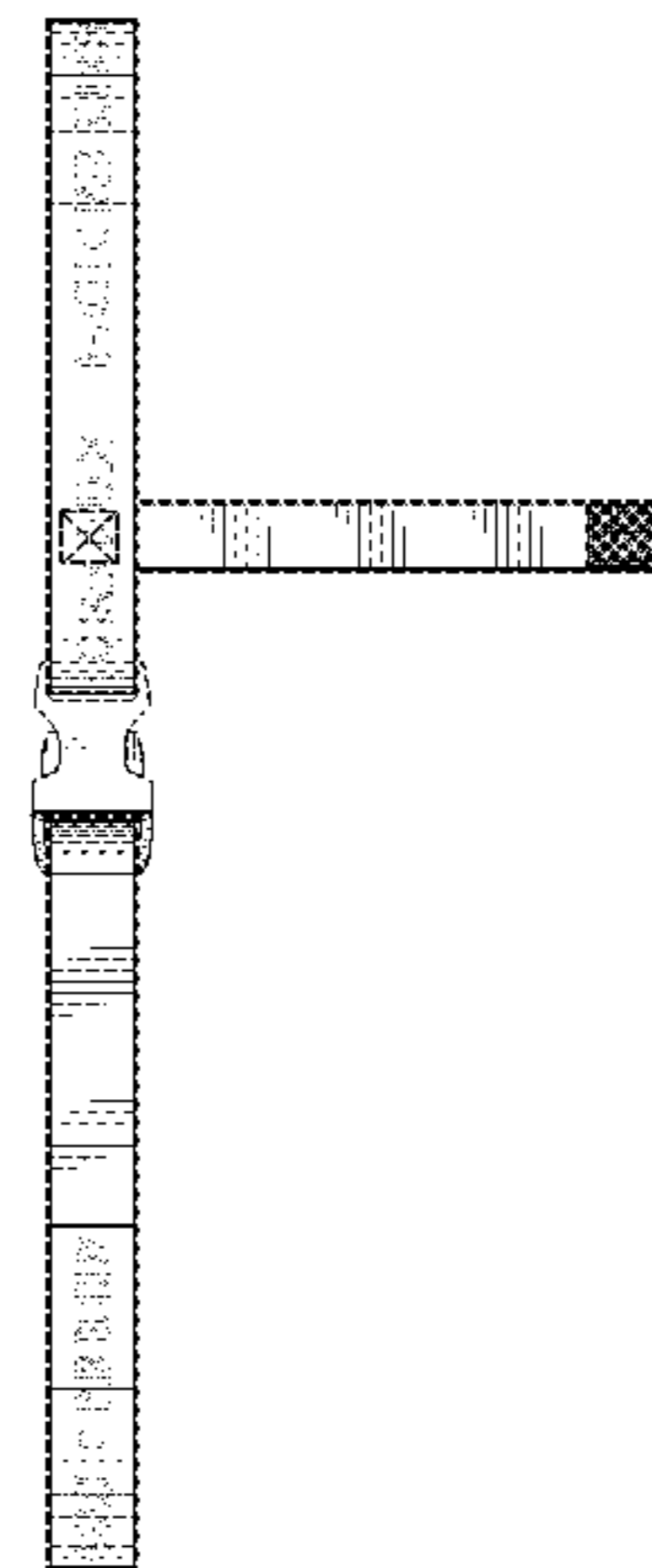
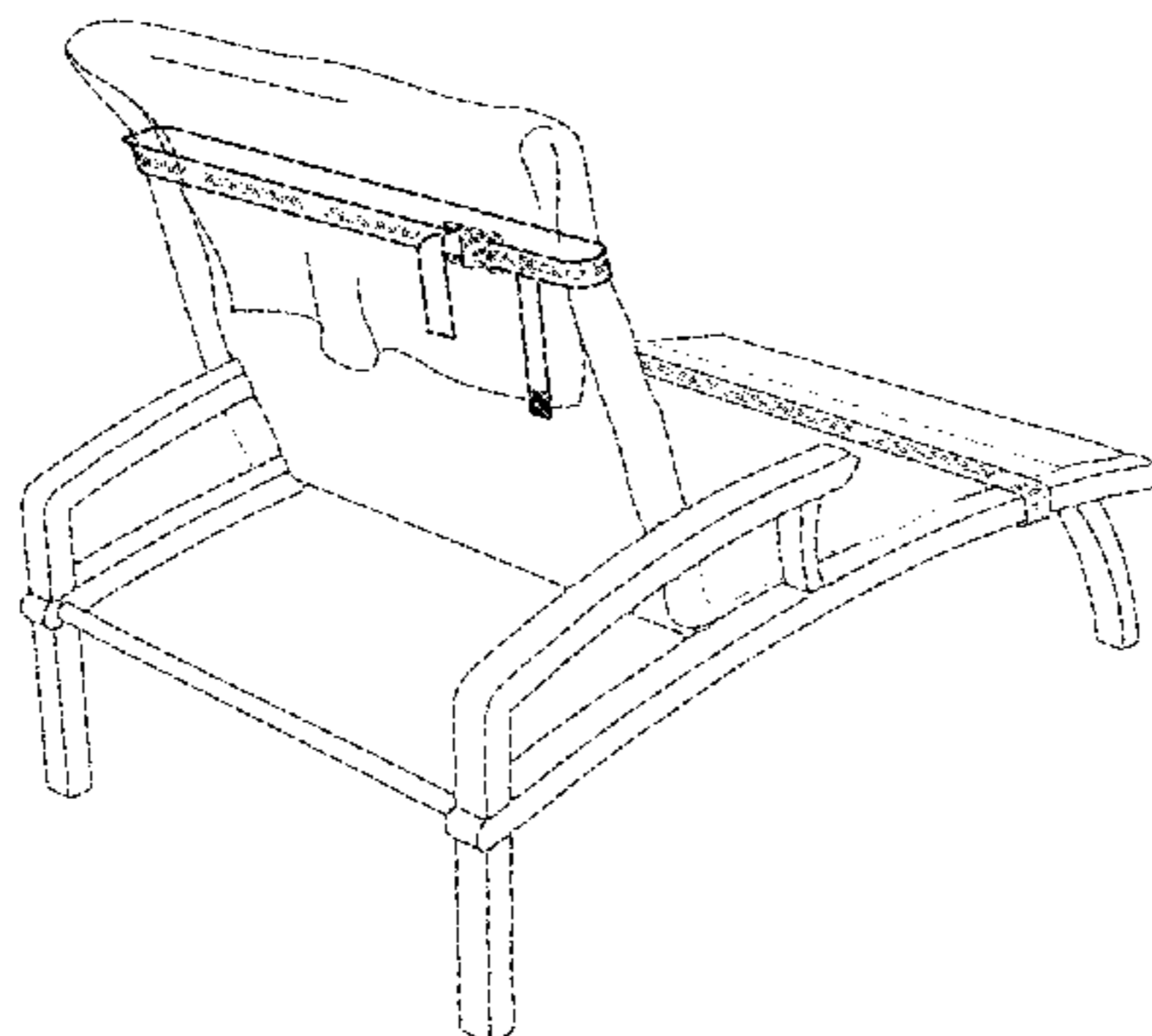
(57) **CLAIM**

The ornamental design for a beach chair strap, as shown and described.

**DESCRIPTION**

FIG. 1 is a perspective view for a beach chair strap wrapped around the back of a beach chair.  
FIG. 2 is a side view thereof;  
FIG. 3 is a top view of the beach chair without environment, the bottom view being a mirror image thereof;  
FIG. 4 is a front view thereof;  
FIG. 5 is a rear view thereof;  
FIG. 6 is a right side view thereof;  
FIG. 7 is a perspective view of the beach chair strap in a wrapped position;  
FIG. 8 is a left side view, the right side view being a mirror image thereof;  
FIG. 9 is a front side view thereof;  
FIG. 10 is a top view thereof;  
FIG. 11 is a bottom view thereof; and,  
FIG. 12 is a rear view thereof.  
The broken lines in the figures form no part of the claimed design.

**1 Claim, 6 Drawing Sheets**



(56)

References Cited

U.S. PATENT DOCUMENTS

D558,427 S \* 1/2008 Solin ..... D2/624  
7,882,597 B2 \* 2/2011 Conti ..... G06F 1/1656  
224/255  
7,905,039 B2 3/2011 Karovic  
D658,850 S \* 5/2012 Valentine ..... D2/624  
8,393,016 B2 \* 3/2013 Wilkins-Gaudio ..... A41F 9/002  
2/312  
D700,432 S \* 3/2014 Music ..... D3/204  
D702,003 S \* 4/2014 Fidrych ..... D30/152  
D716,941 S \* 11/2014 Sterling ..... D24/128  
D720,528 S \* 1/2015 Young ..... D3/221  
D732,241 S \* 6/2015 Couzyn ..... D29/101.1

D743,628 S \* 11/2015 Millington ..... D29/101.1  
2002/0087105 A1 \* 7/2002 Grosso ..... A61F 5/028  
602/13  
2005/0173073 A1 \* 8/2005 Chernoff ..... G09F 3/14  
156/556  
2008/0281701 A1 11/2008 Scheiner  
2014/0310857 A1 \* 10/2014 Lastik ..... A42B 3/08  
2/421

OTHER PUBLICATIONS

1"x6' Luggage Strap << Erickson Manufacturing Ltd., online,  
<http://www.ericksonmfg.com/product/1-x-6-luggage-strap/>, [site  
visited Dec. 22, 2015 10:03:52 AM].\*

\* cited by examiner

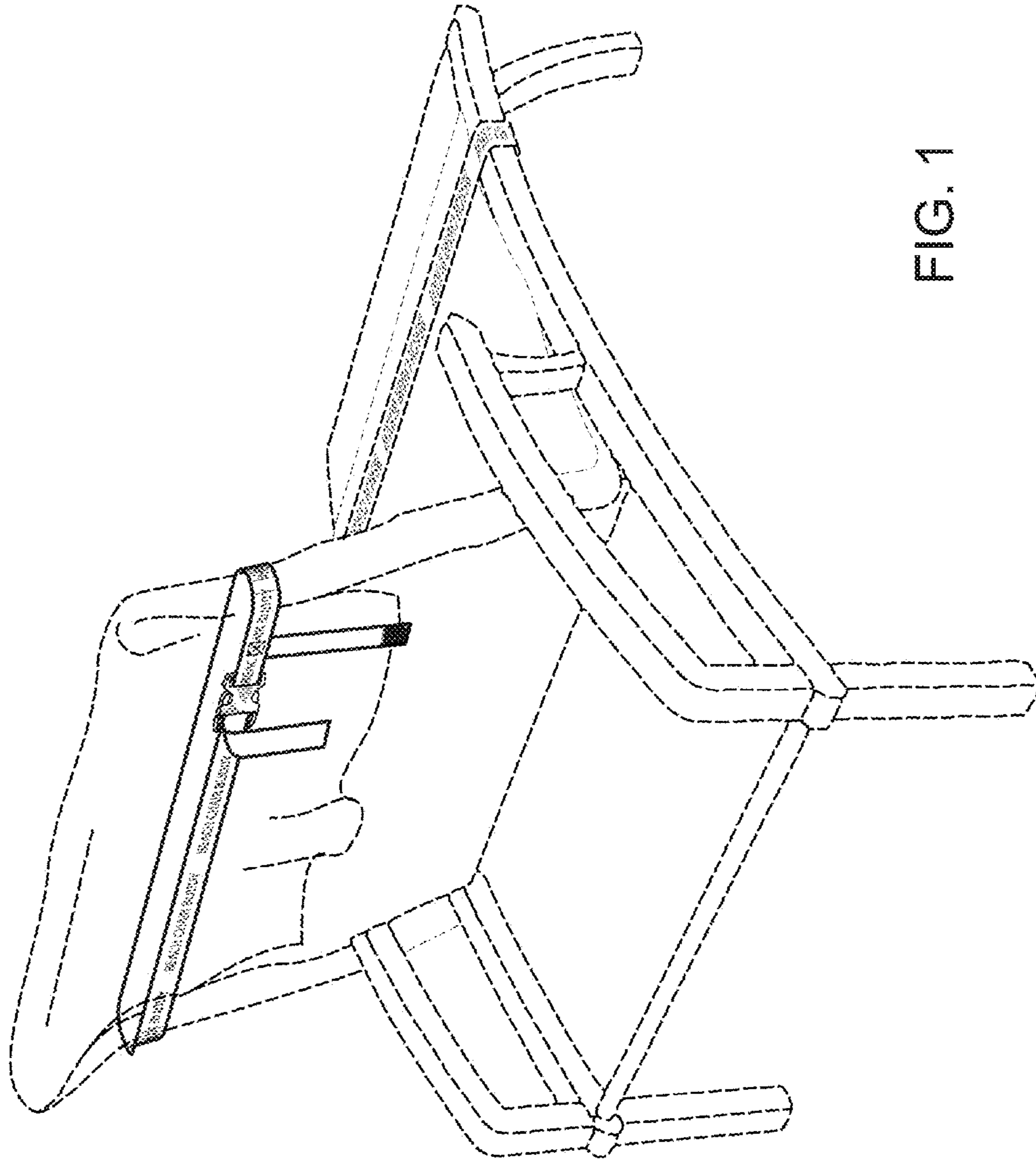
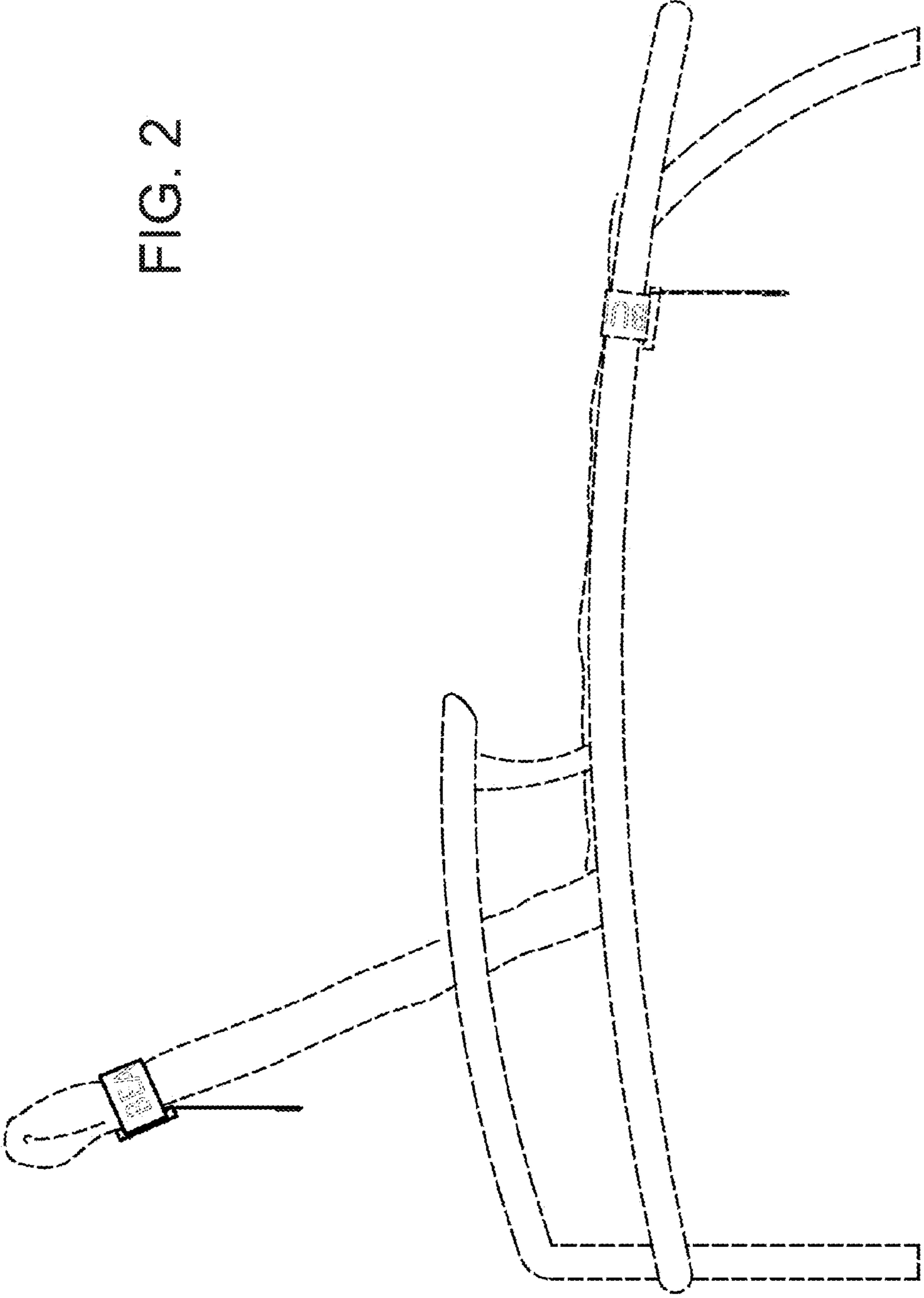


FIG. 1

FIG. 2



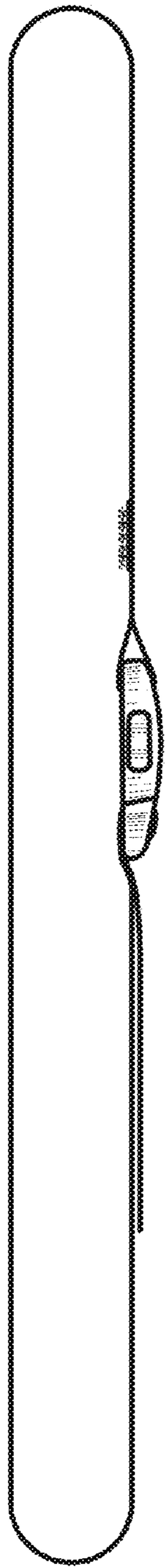


FIG. 3

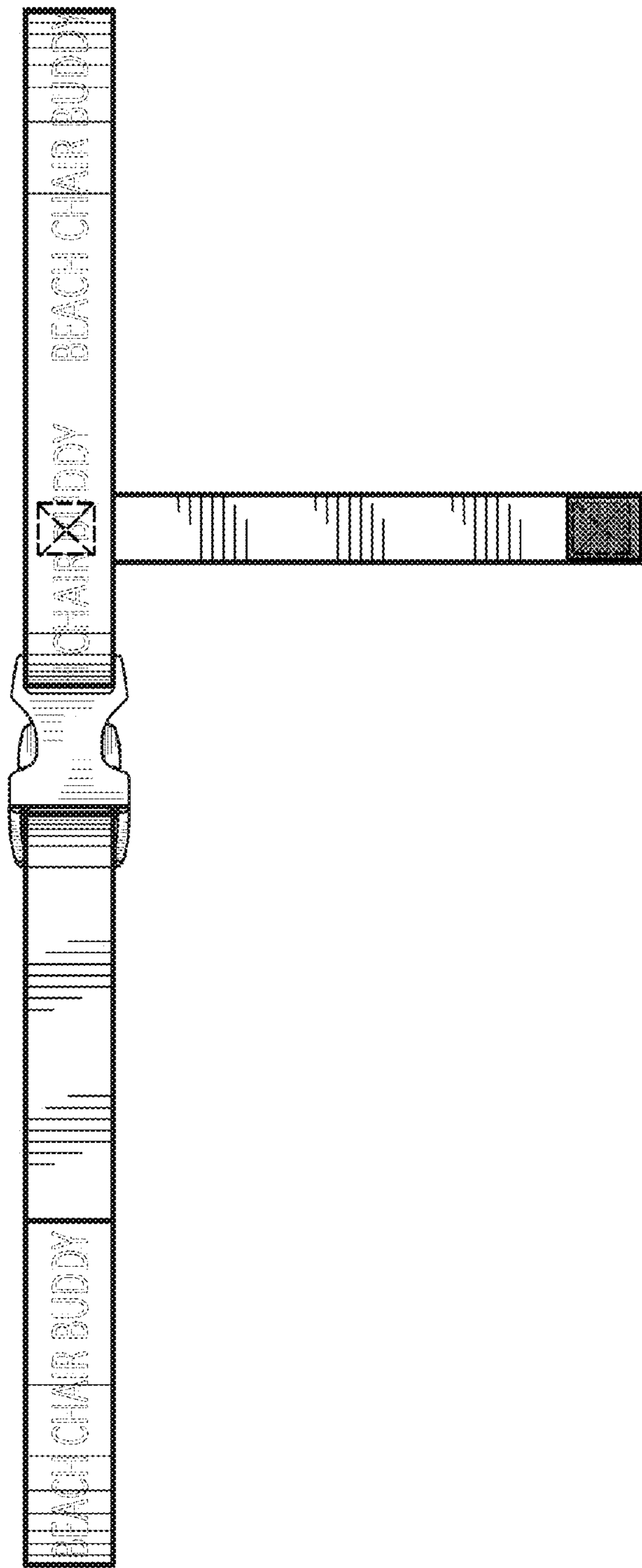


FIG. 4

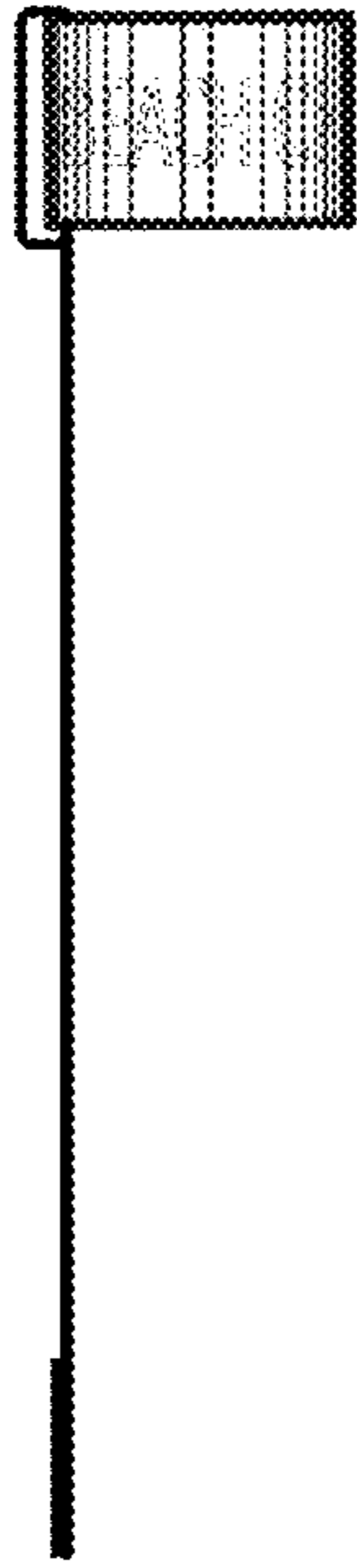


FIG. 6

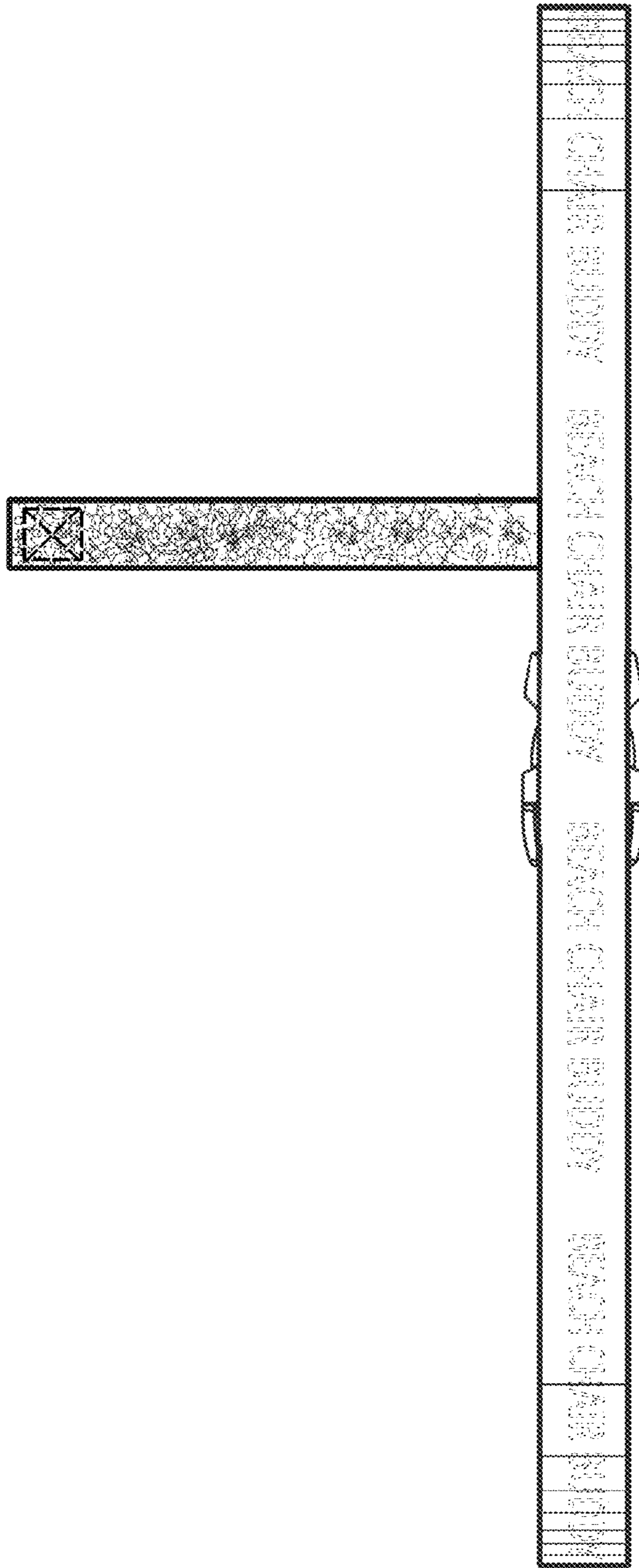


FIG. 5

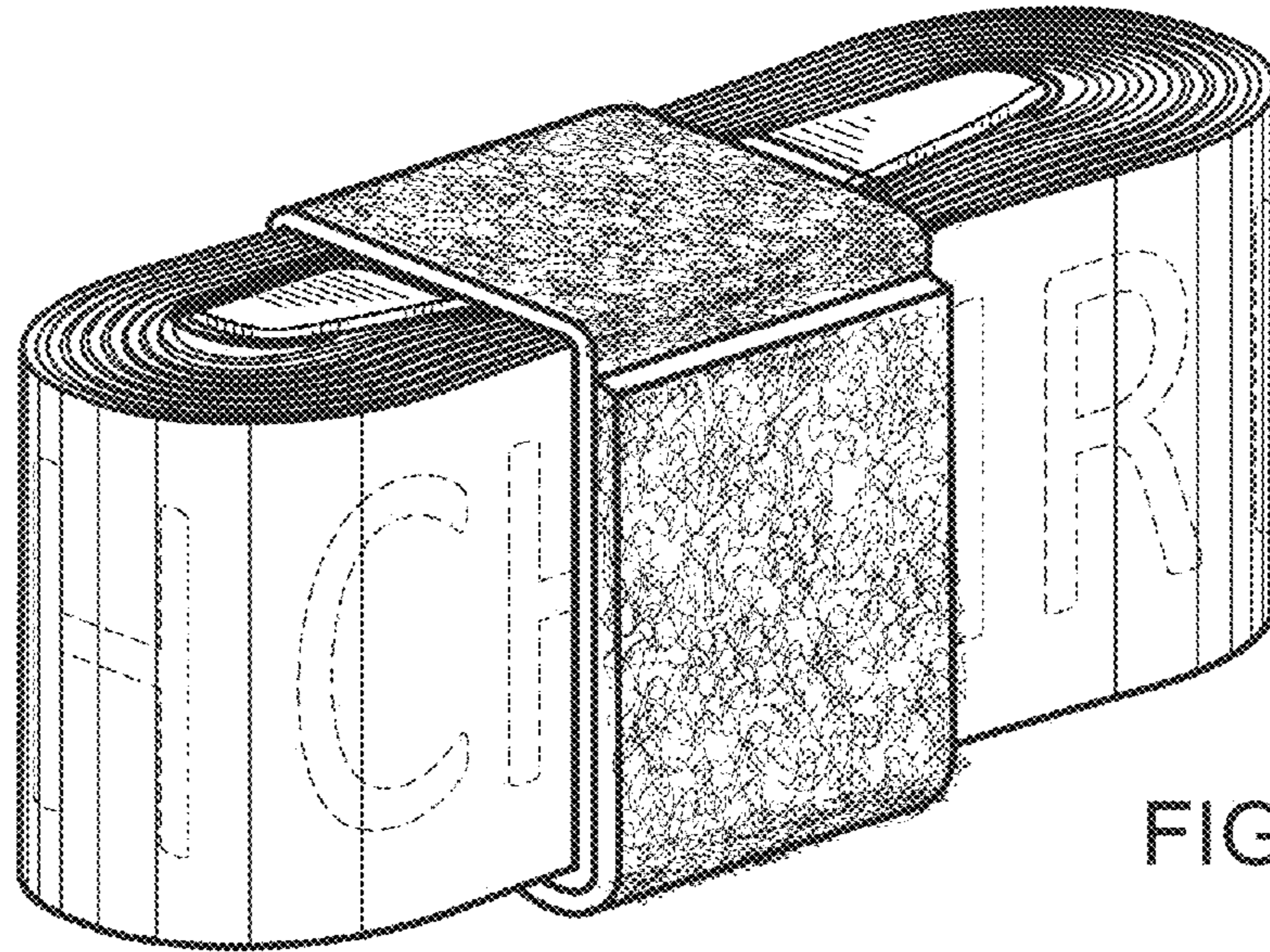


FIG. 7

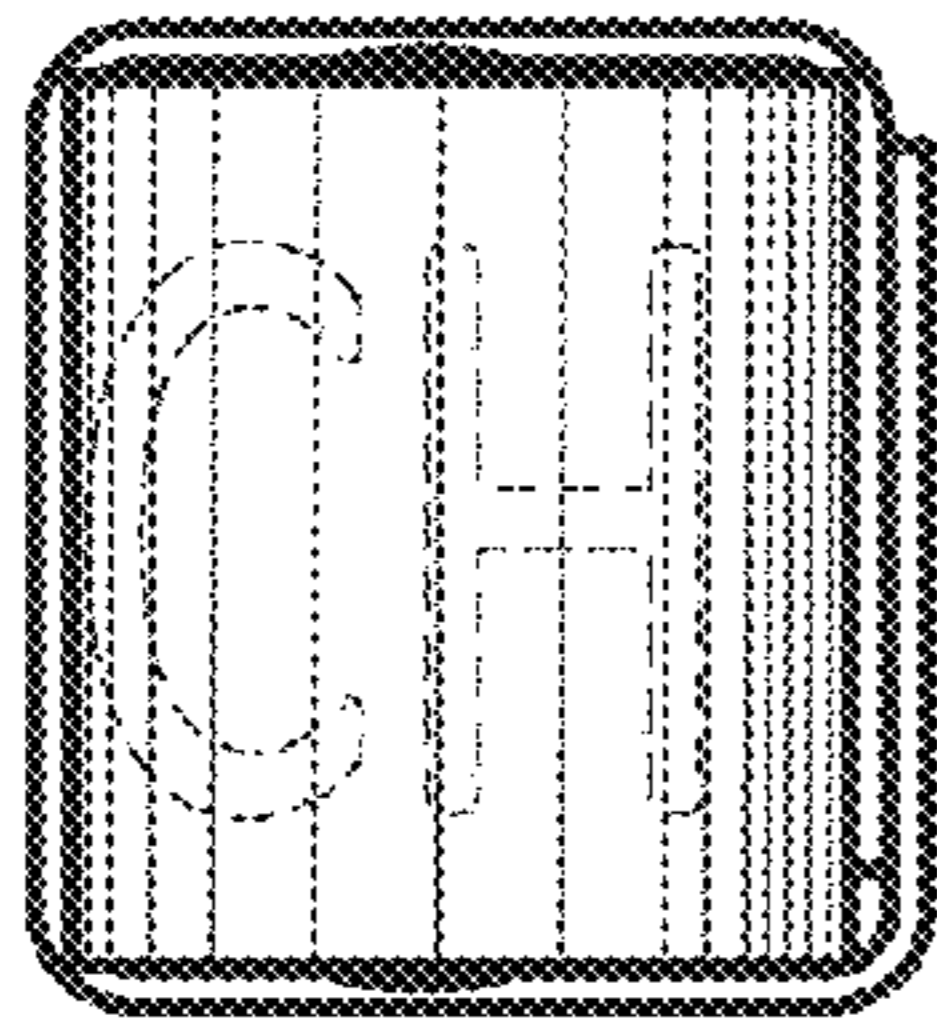


FIG. 8

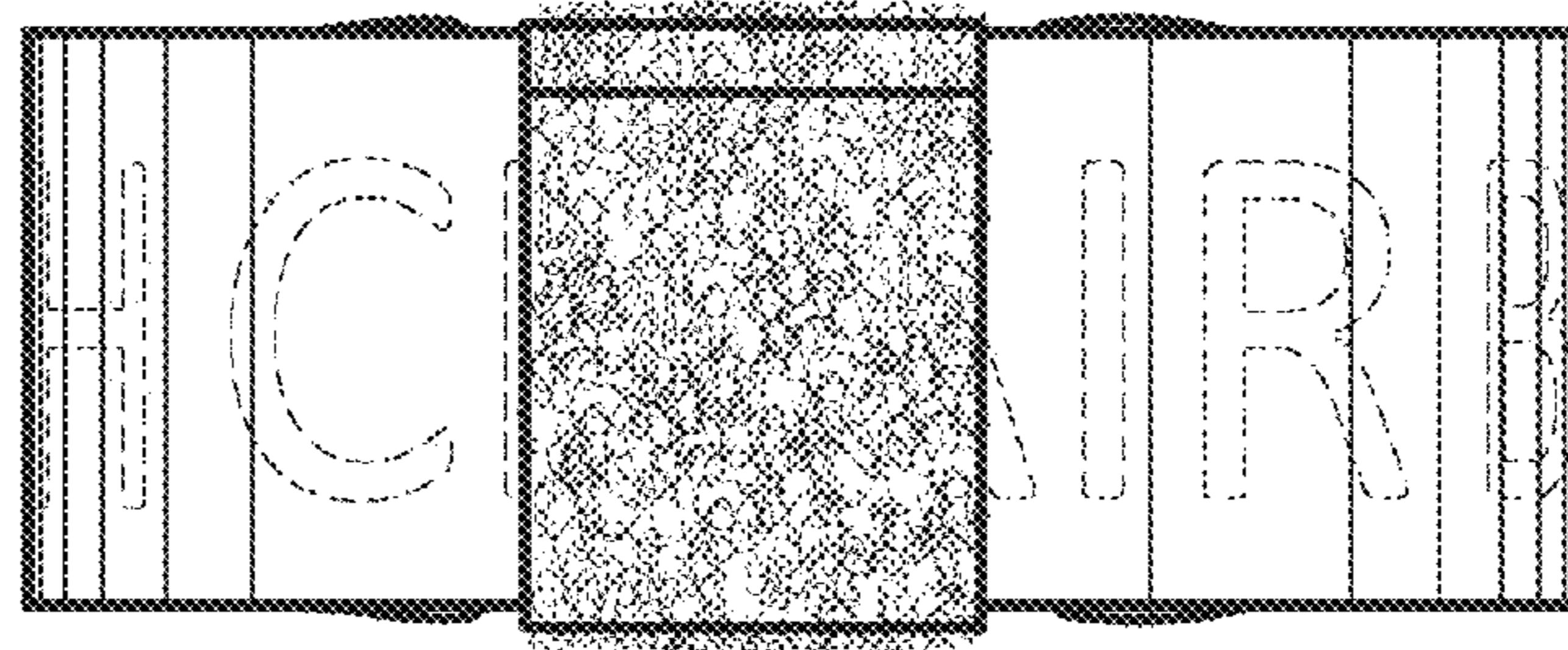


FIG. 9

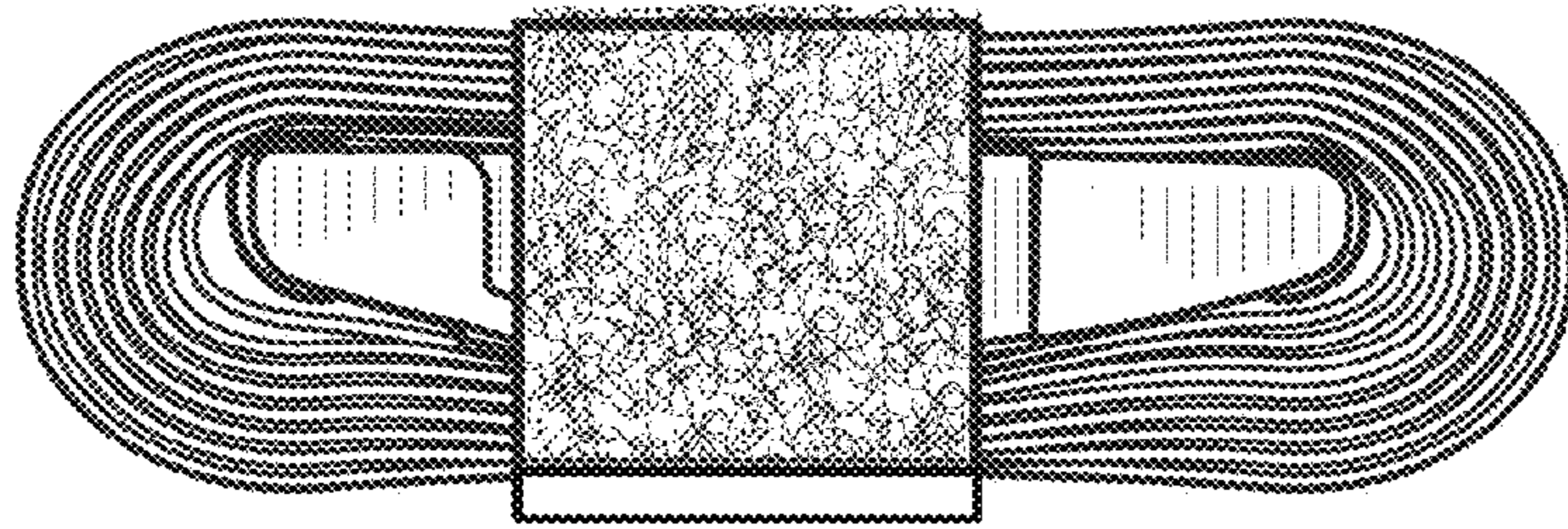


FIG. 10

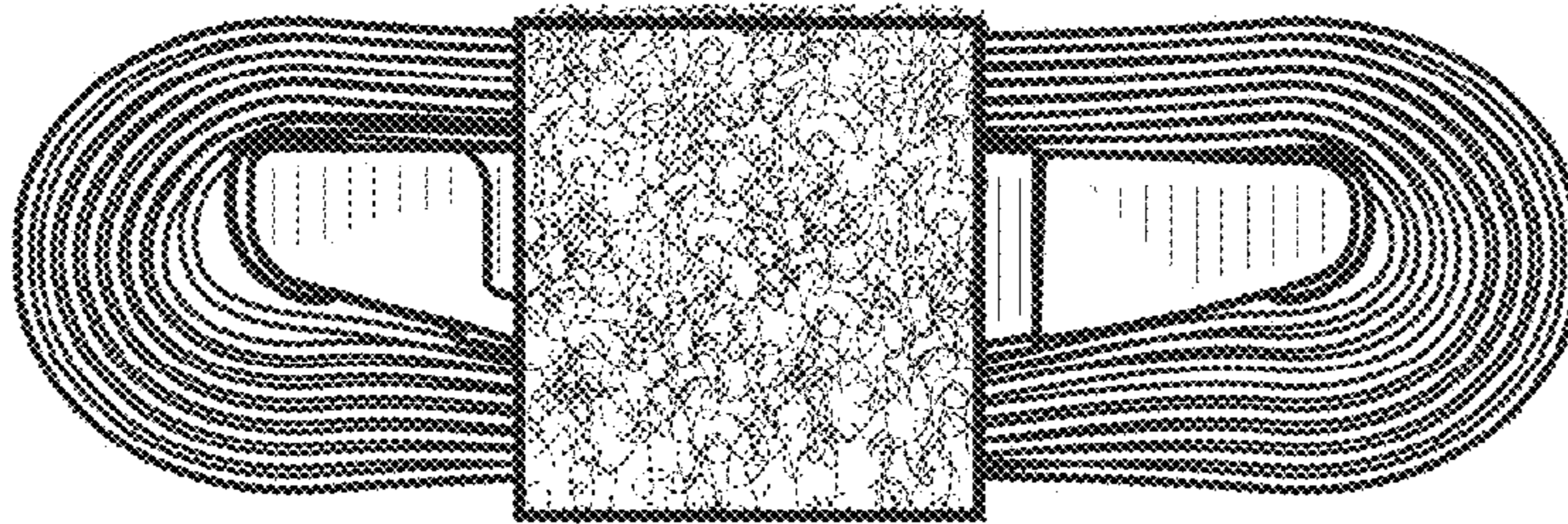


FIG. 11

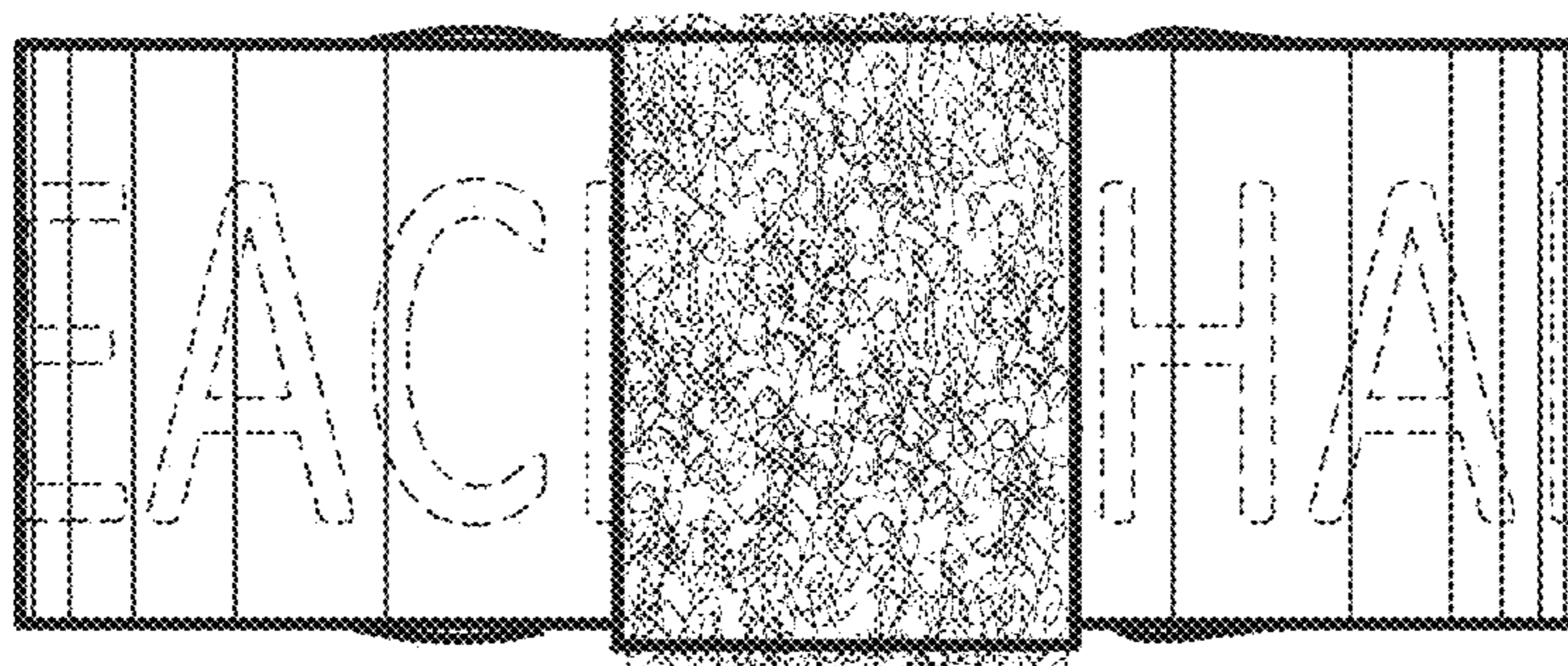


FIG. 12